



FLAT PANEL MICATHERMIC HEATER

USER MANUAL
Model # HGW-308




3057224

PLEASE SAVE THESE INSTRUCTIONS

Table of Contents

INTRODUCTION.....	3
Special Features.....	3
Specifications.....	3
HEATER DIAGRAM.....	4
ASSEMBLY.....	5
Remove Packaging.....	5
Installation.....	6
IMPORTANT SAFEGUARDS.....	7
OPERATION.....	8
CLEANING.....	10
STORAGE.....	10
TROUBLESHOOTING.....	10
WARRANTY.....	11

For warranty, technical support, customer service,
missing or defective parts, please call:
(888) 876-5387

FLAT PANEL MICATHERMIC HEATER

Introduction

Micathermic heat utilizes technology from both convection and reflective heat. The heater releases 80% convection and 20% reflective heat, distributing heat consistently and more evenly throughout the room. The heater radiates heat to warm surrounding objects, increasing the room temperature. As the surrounding objects absorb heat, the air temperature rises.

Nowadays, saving energy is very important. Our heater features an ECO function specifically designed for this reason. When the room temperature reaches the desired temperature, one-third of energy will be cut-off automatically.

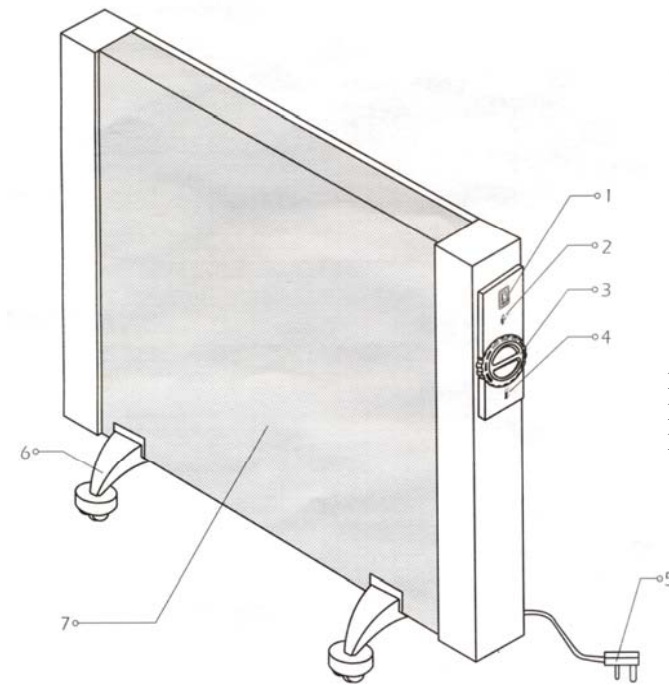
Special Features

- Heats instantly
- Economic, energy-saving function [ECO]
- Adjustable thermostat
- Power and temperature controlled light indicator
- Anti-freeze setting
- Overheat safety protection
- Lightweight
- Quiet
- Low temperature surface
- No dehumidifying

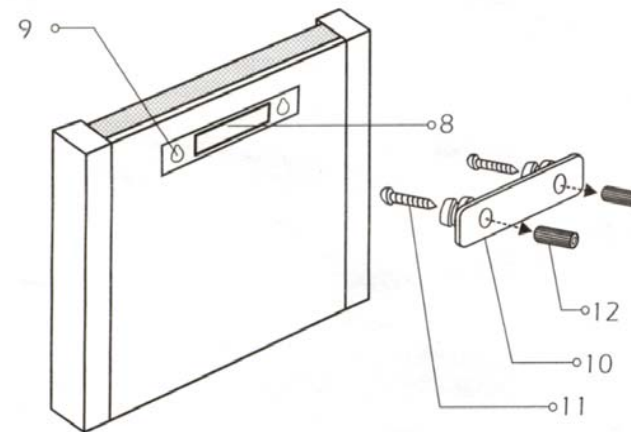
Specifications

Voltage Rating	120 V, 60Hz
Power Consumption	1500W
Unit Size	8.5 in. (L) x 22.5 in. (H) x 24.75 in. (W)
Unit Weight	11.5 lbs

Heater Diagram



1. Power Switch
2. ECO Green Light Indicator
3. Temperature Control Knob
4. Temperature Control Red Light Indicator
5. Power Supply Cord
6. Foot with Caster
7. Metal Grille
8. Built-in Handle
9. Mounting Hole
10. Mounting Support
11. Screws
12. Mounting Anchor for Wall Mounting

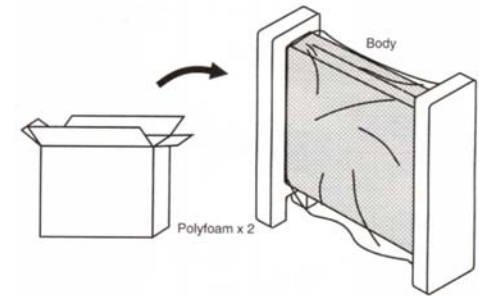


Assembly

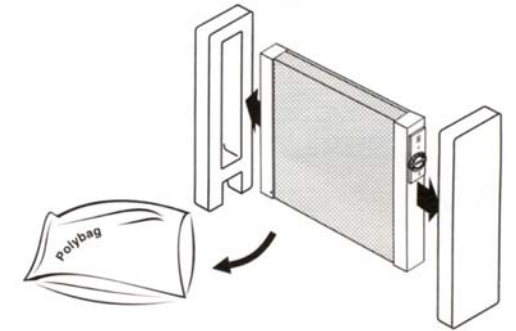
Remove Packaging

PLEASE READ ALL INSTRUCTIONS BEFORE OPERATING HEATER!

1. Remove the heater from the box.



2. Remove the poly foam from both ends of the heater, and remove the poly bag.

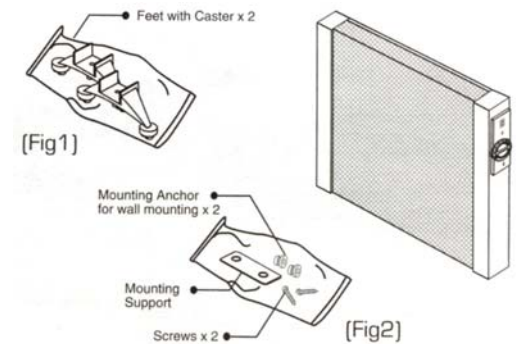


3. Remove the 2 remaining bags from the box.
One bag contains:
2 feet with casters. [Fig 1]

The other bag contains:
1 mounting support, 2 screws
and 2 mounting anchors for
wall mounting. [Fig 2]

4. Save the packaging for storing the heater while it is not in use or during summer months.

Note: If any part is damaged or missing, do not use or attempt installation. Contact customer service for a replacement.



Installation

Required Tools for Floor Use:

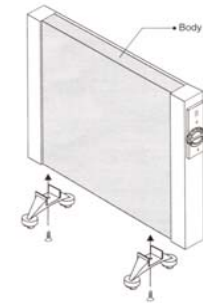
Phillips screwdriver (not supplied)

Estimated Assembly Time for Floor Use:

1 minute

Assembly Instructions for Floor Use:

Insert the feet and bolts onto the unit as shown in the diagram.



Required Tools for Wall Mounting:

Phillips screwdriver (not supplied), Drill (not supplied), Hammer (not supplied)

Mounting Instructions:

STEP 1

Using the mounting support as a guide, mark the first screw hole on the wall.

STEP 2

Move the mounting support, and drill the first screw hole.

STEP 3

Insert the first mounting anchor into the drilled hole.

STEP 4

Place the mounting support on the wall. Insert a screw through the mounting support and anchor. Tighten the screw lightly.

STEP 5

Use the other side of the mounting support to mark the second screw hole on the wall [approximately 5 7/16 in.].

STEP 6

Move the mounting support, and drill the second hole.

STEP 7

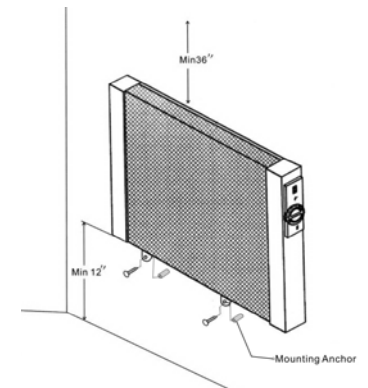
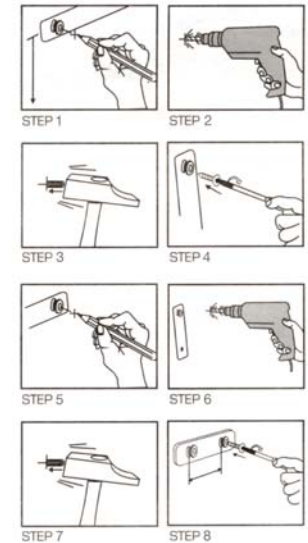
Insert the second mounting anchor into the drilled hole.

STEP 8

Place the mounting support on the wall. Insert the second screw through the mounting support and anchor. Firmly tighten both screws.

STEP 9

After mounting the heater, insert two screws into the bottom holes and secure to wall for safety purposes.



Important Safeguards

PLEASE READ ALL INSTRUCTIONS BEFORE OPERATING HEATER!

- The heater is hot when in use. To avoid burns, do not let bare skin touch hot surface. Use handles when moving this heater.
Keep combustible materials, such as drapery and other furnishings, at least 3 feet (0.9M) from the front of the heater and away from its sides and rear.
- Do not leave the heater unattended while it is in operation.
- Extreme caution is necessary when **any** heater is used by or near children or pets, or when the heater is left operating or unattended.
- Do not use outdoors. Never locate heater where it may fall into a bathtub or other water container.
- This heater has hot and arcing or sparking parts inside. Do not use in areas where gasoline, paint or flammable liquids are used or stored.
- Do not insert or allow foreign objects to enter any ventilation or exhaust opening. This may cause electric shock, fire, or damage to the heater.
- To prevent a possible fire, do not block air intakes or exhaust in any manner.
- Do not operate this appliance on soft surfaces. The air inlet openings can become blocked.
- Avoid using an extension cord. The extension cord may overheat and cause a risk of fire. If an extension cord must be used, the conductor wire inside the cord must be No.14 AWG minimum size and rated not less than 1875 watts.
- Do not run cord under carpet, and do not cover the cord with throw rugs, runners, or the like. Place the cord away from traffic areas where it will not be tripped over.
- The heater must not be placed immediately below an outlet.
- Do not operate any heater with a damaged cord or plug, after the heater malfunctions, or has been dropped or damaged in any manner. If the heater is damaged, it must be serviced by the manufacturer or a similarly qualified service agent to ensure safety.
- Connect the heater to properly grounded outlets only.
- Use this heater only as described in this manual. Any other use not recommended by the manufacturer may cause fire, electric shock, or injury to persons.
- Do not use this heater with a programmer, timer or any other device that switches the heater on automatically, since a fire risk exists if the heater is covered or positioned incorrectly.

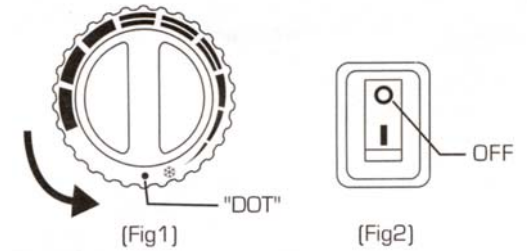
WARNING: This heater is equipped with a polarized plug (one blade is wider than the other). The plug is intended to fit into a power outlet only one way, with the wide blade in the wide slot. This is a safety feature, if you are unable to insert the plug fully into the outlet, try reversing the plug. If the plug still does not fit, contact a qualified electrician. **DO NOT DEFEAT THE SAFETY PURPOSE OF THE POLARIZED PLUG.**

Operation

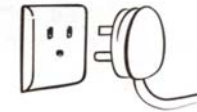
PLEASE READ ALL INSTRUCTIONS BEFORE OPERATING HEATER!

1. Make sure the Temperature Control Knob is at the "DOT" position. [Fig 1]

Make sure the power switch is at the off position. [Fig 2]



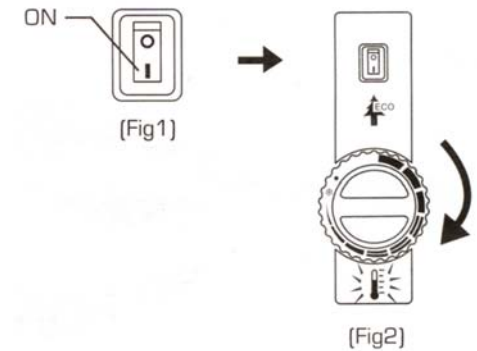
2. Plug the power cord into a suitable electrical outlet. [Rated not less than 115 volt].



3. Turn the power switch to the "ON" position. Adjust the Temperature Control Knob clockwise until the Red Light Indicator turns on [Fig 2]. The Temperature Control should begin.

Note: The Red Light Indicator will turn off when the room reaches the desired temperature. After a while, as the room temperature falls, the heater will turn on again and release heat until the room temperature rises to the desired temperature. Desired room temperature is maintained automatically by this procedure.

You can adjust the temperature control knob to increase or decrease the room temperature as desired by turning the knob clockwise or counter-clockwise direction as shown in Fig 2.



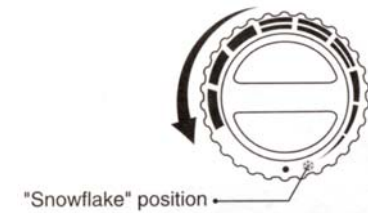
4. Comfortable Zone

To obtain a desirable temperature, there is an area indicated on the Temperature Control Knob known as the "Comfortable Zone." You can adjust the knob to select a temperature within this range.



5. Anti-Freeze Setting

This setting keeps the temperature of the surrounding area above freezing to prevent pipes from breaking. To do this, simply plug in the heater and turn the Temperature Control Knob to the "Snowflake" position. The heater will automatically turn on when the ambient temperature drops below 41°F.



6. Economic Energy Saving Function (ECO)

When the room temperature reaches a certain point, the ECO Green Light will switch on, indicating that one-third of the power has been cut-off automatically to save energy. [our 1500 Watt heater will work on 1000 Watts]



7. Overheat Safety Protection

The heater comes equipped with overheat safety protection, so it can detect if it is overheating and will automatically shut off. When the unit temperature falls again, power will be resumed. To avoid overheating and potential risk of fire, DO NOT cover the heater.



Cleaning

- Before cleaning, turn off the heater, unplug the power cord and allow the heater to cool.
- Do not immerse the power cord, plug or heater in water or other liquid or pour water or other liquid over the heater.
- Use a vacuum cleaner to remove dust and lint from the metal grille of the heater.
- Wipe the heater with a dry cloth to remove dust and a damp cloth [not wet] to clean off stains.
- Do not use detergents, abrasive cleaning powder or polish of any kind on the body of the heater, as these can damage the finish.

Storage

- Store the heater in a cool dry location.
- To prevent dust and dirt build up, use the old packaging to repack the unit.

Troubleshooting

HEATER WILL NOT HEAT

1. Make certain the heater is plugged in and turned on.
2. Make certain the Temperature Control Knob is in the right position.
3. Make certain there are no objects covering the unit.

HEATER WILL NOT TURN ON

1. Make certain the power cord is plugged into an electrical outlet.
2. Make certain the electricity or main fuse is working.
3. Make certain the power switch is in the ON position.
4. Make certain the heater is on the Thermostat Control condition [ensure the Light Indicator is on].

Printed in China

WARRANTY

One Year Limited Warranty

Soleus International Inc. warrants the accompanying Soleus Air HGW-308 to be free of defects in material and workmanship for the applications specified in its operation instruction for a period of ONE (1) year from the date of original retail purchase in the United States or Canada.

If the heater exhibits a defect in normal use, Soleus International Inc. will, at its option, either repair or replace it, free of charge within a reasonable time during the warranty period.

As a condition to any warranty service obligation, the consumer must present this Warranty Certificate along with a copy of the original purchase invoice or sales receipt.

THIS WARRANTY DOES NOT COVER:

- 1) Damage, accidental or otherwise, to the heater while in the possession of a consumer not caused by a defect in material or workmanship.
- 2) Damage caused by consumer misuse, tampering, or failure to follow the care and special handling provisions in the instructions.
- 3) Damage to the finish of the case, or other appearance parts caused by wear.
- 4) Damage caused by repairs or alterations of the heater by anyone other than those authorized by Soleus International Inc.
- 5) Freight and Insurance cost for the warranty service.

ALL WARRANTIES, INCLUDING ANY IMPLIED WARRANTY OF MERCHANT ABILITY ARE LIMITED TO ONE-YEAR DURATION OF THIS EXPRESS LIMITED WARRANTY. **SOLEUS INTERNATIONAL INC. DISCLAIMS ANY LIABILITY FOR CONSEQUENTIAL OR INCIDENTAL DAMAGES AND IN NO EVENT SHALL SOLEUS INTERNATIONAL INC'S LIABILITY EXCEED THE RETAIL VALUE OF THE HEATER FOR BREACH OF ANY WRITTEN OR IMPLIED WARRANTY WITH RESPECT TO THIS HEATER.**

This warranty covers only new products purchased from our authorized dealers or retailers. It does not cover used, salvaged, or refurbished products.

As some states do not allow the limitation or exclusion of incidental or consequential damages, or do not allow limitation on implied warranties, the above limitations and exclusions may not apply to you. This warranty gives you specific legal rights, and you may also have other rights that vary from state to state.

For Warranty, Technical Support, Customer Service, Missing or Defective Parts

Please Call (888) 876-5387

Or Write To:

Soleus International Inc.
9451 Telstar Ave.
El Monte, CA 91731 USA
www.soleusair.com