



16" Stand Fan with Remote Control

Model No: FS1-40R-33
Operating Instructions



FS1-40R-33

© 2006 Soleus Air International

Thank you for choosing a Soleus Air 16” Stand Fan. This owner’s manual will provide you with valuable information necessary for the proper care and maintenance of your new product. Please take a few moments to thoroughly read the instructions and familiarize yourself with all the operational aspects of your new fan.

For your own records, please attach a copy of your sales receipt to this manual. Also, write the store name/location, date purchased, and serial number below:

Store Name: _____

Location: _____

Date Purchased: _____

Serial Number (located on back of unit): _____

IMPORTANT INSTRUCTIONS

1. When using this electric unit, basic safety precautions should always be followed to reduce the risk of fire, electric shock, and injury to persons, including the following:
2. Read ALL instructions before using this unit.
3. Use only for intended household use as described in this manual.
4. Plug the fan directly into a 120 V A/C electrical outlet.
5. Never insert your fingers, pencils, or other objects through the fan grill during operation.
6. The fan should be used on a stable and level surface.
7. Do not expose the fan to excessive heat or humidity. This could cause damage to the electrical components.
8. Do not immerse in any type of liquid. Do not use near water.
9. The fan should be kept out of the reach of children. Close supervision is necessary when the fan is used by or near children.
10. To reduce the risk of fire or explosion, do not store or use gasoline or other flammable vapors or liquids in the vicinity of the fan.
11. Do not operate this or any appliance with a damaged cord, if the unit malfunctions, or if it has been dropped or damaged in any manner. Connect to properly polarized outlets only.
12. Do not cover the cord or place near heat sources. Keep the cord away from high traffic areas, and do not submerge in water.
13. Unplug the fan before moving, cleaning or making repairs. NOTE: If for any reason this unit requires service, return appliance to manufacturer or a similarly qualified service agent to ensure safety.
14. To reduce the risk of fire or electric shock, do not use this fan with any solid-state speed control device.
15. To disconnect, grip plug and pull from wall outlet. Never pull on the cord to unplug.
16. For indoor use only.

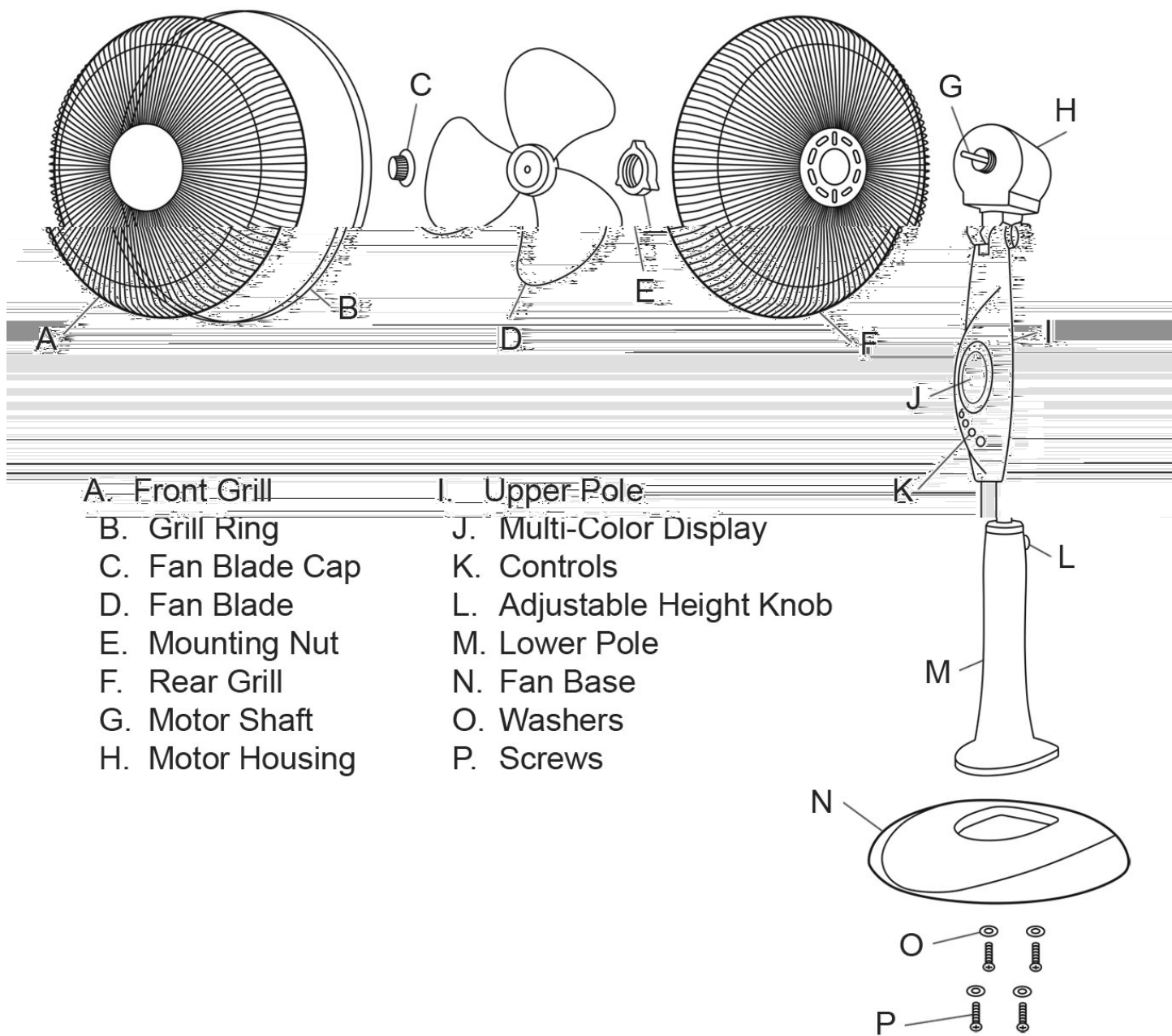
WARNING : This fan is equipped with a polarized plug (one blade is wider than the other). The plug is intended to fit into a power outlet only one way, with the wide blade in the wide slot. This is a safety feature; if you are unable to insert the plug fully into the outlet, try reversing the plug. If the plug still does not fit, contact a qualified electrician.

DO NOT DEFEAT THE SAFETY PURPOSE OF THE POLARIZED PLUG.

TECHNICAL SPECIFICATIONS

Voltage Rating	115V, 60Hz
Power Consumption	55W
Unit Size	17.50 in. (W) x 15.75in. (D) x 51.13 in. (H)
Unit Weight	14.77 lbs

PRODUCT DIAGRAM



A. Front Grill

B. Grill Ring

C. Fan Blade Cap

D. Fan Blade

E. Mounting Nut

F. Rear Grill

G. Motor Shaft

H. Motor Housing

I. Upper Pole

J. Multi-Color Display

K. Controls

L. Adjustable Height Knob

M. Lower Pole

N. Fan Base

O. Washers

P. Screws

ASSEMBLY INSTRUCTIONS

Tools required: Phillips screwdriver (not included)
Remove the fan and packaging materials from the box.

Base Assembly

1. Attach the Lower Pole (M) to the Fan Base (N) with the included Screws (P) and Washers (O).
2. Attach the Upper Pole (I) to the Lower Pole (M) and tighten the screw located on the bottom of the Upper Pole (I).

Fan Head Assembly

1. Unscrew (turn clockwise) the Fan Blade Cap (C) if it attached to the Motor Shaft (G).
Note: Fan Blade Cap (C) may be included in a plastic bag and not attached to the Motor Shaft (G).
2. Unscrew (turn counter-clockwise) the Mounting Nut (E) from the Motor Shaft (G).
3. Position the Rear Grill (F) over the Motor Shaft (G), fitting the holes in the Rear Grill (F) over the knobs that protrude from the motor. Make sure the grill fits securely against the motor housing.
4. Screw-on (turn clockwise) the Mounting Nut (E) to secure the Rear Grill (F) to the Motor Housing (H).
5. Attach the Fan Blade (D) to the Motor Shaft (G) by aligning the slots on the Fan Blade (D) with the bars on each side of the Motor Shaft (G).
6. Secure the Fan Blade (D) onto the Motor Shaft (G) by turning the Fan Blade Cap (C) counter-clockwise.
7. Align the Front Grill (A) with the Rear Grill (F).
8. Place the Grill Ring (B) on the outer most edge of the Grill and secure using a Phillips head screwdriver.

OPERATING INSTRUCTIONS

Using Fan Controls

1. Set the fan on a stable, level surface.
2. Turn the fan on by pressing the POWER/SPEED button located on the control panel below the Multi-Color display, or the POWER/SPEED button on the Remote Control.
3. Adjust the speed setting by pressing the POWER/SPEED on the control panel or remote control.
4. Pressing the MODE button on either the fan or the remote will choose the desired wind mode: Standard, Sleep, & Natural. In standard mode the fan operates at a steady speed. In Sleep mode the fan decreases speed in the middle of the oscillation pattern. Natural mode simulates the wind by randomly alternating the fan speed.
5. To oscillate the fan head, press the SWING button located on the fan or the remote.
6. This fan includes a 12 hour timer. To operate the timer, press the TIMER button (located on the fan & remote) until the desired time is visible on the Multi-Colored Display. Each button press will increase the time by 1 hour increments. Once the timer is set the words "TIMER" and "HR" will light up on the display.
7. To turn the fan off, press the POWER/SPEED button on the fan, or the remote control until the unit turns off.

Using the Auto-on Feature

1. First turn the fan on by pressing the POWER/SPEED button Set the fan on the fan control panel or remote control.
2. Once the fan is on, press the AUTO button located on the remote control. Please note, the Auto-on function is accessible by using the remote control only.
3. "AUTO" should now be displayed on the multi-color display along with the current room temperature. When the fan is in auto mode, it will vary speeds according to the room temperature. When the room temperature is below 68° the fan will be in standby mode (off). When the temperature is between 68° F and 74° F the fan will operate at low speed (1). When the temperature is between 75° F and 81° F the speed will increase to medium (2). The fan will operate at high speed (3) once the room temperature is equal to or greater than 82° F.

Adjusting Height and Fan Head Tilt

1. To adjust the height of the fan, turn the Adjustable Height Knob (L) counter-clockwise to loosen the stand. Adjust the fan to the desired height, then firmly tighten to secure into place.
2. To adjust the tilt on the Fan Head, loosen the knob below the Motor Housing and tilt the fan forward/back by pulling or pushing the top of the Fan Grill. The fan will make a clicking noise while being adjusted. Once the Fan Head is set to the desired tilt, tighten the knob to secure into place.

CLEANING & MAINTENANCE

1. Turn the fan off and unplug the unit.
2. Wipe the fan down with a damp cloth for most efficient operation.
3. Air dry the fan completely before use.
4. Never use abrasive cleaning agents or solvents. This may cause damage or deterioration to the surface of the unit.
5. Do not immerse the fan in any form of liquid. Do not allow water to drip on or into the fan motor housing.

Fan Blade Cleaning:

- Make certain the fan is unplugged. Unlock the metal clips on the front grill and remove the front grill. Use a Phillips screwdriver to loosen the securing screw and remove the fan blade.
- The fan blade and grill may be cleaned with a damp cloth and mild detergent.
- Reassemble the fan after the parts have dried completely. To do so, replace the fan blade, tighten the securing screw, and secure the front grill. Do not plug the fan into an electrical outlet until it is fully reassembled.

STORAGE

If the fan will not be used for a long period of time, store it in a cool, dry location when not in use. To prevent dust and dirt build-up, use the original packaging to repack the unit.

OVERHEAT PROTECTION

A thermostat is built-in to the motor to prevent overheating. If the fan temperature exceeds the limit on the thermostat, the fan will automatically shut-off to prevent overheating and protect the fan components from damage.

REMOTE CONTROL

The supplied remote uses 2 “AAA” batteries. The remote will work at a distance of roughly 25 feet, and an angle of 60°.

WARRANTY

O L

Soleus International Inc. warrants the accompanying Soleus Air FS1-40R-33 16" Stand Fan to be free of defects in material and workmanship for the applications specified in its operation instruction for a period of ONE (1) year from the date of original retail purchase in the United States.

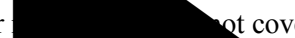
If the unit exhibits a defect in normal use, Soleus International Inc. will, at its option, either repair or replace it, free of charge within a reasonable time after the unit is returned during the warranty period.

As a condition to any warranty service obligation, the consumer must present this Warranty Certificate along with a copy of the original purchase invoice.

THIS WARRANTY DOES NOT COVER:

- Damage, accidental or otherwise, to the unit while in the possession of a consumer not caused by a defect in material or workmanship.
- Damage caused by consumer misuse, tampering, or failure to follow the care and special handling provisions in the instructions. This includes dents, accidental or otherwise, to the base and head of the unit.
- Damage to the finish of the case, or other appearance parts caused by wear.
- Damage caused by repairs or alterations of the unit by anyone other than those authorized by Soleus International Inc.
- Freight and Insurance cost for the warranty service.

ALL WARRANTIES, INCLUDING ANY IMPLIED WARRANTY OF MERCHANTABILITY ARE LIMITED TO ONE-YEAR DURATION OF THIS EXPRESS LIMITED WARRANTY. **SOLEUS INTERNATIONAL INC.** DISCLAIMS ANY LIABILITY FOR CONSEQUENTIAL OR INCIDENTAL DAMAGES AND IN NO EVENT SHALL SOLEUS INTERNATIONAL INC'S LIABILITY EXCEED THE RETAIL VALUE OF THE UNIT FOR BREACH OF ANY WRITTEN OR IMPLIED WARRANTY WITH RESPECT TO THE UNIT.

This warranty covers only new products purchased from our authorized dealers or  not cover used, salvaged, or refurbished products.

As some states do not allow the limitation or exclusion of incidental or consequential damages, or do not allow limitation on implied warranties, the above limitations and exclusions may not apply to you. This warranty gives you specific legal rights, and you may also have other rights that vary from state to state.

F T S & S
Please Call (888) 876-5387

Or Write To:
Soleus International Inc.
9451 Telstar Ave.
El Monte, CA 91731 USA
www.soleusair.com