

Thank you for purchasing the Valore Touch LED Table Lamp (V-LTL9303)

Shine light where you need it with this fashionable LED Table lamp. Touch dimmer switch allows you to easily control the brightness with three light level intensities. Ideal for a home office or side table for added task lighting.

Important: Please read the user manual thoroughly before using your table lamp.

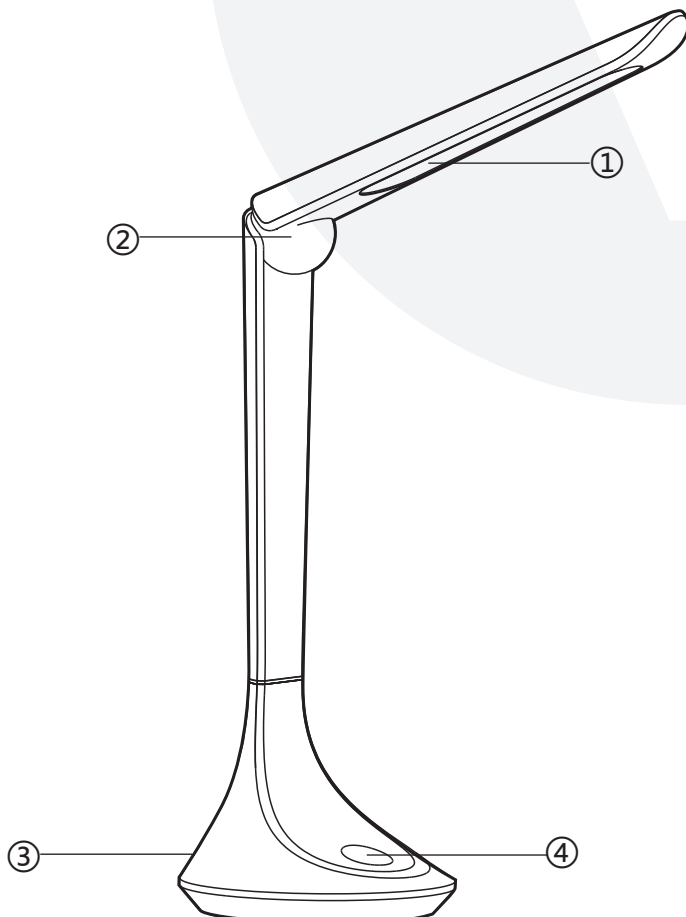
Specifications:

- Input: 5V/1A
- Power: 4.5W
- LED: 2835 LED Chip
- Illumination: 130lm
- Colour temperature: 4000k
- Material: ABS
- Dimensions (L x W x H): 105 x 105 x 280mm
- Weight: 504g

Package Contents:

- Touch LED table lamp
- USB charging cable

UNDERSTANDING THE PRODUCT

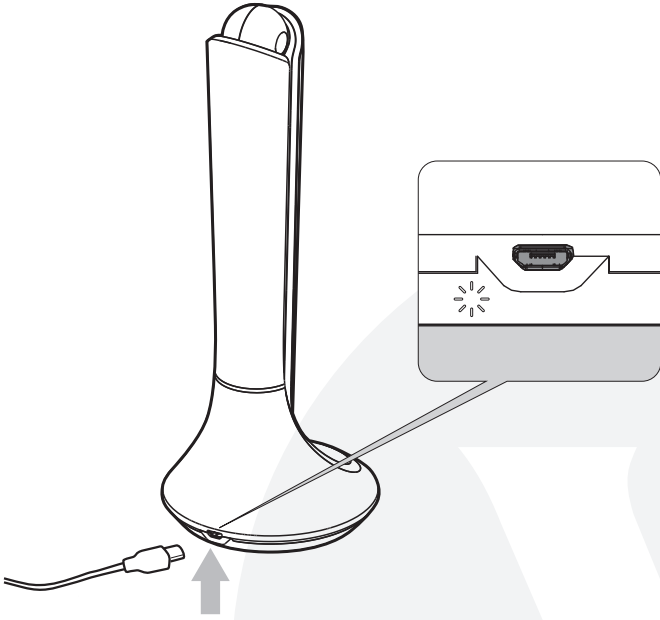


- ① LED light
- ② Rotating shaft
- ③ Micro USB input
- ④ Touch switch

START USING THE TOUCH LED TABLE LAMP

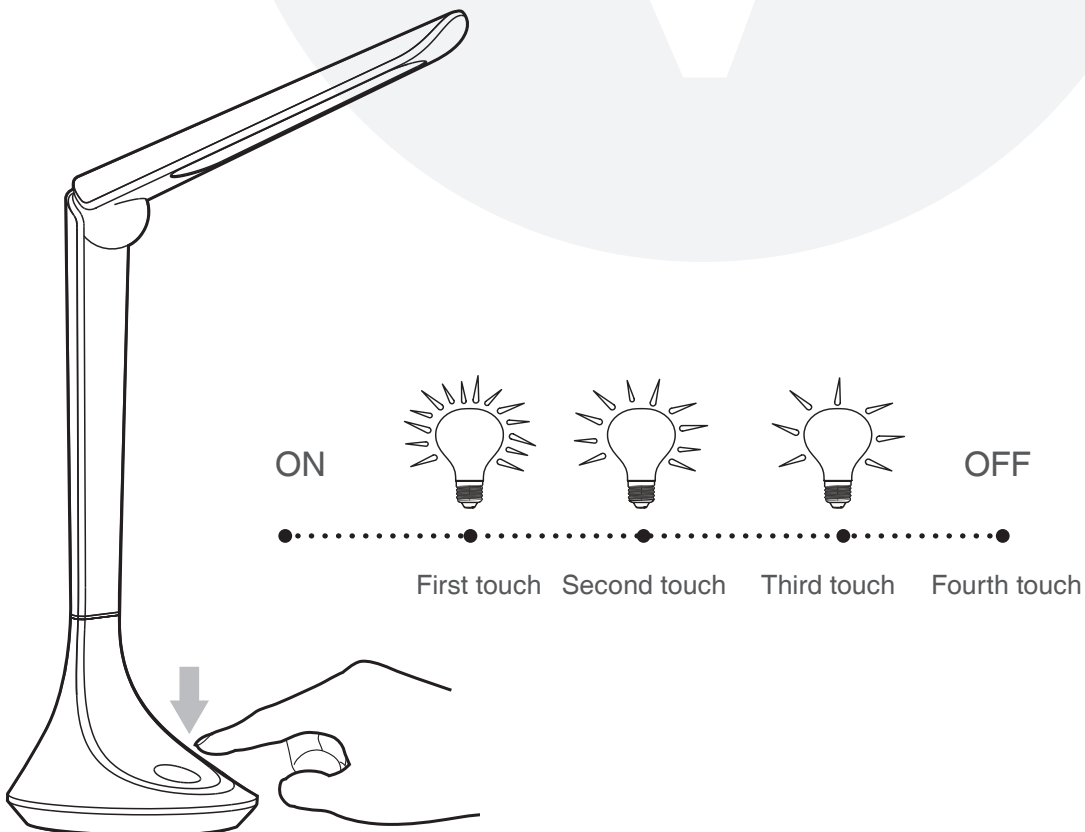
1) Charging the touch LED Table Lamp (1.0A USB adapter to wall plug)

Make sure that the touch LED table lamp is turned off before charging. Plug the micro USB cable into the charging port located at the bottom back of the touch LED table lamp and connect it to a USB adapter (1.0A) to a wall plug. A red LED indicator will turn on when the table lamp is charging. The LED light will turn off when table lamp is fully charged.



2) Turning On/Off and adjusting the table lamp brightness

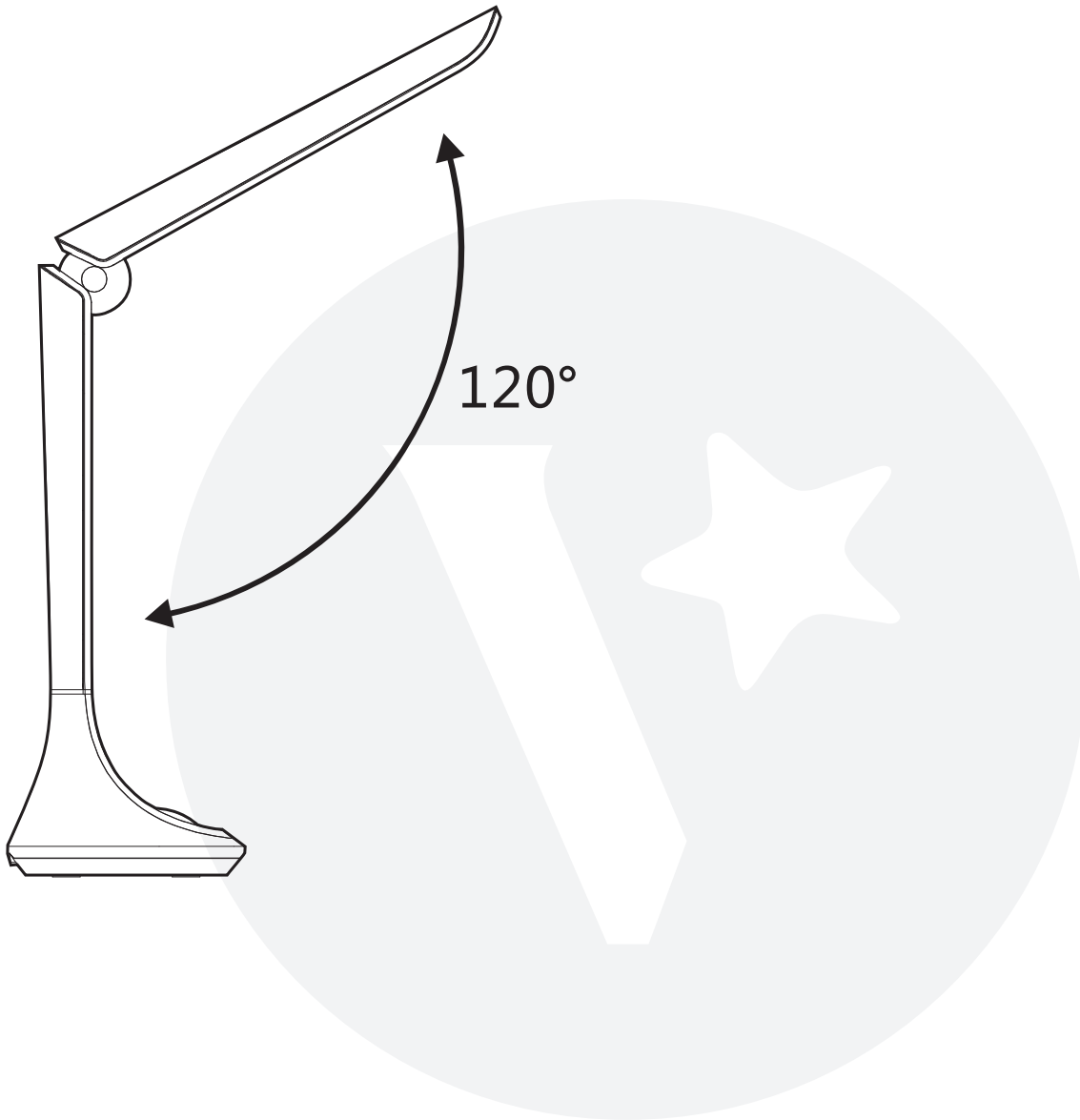
Gently touch the touch switch to turn ON and OFF or to adjust the brightness of the LED table lamp.



4) Proper use of table lamp

Do not exceed the safety angles as shown below. Do not adjust the angle of the table lamp too often, as doing so will damage and wear off the joints of the table lamp, causing it to be loose.

Do not exert too much force on the lamp head to avoid toppling the table lamp causing damage.



TECHNICAL SUPPORT & WARRANTY

- For Technical Support, email us at v.info@valore.sg.
- For Warranty Registration, visit www.valore.sg.

Cautions:

Read all the instructions and warnings carefully prior to using this product.

- Do not store the table lamp in a high temperature environment.
- Do not place the table lamp near a fire or other excessively hot environments.
- Do not expose its table lamp to moisture or submerge it in liquid. Keep table lamp dry at all times.
- Do not attempt to charge the table lamp using any other method or connection other than the table lamp's provided charging cable.
- Do not disassemble this table lamp or attempt to repair or modify it in any manner.
- Be cautious of excessive drops, bumps, abrasions or other impacts to this table lamp. If there is any damage to the table lamp such as dents, punctures, tears, deformities or corrosion, stop using the table lamp and contact us immediately via email at v.info@valore.sg, or return this product to the store where you have purchased it from.
- If the product produces an abnormal smell, high temperature (low temperature during normal use), discolours or changes shape abnormally, stop using the product and contact us immediately via email at v.info@valore.sg.

DISCLAIMER & TRADEMARKS

All information, trademarks, logos, graphics, and images ("Materials") provided on this user manual are copyrighted or trademarked and are the property of Valore Lifestyle Pte Ltd. Any unauthorized use of any material contained on the instruction manual may violate copyright laws, trademark laws, laws of privacy and communications statutes.

The trademarks, service marks and logos used and displayed in the Materials are registered and unregistered trademarks and service marks of Valore and others. All other registered and unregistered company names, product names and marks mentioned herein the ("Materials") are the property of their respective owners and may be trademarks or registered trademarks.