

VARYTEC

User manual



Prestige I

Table of contents

1. Safety instructions	3
1.1. FOR SAFE AND EFFICIENT OPERATION	3
2. Technical Information	4
3. DMX Mode	4
3.1. DMX chart	4
4. Control of the Menu	6
4.1. Menu structure	6
4.2. Description of the Menu	7
5. Master Slave configuration	8
6. Sound to Light	8
7. Technical Data	9
7.1. Power daisy chain	9

1. Safety instructions



- This device is suitable for indoor use only.
- All modifications to the device will void the warranty.
- Repairs are to carry out by skilled personnel only.
- Use only fuses of the same type and original parts as spare parts.
- Protect the unit from rain and humidity to avoid fire and electric shocks.
- Make sure to unplug the power supply before opening the housing.

1.1. FOR SAFE AND EFFICIENT OPERATION

Be careful with heat and extreme temperature

Avoid exposing it to direct rays of the sun or near a heating appliance.

Not put it in a temperature bellow 32°F /0°C, or ex ceeding 104°F /40°C.

Keep away from humidity, water and dust

Do not place the set in a location with high humidity or lots of dust.

Containers with water should not be placed on the set.

Keep away from sources of hum and noise

Such as transformer motor, tuner, TV set and amplifier.

To avoid placing on un-stable location

Select a level and stable location to avoid vibration.

Do not use chemicals or volatile liquids for cleaning

Use a clean dry cloth to wipe off the dust, or a wet soft cloth for stubborn dirt.

If out of work, contact sales agency immediately

Any troubles arose, remove the power plug soon, and contact with an engineer for repairing, do not open the cabinet by yourself, it might result a danger of electric shock.

Take care with the power cable

Never pull the power cable to remove the plug from the receptacle, be sure to hold the plug. When not using the device for an extended period of time, be sure to disconnect the plug from the receptacle.

Important: Damages caused by the disregard of this user manual are not subject to warranty. The dealer will not accept liability for any resulting defects or problems. Make sure the electrical connection is carried out by qualified personnel. All electrical and mechanical connections have to be carried out according to the European safety standards.

2. Technical Information

- RGBW LED
- DMX Mode (4Ch or 10Ch)
- Sound to light mode via internal mic
- 12 internal programs
- Digital display for addressing and functions
- Power and DMX can be daisy chained

3. DMX Mode

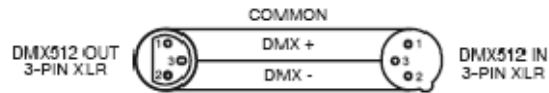
To use the DMX Mode you have to adjust the address first, as described a few articles below. The item needs 4 channels or 10 Channels, which you can adjust by using your faders of your DMX console. You can adjust as follows:

3.1. DMX chart

CH1	CH2				CH3		CH4		
CH1	CH2	CH3	CH4	CH5	CH6	CH7	CH8	CH9	CH10
Mode	Pattern		Chase		Pattern	Strobe	Chase	Speed	
0 – 119	000 – 009	Blackout	000 – 009	Blackout	0 – 9		0 – 255		0 – 255
Pattern	010 – 019	Pattern 1	010 – 019	Chase 1	Blackout		Speed	Dimmer	
	020 – 029	Pattern 2	020 – 029	Chase 2					
	030 – 039	Pattern 3	030 – 039	Chase 3					
	040 – 049	Pattern 4	040 – 049	Chase 4					
120 – 239	050 – 059	Pattern 5	050 – 059	Chase 5	10 – 255	Strobe	to	fast	
	060 – 069	Pattern 6	060 – 069	Chase 6					
	070 – 079	Pattern 7	070 – 079	Chase 7					
	080 – 089	Pattern 8	080 – 089	Chase 8					
240 – 255 Stand Alone	090 – 099	Pattern 9	090 – 099	Chase 9	Slow	to	fast		
	100 – 109	Pattern 10	100 – 109	Chase 10					
	110 – 119	Pattern 11	110 – 119	Chase 11					
	120 – 129	Pattern 12	120 – 129	Chase 12					
	130 – 139	Pattern 13	130 – 139	Chase 13					
	140 – 149	Pattern 14	140 – 149	Chase 14					
	150 – 159	Pattern 15	150 – 159	Chase 15					
	160 – 169	Pattern 16	160 – 169	Chase 16					
	170 – 179	Pattern 17	170 – 179	Chase 17					
	180 – 189	Pattern 18	180 – 189	Chase 18					
	190 – 199	Pattern 19	190 – 199	Chase 19					
	200 – 209	Pattern 20	200 – 209	Chase 20					
210 – 219	Pattern 21	210 – 219	Chase 21						
220 – 229	Pattern 22	220 – 229	Chase 22						
230 - 239	Pattern 23	230 - 239	Chase 23						
240 – 249	Pattern 24	240 – 249	Chase 24						
250 - 255	Pattern 25	250 - 255	Chase 25						

If you use cables longer then 100m you should put in a terminator at the last item in your daisy chain!
Use DMX cables with a 120Ohms shield only! All Plugs should use XLR connectors!

The connectors configuration is as follows:



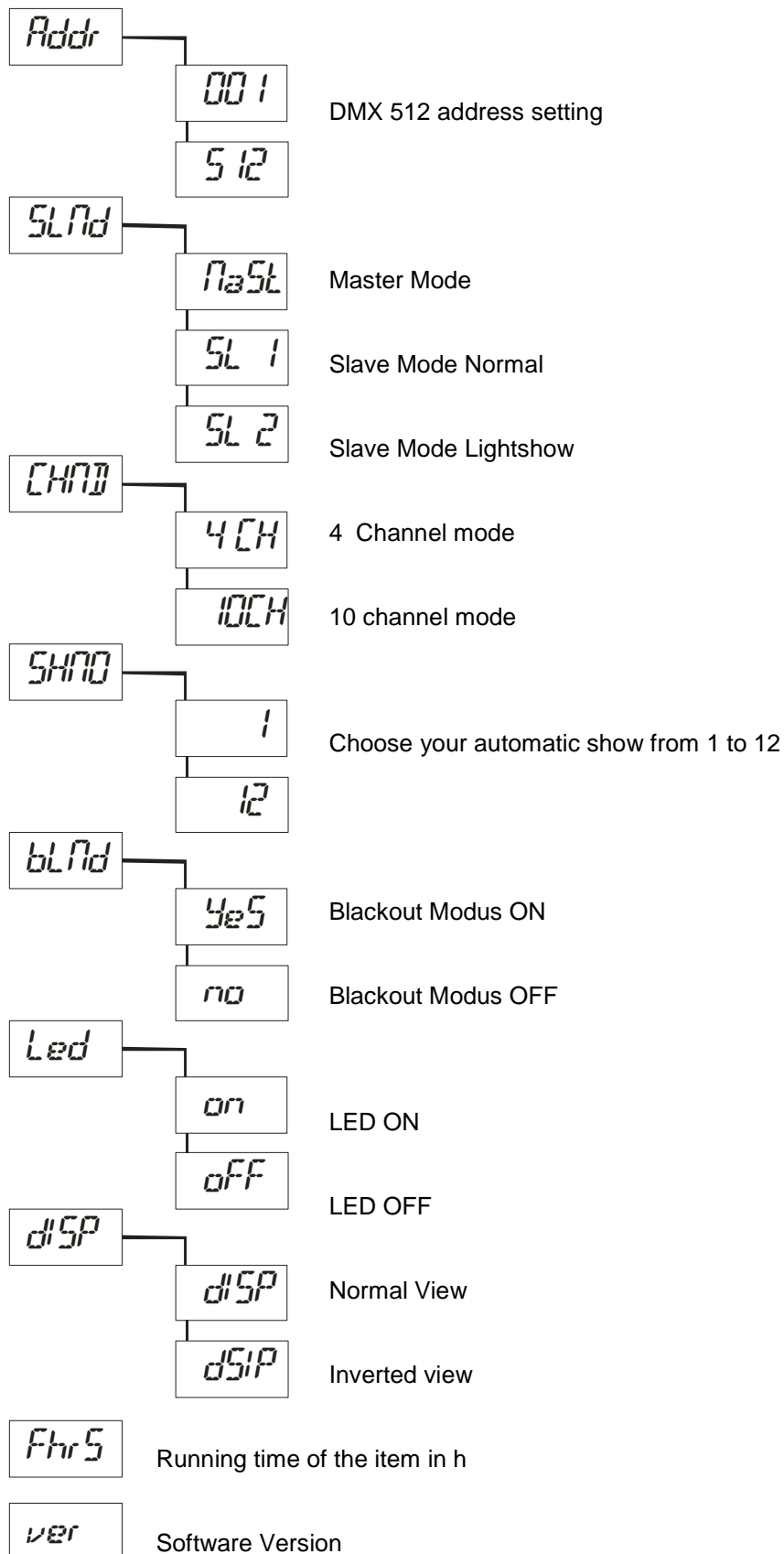
XLR Pin Configuration
Pin 1 = Ground
Pin 2 = Data Compliment (negative)
Pin 3 = Data True (positive)

If you want to produce a DMX terminator on your own, you have to insert a Terminator at the plug. This should have a size of 120Ohms and 1/4W. It has to be inserted between Pin 2 (Data -) and Pin 3 (Data +).



4. Control of the Menu

4.1. Menu structure



4.2. Description of the Menu

Addr DMX address setting

1. Push the UP/DOWN buttons until the display shows Addr.
2. Push ENTER
3. 1 appears in the display blinking. With the UP/DOWN buttons you can no adjust the DMX address from 1 to 512
4. Push ENTER to confirm

SLNd Master Slave Settings

1. Push the UP/DOWN buttons until the display shows SLNd.
2. Push ENTER
3. Use the UP/DOWN buttons to choose from MAST, SL1 and SL2.
4. Push ENTER to confirm

CHNd channel adjust

1. Push the UP/DOWN buttons until the display shows CHNd.
2. Push ENTER
3. Use the UP/DOWN buttons to choose from CH4 or CH10.
4. Push ENTER to confirm

SHNd choose your show!

1. Push the UP/DOWN buttons until the display shows SHNd.
2. Push ENTER
3. Use the UP/DOWN buttons to choose from the automatic shows 1 to 12.
4. Push ENTER to confirm
5. Attention! This mode works only in master mode!

bLNd Blackout or Stand By Mode

1. Push the UP/DOWN buttons until the display shows bLNd.
2. Push ENTER
3. Use the UP/DOWN buttons to choose from on and oFF
4. Push ENTER to confirm

Led LEDs On and OFF

1. Push the UP/DOWN buttons until the display shows Led.
2. Push ENTER
3. Use the UP/DOWN buttons to choose from on and oFF
4. Push ENTER to confirm

dISP inversion of the Display

1. Push the UP/DOWN buttons until the display shows dISP.
2. Push ENTER
3. Use the UP/DOWN buttons to choose from dISP and dSIP, in this case dSIP means the display is inverted and turned 180°
4. Push ENTER to confirm

FhrS Zeigt die Laufzeit des Gerätes an

1. Push the UP/DOWN buttons until the display shows SLNd.
2. Push ENTER
3. Now the display shows the running time of the item.

Ver Software Version auslesen

1. Push the UP/DOWN buttons until the display shows SLNd.
2. Push ENTER
3. Now the display shows the actual software version

5. Master Slave configuration

If you want to daisy chain and control more than one item you can use the Master Slave Mode. To do so you have to daisy chain your items as you would do when you want to set up a dmx chain. You can use max 16 items for this mode. The first item in line is the master and the other items will react according to him. The master item can be set up to the desired program or mode and the others will follow. The slave items should be set up as follows.

1. Push the Menu button as often until you see SLNd in the display. Push Enter to confirm.
2. Now choose the desired Slave mode and confirm again with ENTER.
3. The slave item will now react according to the master.

6. Sound to Light

- Set up the sound to light mode to ON as described above.
- Now the item will react according to the sensitivity you set up at the mic.
- This option can be used with the master slave mode as well.

7. Technical Data

Voltage:	100V ~ 240V 50/60Hz
Power consumption:	50W max.
Fuse:	1A (120 & 230V)
Lightsource:	392 x LED RGBW 5mm (140xR, 105xG, 84xB, 63xW)
Beam Angle:	50°
Weight:	5,1kg
Measures:	400 x 315 x 255 mm
Modes:	DMX (4Ch or 10Ch) Automatic Mode Sound To Light Mode Master Slave Mode

7.1. Power daisy chain

At this item there is a power in and out. By using this you can daisy chain up to 12 of these items max. You have to use the IEC extensions to connect the items. Make sure never to use more than 12 items in a power chain that you don't overload the wires and items!

Importer:

B & K Braun GmbH

Industriestraße 1

D-76307 Karlsbad

www.bkbraun.com

info@bkbraun.com

