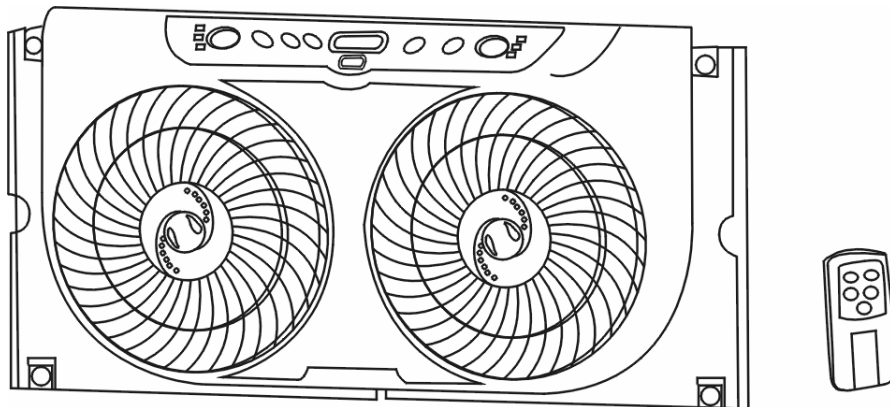


PELONIS

OWNER'S MANUAL

**9" Window Fan
With Remote Control
And Filter**

Model No.FW23-A4R



READ AND SAVE THESE INSTRUCTIONS

CAUTION

Read Rules for Safe Operation and Instructions Carefully.

IMPORTANT SAFETY INFORMATION

RULES FOR SAFE OPERATION

1. Never insert fingers, pencils, or any other object through the grille when fan is running.
2. Disconnect fan when moving from one location to another.
3. Disconnect fan when removing louvers and filters for cleaning.

OVERHEAT PROTECTION

The fan motor is equipped with a thermal fuse that turns the fan off in case of overheating. If overheating occurs, please send the fan in for repair (refer to the Service & Support sections of this manual).

WARNING

1. To reduce the risk of fire or electric shock, do not use this fan with any solid-state speed control device.
2. This appliance has a polarized plug (one blade is wider than the other). To reduce the risk of electric shock, this plug is intended to fit in a polarized outlet only one way. If the plug does not fit fully in the outlet, reverse the plug. If it still does not fit, contact a qualified electrician. Do not attempt to defeat this safety feature.
3. Do not leave the fan running unattended.
4. Changes or modifications to this unit not expressly approved by the party responsible for compliance could void the user's authority to operate the equipment.

NOTE: This equipment has been tested and found to comply with the limits for a Class B digital device, pursuant to Part 15 of the FCC Rules. These limits are designed to provide reasonable protection against harmful interference in a residential installation. This equipment generates, uses, and can radiate radio frequency energy and, if not installed and used in accordance with the instructions, may cause harmful interference to radio communications. However, there is no guarantee that interference will not occur in a particular installation. If this equipment does cause harmful interference to radio or television, which can be determined by turning the equipment off and on, the user is encouraged to try to correct the interference by one or more of the following measures:

- Reorient or relocate the receiving antenna.
- Increase the separation between the equipment and receiver.
- Connect the equipment into an outlet on a circuit different from that to which the receiver is connected.
- Consult the dealer or an experienced radio TV technician for help.

INSTALLATION INSTRUCTION

1. It is designed to fit a double-hung, slider and casement window with minimum openings of 25.35 inches wide and 12.7 inches high. It is recommended to use with your window screen in place.
2. It is almost fully assembled and ready for immediate installation.

- The package includes two plastics feet, which are needed when the fan is placed on a surface rather than in a window.

I USED IN A WINDOW

- Each side has two locks. Release the locks at either one side or two sides to pull out the extenders.
- Put the locks back to fix the extender at desired length.

II USED AT SURFACE

The fan can be used at a surface besides a window. In this situation, just snap the two plastic feet at the bottom of the fan body. No tools needed.

OPERATING INSTRUCTION

Plug it into an outlet. The red LED will display “ROOM” and two digits; this is the indoor temperature.

I PANEL OPERATION

The fan has two reversible motors. The rotation speed and direction of each motor are controlled independently using panel operation.

1. SPEED CONTROL

The three speeds—low (L), medium (M) and high (H) are controlled by the left/right speed buttons and showed by relevant left/right speed lights. For example, when the light beside “L” is on, the speed is low. When you press the “ON/SPEED1/OFF” / “ON/SPEED2/OFF” button, the left/right motor starts at low speed. Press the button repeatedly to select the speed; the sequence of speed is low, medium, high and off.

2. DIRECTION CONTROL

To exhaust, press the “DIRECTION1”/“DIRECTION2” button. Change the air direction by pressing the button repeatedly.

To make the air exchange, set the two motors to rotate in opposite direction.

3. TEMPERATURE SETTING

The fan can be set at any temperature from 65°F to 90°F. Press the “TEMP” button for several seconds until the temperature LED starts blinking. Now the word “SET” shows while “ROOM” disappears. Each time you press the “TEMP+” / “TEMP-” button, the temperature will increase/decrease by 1°F. When it reaches a desired temperature, press “TEMP” button to stop the blink and so the setting is confirmed. The two motors will be turned off automatically when the

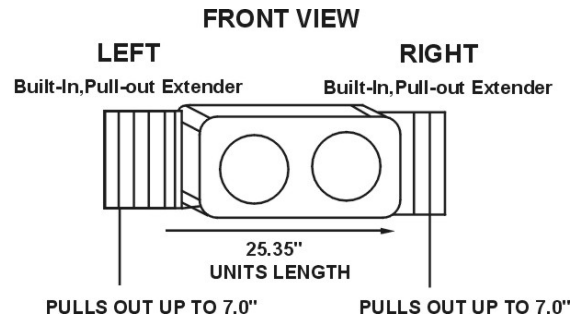
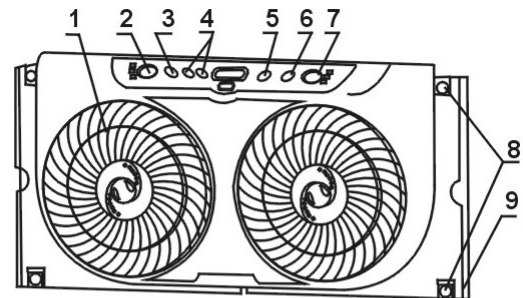


Figure 1



- 1 Grille Louver**
- 2 Left Speed Control**
- 3 Left Direction**
- 4 Temp- / Temp+**
- 5 Thermostat Control**
- 6 Right Direction**
- 7 Right Speed Control**
- 8 Extender Locks**
- 9 Extender**

Figure 2

indoor temperature reaches the setting. Once the temperature departs the setting, the fan will turn on automatically.

4. TURN-OFF

When the left/right motor is low/medium/high, press the "ON/SPEED1/OFF" / "ON/SPEED2/OFF" button three times/twice/once, then the left/right speed light is off and the left/right motor stops.

II REMOTE CONTROLLER OPERATION

The remote controller is more convenient than the panel except it cannot be used to set the temperature.

1. Press the "ON/OFF" button to start the fan. The two motors will take in the air at the low speed.
2. To change the speed of left/right motor, press "SPEED1"/"SPEED2" button. Repeat and then press to select the speed; the sequence of speed is low, medium and high.
3. To exhaust air, press the "DIRECTION1"/"DIRECTION2" button. Change the air direction by pressing the button repeatedly.
4. To stop the fan, press the "ON /OFF" button.

INSERT THE BATTERIES

Press down on the battery compartment cover and slide it out.

1. Insert the batteries (not included in the package), and make sure that the batteries are placed in the right way.
2. Slide back the battery cover.

Notes: Use size "AAA" alkaline or standard (carbon-zinc) batteries. Do not mix old and new batteries. Do not mix alkaline, standard (carbon-zinc), or rechargeable (nickel cadmium) batteries.

The batteries should be removed from the remote controller and disposed of safely before they are flat.

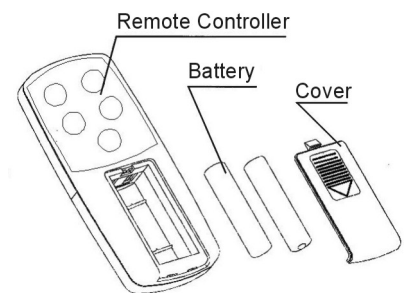


Figure 3

CLEANING

1. Be sure to unplug from the electrical supply source before cleaning.
2. Plastic parts should be cleaned with mild soap and damp cloth or sponge. Thoroughly remove soap film with clean water.
3. To disassemble each part, reverse the order of assembly.
4. Be sure not to let water or other liquid enter the inside of motor.
5. To clean the filter:
 - 1) Take of the small round plastic plate at the center of the louver by rotating it counter-clockwise.
 - 2) Use screwdriver to take off the screw and pick up the plastic washer (above) and metal washer.
 - 3) Take the louver and find the filter behind it. Clean them with mild soap and damp cloth or sponge. Thoroughly remove soap film with clean water.
 - 4) When the filter is dry, reverse the assembly order.

SPECIFICATIONS

Model No.: FW23-A4R

Voltage: 120v, 60Hz

SERVICE & SUPPORT

For usage tips about this fan, to register your fan warranty online, or to obtain information about other Pelonis Appliances products, please visit our website at www.pelonis.com.

In the event of a warranty claim or if service is required for this fan, please contact us at the following:

Toll Free: 866-876-4332 (M-F 9:00am to 5:00pm CST)

Email us at: service@pelonis.com

For questions or comments, please write to:

Pelonis Appliances, INC.

Att: Consumer Relations Department

2617N Great Southwest Parkway

Suite 100

Grand Prairie, TX 75050, USA

For your records, staple your sales receipt to this manual and record the following:

DATE OF PURCHASE: _____

PLACE OF PURCHASE: _____

(STAPLE SALES RECEIPT HERE)

**NOTE: PROOF OF PURCHASE IS REQUIRED FOR
ALL WARRANTY CLAIMS**

ONE(1) YEAR LIMITED WARRANTY

- Please read all instructions before attempting to use this product.
- Please return the Warranty Registration card within fifteen (15) days from the date of purchasing this product.

Pelonis Appliances, INC., referred to hereafter as Pelonis Appliances, warrants as limited herein to the original purchaser of retail that each new FW23-A4R Window Fan, shall be free of defects in material and workmanship for a period of one (1) year from the date of original purchase. This one (1) year warranty is limited to the fan motor, fan blades, and electric control circuit board.

In the event of malfunctions or failure of your FW23-A4R Window Fan, simply deliver or send the product, postage prepaid along with **PROOF OF PURCHASE**, within the warranty period of one (1) year, to Pelonis Appliances. Pelonis Appliances reserves the right to inspect the claimed defective part or parts to determine if the defect or malfunction complaint is covered by this warranty. Pelonis Appliances shall, within sixty (60) days after receipt of the product, at its option, repair and/or replace the defective part or parts free of charge. This warranty shall only cover defects arising from normal usage.

Pelonis Appliances assumes no responsibility whatsoever if the FW23-A4R Window Fan should fail during the warranty period by reasons of:

- Misuse, negligence, physical damage or accidents.
- Lack of maintenance (see cleaning).
- Repair by any unauthorized party during the warranty period.
- Damage caused by connection to an improper input voltage (see specifications).

Pelonis Appliances makes no further warranties or representations, express or implied except those contained herein. No representative or dealer is authorized to assume any other liability regarding the FW23-A4R Window Fan. The duration of the implied warranty granted under State law, including warranties of merchantability and fitness for particular purpose are limited in duration should the duration of the express warranty grant it hereunder. Pelonis Appliances shall in no event be liable for direct, indirect, special or consequential damages.

Some states do not allow limitations on how long an implied warranty lasts, and/or the above limitations or exclusion may not apply to you. This warranty gives you specific legal rights and you may have other rights, which vary from state to state.

Should your FW23-A4R Window Fan fail to operate under the terms of this limited warranty, contact Pelonis Appliances at 866-876-4332 (M-F 9:00am to 5:00pm CST).