



ULTRASlimline

4 SPEED TOWER FAN

## Instruction Manual

Model: 10111 (with remote-control)

**Voltage: 120V AC**

**Frequency: 60 HZ**

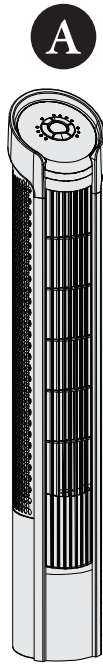
**Current: 0.6 A**



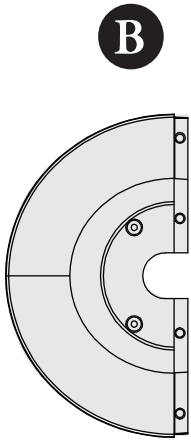
PLEASE READ AND SAVE THESE INSTRUCTIONS

© 2010 Seville Classics Inc. (800)-323-5565 or (310)-533-3800  
[www.sevilleclassics.com](http://www.sevilleclassics.com)

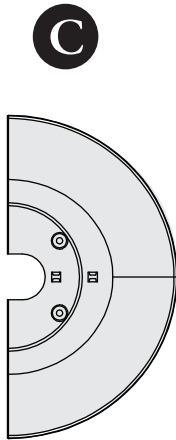
## Parts List



FAN-Body



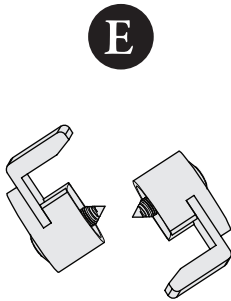
BASE-Front



BASE-Back



Fan-Body SCREWS  
(Gold Screws)



Base SCREWS  
and CLIPS  
(White Clips)

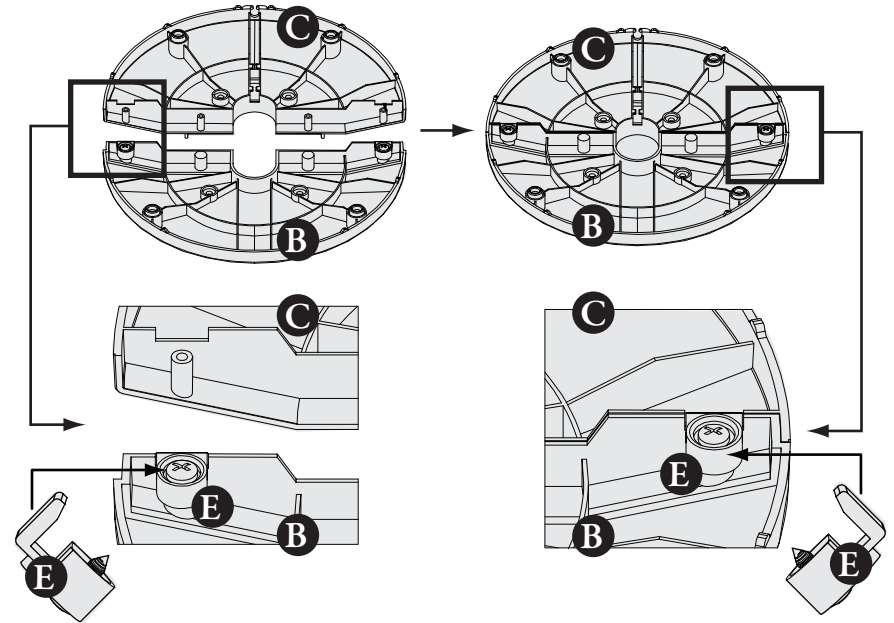


Remote Control

## Fan Assembly

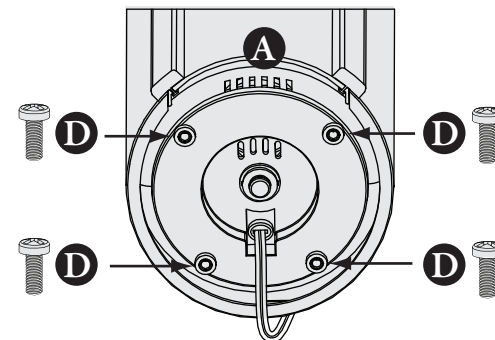
### STEP 1

Turn the base upside down. Unscrew the 2 base SCREWS and base CLIPS **E** from posts on the BASE-back **C**. Firmly snap the BASE-front **B** onto the BASE-back **C** by aligning the four holes onto the four posts. Replace the SCREWS and CLIPS **E** so that the clips wraps over the BASE-back **C** and tighten.



### STEP 2

Remove the 4 SCREWS **D** from the center post on the bottom of the FAN - body **A**.

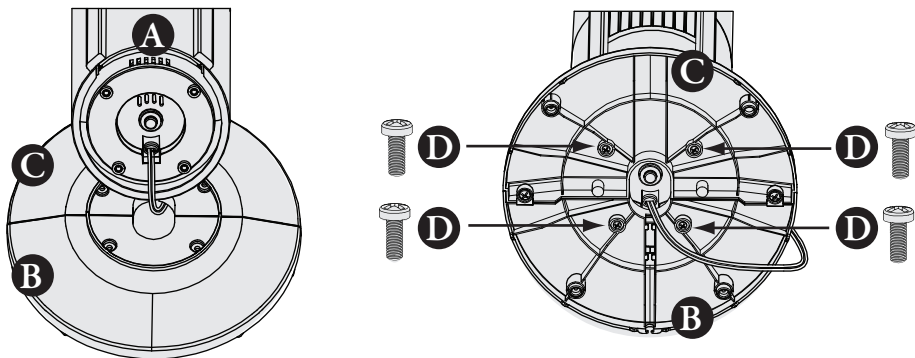


## Fan Assembly


### STEP 3

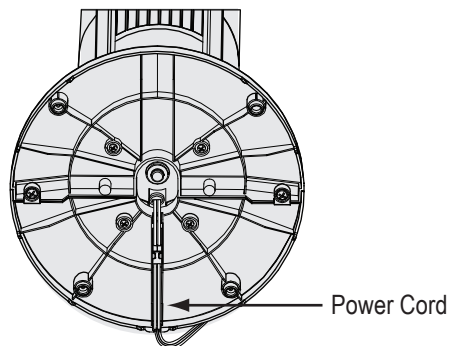
Pass the Power Cord through the center hole in the center of the BASE.

Align the BASE front with the FAN front and insert the four posts on the FAN body into the four holes on the top of the BASE, it will only go one way. Place the 4 SCREWS **D** into the holes through the bottom of the base and tighten securely.



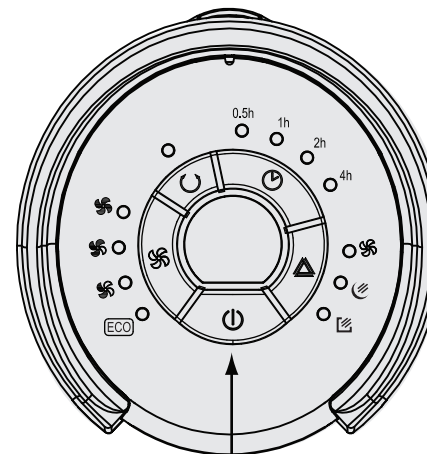
### STEP 4

Run the power cord through the  on the bottom of the BASE-back by tucking the cord under the tabs. Set fan upright on the base and it is ready for use.



See further instructions on use, care and safety.

## Control Panel




Push buttons to activate features



**ON/OFF:** Turns fan ON & OFF



**Speed Selection:** Allows four different speed settings

 ECO  Low  Medium  High



**Timing Selection:** There are 15 settings, in 1/2 hour increments. Time increases with each push of the button. 1/2 hour, 1 hour, 1-1/2, 2 hours etc. to a maximum time setting of 7- 1/2 hours.

**The LED Indicators** on the control panel are marked 0.5h, 1h, 2h, 4h. (h for Hour) The sum of the lit LED's is the total time period.



**Selection of Wind: Allows for three different wind modes:**



**1. Normal Wind:**

The Normal wind mode is simply the Low, Medium & High fan speed settings.



**2. Sleeping Wind:**

The Sleeping Wind allows you to set a speed and that speed will gradually lower to **ECO**. The air flows as an evening breeze slowing to a light night breeze.

**(1) **ECO** Sleeping Wind**

The air flow remains at **ECO**.

**(2) Low Sleeping Wind**

The air flow begins at low for a half an hour and then drops to **ECO**.

**(3) Medium Sleeping Wind**

The air flow – The air flows begins with medium speed for a half hour then drops to Low speed for a half an hour and finally drops to **ECO**.

**(4) High Sleeping Wind**

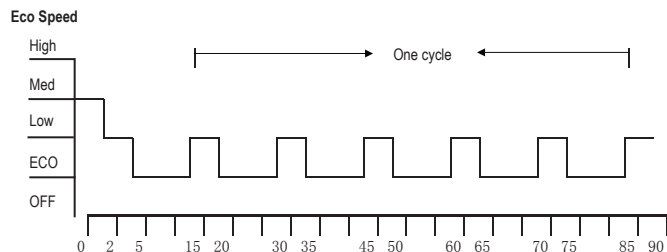
The air flows begins with High speed for a half hour then drops to Medium speed for a half hour, then to Low for a half an hour and finally drops to **ECO**.



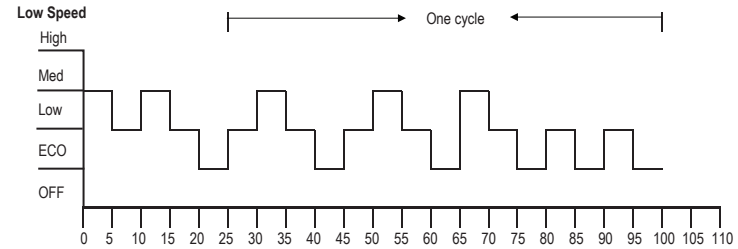
**3. Natural Wind:**

The natural wind mode automatically selects wind speed randomly as you would find outdoors. The speeds are graphically described below.

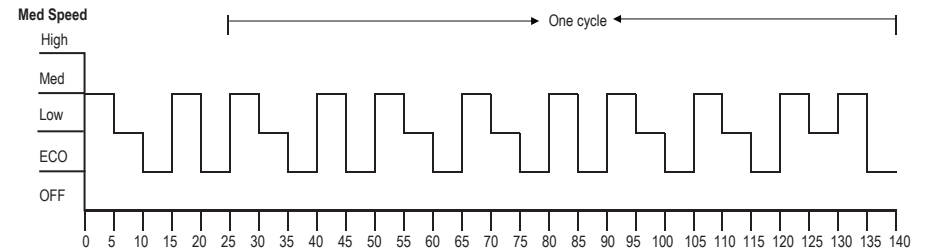
**(1) **ECO** Sleep Wind** - The wind settings will repeat the following 80 second wind cycle with air flow remains at **ECO** being the most common.



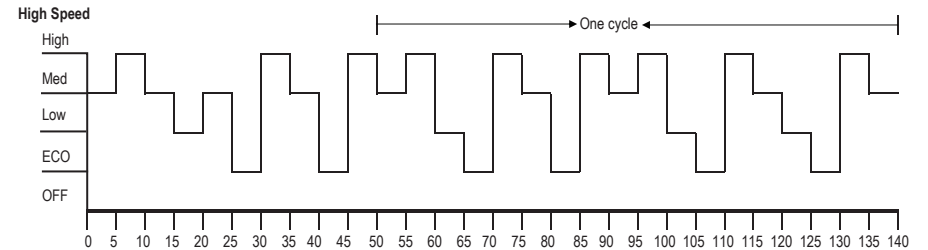
**(2) Low Natural Wind** - The wind settings will repeat the following 80 second wind cycle with Low speed being the most common.



**(3) Medium Natural Wind** - The wind settings will repeat the following 80 second wind cycle with Medium speed being the most common.



**(4) High Natural Wind** - The wind settings will repeat the following 80 second wind cycle with High speed being the most common.



**Oscillating Selection:**

This function starts & stops the oscillation of the fan.

**Controlling the Oscillation Angles:** To change the wind direction, place both hands on the fan and turn the fan body to the left or right. There are 5 positions to choose from to change the oscillation angle. To have the fan fully oscillate left and right, have the fan in the third or center position.

## ULTRASlimline Remote Control for Tower Fan

## Note

To use your remote, point the top end directly at the front of the fan aiming at the little window just below the control panel on the top of the fan.

## Functions:



**Power Button** - Turns fan **ON & OFF**



**Speed Mode** - Changes wind speed from Eco **ECO** to Low **LO** to Medium **MED** to High **HI**.



**Wind Mode** - Changes the wind mode from Normal Wind to Natural Wind to Sleeping Wind.

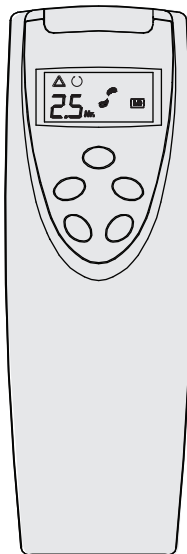
(1) **Normal Wind** is indicated by *no* icon appearing in the upper left hand corner of the display.



(2) **Natural Wind** is indicated by a blinking triangle icon appearing in the upper left hand corner of the display.



(3) **Sleeping Wind** is indicated by a *solid* triangle icon appearing in the upper left hand corner of the remote.



**Timer** - Changes the time, the fan is on from 0.5 hr up to a max of 7.5 hr, in 0.5 hr increments.



**Oscillation** - Turns the fan oscillation **ON** or **OFF**

This equipment has been tested and found to comply with the limits for Class B digital device, pursuant to part 15 of the FCC Rules. These limits are designed to provide reasonable protection against harmful interference in a residential installation. This equipment generates, uses, and can radiate radio frequency energy and, if not installed and used in accordance with the instructions, may cause harmful interference to radio or television reception, which can be determined by turning the equipment off and on, the user is encouraged to try to correct the interference by one or more of the following measures:

- Reorient or relocate the receiving antenna.
- Increase the separation between the equipment and the receiver.
- Connect the equipment into an outlet on a circuit different from that to which the receiver is connected.
- Consult the dealer or experienced radio/TV technician for help.

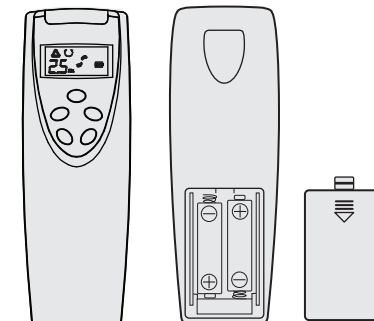
**WARNING:** Changes or modifications to this unit not expressly approved by the party responsible for compliance could void the user authority to operate the equipment.

## Storage & Cleaning Instructions

- 1) To clean your fan, first turn it OFF & unplug it.
- 2) Use a soft cloth to wipe the housing. DO NOT use water, gasoline, polish, or any chemical solution. Do NOT soak/immerse fan in water/liquid.
- 3) You can use a vacuum cleaner (narrow tube with the brush attachment) to clean all intake and exhaust vents. This will remove dirt and lint that may accumulate over time. DO NOT ATTEMPT TO TAKE APART FAN.
- 4) For a Super Clean. Suggest you take fan outdoors and use "Compressed Air" (used to clean computers and electronics) and blow out dust thoroughly.
- 5) Store in a dry place away from excessive heat and direct sunlight.

## Batteries

- \*The remote control operates on 2 AAA batteries.
- \*DO NOT MIX OLD AND NEW BATTERIES
- \*DO NOT MIX ALKALINE, STANDARD (CARBON-ZINC) OR RECHARGEABLE (NICKEL-CADMIUM) BATTERIES.
- \*It is recommended that the batteries be removed should the remote not be in use for an extended time.
- \*Install the two "AAA" batteries supplied as shown.



Front of Remote

Back of Remote

## Product Registration

To register your **ULTRASlimline** Tower Fan and to become eligible for special promotions or to be informed of new product offerings, simply visit:

[www.sevilleclassics.com/fan](http://www.sevilleclassics.com/fan)

## Parts & Accessories

For **ULTRASlimline** Tower Fan Parts & Accessories, please visit :

[www.sevilleclassics.com](http://www.sevilleclassics.com)

## Customer Service

Should you have any questions, comments or suggestions please contact us at:

Seville Classics Inc.

Tel: (800)-323-5565 or (310)-533-3800

[www.sevilleclassics.com](http://www.sevilleclassics.com)

### PROOF OF PURCHASE

Please fill out the information below and forward this form and a copy of your original receipt with your defective appliance and/or parts (per the specific direction of the Customer Service representative) to the address listed below:

Seville Classics, Inc  
19401 South Harborgate Way  
Torrance, CA 90501 – 1322  
U.S.A.

Name: \_\_\_\_\_ (First) \_\_\_\_\_ (Last)

Address: \_\_\_\_\_

City: \_\_\_\_\_ State: \_\_\_\_\_ Zip: \_\_\_\_\_

Phone Number: \_\_\_\_\_ E-mail: \_\_\_\_\_

Place of Purchase: \_\_\_\_\_ Date: \_\_\_\_\_

## Important Safety Instructions

### **⚠ READ & SAVE THESE INSTRUCTIONS**

When using electrical appliances, basic precautions should always be followed to reduce the risk of fire, electric shock and injury.

1. Use this fan only as directed in this manual. Non-recommended use may cause fire, shock or injury.
2. This fan is intended for personal use INDOORS. It is NOT designed for commercial, industrial or outdoor use.
3. Do NOT place fan in or near a window, to avoid contact with the outdoor elements and to avoid exposure to direct sunlight. Rain may create an electrical hazard. Do NOT immerse fan, plug or cord in water/liquid. Do NOT spray with water/liquid. DO NOT use Fan outdoors.
4. Operate fan on a dry, level surface.
5. This appliance has a polarized plug (one blade is wider than the other). This plug is designed to reduce the risk of shock by only fitting into a polarized outlet one way. If the plug does not fully fit in an outlet, try reversing the plug. If it still does not fit, contact a qualified electrician. Do not attempt to defeat this safety feature.
6. A loose plug/outlet connection may cause overheating and distortion of the plug. Contact a qualified electrician to replace a loose or worn outlet.
7. Always turn the fan off and unplug it when transporting it to another location and before cleaning.
8. When disconnecting fan, turn it off, grip the plug firmly and pull it from the wall outlet. Never pull it out by the cord.
9. Do NOT operate the fan if the cord or plug is damaged, the unit is malfunctioning, has been dropped or is damaged in any way.
10. Do NOT operate your fan in the presence of flammable and/or explosive fumes.
11. Do NOT place the fan or any of its parts near an open flame, cooking appliance or heater.
12. Do NOT operate the fan if housing has been removed or damaged.
13. Avoid contact with fan's moving parts.
14. Close supervision is necessary when operating fan near children.
15. Do NOT mount fan on a wall or hang it from the ceiling.
16. Use of attachments of any kind is NOT recommended.
17. Do NOT use this fan with any solid state speed control devices.
18. This appliance is not intended for use by persons (including children) with reduced physical, sensory or mental capabilities, or lack of experience and knowledge, unless they have been given supervision or instruction concerning use of the appliance by a person responsible for their safety.