
USER MANUAL

NAME:

**WIRELESS PEEPHOLE VIDEO DOOR PHONE
WITH MOTION SENSOR**

MODEL:

KIVOS KDB301



**PLEASE READ THE INSTRUCTIONS
BEFORE USING THE UNIT.
SAVE IT FOR USE IN THE FUTURE.**

Importer:
Przedsiębiorstwo Handlowo Usługowe FENIKS
Cyprian Pawlaczyk

ul. Słoneczna 110,
Nowa Kuźnica, 42-350 Koziegłowy
Polska - Poland

www.elmic.pl, elmic@elmic.pl

NIP: 627-114-97-86
REGON: 240243739

Fashion · Science & Technology · Taste

Enjoy Intelligent Life — “KIVOS”

The wireless peephole video door phone is a 2.4G wireless high-tech household intelligent product integrating doorbell, photo-taking, intercom, monitor and unlocking functions into one. Especially is its unique human body detection function, when visitor is in its detection range, the indoor monitor shall be activated, show the image of the outdoor on its screen and take photo automatically. Therefore, even you were not at home, you also could know who visited you. This model is the guarantee for your home security.

This product does not use wires. It is convenient to install and simple to use. It's specially designed for villas. A outdoor unit can work with three matched handsets with max. working distance 150 meters in an open area.

Adopting the latest energy saving technology, its stable performance and fashionable appearance design make it the first choice of your high-quality intelligent life.

<i>Introduction</i>	3
<i>Safety Warning & Attention</i>	3
1. <i>Attention</i>	3
2. <i>Attention for operation of this product</i>	3
3. <i>Attentions for operation of charger</i>	3
4. <i>Operation and maintenance</i>	4
<i>Product Overview - Model: KDB301</i>	4
1. <i>Characteristics and application</i>	4
2. <i>Performance parameters:</i>	5
<i>Product Diagram</i>	6
<i>Installation Guide</i>	7
<i>Installation Steps</i>	7
<i>Battery Installation</i>	8
<i>Functions and Applications</i>	8
1. <i>Outdoor Unit Starting Up</i>	8
2. <i>Starting Up & shutting down</i>	8
3. <i>Night-vision</i>	8
4. <i>Menu Setting</i>	8
5. <i>Date & Time setting</i>	8
6. <i>Ringng setteings</i>	9
7. <i>Lock Delay</i>	9
8. <i>PIR : ON/OFF</i>	9
9. <i>Outdoor unit CALL handset</i>	9
10. <i>Handset CALL Outdoor Unit (Monitoring)</i>	9
11. <i>Exposure Adjustment</i>	9
12. <i>Photo Preview & Delete</i>	10
<i>Battery and Charge</i>	10
<i>Configuration</i>	10
<i>Statement</i>	11
<i>General faults and solutions</i>	11

Introduction

Thank you for choosing this intelligent monitoring doorbell. Please read this Manual carefully to fully understand its usage, perfect functions and simple operation.

This product features music doorbell, photo-taking, video-recording and Night-Vision functions to satisfy your comprehensive home security monitoring requirements.

The Company reserves the right to modify this Manual from time to time without prior notice.

Before using this product, please read these Attentions carefully to ensure safe and proper operation of this product.

Safety Warning & Attention

1. Attention

- Do not place this product on an uneven or unstable table-board to prevent failure or damage caused by falling.
- Only the battery and charger designated by the Company can be used on this product. Application of other products may lead to leakage, overheating, blowout and fire of the battery.
- Do not violently strike, shake or toss the wireless video door phone to prevent failure and fire caused to the wireless video door phone.
- Do not put battery, charger or wireless video door phone in the microwave oven or high-pressure device; otherwise, damage and fire of electrical circuit and other accidents may be caused.
- Do not use this product in a place with flammable and explosive gas; otherwise, amount of dust; otherwise, product failure may be caused.
- Do not place this product in a place with high temperature, high humidity or large amount of dust; otherwise, product failure may be caused.

2. Attention for operation of this product

- Do not apply force on LCD screen or knock other objects with it, otherwise, breakage and damage of LCD panel and seepage of crystalline liquid will be caused. If the crystalline liquid enters your eyes, there will be danger of blindness. Wash your eyes (be sure not rub your eyes) and go to see the doctor immediately.
- Do not dismantle or remodel this product, otherwise, damage, creepage and electrical fault may be caused to this product.
- Do not press the keys with a pin, stump of pen/pencil and other keen-edged objects; otherwise, damage or misoperation will be caused.
- Place tiny metal objects such as drawing pin at a place far away from the speaker. As the speaker has magnetic property while working, it will attract these tiny metal objects, which may lead to personal injuries or damage of the speaker.
- Do not project the lens at strong light source, such as the sun and so on; otherwise, damage of the image sensor may be caused.
- Do not press the terminal of lens with much force; otherwise, personal injury or damage of the device may be caused.

3. Attentions for operation of charger

- You may charge the device with a charger or through a USB data line connected to the computer.
- Charge with 100-240V alternate current; creepage, fire and damage of the mobile phone and charger may be caused if other voltage is used.
- It is forbidden to shortcircuit the charger, otherwise, electrical shock, smoke and damage of the charger will be caused.
- Do not use the charger at the time when the power cord is damaged, otherwise, fire and electrical shock will be caused.
- Clear away the dust accumulated on power outlet ASAP.
- Do not place a vessel used to retain water beside the charger to prevent overheating, creepage and failure of charger caused by spilling water.
- If the charger is in contact with water or other liquids, disconnect the power supply immediately to prevent overheating, fire, electrical shock and failure of the charger.
- Do not dismantle or remodel the charger, otherwise, personal injury, electric shock, fire and damage of charger may be caused.
- Do not use the charger in places with high humidity such as bathroom, otherwise, electric shock, fire and damage of the charger will be caused.
- Do not touch the charger, electrical line and power outlet with wet hand(s), otherwise, electric shock may be caused.

- Do not place heavy objects on the electrical line or refit the electrical line, otherwise, electric shock and fire will be caused.
- Before cleaning and maintenance, first pull the plug off the power outlet.
- Grasp the charger while pulling off the plug, as pulling the electrical line will lead to damage of electrical line, electric shock and fire.

4. Operation and maintenance

- Please keep this product dry, as rainwater, moisture, humidity and liquids or moisture content may contain mineral matters that erode the circuit.
- Do not keep this product in any place with high temperature. As high temperature may shorten the lifespan of electronic device, damage the battery and cause deformation or melting of certain plastic parts and components.
- Do not keep this product in any place with low temperature. As when being moved from a place with low temperature to a place with normal temperature, it may generate humidity inside, which may cause damage of circuit board.
- Do not attempt to dismantle this product. As improper handling by nonprofessional personnel may cause damage of the device.
- Do not toss, knock or shake this product, as tough operation mode may damage the motherboard inside the device.
- If this product is made wet by mistake, shut it down and take it out of the host machine holder, remove the battery, and restart the product after confirming it complete dry in 24 hours.
- Do not have the metal parts (specially configured interfaces of charger and data line excluded) in contact with charger interface to avoid short circuit.
- Use clean and dry soft cloth to clean the lens, infrared lamp and light sensor.

Warning: improper operation will void warranty!

Product Overview - Model: **KDB301**

Wireless Peephole Video Door Phone

1. Characteristics and application

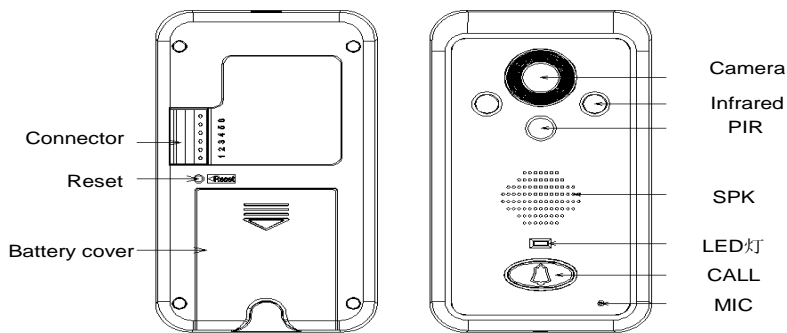
- Fashion appearance – adopt European design, full of modern science and technology feeling, suitable for houses of various decorative styles.
- Hidden antenna – adopt built-in antenna design, protect the antenna effectively.
- Extra large range of vision – an extra wide angle viewable.
- High-resolution color LCD screen – adopt 3.5-inch mainstream TFT digital LCD screen, achieve outstanding clarity.
- High-resolution digital camera – adopt 300,000 pixels digital camera, image focusing vivid and clear.
- High speed transmission ---image transmission speed is 25fps, the image is clear and fluent.
- Infrared Night-Vision – under the environment of insufficient outdoor light, the handset can activate the infrared Night-Vision to clearly display and record the outdoor scenes.
- 12 kinds of ringtones – users can select the desired doorbells ringtones freely
- One-key display – simple and convenient to use, view the outdoor scenes and take photos just by pressing down one key.
- Auto detection –it would auto take photo when a visitor come close to the door..
- Intercom function – can choose one-way or both-way talkback function.
- Super long standby – high capacity rechargeable lithium batteries are provided, adopt intelligent energy-saving technology, fully charged batteries service time could be up to 40days.
- Charge-and-record supported – without the need to worry that the operation will be affected due to depletion of electrical quantity.
- Auto circulating memory –100 photos auto circulating stored.
- USB data charging wire – charge through the USB interface.
- Multifunction holder – matching charger.
- Multimachine extended function – support two outdoor units and three handsets at most.
- Long distance transmission – communication distance can reach 150 meters in open space.
- Frequency range – adopt 2.4G ISM digital public frequency range: 2402~2483.5MHz
- Adaptive frequency hopping technique – adopt AFH (Adaptive Frequency Hopping Technique), produce communication frequency and Auto-Sync frequency randomly.

2. Performance parameters:

Serial no.	Specifications	Technical parameters
Outdoor unit	Power	Specific lithium battery BP-6M(1100mAh)
	Consumption	400mA
	Outline dimension	134*74*31mm
	Weight	122g
	Environmental condition	Temperature: -10°C~+50°C
	Waterproof grade	IP55
	Placement	Hang on outwall
	Surface material	ABS & hardware accessories
	Camera	300,000pixels
	View angle	120° wide angle
	Night vision pattern	Infrared lamps
	PIR	3M*100°
	Working time	3 hours continuously
	Standby time	300hours
	Charge time	3hours
	External power	DC5V 1A
Indoor monitor	Power	Specific lithium battery BP-6M(1100mAh)
	Consumption	400mA
	Outline dimension	126*84*20mm
	Weight	110g
	Environmental condition	Temperature: -0°C~+40°C
	Placement	table style (handheld)
	LCD size	3.5" TFT color screen
	Wireless communication mode	2.4GHz
	Images spread	25fps
	Picture format	JPEG
	Working time	4hours continuously
	Standby time	500hours
	Charge time	3hours
	External power	DC5V 1A
	Application distance	About 300m in open space

Product Diagram

Outdoor unit



Indoor monitor

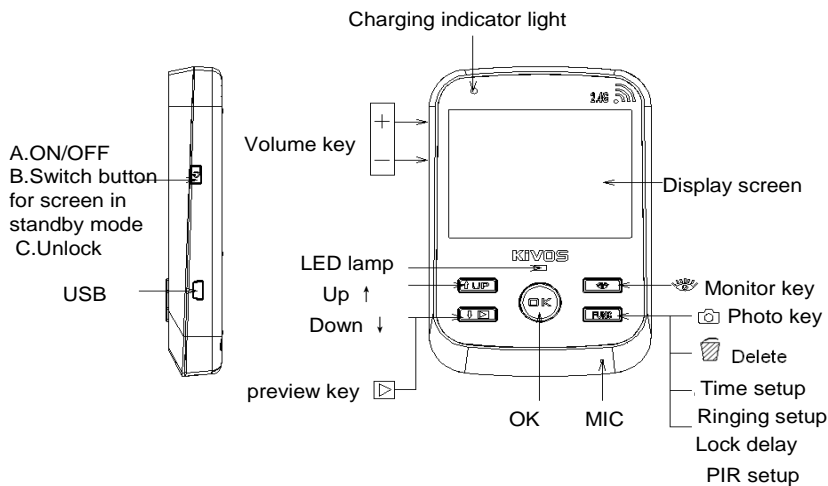
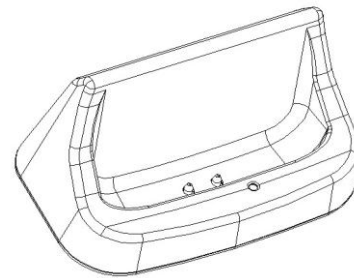


Table type charging station for handset:



Key introduction :

A. Handset Keys (7pcs Key):

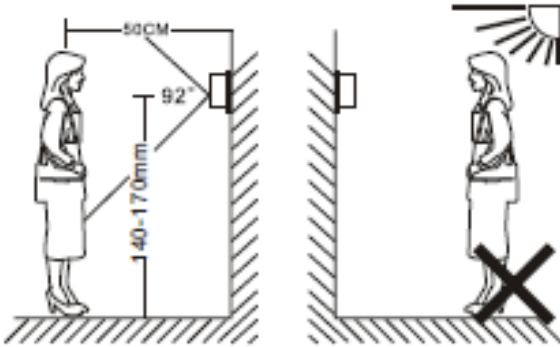
- (OK key) : work as a off-hook key and a on-hook key; as a speaking key.
- (↑UP key) : as an adjustment key for choosing.
- (↓DOWN/▶Preview key) : as an adjustment key for choosing when long press it; as a preview key when short press it.
- (👁️monitor key) : work as monitor key for standby mode
- (FUNC Function key) : as a multifunction key, such as a photo-taking key 📷, a time setting key, ringing setting key 🎵 and a delete setting key.
- Switch key "ON/OFF" : as a power "ON/OFF" key, the screen would be light when short press it.
- Volume key(+/-)

B. Outdoor unit keys

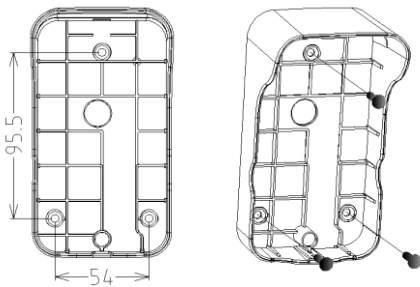
- Doorbell key "Call" : ring the bell and trigger photo-taking there is no one on-hook.
- Reset: match the communication code with the handset

Installation Guide

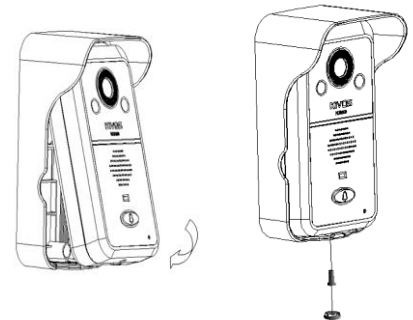
Outdoor unit shall be installed at 1.4~1.7 meter above the floor, and the camera shall avoid facing the sunlight directly.



Installation Steps

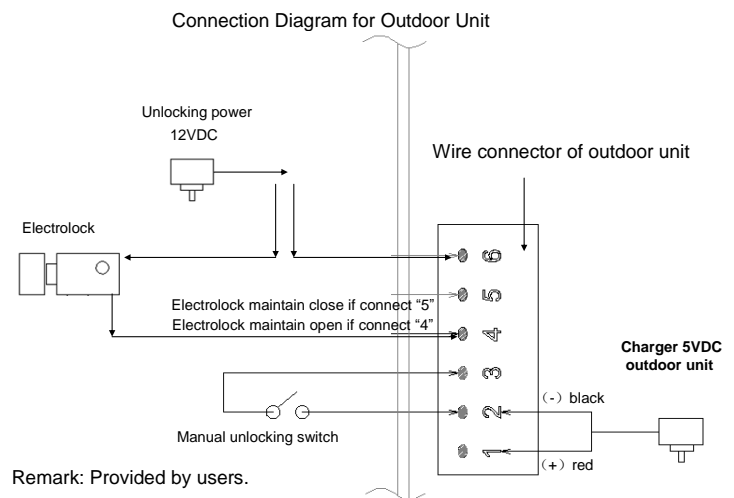


1. Drill a hole refer to the dimension, put the screw rubber plug in, then fix the rainproof cover on the wall by screws.
2. Connect the charging line according to the wiring diagram(the hole for wire getting through suggested 16~30mm), if charging line comes from indoor, lead the charging line pass through the hole, if charging line comes from outdoor, lead the charging line pass through the bottom of rainproof cover and connect the line .
3. Install rechargeable lithium battery (BP-6M) to outdoor unit, the unit starts up automatically.
4. Put the top part of outdoor unit into the rainproof cover like the picture, push the bottom part, make sure its steady and fix it from the bottom by screw, then fit on the screw cover.



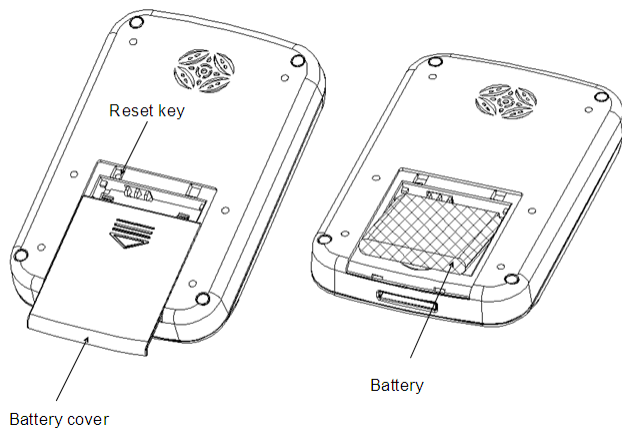
Attentions during Installation:

1. The outdoor photosensitive sensor should not be hidden or blocked by other objects.
2. Do not face outdoor unit to sunlight directly.
3. Install the connection line correctly, otherwise, normal use shall be failure .



Battery Installation

1. Parallel move the battery cover downward, and take it off.
2. Insert the lithium battery along the battery jar and set it level, mind the front and reverse side of the battery.
3. Fit on the battery cover.



Functions and Applications

1. Outdoor Unit Starting Up

Connect to external power to start up. The power source is only battery, main MCU is woken about every one second. Sleep mode is in saving power mode, red lamp flashes once every four seconds; when battery is in low power, red lamp flashes every one second to remind you to charge.

2. Starting Up & shutting down

Install battery to handset, long press "Switch key" about 3 seconds to start up (about 1 second after shutdown), logo shall be displayed on screen with a sound of "Beep". Turn into standby mode.

- Display: standby picture, signal sign, power sign, time & date
- In this mode, the screen gets dark after several seconds and turn into power saving mode, the red LED flashes every 4 seconds. The screen would be lighted if press again.
- When battery is in low power (≤ 1 bar), red LED flashes every one second. It remains you to charge it.
- In standby mode, long press "Switch key" about 3 seconds to shut down.

3. Night-vision

With night-vision function, even under the environment of extremely poor visibility, the outdoor unit can activate infrared lamps and recognize clearly objects or people within the distance of 1.5meter (the best focus of this product is 0.8 meter). In addition, under complete black condition, it displays black and white effects.

Note: Please keep the lens of infrared lamps clean.

4. Menu Setting

When the screen lights up, long press "FUNC" key, enter into menu setting. Then press "FUNC" key in sequence, it would respectively enter into "Time Setting" → "Ringing Setting" → "Lock Delay Setting" → "PIR Setting".

5. Date & Time setting

- Press " \uparrow/\downarrow " key to choose the figure of date& time.
- Press "+/-"key to adjust digit-size.
- Press "OK" key to affirm and turn back to standby condition.

6. Ringing settings

- Press “↑/↓” key -> choose the music you like (12 pieces in total)
- Press “+/-” key -> increase or decrease the volume level (7 levels in total)
- Mute: long press “-” key still there is a mute symbol.
- Press “OK” key, confirm and back to standby condition

7. Lock Delay

- Press “↑” or “↓” key to adjust the time, the range of the time is 1~6 seconds.
- Press “OK” key, confirm and back to standby condition
- Unlocking Explanation - Only in the state of intercom, press “ON/OFF Switch” to unlock with unlocking symbol showing on the screen.

8. PIR : ON/OFF

Press “↑” or “↓” to choose “ON” or “OFF”, the setting value shall be sent to outdoor camera by pressing “OK” key or “FUNC” key

PIR Explanation

The PIR detects human being within its detection range, the signal shall be sent to indoor monitor to wake up the screen and activate photo snapping. After that, outdoor camera and indoor monitor would get into standby state.

When the screen is lit, press “OK” key to intercom.

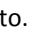
When the configuration is one camera and three indoor monitors, the PIR function could be switched on or off through menu of each indoor monitor. A red PIR symbol shall be shown on the top of the screen after switching on the PIR function. The other two indoor monitors shall show PIR state synchronously when communicating with outdoor camera.

When someone is getting into the detection range of PIR, only one of the indoor monitors would be woken up and takes photo.


After matching code, PIR would be switched off.

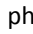

9. Outdoor unit CALL handset

When the screen lights up in standby mode, press “doorbell key” to call, the background light of the outdoor unit lights up with a sound of “Du Du”. The screen of handset shows image and the unit rings for Max. 30 seconds. If there is no reply signal from handset, the outdoor unit stops the Call and recall is allowed.

- Intercom: press “OK” on indoor monitor -> ring stops and the unit turns into intercom mode, intercom time is Max. 90 seconds.
- Photo: in “OK” on-state mode -> press “FUNC” function key - press photo-taking “” key -> one press one photo.
- Exit: in “OK” on-state mode -> press “OK” key (in monitor mode -> press “Exit”) the unit turns into standby mode with a sound of “Beep”.
- Automatic photo shoot: if nobody answers the call in 5 seconds, indoor monitor starts taking photos automatically.

10. Handset CALL Outdoor Unit (Monitoring)

In standby mode, press “” monitor key on handset to monitor call. If outdoor unit receives signal in 5 seconds, then it connects with outdoor unit, handset turns into normal monitor mode and shows image and speaks voice of outside. There is no voice from outdoor unit, it will be in monitoring. If the handset doesn’t receive signal in 5 seconds, it turns back to standby mode automatically.

- Intercom: in monitor mode, there is voice from handset but not from outdoor unit -> press “OK” to turn into both-way communication ->. Intercom time is 90 seconds .
- Photo: in monitor mode -> press photo-taking “” of “FUNC” function key -> one press one photo.
- End1: in monitor mode -> press “” monitor key -> end monitor and turn back to standby mode.
- End2: in intercom mode, press “OK” to hang off and turn back to standby mode.

11. Exposure Adjustment

Exposure adjustment: under the environment of extremely poor visibility and the image is not clear due to the brightness, however, the brightness is adjustable: 9 grades for exposure adjustment.

- In image communication mode -> long press “↑/↓” to adjust the grade of exposure, every press adjusts one grade.

12. Photo Preview & Delete

When the screen lights up

- Preview: long press "↓/▶ preview key", display the latest pictures which are ranked by time, the latest one is on the top list.
- Check: press "↑up" key, check previous photo-»press"↓down key", check the next photo.
- Delete: press "Delete" of "FUNC"-»press "↑Up" or "↓Down" key to select "yes"or "No"-»press "OK" to confirm.
- Exit: finish the operation, press "OK" key to exit photo preview.

Match code setting

- Handset is in shutdown mode-»long press power button-»"Welcome" would be displayed on the screen-»please immediately click the power button-»screen would be displayed "Pairing";
- Meanwhile, click "Reset" key of launcher-»red lamp flashes and then match the code.
- If there is image on handset, code match succeeded; otherwise, match the code again.
- When there are 2 or 3 sets of Indoor monitor finished matching code, please call once again by outdoor unit. If these handsets are displaying at the same time, it succeed.

Note: a launcher could max. support 3 handsets. If you match the code forth time, it would delete the previous three codes.

Battery and Charge

- Be sure the activity of the battery, please fully charged the new battery.
- When the outdoor unit is at low power, the lamp of launcher would flash. It remains you to charge.
- The battery of outdoor launcher can be changed or charged by USB. The red light keeps bright.
- When the Indoor monitor is at low power (\leq a bar), the red indicator lamp will flash every second, please charge immediately
- The Indoor monitor can be charged by the table type holder or by USB, green light keeps bright.
- Charge-and-work supported. When the battery is charged fully, it auto stops charging.
- Battery type: high-quality lithium battery, please use the BP-6M model battery if it needs replacement
- Charging and battery attentions, please reference the chapter "Warms and attentions" in this manual
- **Notice:** Under the low power, display, photo-taking functions can't work normally.

Configuration

Manual	1piece
Outdoor unit	1piece
Indoor monitor	1~3 pieces
Table type holder of handset	1piece
Charger (DC5V)	1pieces
Lithium battery (BP-6M)	2~4pieces
Screw M4	1piece

Statement

This product maximum supports 1 outdoor units to 3 Indoor monitor .The door phone has finished code match and can be used directly.

If you need more pieces of indoor monitors or outdoor units, please contact your local distributors.

Changes or modifications not expressly approved by the party responsible for compliance could void the user's authority to operate the equipment.

This equipment has been tested and found to comply with the limits for a Class B digital device, pursuant to Part 15 of the FCC Rules. These limits are designed to provide reasonable protection against harmful interference in a residential installation. This equipment generates uses and can radiate radio frequency energy and, if not installed and used in accordance with the instructions, may cause harmful interference to radio communications. However, there is no guarantee that interference will not occur in a particular installation. If this equipment does cause harmful interference to radio or television reception, which can be determined by turning the equipment off and on, the user is encouraged to try to correct the interference by one or more of the following measures:

- Reorient or relocate the receiving antenna.
- Increase the separation between the equipment and receiver.
- Connect the equipment into an outlet on a circuit different from that to which the receiver is connected.
- Consult the dealer or an experienced radio/TV technician for help.

All rights reserved.
Author instructions
Correction

KIVOS HK INDUSTRY LIMITED HONG KONG
ELMIC / PHU FENIKS POLAND

General faults and solutions

Fault	Cause(s)	Solution(s)
<i>Can not start up</i>	<i>Neglected to press switch button</i>	<i>Press switch button</i>
	<i>Lithium battery is not installed</i>	<i>Install lithium battery</i>
	<i>Low battery</i>	<i>Charge up lithium battery</i>
	<i>No connection to power adapter when battery runs out</i>	<i>Connect to power adapter</i>
<i>Can not charge</i>	<i>Adapter connector doesn't connect to charging port of machine correctly</i>	<i>Reconnect correctly</i>
	<i>Adapter doesn't connect to 110V--240V alternating current</i>	<i>Plug into the socket to connect to alternating current</i>
<i>Outdoor unit cannot call or connect to Indoor monitor</i>	<i>Code match failed</i>	<i>Clear code, and re-match code</i>
<i>Image has noisy point or flickers</i>	<i>Handset is placed near to TV player, microwave oven, daylight lamp or mobile phone which produces electromagnetic wave interference.</i>	<i>Keep handset far away from the interference items</i>
<i>No signal for Indoor monitor</i>	<i>Outdoor unit doesn't connect to the power</i>	<i>Connect to the power</i>
	<i>Distance between outdoor unit and Indoor monitor is too far</i>	<i>Adjust to appropriate distance</i>
	<i>Disturbed by magnetic field around</i>	<i>Keep handset far away from magnetic field.</i>



Producer:

KIVOS HK INDUSTRY LIMITED

Hong Kong

www.kivos.com.cn



KIVOS

Importer:

Przedsiębiorstwo Handlowo Usługowe FENIKS

ul. Słoneczna 110,

Nowa Kuźnica, 42-350 Koziegłowy

Poland

www.elmic.pl, elmic@elmic.pl

ELMIC