

# HUSH PAR Theatrik™



Blizzard Lighting, LLC  
[www.blizzardlighting.com](http://www.blizzardlighting.com)  
Waukesha, WI USA  
Copyright (c) 2013

# 1. GETTING STARTED

## What's In The Box?

- 1 x HushPar™ Theatrik LED PAR Fixture
- This Lovely User Manual

## Getting It Out Of The Box

Congratulations on purchasing one of the coolest LED Par fixtures anywhere! Now that you're the proud owner of a HushPar™ Theatrik (or hopefully, MORE!), you should carefully unpack the box and check the contents to ensure that all parts are present and in good condition. If anything looks as if it has been damaged in transit, notify the shipper immediately and keep the packing material for inspection. Again, please save the carton and all packing materials. If a fixture must be returned to the factory, it is important that the fixture be returned in the original factory box and packing.

## Powering Up!

All fixtures must be powered directly off a switched circuit and **cannot be run off a rheostat (variable resistor) or dimmer circuit, even if the rheostat or dimmer channel is used solely for a 0% to 100% switch.**

*AC Voltage Switch* - Not all fixtures have a voltage select switch, so please verify that the fixture you receive is suitable for your local power supply. See the label on the fixture or refer to the fixture's specifications chart for more information. A fixture's listed current rating is its average current draw under normal conditions. Check the fixture or device carefully to make sure that if a voltage selection switch exists that it is set to the correct line voltage you will use.

**Warning! Verify that the voltage select switch on your unit matches the line voltage applied. Damage to your fixture may result if the line voltage applied does not match the voltage indicated on the voltage selector switch. All fixtures must be connected to circuits with a suitable Ground (Earthing).**

## Getting A Hold Of Us

**If something is wrong, just give us a call or send an email. We'll be happy to help, honest.**

Blizzard Lighting  
N16 W23390 Stoneridge Dr. Ste E  
Waukesha, WI 53118 USA  
www.blizzardlighting.com  
414-395-8365  
Email: support@blizzardlighting.com

**Disclaimer:** The information and specifications contained in this document are subject to change without notice. Blizzard Lighting™ assumes no responsibility or liability for any errors or omissions that may appear in this user manual. Blizzard Lighting™ reserves the right to update the existing document or to create a new document to correct any errors or omissions at any time. You can download the latest version of this document from [www.blizzardlighting.com](http://www.blizzardlighting.com).

Author:	Date:	Last Edited:	Date:
J. Thomas	5/8/2013	J. Thomas	5/22/2013

# SAFETY INSTRUCTIONS



Please read these instructions carefully. They include important information about the installation, usage and maintenance of this product.

- Please keep this User Guide for future use. If you sell the unit to someone else, be sure that they also receive this User Guide.
- ALWAYS make sure that you are connecting to the proper voltage, and that the line voltage you are connecting to is not higher than that stated on the decal or rear panel of the fixture.
- This product is intended for indoor use only.
- To prevent risk of fire or shock, do not expose fixture to rain or moisture.
- Make sure there are no flammable materials close to the unit while operating.
- The unit must be installed in a location with adequate ventilation, at least 20in (50cm) from adjacent surfaces. Be sure that no ventilation slots are blocked.
- ALWAYS disconnect from the power source before servicing or replacing fuse and be sure to replace with same fuse size and type.
- ALWAYS secure fixture using a safety chain. NEVER carry the fixture by its cord. Use its carrying handles.
- DO NOT operate at ambient temperatures higher than 104°F (40°C).
- In the event of a serious operating problem, stop using the unit immediately. NEVER try to repair the unit by yourself. Repairs carried out by unskilled people can lead to damage or malfunction. Please contact the nearest authorized technical assistance center. Always use the same type spare parts.
- Make sure the power cord is never crimped or damaged.
- Never disconnect the power cord by pulling or tugging on the cord.
- Avoid direct eye exposure to the light source while it is on.

**Caution!** There are no user serviceable parts inside the unit. Do not open the housing or attempt any repairs yourself. In the unlikely event your unit may require service, please contact Blizzard Lighting at [support@blizzardlighting.com](mailto:support@blizzardlighting.com).

## 2. MEET THE HUSHPAR™ THEATRIK LED PAR

### MAIN FEATURES:

- 36x 3-watt Cool White 6500K (daylight) LED's
- Efficient convection cooling for zero fan noise
- Dual mounting yoke allows flexibility in positioning
- Rugged die cast aluminum enclosure
- Use with or without optional barn doors
- 100,000 hour life span
- Perfect Color Distribution, (SDC) <0.006

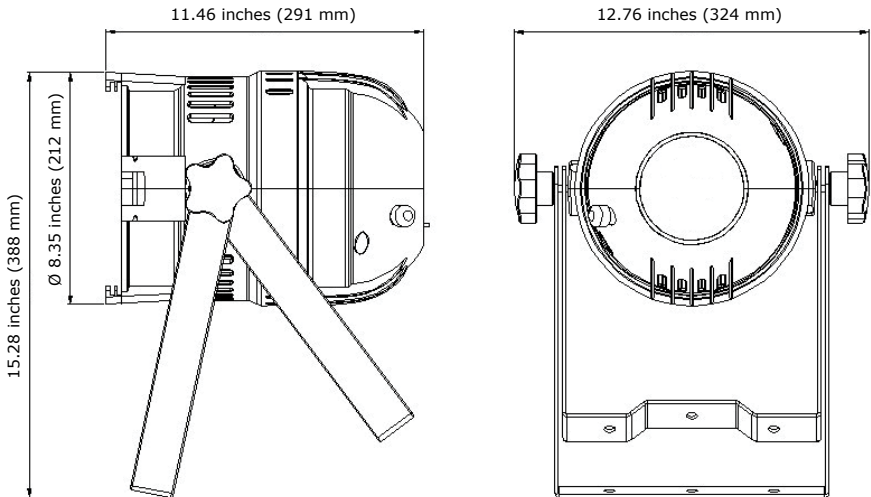
### OPTICAL:

- Installed optics: 25 degree
- 27,600 Lux @ 1m, 8,400 Lux @ 2m
- 100% flicker-free dimming via conventional AC dimmer packs
- PWM Frequency >7.8KHz

### COOLING/ACOUSTIC:

- High-performance fanless convection cooling
- ZERO operating noise

### DIMENSIONS:



### 3. SETUP



Before replacing a fuse, disconnect power cord. ALWAYS replace with the same type and rating of fuse.

#### Fuse Replacement

**CAUTION!** The HushPar™ Theatrik utilizes a high-output switch-mode power supply with an internal fuse. Under normal operating conditions, the fuse should not require replacement. The fuse is field replaceable, however it is an advanced procedure suited to qualified individuals. Should your HushPar™ Theatrik fuse require replacement, please contact Blizzard Lighting for instructions, or to return your unit for service.

#### Mounting & Rigging

- Slide the barn door assembly into the grooves on the front of the fixture. (optional)
- Securely connect the power cable to a power socket. Dimming can be achieved via the use of a conventional AC dimmer pack.
- This fixture may be mounted in any SAFE position provided there is enough room for ventilation.
- It is important never to obstruct cooling vents pathway. Mount the fixture using a suitable "C" or "O" type clamp. The clamp should be rated to hold at least 10x the fixture's weight to ensure structural stability. Do not mount to surfaces with unknown strength, and ensure properly "rated" rigging is used when mounting fixtures overhead.
- Adjust the angle of the fixture by loosening both knobs and tilting the fixture. After finding the desired position, retighten both knobs.
- Safety cables MUST ALWAYS be used.
- Never mount in places where the fixture will be exposed to rain, high humidity, extreme temperature changes or restricted ventilation.

#### Troubleshooting

Symptom	Solution
Fixture Auto-Shut Off	If it light output has stopped, the unit may have shut itself off due to high heat. This is to protect the fixture from overheating. Clear the cooling vents of obstructions, or return the unit for service.
Beam is Dim	Check optical system and clean excess dust/grime. Also ensure that the 220V/110V switch is in the correct position, if applicable.
No Power	Check fuse, AC cord and circuit for malfunction.
Fixture Not Responding / Responding Erraticly	Make sure all connectors are seated properly and securely. Check all cables for defects. Reset fixture(s).

## Keeping Your HushPar™ Theatrik As Good As New

The fixture you've received is a rugged, tough piece of pro lighting equipment, and as long as you take care of it, it will take care of you. That said, like anything, you'll need to take care of it if you want it to operate as designed. You should absolutely keep the fixture clean, especially if you are using it in an environment with a lot of dust, fog, haze, wild animals, wild teenagers or spilled drinks.

Cleaning the optics routinely with a suitable glass cleaner will greatly improve the quality of light output. Keeping the cooling vents free of dust and debris will keep the fixture running cool and prevent damage from overheating.

In transit, keep the fixtures in cases. You wouldn't throw a prized guitar, drumset, or other piece of expensive gear into a gear trailer without a case, and similarly, you shouldn't even think about doing it with your shiny new light fixtures.

Common sense and taking care of your fixtures will be the single biggest thing you can do to keep them running at peak performance and let you worry about designing a great light show, putting on a great concert, or maximizing your client's satisfaction and "wow factor." That's what it's all about, after all!

## Returns (Gasp!)

We've taken a lot of precautions to make sure you never even have to worry about sending a defective unit back, or sending a unit in for service. But, like any complex piece of equipment designed and built by humans, once in a while, something doesn't go as planned. If you find yourself with a fixture that isn't behaving like a good little fixture should, you'll need to obtain a Return Authorization (RA).

Don't worry, this is easy. Just send an email to [support@blizzardlighting.com](mailto:support@blizzardlighting.com), and we'll issue you an RA. Then, you'll need to send the unit to us using a trackable, pre-paid freight method. We suggest using USPS Priority or UPS. Make sure you carefully pack the fixture for transit, and whenever possible, use the original box & packing for shipping.

When returning your fixture for service, be sure to include the following:

- 1.) Your contact information (Name, Address, Phone Number, Email address).
- 2.) The RA# issued to you
- 3.) A brief description of the problem/symptoms.

We will, at our discretion, repair or replace the fixture. Please remember that any shipping damage which occurs in transit to us is the customer's responsibility, so pack it well!

## Shipping Issues

**Damage incurred in shipping is the responsibility of the shipper, and must be reported to the carrier immediately upon receipt of the items. Claims must be made within seven (7) days of receipt.**

## Tech Specs!

<b>Weight &amp; Dimensions</b>	
Length	11.46 inches (291 mm)
Width	12.76 inches (324 mm)
Height	8.35 inches (212 cm)
Weight	10.37 pounds (4.7 kg)
<b>Power</b>	
Operating Voltage	90-240VAC, 50-60 Hertz
Fuse	3A 250V
Power Consumption	97W, .9A
Power Factor	.84
<b>Light Source</b>	
LED	36* 3-watt white LEDs, 100,000 hours
<b>Optical</b>	
Beam Angle	25 degree optics standard
Luminous Intensity	27,600 Lux @ 1m, 8,400 Lux @ 2m
<b>Thermal</b>	
Max. Operating Temp.	104 degrees F (40 degrees C) ambient
<b>Other Information</b>	
3.9% of all women do not wear underwear.	
<b>Warranty</b>	
2-year limited warranty, does not cover malfunction caused by damage to LED's.	



**Enjoy your product!  
Our sincerest thanks for your purchase!  
--The team @ Blizzard Lighting**