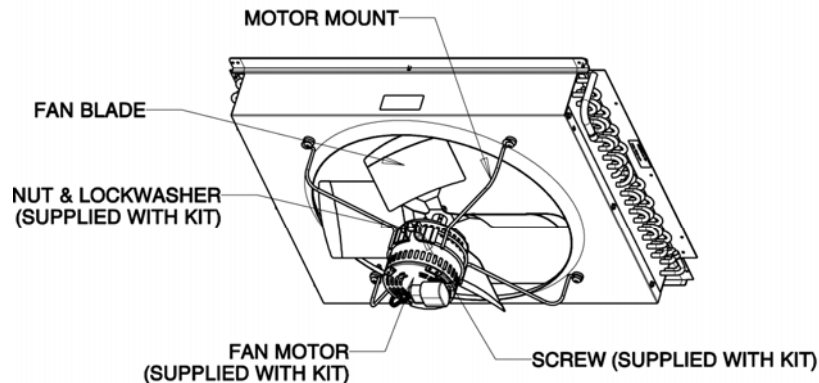


FAN MOTOR REPLACEMENT KITS 7626723, 7626733 AND 000006007 INSTALLATION INSTRUCTIONS



**! WARNING: DISCONNECT POWER TO THE MACHINE.
FAN BLADE IS DIRECTIONAL AND SHOULD NOT BE REVERSED.
ENSURE THE FAN BLADE IS MOUNTED
THE SAME DISTANCE AND ORIENTATION TO THE
AIR CONDENSER AND IS PROPERLY SECURED.
MANUALLY ROTATE THE BLADE TO ENSURE
THAT THERE IS NO INTERFERENCE.**