



User Manual

Multi-function Portable USB/SD Speaker
USB-MSPK01



www.mbeat.com.au

User Manual

Please use the Multi-function Speaker before you read the manual through the content,
And please keep this manual as a reference.

Attention

The manual describes some characteristics of products and accessories and functions for reference only.

Import and export control

For this product to the products described in the manual export, re-export or import, you should abide by applicable export control laws and regulations.

Contents

| | |
|---|----|
| Description | 1 |
| The main parameters of Multi-function Speaker | 2 |
| Know your Multi-function Speaker | 3 |
| Description of remote control keys | 5 |
| Function Menu | 6 |
| AUX Music input..... | 9 |
| Battery Charge..... | 9 |
| Start using your Multi-function Speaker | 10 |
| Safety Warning..... | 10 |
| Electronic Equipment | 10 |
| Medical Equipment | 10 |
| Flammable Region | 11 |
| Traffic Safety Notes | 11 |

Thank you for your purchase Multi-function Speaker

Description

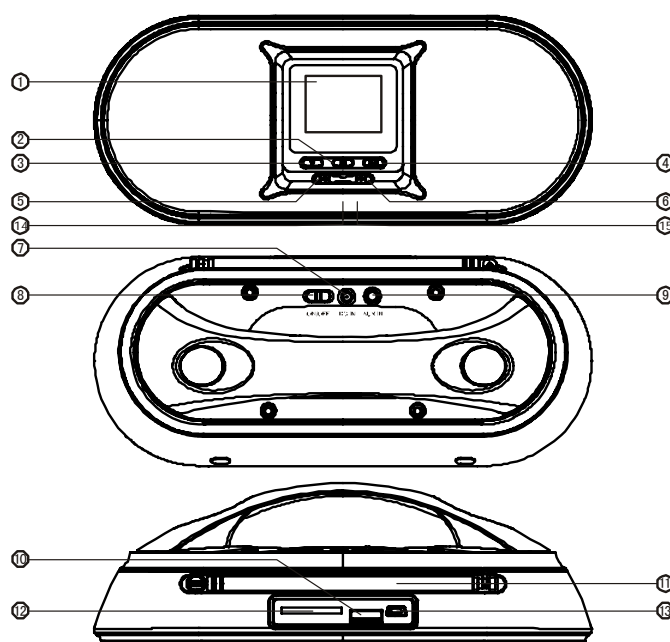
- This manual on the Multi-function Speaker a brief introduction, the main contents include: Introduction, peripheral equipment requirements, guidance for use and safety warnings and precautions.
- Before using the Multi-function Speaker, Please read this manual.
- F M radio signal strength will be affected by the actual situation of the local signals and environmental factors

. The main parameters of Multi-function Speaker

- Support reading SD/MMC card and USB
- Support MP3/WMA format music double-decode
- Support SRS etc. eight audio modes
- Support external audio AUX input
- Support FM radio
- Output(RMS): 3.0W x 2
- High-fidelity magnetism speaker
- Input Sensitivity: ①AUX 600mV ②FM 500mV ③SD/USB 450mV
- Separation: $\geq 80\text{dB}$
- Distortion: $\leq 1\%$, (3.7V, 1KHZ, 1W)
- Machine noise ratio: $\geq 80\text{dB}$
- Charging Power Supply: DC5V
- Operating Voltage: DC3.7V
- Battery capacity: 1000mA




Know your Multi-function Speaker

Appearance Schematic:



Note:

Graphics for reference only, your Multi-function Speaker may be different, please refer to the real product.

1. LCD liquid crystal monitor
2. M Button
Open the menu mode, access, open the next menu, set options.
3. V Button
Open the volume mode, to exit the current menu, back to the previous menu
3.  Button
Play, pause, and search radio-station automatically. (Please long press)
5.  Button
Previous tune, previous menu option, previous radio channel, Lower the volume.
6.  Button
Next tune, Next menu option, Next radio channel, Increase the volume
7. DC IN.
DC power adapter interface for supplying external power and charging internal lithium ion battery.
8. Power Switch
Push the power switch, ON means turn on the power, OFF means turn off the power.
9. AUX IN
External audio input port for broadcasting mobile phones, computers, MP3, MP4 players and other devices music
10. USB Port
USB memory port for reading music files of USB memory
11. Rod antenna
FM radio using the rod antenna

12. Memory Card port
SD card, MMC card slot for reading memory card music files
13. Mini USB port
USB cable Port for connecting the computer to manage the music files on the memory card and charging via computer. Upgrade software of your Multi-function Speaker
14. MIC

Appearance Schematic:

Recording microphone window

15. Remote control receive window

Description of remote control keys

1. FM

Enter/exit radio mode from the main interface directly

2. Mute

3. Play/Pause

4. Menu

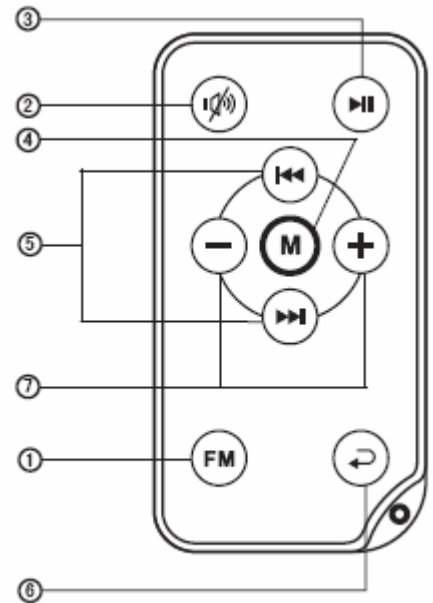
Enter menu mode, set options

5. Forward/Backward to select a track (Radio) and Menu options

6. Back button

Exit the current menu, back to the previous menu.

7. Volume up/down



Function Menu

Calendar

Turn on the power, without inserting the SD card or U disk condition, click "M" key to enter the function menu .Click "M" key again, enter the calendar display. Display content includes: Solar-based, Lunar-based, Week, Clock .Press"◀◀◀" "▶▶▶" up/down to search for another date. If you need to adjust the time and date, you need to click "M" key into "system setting" to set the system time .

Music

In standby mode (must be pre-inserted SD card or U disk), click "M" key to enter the function menu ,press "▶▶▶" to select "**Music**"., then click "M" key to enter Playback Mode. Press "▶▶▶" to play the music. Playing status, click "M" key to enter the following modes:

1 .Loop mode:

Click "M" key to enter this mode, it contains seven cycle mode in sub-menu, press"▶▶▶" select the mode you need, then click "M" key to confirm your choice.

2. Audio setting:

Click "M" key to enter mode selection, press "▶▶▶" to select Audio setting, click "M" key again to enter this mode, it contains eight audios for option in sub-menu, select the mode you need, then press "M" key to confirm your choice.

3. Repeat mode:

Click "M" key to enter mode selection, press "▶▶▶" to select Repeat mode, click "M" key again to enter Repeat mode, now display interface back to playback interface , the upper left corner of LCD screen demonstrate that the letter A is flashing, press "▶▶▶" start to Repeat setting , A stop flashing, then B flashing, press "▶▶▶" end to Repeat setting. You can repeat the content you choose, then click "**M**" key to cancel the repeat function.

4. Lyrics

Click "M" key to enter mode selection, press "▶▶▶" to select "Lyrics", this time display interface back to playback interface , demonstrating the lyrics you listening., click "M" key to exit displaying Lyrics.(Required with the LRC format music files to support this feature)

5. Exit:

Select "return to the main interface" to back to standby mode, select "Exit" to exit the current menu.

6. Delete files and Play subdirectories:

In the pause state, click "M" key, be in its drop-down menu to delete files and proceed to the next layer of subdirectories to select play.

Recording

1. In standby mode, click "M" key to enter the function menu , press"▶▶▶" button to select the "Recording", then click "M" key into the recording status (required inserting enough space SD card or U disk in advance).Press "▶||" button to start recording before finished initialize , Press "▶||"

2. Play the content:

Press "M" key for a long time to exit, click "M" key to enter the function menu, selecting the Music mode, click "M" key again into the playback interface, click "M" key, choose the card (U disk) directory, click "M" key to enter the subdirectory, select the "VOICE" folder, click "M" key to open and select the file you want to play, press "M" key to play.

FM radio

1. Stretch out the radio antenna to get a better reception.
2. Click"M" key to enter the function menu, press "▶▶▶" button, select "FM radio."
(In standby state, press FM can also enter fm radio with remote control.)
3. Click "M" key to enter the radio state, click "M" key again to enter the radio function menu .
- 4.Press "▶▶▶" button to select "Auto Scan" and then click "M" key again to start auto scan Searching, searching process takes about three minutes.
5. Your Multi-function Speaker will store automatically the broadcasting stations you have searched.
- 6.Press"◀◀◀" / "▶▶▶" button upward/downward to choose your favorite broadcasting station, long press"◀◀◀" / "▶▶▶"button to forward/backward to fine tuning the radio;, long press "▶||"button can search channel automatically.
- 7.You can also "save / delete / change the channel and recording" and other operations in the Radio function menu.
- 8.Please long press "M" button or press "FM MODE" key with remote control to exit FM radio mode.

Trips

If your situation were worse, you can add one on the radio antenna to extend the line to improve radio sensitivity.

System setting

Click "M" key to enter function menu, press "▶▶▶" button to choose "System setting", click "M" key into "System setting". Setting content includes: "system time, backlight time, language selection, tools, contrast adjustment, firmware version and exit." The "Tools" drop-down menu contains: "OFF set", "Alarm", "Regular FM settings" and etc. Click "M" key can choose the all settings in this option. Press "◀◀◀" / "▶▶▶" button to project selection or setting, click "M" key again to confirm or enter the next submenu. Long press V key for 3 seconds, exit the option to return the previous menu. Click "M" key for a long time to back to standby.

Warm and prompt

- Please use your familiar language; do not set the language you are not familiar with as a system menu language, so as not to affect your normal use
- The alarm clock rings, press any key to turn off the alarm clock

AUX Music input

- Using the stereo audio cable supplied to connect your Multi-function Speaker to your (computer, cell phone, MP3/MP4 player etc.) audio device .Enter the AUX input mode automatically.
- Please do not connect your Multi-unction Speaker to other amplifier output to avoid over-current damage.

Battery Charge

- Initial use, you must charge your Multi-function Speaker with DC IN or Mini USB port , each charge need takes about 2-3 hours. And must be in open state to charge your Multi-function Speaker. You can use the supplied MINI USB cable to connect a computer or other MINI / USB port to charge for your Multi-function Speaker. Also with the universal power adapter via DC IN port to charge for optional (Adapter parameters: DC5V 200-350MA output jack is 3.5MM, jack polarity: inner-core is the positive cathode, outer layer is the negative cathode).

■ When the battery under voltage, the electric quantity shower 图标 of upper-right corner of the LCD display screen will diminish , when the shower of electric quantity 图标 back out means power will be exhausted, due to voltage is too low the machine will shut down automatically at any time, so that to protect your Multi-function Speaker .At this time, it is necessary for you to charge for your Multi-function Speaker, when the power 图标 is full, the shower of electric quantity up to maximum.

- Each charge, Multi-function Speaker can work continuously about five hours .
- Adjust the backlight time or switch off the backlight, to extend battery life.

Tips:

In OFF state, connecting your Multi-function Speaker with the computer to upgrade software

version or manage the file inside your SD card and U disk via the supplied Mini USB cable.

Start using your Multi-function Speaker

- To promote the power (ON/OFF) switch (ON) button, open your Multi-function Speaker.
- Insert your audio equipment to SD/USB port, reading and playing automatically.
- Press "◀◀" / "▶▶" upward/downward to select a track you would like.
- Press "▶||" Play/Pause the music.
- Click "V" key, then press "◀◀" / "▶▶", decrease and increase the volume, click "M" key to exit interface.
- When playing, click "M" key, in its drop-down menu includes: Cycle mode, Audio setting, Repeat mode, Lyrics, back to the Main menu and exit the menu, you can select associated choice as your need.

Safety Warning

In order to use your Multi-function Speaker properly and safely, please read the safety instructions.

Electronic Equipment

When forbidden using the radio equipment rep or equipment's use can cause electronic installation's disturbance and the safe hidden danger, please do close your Multi-function Speaker.

Medical equipment

In expressly prohibit the use of wireless equipment, medical, health care facilities, follow the requirements of the place, and close your Multi-function Speaker.

Flammable region

In an explosive area, turn off your Multi-function Speaker and comply with labeling instructions, so as not to cause an explosion or fire. Explosive area, including but not limited to:

- Gas station.
- fuel area (such as: the ship's hull under the deck).
- Flammable or chemical products, transport and storage facilities.
- signs of explosion risk areas.
- "turn off two-way radio equipment" marked areas.

Traffic Safety

By plane, please comply with airline relating to rules and regulations, the plane took off to close your Multi-function Speaker, so as to avoid security risks.

Notes

During charging and normal operation, your Multi-function Speaker will be slight heat situation,

this is normal. When you clean Multi-function Speaker, turn off the power switch, and disconnect all external connections.

- Please take good care of your Multi-function Speaker and accessories, and as far as possible in a clean environment. Do not let your Multi-function Speaker and accessories contacts such as flame or lighted cigarette butt
- try to make your Multi-function Speaker and accessories to keep dry, do not touch the water and moisture.
- Do not drop, throw or trample your Multi-function Speaker.
- Use a soft cloth to clean anti-static wipe your Multi-function Speaker, do not use chemical substances (such as: alcohol, benzene, etc.), chemical lotion, cleaning wipe of a scrub agent.
- Do not place your Multi-function Speaker and accessories placed in hot or cold areas.
- Please use the attachment area of the company approved.
- Do not attempt to disassemble your Multi-function Speaker,