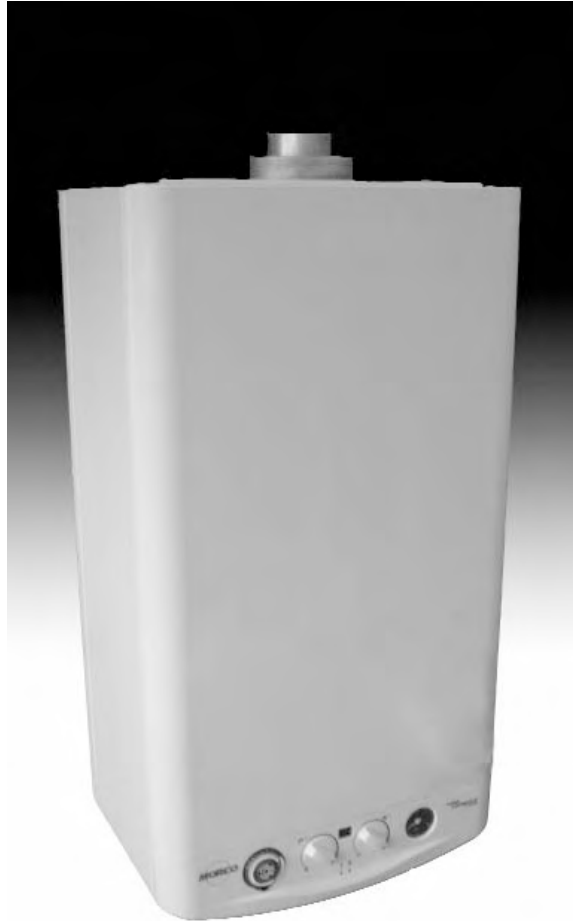


FEB-24ED SUPERCOMPACT USER INSTRUCTIONS AND TECHNICAL INSTRUCTIONS



BOILER OUTPUT

To Domestic Hot Water:

Minimum 7.6 kW (25,932.26 Btu/h)
Maximum 23.7 kW (80,867.71 Btu/h)

To Central Heating:

Minimum 7.6 kW (25,932.26 Btu/h)
Maximum 23.7 kW (80,867.71 Btu/h)

EC-TYPE EXAMINATION CERTIFICATE
PIN0099BN794



Morco House, Riverview Road, Beverley, East Yorkshire, HU17 0LD

Morco Products Ltd

Tel: 01482 325456 Fax: 01482 212869

WEBSITE: www.morcoproducts.co.uk

**CERTIFICADO DE EXAMEN CE DE TIPO
EC-TYPE EXAMINATION CERTIFICATE**

Pg. 1/2

PIN0099BN794

Nº Certificado: **A01/001633** N° de expediente: **A01/S000092**
 Certificate n°: **A01/001633** File number: **A01/S000092**
 Producto: **CAEDERA DE CALEFACCIÓN CENTRAL (TIPO C)**
 Product: **CENTRAL HEATING BOILER (TYPE C)**

Licenciario: **FAGOR ELECTRODOMESTICOS, S. COOP.**
 Licensee: **BO SAN ANDRÉS, 18
 20500 MONDRAGON
 (Guipúzcoa - ESPAÑA)**

Como consecuencia de la aplicación del artículo 1 del anexo II de la Directiva 90/396/CEE, se ha ensayado una muestra del producto y ha resultado conforme con las exigencias esenciales de la Directiva. Este certificado de conformidad no implica valoración del conjunto de los productos fabricados.

As result of applying the article 1 of the Annex II of the 90/396/EEC Directive, a sample of the product has been tested and considered in accordance with the essential requirements of the Directive. This certificate of conformity does not imply the assessment of all the products manufactured.

Este certificado ha sido extendido por un organismo notificado a los Estados Miembros y a la Comisión de las Comunidades Europeas, de acuerdo con las disposiciones del artículo 9 de la Directiva sobre los aparatos de gas (90/396/CEE).

This certificate has been issued by a notified body to the Member States and the European Community Commission, according to the article 9 of the Gas appliances Directive.

PAIS Country	CATEGORÍAS Categories	PRESIONES DE SUMINISTRO Supply Pressures
AT, DK, FI, NO, EE, SE	I2H	20
CY	I3+	28-30/37
DE	I2E	20
ES, GB, IE, IT, CH, CZ	II2H3+, II2H3P, I2H, I3, I3P	20-28/37, 20-37, 20, 28/37, 37
FR, BE	II2E+3+, II2E+3P, I2E+, I3+, I3P	20/25-28/37, 20/25-37, 20/25, 28/37, 37
GR, PT	II2H3+, II2H3P, I2H, I3+, I3P	20-30/37, 20-37, 20, 30/37, 37
LT, MT	I3B/P	30
L.V	II2H3+	20, 28-30/37
NL	I3B, I3P	30, 37
PL	II2E3P, I2E, I3P	20-37, 20, 37
SI, SK	I2H, II2H3P	20, 20-37

TIPO DE INSTALACION Type of Installation	PODER CALORIFICO CALORIFIC VALUE	CODIGO EVACUACION FLUE CODES
Mural / Wall-hung	Hi	C12, C32, C42, C52, C82, B22

Nº Certificado: **A01/001633**
 Certificate n°:

TIPO DE CALDERA Type of Boiler	MARCA TRADE MARK	MODELO MODEL	SERVICIO SERVICE
Mural / Wall-hung	FAGOR	FE-24E	Calefacción y ACS / Heating and production of sanitary hot water
Mural / Wall-hung	MORCO	FEB-24ED	Calefacción y ACS / Heating and production of sanitary hot water
Mural / Wall-hung	MORCO	FEB-24E	Calefacción y ACS / Heating and production of sanitary hot water

Fecha de emisión: **2002-10-03**
 Date of issue:

Fecha de modificación: **2007-12-19**
 Modified on:


Ramón NAZ PAJARES
 El Director General/General Manager

CONTENTS

<u>Section</u>		<u>Page</u>
1	USERS INSTRUCTIONS	4
2	GENERAL SPECIFICATIONS	8
3	TECHNICAL DATA	10
4	GENERAL INSTALLATION REQUIREMENTS	11
5	INSTALLATION INSTRUCTIONS	15
6	COMMISSIONING INSTRUCTIONS	17
7	ROUTINE SERVING INSTRUCTIONS	18
8	TROUBLESHOOTING	19
9	FAULT CODE TABLE	20
10	WARRANTY CONDITIONS	20

1.- USERS INSTRUCTIONS

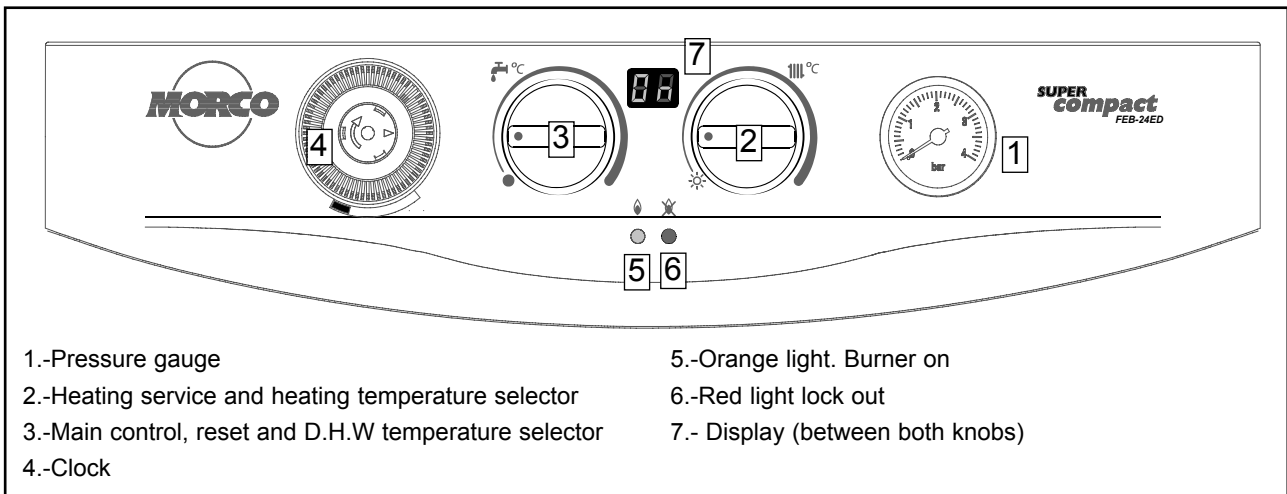
GAS SAFETY (INSTALLATION AND USE) REGULATIONS 1998 (AS AMENDED)

It is the law that all gas appliances are installed by a registered person, in accordance with the above regulations. Failure to install appliances correctly could lead to prosecution. It is in your own interest, and that of safety, to ensure that the law is complied with.

Read these instructions carefully before attempting to operate the appliance. Comply with all applicable warnings. Do not interfere with any sealed components, and use the appliance only in accordance with these instructions.

INTRODUCTION

The Fagor FEB-24ED is wall hung, room sealed, fan assisted, microprocessor controlled, fully modulating gas combination boiler for providing both central heating and domestic hot water.



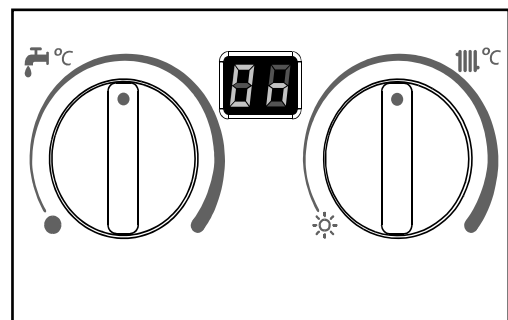
DOMESTIC HOT WATER SERVICE

Turn the left knob (3) in order to turn the boiler on. The display will show "On" indicating that the boiler is ready to supply Domestic Hot Water (DHW) whenever there is demand for it. When a hot tap is opened the boiler automatically fires to deliver hot water and the orange light will come on indicating the burner is on. A water temperature of between 35° and 60° C can be selected by turning the domestic hot water temperature regulating knob. The value selected will be shown in the display when it is changed with the knob.

HOT WATER AND CENTRAL HEATING SERVICE

With the main control switch on and the display showing "On", turn the heating selector knob clockwise from the summer setting.. The boiler will fire up automatically when either the time clock/room stat or boiler stat calls for central heating, or a hot tap is opened for hot water. If a hot tap is opened the boiler gives priority to hot water delivery with the central heating on standby until the tap is closed.

The temperature of the radiators can be selected between 60°C and 85°C by turning the right knob (2) the value will be shown on the display.



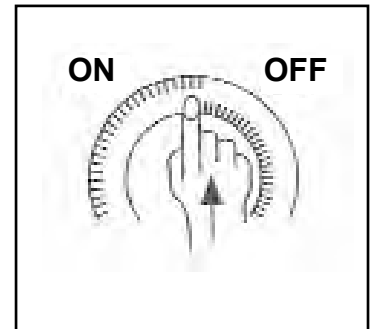
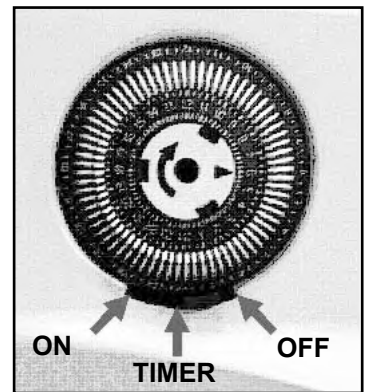
Note: If the boiler has been configured for under floor heating the temperature cannot be altered by the user operating the control knob. Only the pre-set value set up by the installer will be available

USING THE PROGRAMMABLE CLOCK

1. Set the correct time by rotating the minute hand until the arrowhead points at the correct time on the 24 hour dial.
2. Check the position of the manual override switch (just to the bottom of the clock face). This has three positions:
 - Left: is ON overriding the timer mode
 - Middle is timer mode, with ON, OFF, times governed by the time clock.
 - Right position is OFF. The heating will not work at all regardless of the main boiler control switch except if triggered by the built in frost protection thermostat.

3. To set on/off times, move all the white tappets, in the outer ring, between the required 'on' and 'off' times to the outer position. For example, if you want the heating to come on at 6am and switch off at 10am, move all the tappets outwards between these two times. Each tappet represents a quarter of an hour. Set as many on/off times as required within a 24 hour period

N.B. THE TIME CLOCK MUST BE RESET TO THE CORRECT TIME IF THE POWER SUPPLY TO THE BOILER HAS BEEN INTERRUPTED (POWERCUTS/SEASONAL TIME ADJUSTMENT)



RED LIGHT-LOCK OUT

Should the boiler fail to ignite due to lack of gas, or component failure etc. It will "lockout" and the red light will be displayed and the relevant fault code will be shown on the digital display.

Note: To reset, turn the left main control knob (3) to off then turn on again. If the boiler constantly locks out, call your service engineer.

TURNING THE BOILER OFF

Turn the main control switch to the ● position.

NOTE: In this position the automatic safety devices such as frost protection and anti pump seizure are still operative. To shut down completely isolate the mains supply to the boiler.

GENERAL GUIDANCE NOTES ON HOT WATER DELIVERY

The temperature of the hot water is governed by both the ambient temperature of the cold water supply and its flow rate through the boiler. I.E. at a flow rate of 10.0L/min there will be a maximum rise of 35°C above ambient. At a flow rate of 6.8L/min there will be a rise of 50°C above ambient, (the slower the flow rate, the greater the temperature rise).

The flow rate of the hot water is controlled by the hot outlet tap.

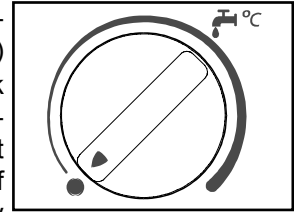
The temperature selector on the boiler is effective only when there is either a low water flow rate or a high ambient water temperature.

- The boiler can theoretically supply more than one outlet simultaneously. However in practice the tap which is nearest will receive the most hot water. If the shower is in use and a kitchen tap is opened virtually all the hot water will be diverted to the kitchen as it offers the least resistance.
- If an outlet is too restrictive it will slow down the flow rate and increase the temperature. For example the shower - ensure the head is free from blockages caused by scale.
- Due to the restrictive nature of simple mixer showers it is wise to turn the temperature selector down on the boiler before using the shower.
- If a tap or shower head is too restrictive due to a fault or blockage, the flow rate will be reduced to below the rate at which the boiler is able to modulate resulting in a wide swing in temperatures. Either fix the restriction or turn the temperature selector on the boiler down.

- **Caution: The boiler can produce water at over 70°C when in central heating mode. If you run a hot tap when the boiler has been heating the radiators, the initial flow through the hot tap could be very hot. DO NOT PLACE YOUR HANDS under the tap or use the shower until this initial flow has passed.**
- **Allow time (30 seconds) for the temperature to stabilise after making an adjustment at the tap before making further adjustments.**

APPLIANCE SAFETY LOCK-OUT

Whenever a malfunction is detected in the boiler, the boiler switches off automatically and the red LED lock-out indicator lights up along with the digital display (see P19). To reset the boiler turn the left main control knob (3) to the ● position and go back to the chosen position. Some lockout sequences require the sensors to cool to within normal operating temperatures before the boiler will reset. The red indicator light should go out. **IMPORTANT:** Whenever the boiler has been left idle for any length of time, or when a new gas bottle is installed (propane models), the appliance may switch off due to the presence of air in the pipes. In cases such as these, repeat the ignition operation until all of the air has been purged from the system.



FROST PROTECTION

Providing the boiler power supply and gas supply is connected the boiler will automatically fire on minimum when near freezing conditions are detected. When the temperature in the system reaches 20°C it will switch off. For winter storage see notes at the end of this section.

NOTE: It is still necessary to drain the domestic hot and cold water system.

ANTI PUMP SEIZURE DEVICE

When central heating is not being used, but the boiler is in the summer setting (for domestic hot water only) the pump will automatically run for 30 seconds every 23 hours to prevent it seizing. If the appliance has been shut down with the electrical supply switched off for a period, this device will not work. The pump may be found to have jammed when the appliance is switched back on. If so, consult your installer or service engineer.

NOTE: Seized pumps are not covered under warranty.

PRESSURE GAUGE

The pressure gauge should indicate approximately between 0,8 and 1,6 bar. If the pressure is seen to decrease over a period of time there is a water leak on the central heating system.

The boiler is fitted with a safety device to prevent it working below a pressure of 0.8 bar.

ROUTINE SERVICING

To ensure continued safe and efficient operation of the appliance it is recommended that it is checked and serviced as necessary at regular intervals. The frequency of servicing will depend upon the particular installation conditions and usage but in general once a year should be regarded as a minimum even if only occasional usage has occurred.

It is the law that any service work **MUST** be carried out by a competent gas registered engineer.

SAFETY

It is essential that these instructions are strictly followed for the safe and economical operation of this appliance. The appliance is a fan-assisted room sealed gas boiler and therefore the flue terminal **MUST NOT BE OBSTRUCTED** under any circumstances. If it is damaged, turn off the appliance and consult your installer, or service engineer. If it is known or suspected that a fault exists on the appliance it **MUST NOT** be used until the fault has been rectified by a competent gas registered engineer.

PRECAUTIONS AGAINST FREEZING DURING WINTER STORAGE

If the holiday home is to be un-occupied during cold periods, and whenever there is a threat of freezing, the domestic hot and cold water circuit must be drained as follows:

-Turn off the cold water supply.

-Open all hot and cold taps.

-Open all drain plugs in the hot and cold water system (Do not drain the central heating circuit which should have been filled with antifreeze) **If the boiler is installed in a Caravan Holiday Home, refer to the user manual for the home, for the positions of all drain plugs.**

Note: There are no drain plugs fitted to the actual boiler.

-Leave all taps and plugs open until the boiler is next needed for service. This will allow any residual water to continue to drain.

NOTES ON FROST PROTECTION

The boiler inbuilt frost protection feature is designed primarily to prevent damage to the heating circuit and radiators. It will not protect the hot and cold water pipes from freezing under the holiday home and will provide only a limited protection to the boiler pipework and hot and cold pipework inside the holiday home.

The heating circuit and radiators should contain the correct level of antifreeze to prevent damage during freezing conditions and should not be drained down.

For the frost feature to work, the gas supply must be left on and the electrical power supply (wall socket), must be connected and switched on, the central heating control knob on the boiler must be in the off position.

Do not rely on the boiler frost protection to prevent freezing of the hot and cold water pipes, including those inside the boiler during severe frost conditions, it will not.

ALL FROST DAMAGE IS OUTSIDE OF THE WARRANTY

2.- GENERAL SPECIFICATIONS

The Fagor FEB-24ED is a wall hung, room sealed, fan assisted, microprocessor controlled fully modulating gas combination boiler for providing both central heating and domestic hot water. It is particularly suitable for Caravan Holiday Home and Park Home use. Maximum heat output in either heating or hot water mode is 23.7.kW (80.840 Btu/h), and priority is always given to the supply of hot water.

NOTE: The central Heating power is factory set at 70% of its maximum.

The appliance flue is supplied separately with a concentric air/flue duct and wall terminal, however additional extension kits, vertical flue kit are available as optional extras.

The appliance is intended for use with sealed central heating systems and is supplied for use with propane gas.

The appliance includes the following components:

Induced draught fan for the extraction of combustion products and induction of combustion air.

Modulating gas valve with double safety valves

Circulation pump with manual anti-seizure device

Central heating expansion vessel.

Differential air pressure switch. Prevents the boiler firing if there is insufficient air supply due to a fault or blockage.

Water pressure switch. Prevents the boiler firing if there is less than 0.5 bar in the system.

Thermistors (NTC) There are two thermistors fitted for automatic control of the domestic hot water and the central heating flow temperature.

Safety thermostat Shuts down the boiler in the event of overheating. Resets after a few minutes cooling

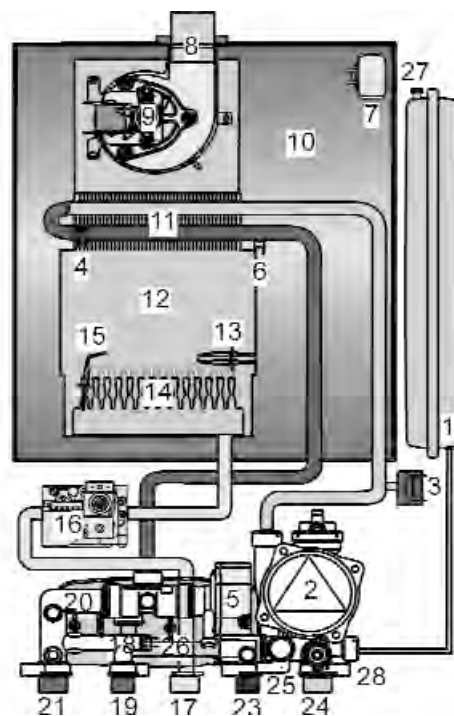
Electronic controls, incorporating the following features:

- Temperature selection for central heating from between 60 to 85°C (Pre-set between 40° to 60°C for under floor heating).
- Temperature selection for domestic hot water from between 35 to 60°C.
- Continuous modulation of the gas valve.
- Flame control by ionisation
- Ignition control
- Anti-frost control in the central heating circuit.
- Anti - seizure of the pump.

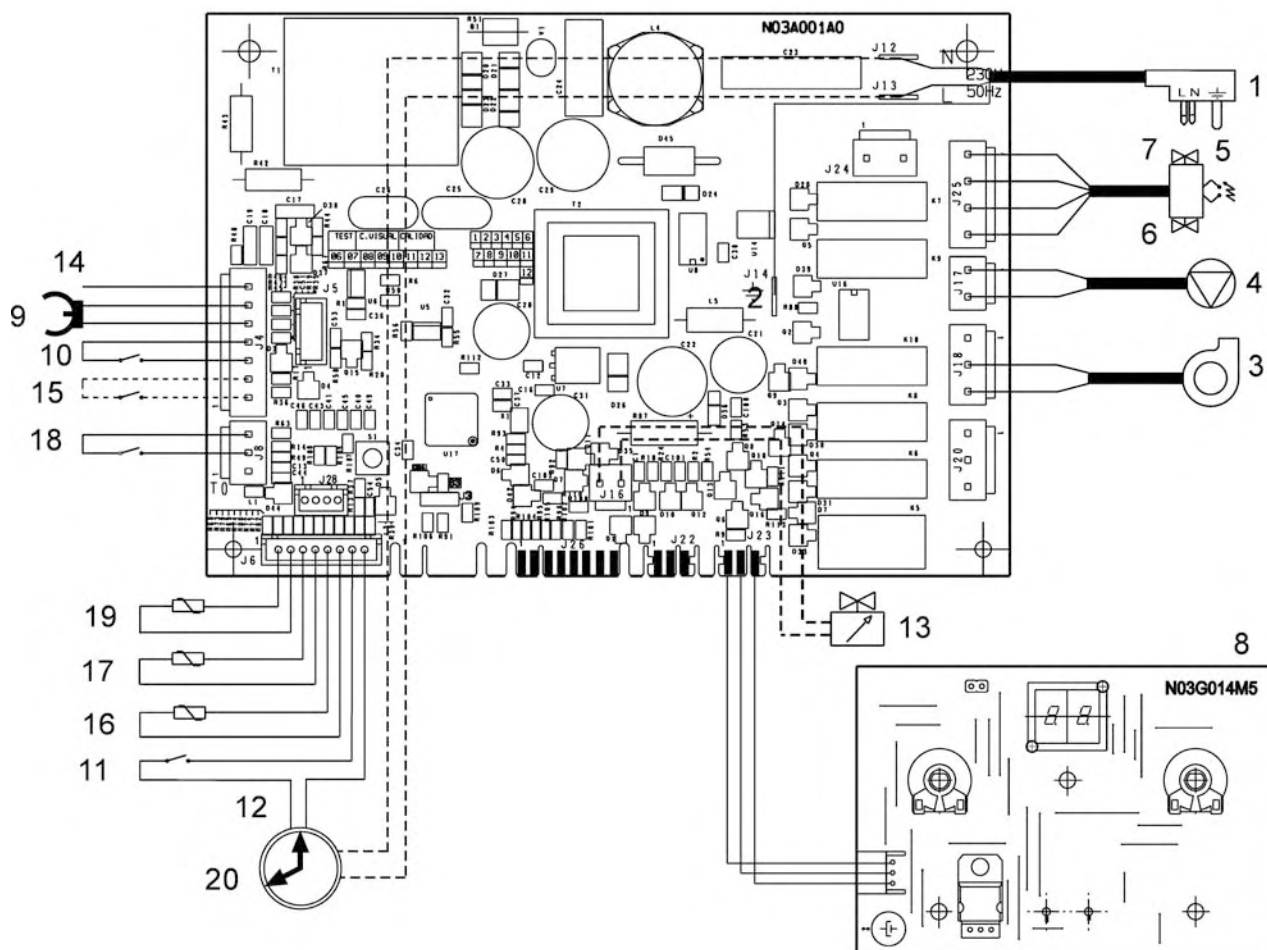
Schematic diagram- Hydraulic circuit

- 1.- Expansion vessel
- 2.- Pump with Automatic air bleed
- 3.- Water pressure switch
- 4.- Central heating thermistor
- 5.- Three way valve
- 6.- High limit thermostat
- 7.- Air pressure switch
- 8.- Venturi
- 9.- Fan
- 10.- Sealed air box
- 11.- Copper heat exchanger
- 12.- Combustion chamber
- 13.- Ignition electrode
- 14.- Burner
- 15.- Flame sensing electrode
- 16.- Modulating gas valve
- 17.- Gas inlet
- 18.- D.H.W Thermistor
- 19.- Hot Water outlet
- 20.- Plate heat exchanger
- 21.- C.H flow
- 23.- Cold water inlet
- 24.- C.H return
- 25.- Pressure relief valve
- 26.- Automatic By-pass

- 27.- Expansion vessel valve
- 28.- Draining valve (C.H.)



FEB-24ED ELECTRICAL CIRCUIT DIAGRAM



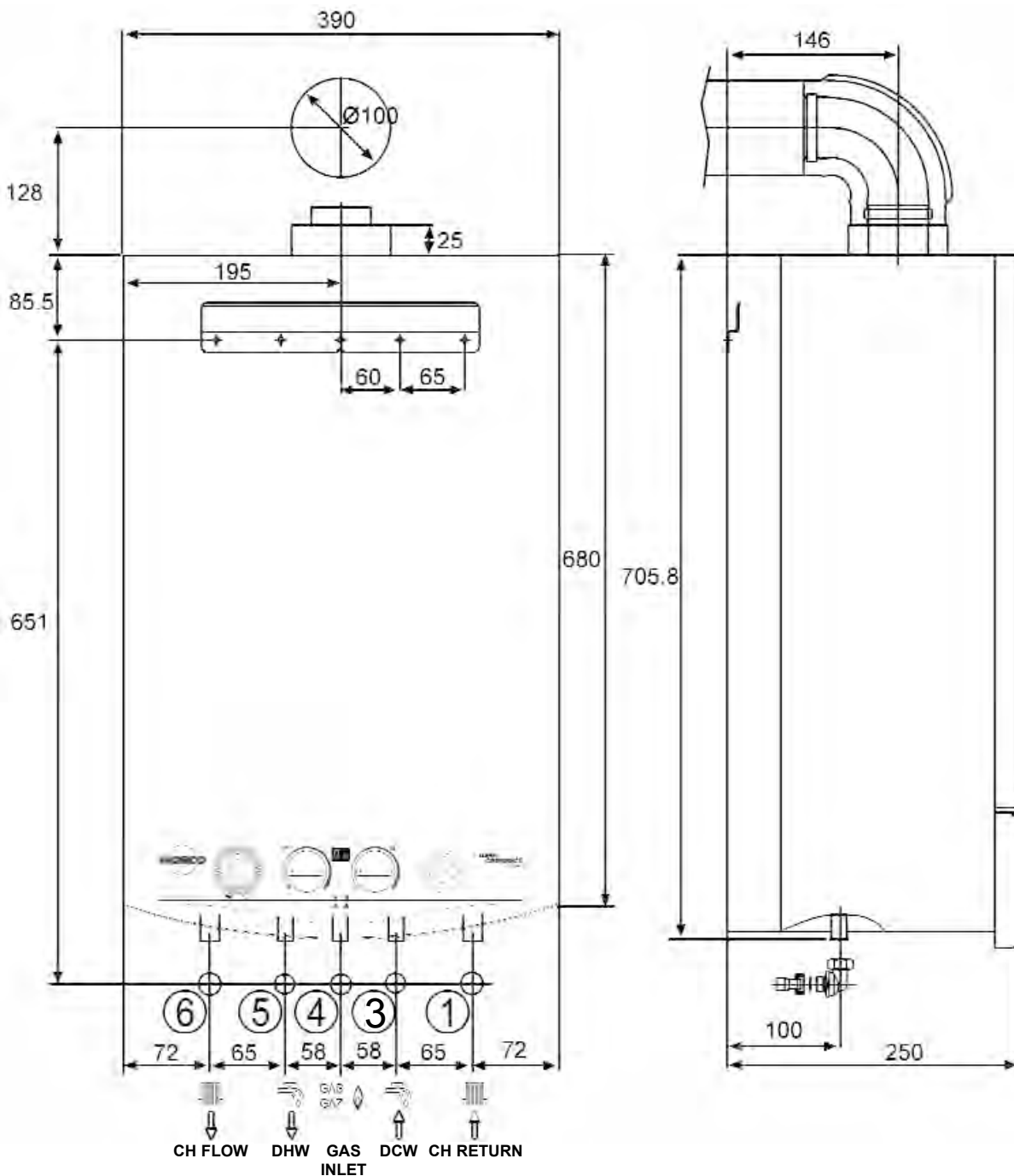
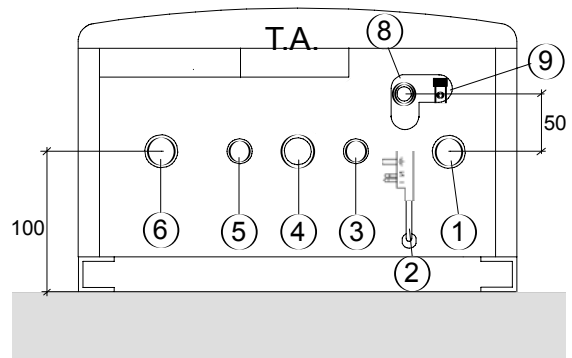
- | | |
|------------------------------|--|
| 1.- Mains Connection | 11.- Room Stat (optional) |
| 2.- Earth | 12.- Clock Connection |
| 3.- Fan | 13.- Modulating Solenoid Valve |
| 4.- Pump | 14.- Flame Sensor |
| 5.- Ignition | 15.- High Limit Stat |
| 6.- Burner Solenoid Valve 1 | 16.- Hot Water Thermistor |
| 7.- Burner Solenoid Valve 2 | 17.- Central Heating Thermistor |
| 8.- Front Panel Control | 18.- Central Heating Low Pressure Switch |
| 9.- 3 Way Valve Micro Switch | 19.- External Probe |
| 10.- Air Pressure Switch | 20.- Clock |

3.- TECHNICAL DATA

Model		FEB-24ED	
Category		II2H3P	
Type		C ₁₂ , C ₃₂ , C ₄₂ , C ₅₂ , C ₈₂ , B ₂₂	
Central heating and domestic hot water performances.	Maximum output	kW	23.7
		Btu/h	80,840
	Minimum output	kW	7.6
		Btu/h	26,151
Nominal central heating and domestic hot input (Gross)	Maximum	kW	28.9
	Minimum	kW	9.2
Nominal central heating and domestic hot water input (Nett)	Maximum	kW	26
	Minimum	kW	8.3
Domestic hot water flow rate at 25°C (l/min)			13.6
Domestic hot water flow rate at 35°C (l/min)			9.7
Nominal D.H.W. flow rate at 34°C (l/min)			10
Minimum flow rate for activating D.H.W. (l/min)			2
Operating pressure (bar)	Maximum	Central heating	2.5
	Maximum	D.H.W	10
	Minimum D.H.W. activation		0.3
Expansion vessel capacity (1)			7
Temperature selection range (°C)	Central heating circuit	Radiators	60-85
		Floor heating	40-60
	D.H.W.circuit		35-60
Gas inlet pressure (mbar)	Natural G-20		20
	Propane G-31		37
Gas consumption (Hi)	Natural G-20 (m3/h)		2.75
	Propane G-31 (kg/h)		2.04
Electrical supply (V/Hz)			230V~50Hz
Max.power consumption (W)			120
Dimensions (mm)	Height		680
	Width		390
	Depth		254
Minimum clearance (mm)	Top		200
	Bottom		150
	Sides		5
	Front		5
	Gas inlet		3/4 BSP
	Domestic cold water inlet		1/2 BSP
	D.H.W.outlet		1/2 BSP
	Central heating flow		3/4 BSP
	Central heating return		3/4 BSP
Net weight (kg)			29
Type of gas	Propane G-31		X
92/42/EEC Directive			**

DIMENSIONS AND CONNECTIONS DETAILS

- 1.- 3/4" BSP Central heating return
- 2.- Mains cable
- 3.- 1/2" BSP Domestic cold water inlet
- 4.- 3/4" BSP Gas inlet
- 5.- 1/2" BSP D.H.W. outlet
- 6.- 3/4" BSP Central heating flow
- 8.- Pressure Relief Valve
- 9.- Draining valve for central heating
- T.A.: Room thermostat connection



4.- GENERAL INSTALLATION REQUIREMENTS

4.1 RECOMMENDATIONS

FOR THE USER

This appliance must be installed, adjusted or adapted for use with another type of gas, only by a qualified and competent person.

Its quality and a correct installation will ensure that your heater works properly.

GAS SAFETY (INSTALLATION AND USE) REGULATIONS 1998 (As amended).

It is the law that all gas appliances must be installed by a registered person, in accordance with the above regulations.

Failure to install appliances correctly may lead to prosecution.

It is in your own interest, and that of safety, to ensure that the law is complied with.

In addition to the above regulations, this appliance must be installed in accordance with the current IEE Wiring regulations, Heath and Safety Document No 635 'The Electricity at Work Regulations.

It should also be in accordance with the relevant recommendations in the current editions of all relevant National Standards. Your particular attention is drawn to the following standards relevant to an installation in Leisure Accommodation Vehicles:

BS 5482 part 2 Installations in caravans and non permanent dwellings.

BS 5482 Part 3 Installations in Boats

BSEN721 Leisure accommodation vehicles ventilation requirements.

BSEN 1949 Installation of LPG System for Habitational Purposes in Leisure Accommodation Vehicles.

IMPORTANT: Manufactures instructions must NOT be taken in any way as over-riding statutory regulations.

4.2 BOILER LOCATION

In positioning the boiler, the following limitations MUST be observed:

The position must allow for a suitable flue termination to be made.

The combination boiler must be installed on a flat vertical wall capable of supporting its weight .

- If the boiler is in a room containing a bath or shower, the boiler controls and power supply must be so situated that they can not be touched by the person using the bath or shower. Attention is drawn to the current IEE Wiring Regulations, and in Scotland the electrical provisions of the Building Regulations applicable in Scotland.

- A compartment used to enclose the appliance MUST be designed and constructed specifically for the purpose. An existing cupboard, or compartment, may be used provided it is modified accordingly.

- Ventilation requirements as stated in this manual must be observed.

- Minimum clearance as stated in the technical data must be observed.

4.3 FLUE TERMINAL POSITION

- The boiler MUST be installed so that the terminal is exposed to the external air.

- It is important that the position of the terminal allows free passage of air across it at all times.

- It is ESSENTIAL TO ENSURE, that products of combustion discharging from the terminal cannot re-enter the building, or vehicle, through ventilators, windows, or other sources of natural air infiltration, such as other flues etc, with the exception of doors, but not the opening windows thereof.

- The minimum acceptable dimensions from the terminal to obstructions and ventilation openings is as follows:

Directly below an opening fixed vent windows, etc.	300mm
Adjacent to an opening fixed vent windows, etc.	300mm
Below gutters.	75mm
Below eaves	200mm
From a vertical drain pipe or soil pipe	75mm
From an internal or external corner	300mm
Vertically from a terminal on the same wall	1500mm
Horizontally from a terminal on the same wall	300mm

Where the terminal is fitted in a position to which children, the elderly, or disabled people have access (less than 1.5m above steps, decking or ground), a suitable terminal guard should be fitted.

In certain weather conditions the terminal may emit a plume of steam.

4.4 MINIMUM CLEARANCES

Minimum clearances of 5mm to the front and sides of the boiler must be observed. However full access from the front in the form of an opening door, must be given to allow access to the controls and for servicing.

200mm above the top of the boiler case is required for the flue assembly.

150mm is required below the boiler to allow easy access to the gas isolation cock.

4.4 VENTILATION REQUIREMENTS

The following notes are for general guidance:

- The Morco FEB-24ED is a room sealed appliance and needs no purpose provided combustion air ventilation.
- If the boiler is to be built into a small cupboard or compartment (i.e. at minimum clearances) and overheating can be foreseen (i.e. close proximity to a cooking appliance etc) permanent air vents are recommended for cooling purposes in the cupboard or compartment. The following table gives the minimum effective areas of the vents.

Position of air vent	Air from room/int space	Air direct from outside
HIGH LEVEL	13000 mm ²	7500 mm ²
LOW LEVEL	13000 mm ²	7500 mm ²

4.5 ELECTRICITY SUPPLY

A 3 amp fused three pin plug for use with 230V-50Hz is supplied fitted to the appliance.

It should be used with a shuttered socket outlet complying with BS 1363

THIS APPLIANCE MUST BE EARTHED

4.6 GAS SUPPLY

- A Propane gas supply at 37m bar is required.
- Ensure the regulator is of sufficient capacity to carry the maximum boiler input plus the demand for any other installed appliances.
- Ensure the connection between the supply/bottle and the caravan holiday home or park home is designed so that no pressure drop occurs.
- No more than 3 m of 15mm pipe should be used. Where the supply exceeds 3 m the pipe should be suitably sized only reducing to 15mm before the boiler
- A full bore isolation cock must be fitted in the supply close to the boiler or use morco part number FW0391.
- The complete installation must be tested for gas soundness.

4.7 WATER SYSTEMS - GENERAL

- This appliance is designed for connection to sealed central heating water systems.

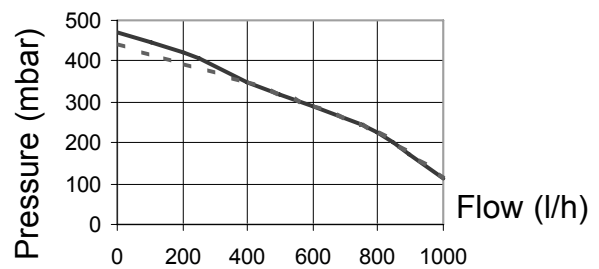
- Prior to filling the central heating system (see section 6.2) It is recommended that where the system is installed in a caravan holiday home, subject to non-continuous use, anti-freeze is used.

4.8 REQUIREMENTS FOR SEALED WATER SYSTEMS

The heating system design should be based on the following information:

- The available pump head is given below.
- A minimum flow rate corresponding to a heating differential of 20°C must be obtained at all times.
- A heating by-pass should be fitted to ensure that the above condition is satisfied. If thermostatic radiator valves are to be installed, at least one radiator should be without a thermostatic valve (usually the bathroom radiator).
- A sealed system must only be filled by a competent person using an approved filling loop connected between the mains water supply pipe and the central heating return pipe. Once filled the loop should be disconnected and left adjacent to the boiler.

AVAILABLE PUMP HEAD

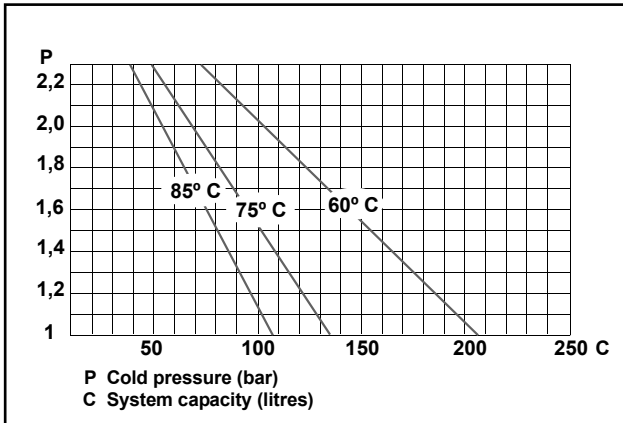


— by-pass closed - - - by-pass open - The fol-

lowing paragraphs outline the specifications of the items fitted to the boiler.

Expansion vessel.

The following table gives the maximum system volume that the integral 7 l expansion vessel can sustain under different temperature conditions. If the system volume exceeds that shown, an additional expansion vessel must be fitted and connected to the heating system primary return pipe as close as possible to the appliance. If an extra vessel is required, ensure that the total capacity of both vessels is adequate. If the pressure gauge indicates 2.2 bar or greater when the appliance is at maximum temperature with all radiators in circulation an extra expansion vessel is required.



Pressure relief valve

A pressure relief valve set 3 bar (43.5psi) is fitted and a discharge pipe is routed to the outside of the appliance. This discharge pipe should be extended to terminate safely away from the appliance to a point where a discharge would not cause damage to persons or property but would be detected. The pipe should be able to withstand boiling water, be a minimum of 15mm in diameter, and not include any upward pipe runs or horizontal runs prone to freezing.

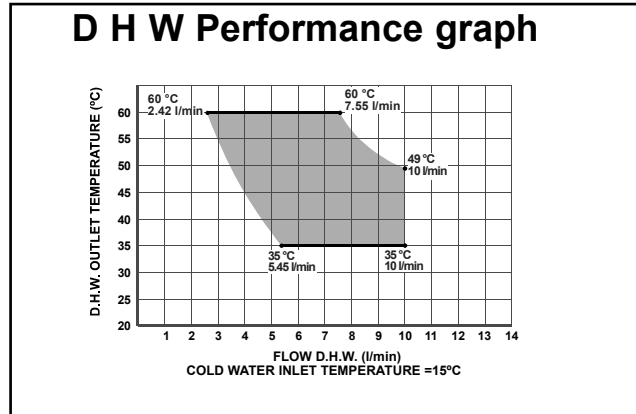
4.9 D.H.W. SYSTEMS

- Check that mains supply pressure is within the prescribed limits (refer to 'technical data' page 7) If necessary, a pressure reducing valve should be fitted to the mains supply before D.H.W. inlet connection.

- The DHW performance is summarised in the graph:

- The final 1000 mm (40 in) of the mains supply pipe to the boiler must be copper.

- If the appliance is installed in an area where the temporary hardness of the water supply is high, say



over 150 ppm, the fitting of an in line scale inhibitor may be an advantage.

- Devices capable of preventing the flow of expansion water: e.g. non return valves and/or loose - jumpered stop cocks should not be fitted unless separate arrangements are made for expansion water.

- If a non-return valve is fitted in the incoming water supply - e.g. in line with scale inhibitor then a D.H.W. expansion vessel MUST be obtained and fitted.

- For specific information relating to fittings (example: Shower, washing machines etc.) suitable for connection in the D.H.W. circuit, consult the Local Water Undertaking, however the following information is given for guidance.

Domestic hot/cold water supply taps and mixing taps - All equipment designed for use at mains water pressure is suitable.

Showers - Any mains pressure shower is suitable, but if the unit has a loose head which may become immersed in bath water either an anti-syphonage device must be fitted, or the length of the flexible hose must be reduced so that it cannot fall closer than 13 mm (1/2 in) to the top of the bath.

5.- INSTALLATION INSTRUCTIONS

5.1 BOILER PACKAGING

The boilers are supplied in different packagings:

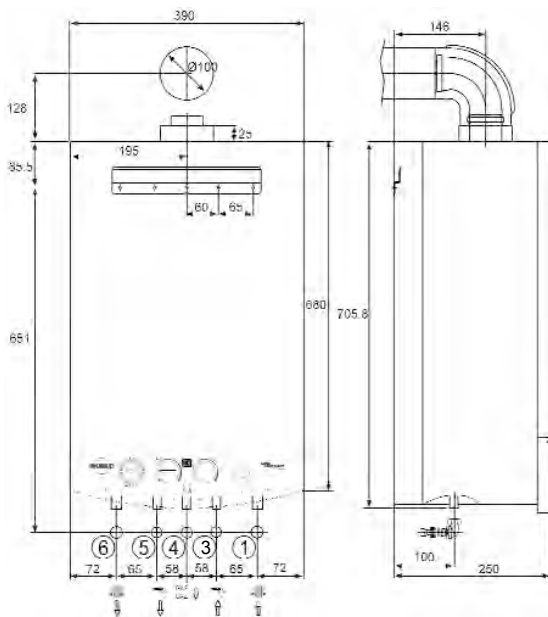
- Boiler
- Flue system (separate packaging)

5.2 FITTING THE BOILER.

- Decide where the boiler is to be fixed on the wall taking into account the installation requirements detailed in section 4.2 and the clearances and dimensions described in the technical data.

The centres for the hanging strap fixing are 85mm below the top of the boiler casing, see fig below. The flue pipe centre is 213mm above the hanging strap centres. NOTE: a fall of about 2° - 3° should be allowed on the flue pipe to stop water ingress into the boiler.

A screw fixing should be made on the bottom rail of the boiler to secure it during transport.



5.3 WIRING INSTRUCTIONS

Warning: observe the usual precautions to ensure that the electricity supply is isolated before commencing any installation or service work.

- The appliance is fitted with a 3 amp. fused 3 pin plug for use with 230 V~50Hz. It should be fitted to a shuttered socket outlet complying with BS 1363

WARNING: THIS APPLIANCE MUST BE EARTHED.

ROOM THERMOSTAT:

This appliance may be used in conjunction with an external room thermostat.

The voltage between the contacts of the room ther-

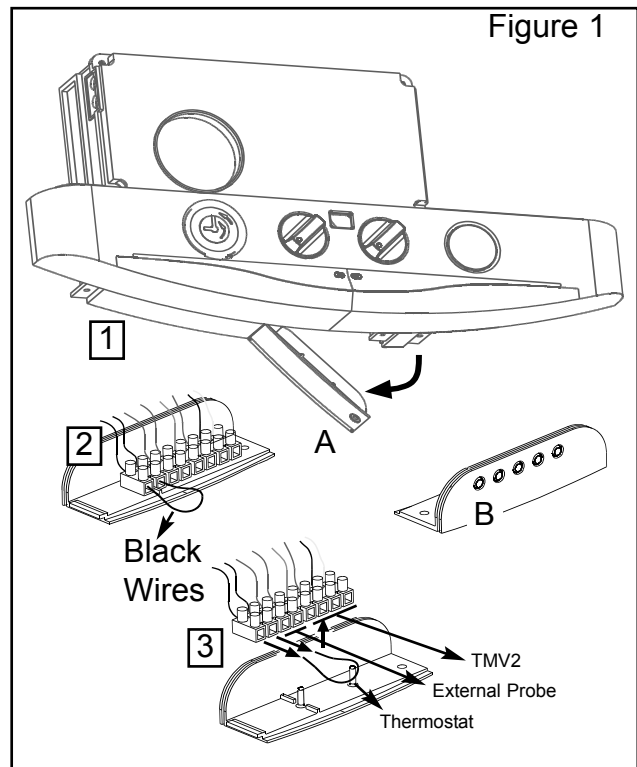
mostat is 24V (normally closed). Any 24V controls may be used, but gold contacts are recommended.

DO NOT under any circumstances use a mains supply to the stat as you will damage the P.C.B. Only voltage free switching stats should be used.

Connection of a room thermostat (optional). Proceed as follows:

- Unscrew the screw (A) as it shows figure 1, open the bottom cover, where the connector of the room thermostat is placed.
- Press out the plastic disc (B) using a screwdriver to form a hole so you can pass through the wires of the room stat.
- Replace cover.

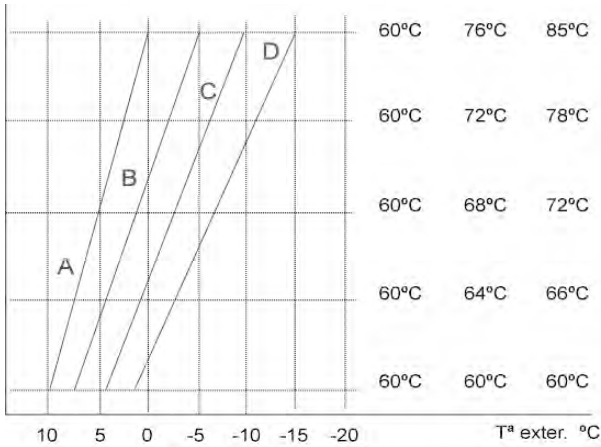
The room thermostat must be installed on a wall which is free from any objects and free from direct contact with either sunlight or draughts.



External Probe connection Type 10K-25°C, B3435 1% (25-85) (where available).

- Press out the plastic disc (B) using a screwdriver to form a hole so you can pass through the wires of the external probe.
- Connect the external probe wires to the free holes with red wires in the other side..
- Configure the external probe curve in installation menu.

External Probe Curves



5.4 WATER AND GAS CONNECTION

Connect the boiler up in such a way as to leave the connecting pipes self supporting and free from any stress.

Check that the gas pipe complies with the requirements of section 4.6

In order for the boiler to function correctly and to have a long working life, the central heating system must be properly designed, making sure that the temperature difference between the flow and the return will not be greater than 20°C.

5.5 AIR/FLUE SYSTEM

The flue system is a part of the appliance and is approved as such. Use only flue systems supplied by Morco witech are approved for use with this boiler.

The standard flue kit for the FEB-24ED is a 600mm horizontal coaxial air/flue kit (part number RSF003), as shown below.

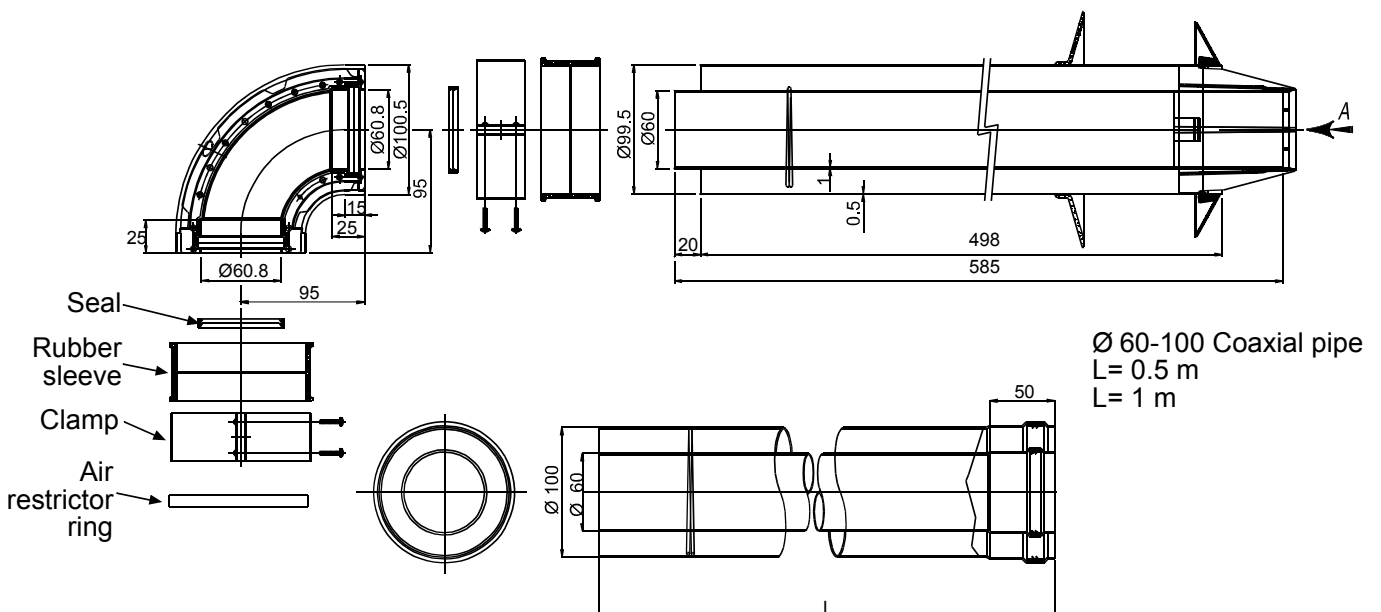
There are various other options available, including a vertical flue kit.(part number RSF040)

Please ask for details.

The horizontal pipe may be cut down to the length required. The flue must be fitted with a .2° or 3° downwards incline to prevent any water or condensation from entering in the boiler.

Where a short run of less than 1 m is used, such as in a caravan holiday home, the air restrictor ring must be inserted into the boiler flue spigot before fitting the elbow.

HORIZONTAL FLUE Ø 60-100mm COAXIAL



6.- COMMISSIONING INSTRUCTIONS

Before commissioning the appliance, the whole gas installation including the meter (if fitted) MUST be purged and tested for gas soundness.

IMPORTANT: open all doors and windows, extinguish naked lights, and DO NOT SMOKE whilst purging the gas line.

Before commencing the commissioning procedure, ensure that the central heating system and the domestic hot and cold water system have been flushed. This will remove contamination which could block the filters fitted to the cold inlet and C.H. return connections resulting in incorrect functioning of the boiler.

6.1 DOMESTIC HOT WATER

Turn on the Mains cold water isolation valve..

Fill and vent the installation by turning on the various hot water taps in the installation

Make sure that there are no leaks in the installation.

6.2 CENTRAL HEATING CIRCUIT

In order for the boiler to function correctly, the pressure in the central heating circuit must be between 0.8 and 1.6 bar when cold.

Both the boiler and the central heating installation must be purged of any air in the water pipes which may cause noise/malfunctions/damage to the boiler. The boiler is fitted with an automatic air vent always ensure that the vent cap is loose prior to commissioning.

In order to fill the installation correctly the following sequence must be followed:

- Open one or more radiator bleed vent screws.
- Fill the central heating circuit using the approved method given in section 4.8
- Turn off each of the air vents as water starts to appear from them.
- Turn off the filling tap when the pressure gauge exceeds 1.6 bar.
- Turn the main control switch to the winter setting, making sure that the pump runs. The pump will not run if there is insufficient pressure.
- Vent the central heating circuit once more. Then let the pressure in the circuit settle at 1.6 bar. If necessary open the pump drain to reduce the pressure in the system.
- Make sure that there are no leaks in the installation.

6.3 GAS CIRCUIT

Purge the gas circuit as described above. Turn on the gas cock to the installation and check that there are no leaks using leak detection fluid.

6.4 SETTINGS

Before leaving the factory the boiler is pre-set in accordance with the information on the data plate, and therefore needs no further adjustment.

6.5 INITIAL OPERATION

6.5.1 Preliminary warnings

- Make sure that the central heating circuit is completely full and vented. The pressure gauge should indicate a pressure of between 0.8 and 1.6 bar.
- Make sure that the air intake and the flue outlet are not blocked.

6.5.2 Domestic hot water service

To turn on the boiler turn the main control switch, the green light shows, or 'ON' can be seen in the display. The boiler is then ready to supply D.H.W. on demand.

Whenever a hot tap is opened the boiler automatically fires up to deliver hot water. The temperature selector control should be set at maximum. If the ambient water temperature is high (as in a hot climate) then the hot water temperature may be reduced by using this knob.

6.5.3 Hot water and central heating service

Set the tappets on the time clock to an on position and the main control switch on so the green light is on. The room stat (if fitted) to max temp. Then turn the central heating selector clockwise. The boiler will fire up. By means of the central heating temperature selector control knob, any water temperature of between 60 and 85°C, may be selected. The boiler will remain on until the temperature selected on the room thermostat or on the boiler itself is reached.

NOTE: If the boiler has configured for under floor heating then only the temperature entered in the installer menu will be available. turning the control knob will have no effect.

Whenever there is a demand for D.H.W. on the central heating setting, the boiler is ready to supply it giving priority to the D.H.W. with the central heating on standby until the D.H.W. demand ceases.

6.5.4 Turning the boiler off

- Turn the main control switch to the ● setting.
- Turn off the gas supply to the boiler.

6.5.5 Appliance safety lock-out

If the boiler develops a fault the red LED will illuminate, and the digital display show the relevant fault code (see P19)

To restart the boiler Set the main control on the ● position and then turn it back to the chosen position. The red LED should go out.

IMPORTANT: Whenever the boiler has been left idle for any length of time, or when a new gas bottle is installed (propane models), the appliance may switch off due to the presence of air in the pipes. In cases such as these, the main control switch may be turned to ● position several times until all the air is expelled.

6.6 FINAL CHECKS

- Re-light and test for gas soundness
- Set the C.H. and D.H.W. temperature selectors to the required settings.
- Ensure that the time clock and/or room stat (if fitted) are set to the required setting (s).

7.- ROUTINE SERVICING INSTRUCTIONS

To ensure continued efficient operation of the appliance, it is recommended that it is checked and serviced as necessary at regular intervals. The frequency of servicing will depend upon the particular installation conditions and usage but in general once a year should be adequate.

It is the law that any service work must be carried out by a competent gas registered engineer.

Before commencing any service operation, ISOLATE the mains electric supply, and TURN OFF the gas supply at the main service cock. Service the appliance by following the full procedure detailed below.

MINIMUM CLEARANCE REQUIRED FOR SERVICING AND REPLACEMENT OF PARTS

* Distance at the side

The minimum distance necessary for carrying out maintenance operations, is 5 mm

* Distance at the top

The minimum distance necessary for carrying out maintenance operations, is 200mm

* Distance at the bottom

The minimum distance necessary for carrying out maintenance operations, is 250 mm.

* Distance at the front

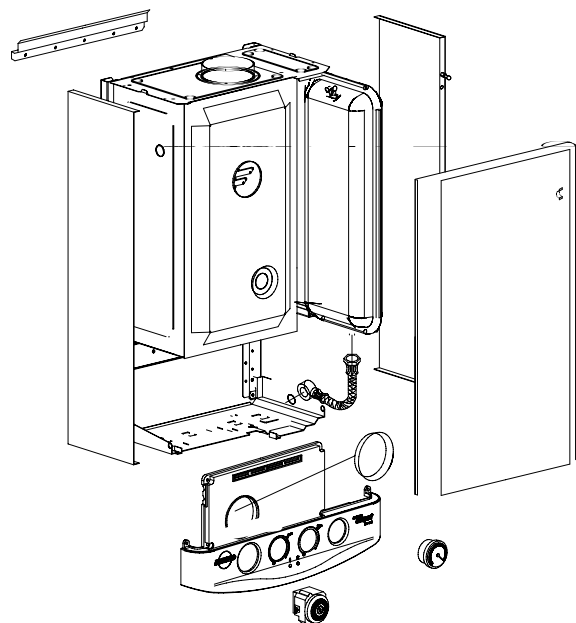
The minimum distance necessary for access during maintenance operations, is 250mm, although this

6.7 USER'S INSTRUCTIONS

Upon completion of testing the system, the installer should:

- Give the 'users Instructions' to the owner and emphasise their responsibilities under the "Gas Safety (Installation and Use) Regulations 1998"
- Explain and demonstrate the lighting and shut down procedures.
- Advise the owner on the efficient use of the system, including the use and adjustment of all system controls for both D.H.W. and C.H.
- Advise the user of the precautions necessary to prevent damage to the system, and to the building, in the event of the system remaining inoperative during frost conditions.
- Explain the function of the boiler lock-out devices, and how to reset it. Emphasise that if cut - out persists, the boiler should be turned off and the installer or service engineer consulted.
- Stress the importance of an annual service by a competent gas registered engineer.

distance may be reduced to 5 mm, as long as a door is installed which can be removed when it comes to carrying out maintenance work.



FRONT COVER REMOVAL

The cover is held in place by four spring clips and can be removed by grasping it at the top and pulling forward sharply to release.

Further access can be gained by removing the control panel. (Four screws), and moving down the electronic box.

FAN CLEANING

Remove the fan (3 screws) and using a soft brush remove any build up of debris from the fan blades.

BURNER AND HEAT EXCHANGER INSPECTION AND CLEANING

The front of the sealed air box must first be removed (8 screws) and care should be taken to avoid damaging the seal. The combustion chamber cover can then be removed (6 screws) and gas connections taking care not to damage the delicate insulation material inside.

Inspect the burner and heat exchanger fins for debris and soot. Check also for rubbish below the burner.

IGNITION AND DETECTION ELECTRODES

With the combustion chamber cover removed check the condition of the electrodes for any sign of wear or damage.

WATER CIRCUIT CHECKS

Inspect the pipe work inside the boiler for leaks. Check that the pressure in the system is correct (0.8 to 1.6 bar).

Check the correct operation of the gauge. The pressure should increase slightly as the temperature

rises. Finally check the filters which is situated in the cold water inlet pipe

BURNER PRESSURE

This is factory set, but should you suspect a problem proceed as follows: There is an easily accessible burner pressure nipple on the gas feed pipe, between the burner and the modulating gas valve.

The burner pressure nipple should give a reading of 35 mbar when the boiler is at full power on D.H.W. mode. Remove the main cable plug to the gas valve to get a minimum burner pressure reading which should be 4,4 mbar.N.B. There is a logic program built into the central heating enabling it to detect when it is connected to a small system. This may prevent the burner from firing on full (max press) so ensure burner pressure is only tested in DHW mode.

FINAL CHECKS

Turn all the controls to their max position so that the appliance begins to function. Check for gas leaks using a suitable detector.

Check the boiler functions correctly in both central heating and domestic hot water modes. The green light will start flashing when the boiler is firing in either mode. Check the amber LED illuminates when a flame is detected in either central heating or domestic hot water modes.

8.- TROUBLESHOOTING

COMMON PROBLEMS

1. Hot water temperature at the taps will be reduced, as the temperature of the mains cold water supply is colder during the winter period.
2. The gas supply to the boiler has run out, or is about to run out, near empty propane gas bottles will supply enough gas to run low power appliances such as cookers and gas fires, but will fail to supply high powered appliances such as the combination boiler.
3. During busy periods, the mains cold water supply to the boiler may be subjected to variations in pressure, this will result in fluctuations in the hot water temperature at the hot water outlet.
4. If the mains power supply to the boiler has been interrupted or turned off, then the time clock on the boiler must be reset to the correct time, if the boiler is to be operated in the timed sequence in central heating mode.

The FEB-24ED has a self diagnostic system built into its printed circuit board. Should a safety related, or various other faults occur, then the boiler will failsafe by locking out, which is indicated by the red LED on the control panel. The fault can be identified by the code in the LED display. The electronic failsafe is also backed by a mechanical means of protection, should the electronics fail to detect a fault.

These mechanical forms of protection will protect and ensure the safe shut down of the boiler. The software protection built into the P.C.B. will run a system check on components which are essential to the safe operation of the boiler. This occurs before any ignition sequence takes place, if any component is found to be faulty or out of a predetermined range, the boiler will lockout with the fault code displayed on the LED screen.

FAULT CODES:

When the Boiler detects a fault, you could identify the fault looking at the display of the boiler. Each Fault will begin with the F letter and continuous with a number. For example: This is fault 2 (F2), Air pressure switch/ Fan failure. **NOTE:** The red LED stays on constantly.



9.- FAULT CODE TABLE

CODE	FAULT
F1	Lack of gas or ignition problems Flame supervision failure Burner on but flame indicator off Minimum burner pressure too low
F2	Air pressure switch failure / Fan failure
F3	Water Pressure below 0.7 bar
F4	Hi limit thermostat failure
F5	Printed circuit board failure
F6	Flame supervision failure, indicator light on, burner off
F8	Control panel failure
F10	Gas valve control circuit failure
F11	Domestic hot water thermistor failure
F13	Central heating thermistor failure

10.- WARRANTY CONDITIONS

The boiler is guaranteed against manufacturing defects for a period of one year from the date of first commissioning. However the guarantee is subject to proof of commissioning in accordance with the gas safety (Installation and Use) act. 1998.

The guarantee does NOT cover the following issues:

- 1.- Frost damage to any part of the boiler containing water during freezing conditions.
- 2.- The removal of sludge or hard water scale due to lack of antifreeze/inhibitor or water quality.
- 3.- Damage to electronics caused by a defective electrical supply.
- 4.- Damage or failure caused by insect contamination or blocked water filters.
- 5.- Loss off pressure within the heating system not caused directly by the boiler.
- 6.- Incorrect operation of the boiler caused by defective outlets such as thermostatic mixers or mono block mixer taps.
- 7.- Damage caused by unauthorised modifications to the boiler from original specifications.

For more detailed servicing information, workshop manuals, technical advice, spare parts, product training, please phone us on 01482 325456 or contact us at the address below.

MORCO PRODUCTS LTD

Morco House, Riverview Road, Beverley, East Yorkshire HU17 0LD

TEL:01482 325456 FAX:01482 212869 EMAIL: sales@morcoproducts.co.uk

WEBSITE: www.morcoproducts.co.uk