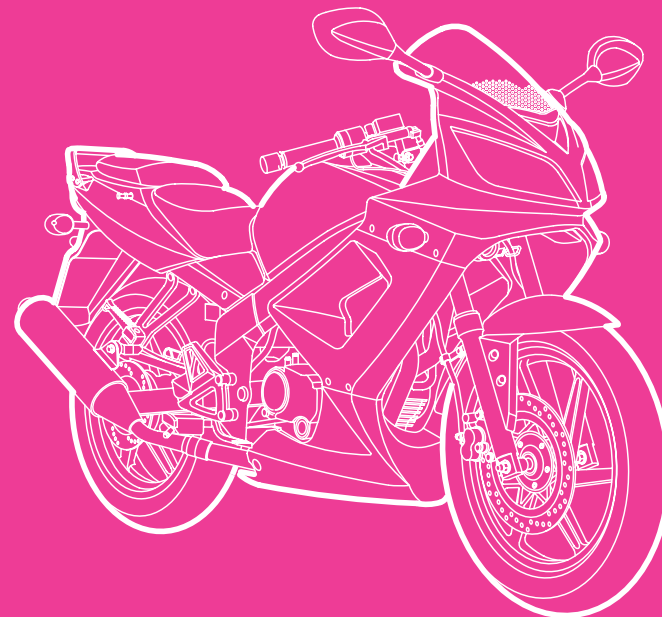




DRIVER'S MANUAL

KWANG YANG MOTOR CO.,LTD.

QUANNON 125





KYMCO

Dear KYMCO bike Users:

Thank you for purchasing this KYMCO bike and welcome to the family of KYMCO bike riders. To enjoy safer and more pleasant riding, become thoroughly familiar with this owner's manual before you ride the bike. Your safety depends not only on your own alertness and familiarity with the bike but also the bike mechanical condition. A pre-ride inspection before every outing and regular maintenance are essential. The quality of each KYMCO bike is guaranteed.

- Note:**
1. The information and specifications stated in this manual are for reference only and subject to change without notice.
 2. When starting the engine, the battery must be installed to facilitate starting and increase the engine performance.

TABLE OF CONTENTS

1.PRECAUTIONS FOR A SAFE RIDING	3
2.ASSEMBLY PARTS	5
3.OPERATION INSTRUCTIONS	7
IGNITION SWITCH/STEERING HANDLEBAR LOCK	7
ELECTRIC STARTER BUTTON. HEADLIGHT SWITCH	8
ENGINE STOP SWITCH. PASSING LIGHT CONTROL SWITCH	9
HEADLIGHT DIMMER SWITCH. TURN SIGNAL SWITCH	10
HORN BUTTON	11
HELMET BUCKLE. TOOL BOX	12
INSTRUMENTS AND INDICATORS	13
MULTI-FUNCTION DISPLAY	15
4.PRE-RIDE INSPECTION	20
ADVANCE INSPECTION. ENGINE OIL LEVEL INSPECTION/REFILING	20
BRAKE INSPECTION. TIRE INSPECTION	21
FUEL LEVEL INSPECTION/REFILLING	23
STEERING HANDLEBAR. BRAKE SHOE INSPECTION	17



TABLE OF CONTENTS

HORN/LIGHTS INSPECTION	25
DRIVE CHAIN INSPECTION/ADJUSTMENT	
CLUTCH LEVER FREE PLAY INSPECTION	26
FRONT/REAR SHOCK ABSORBER INSPECTION	
BRAKE PERFORMANCE INSPECTION. REARVIEW MIRROR ANGLE CHECK	
LICENSE PLATE CHECK.	
PREVIOUS ABNORMAL PARTS INSPECTION	
LUBRICATION POINT CHECK	28
5.ENGINE STARTING METHODS	29
WHEN THE ENGINE IS COLD	29
WHEN THE ENGINE IS WARM	30
6.NORMAL RIDING METHOD	31
STARTING THE ENGINE. REBOUND THE SIDE STAND	31
CORRECT SITTING POSITION. START MOVING	32
7.PRECAUTIONS FOR RIDING	33



TABLE OF CONTENTS

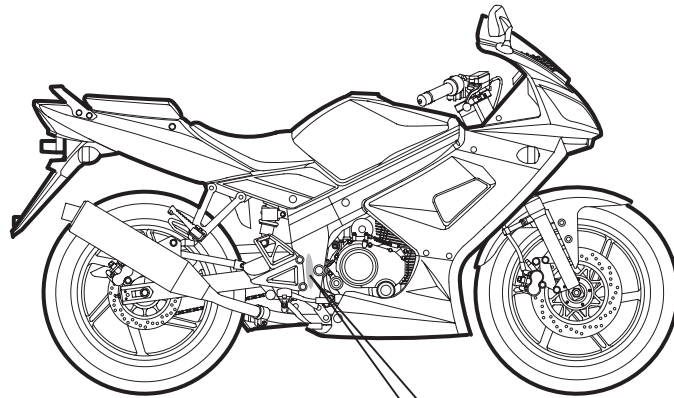
CORRECT RIDING. SPEED CONTROL	33
PROPER RIDING WILL PROLONG THE SERVICE LIFE OF ENGINE	
APPLY BOTH FRONT AND REAR BRAKES WHEN BRAKING	34
DO NOT MAKE SUDDEN STOP OR SHARP TURN	
BE MORE CAREFUL WHILE RIDING IN RAINY DAYS	35
8.HOW TO STOP RIDING	36
WHILE GO NEAR THE PARKING PLACE	
WHILE THE MOTORCYCLE IS COMPLETELY STOPPED	31
PARKING. HANDLEBAR	32
9.EASY MAINTENANCE	38
AIR CLEANER INSPECTION AND AIR CLEANER CLEANING&REPLACEMENT	38
APPEARANCE CLEANING	40
BATTERY	41
FUSE REPLACEMENT	42
ENGINE OIL CHANGE	44
SPARK PLUG INSPECTION	45



TABLE OF CONTENTS

BRAKE FLUID LEVEL INSPECTION/REFILLING	
RUBBER COVER INSPECTION FOR WIRE AND CABLE	46
10.IMPORTANT NOTICES	47
WHEN THE ENGINE FAILS TO START OR STOPS DURING RIDING	
IN CASE OF BREAKDOWN	47
POLLUTION-FREE PERIODIC MAINTENANCE SCHEDULE	48
SPECIFICATIONS	49
CLEAN AIR SYSTEM	50





FRAME NUMBER

The read frame number, please remove the cover on inner cover with a flat head screwdriver.

Frame number is the same written in document and warranty card.

Please write down your frame number in place below.

FRAME NUMBER:



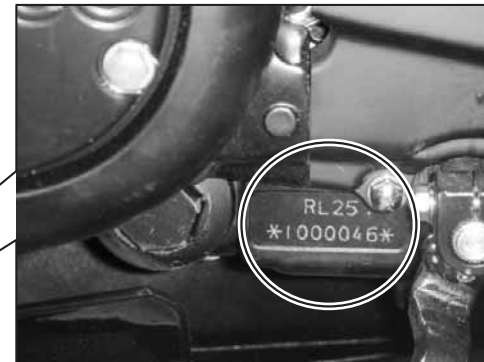
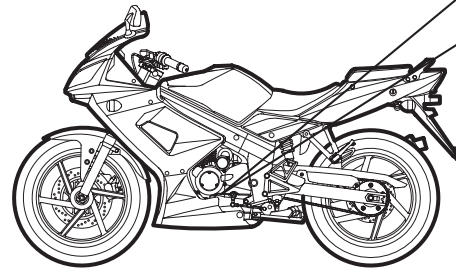
Location of Frame Serial Number



ENGINE NUMBER

The engine number is stamped on left engine case.
Please write down your engine number in place
below.

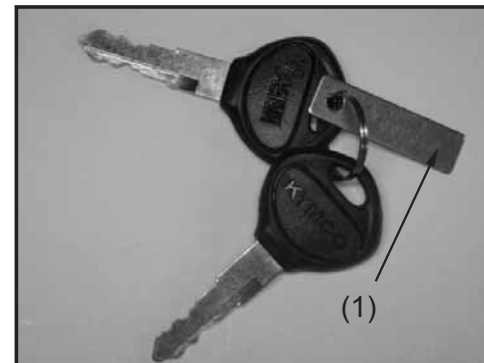
ENGINE NUMBER:



KEY NUMBER

The key number (1) will be needed when you order
replacement part. Record the number for your
reference.

KEY NUMBER:



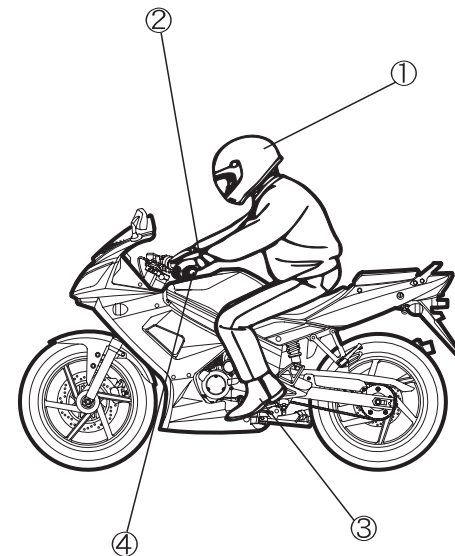
1. PRECAUTIONS FOR A SAFE RIDING

(1) CLOTHES

- To relax and wear comfortable clothes are the main points for a safe riding.
 - To observe traffic laws, keep a cool mind, relax and be careful will provide you a safe riding.
- ① Wear helmet and fasten it tightly.
 - ② Have the clothes well-arranged. Fasten shirt cuffs and keep them from hooking the brake lever.
 - ③ Wear low-heeled shoes for a safe riding.
 - ④ When riding, use both hands to grasp the handlebar. It is very dangerous to hold the handlebar with one hand.

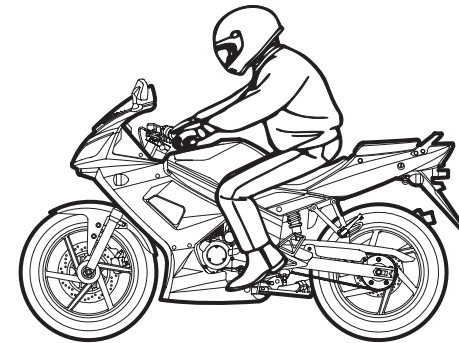
▲ CAUTION:

- A motorcycle rider should not wear loose or too long clothes to avoid danger.
- During riding or 10 minutes after the motorcycle is stopped, do not touch the exhaust muffler to avoid scalding.
- When parking the motorcycle, keep it away from dry lawn or inflammables to avoid danger.



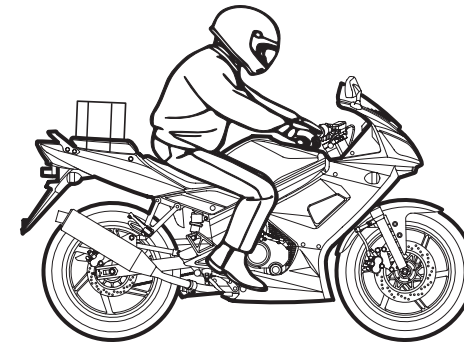
(2) RIDING METHOD

- The safety of two-wheel vehicles is influenced by sitting position. The rider should sit on the central part of the seat cushion. If the rider sits on the rear part of the seat, the load of front wheel will decrease. As a result, the handlebar will swing and cause danger to the rider.
- When making a turn, it will be easier for the rider to steer the motorcycle by leaning the body inward slightly. The motorcycle will lose its balance if the rider fails to keep his body leaning inward.
- When riding on a damaged or macadam road. Slow down the speed and hold the handlebar tightly.

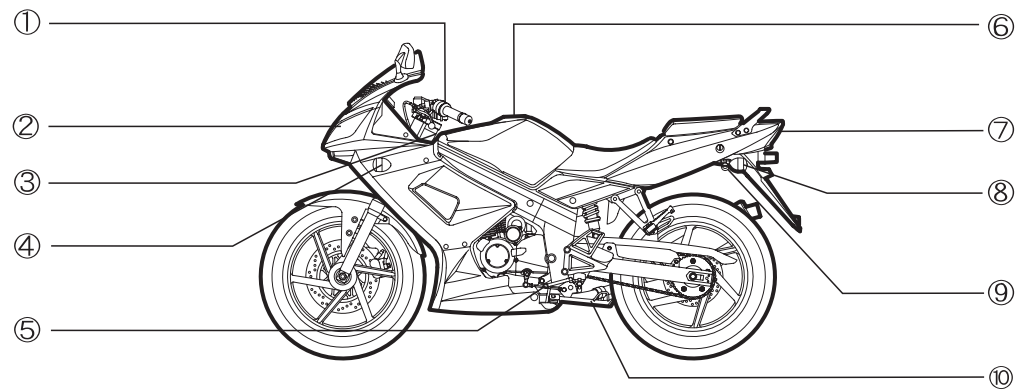


(3) CARRYING GOODS

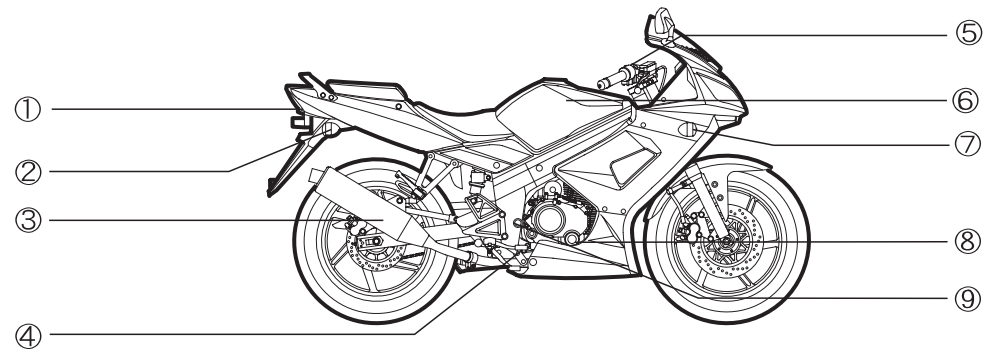
- Keep a good sitting posture to operate the motorcycle Properly.
- The feel of the handlebar will be different when carrying goods on the motorcycle.
- Overloading may cause the handlebar to swing. Avoid riding with overload.



2. ASSEMBLY PARTS



- | | | |
|-------------------------|------------------------------|-----------------------------|
| ① Passing Signal Switch | ③ Ignition Switch | ⑦ Taillight/Stoplight |
| Turn Signal Switch | ④ L. Front Turn Signal Light | ⑧ L. Rear Turn Signal Light |
| Headlight Dimmer Switch | ⑤ Change Gear Shift Pedal | ⑨ Helmet Buckle |
| ② Headlight | ⑥ Fuel Tank Cap | ⑩ Side Stand |



- | | | |
|-----------------------------|--|-----------------------|
| ① Taillight/Stoplight | ⑤ Headlight Switch & Electric Starter Button | ⑧ Oil Sighthole |
| ② R. Rear Turn Signal Light | ⑥ Fuel Tank | ⑨ Frame Serial Number |
| ③ Exhaust Muffler | ⑦ R. Front Turn Signal Light | |
| ④ Rear Brake Pedal | | |

3. OPERATION INSTRUCTIONS

(1) IGNITION SWITCH/STEERING HANDLEBAR LOCK

- ① **NO** :At this position, power is connected to start the engine. The key cannot be taken out.
- ② **OFF** :At this position, power is cut off and the engine stops. The key can be taken out.
- ③ **LOCK** :At this position, the steering handlebar is locked. The key can be taken out.

《 Locking Method 》

- Turn the steering handlebar left to the full and then push and turn the ignition switch key left to the "LOCK" position. The handlebar can be locked.

《 Unlocking Method 》

- Turn the ignition switch key right to the "OFF" and the "ON" is released automatically.

▲ CAUTION:

- After locking, turn the handlebar gently to make sure that it is locked.
- Do not turn the ignition switch to the "OFF" position during riding, otherwise the handlebar will be out of control and cause accidents.
- Don't park your motorcycle at a place to hinder the traffic.



(2) ELECTRIC STARTER BUTTON "🔌"

- To start the engine, first turn on the ignition switch "ON" and then push the electric starter button. At this time, be sure to fully apply the front or rear brake lever in order to connect the power.

⚠ CAUTION:



- **During engine running, do not push the electric starter button to avoid engine damage.**
- **Turn the headlight switch off and turn signal switch off before using the electric starter button.**
- **Release the electric starter button immediately after the engine is started.**

(3) HEADLIGHT SWITCH

- At this position, the position light, headlight, instrument lights and taillight turn off together.
- ☰ At this position, the position light, instrument lights and taillight light turn on.
- ☀ At this position, the position light, headlight, instrument lights and taillight light all turn on.
- **The headlight switch is not included in always lighting headlight region of bike.**

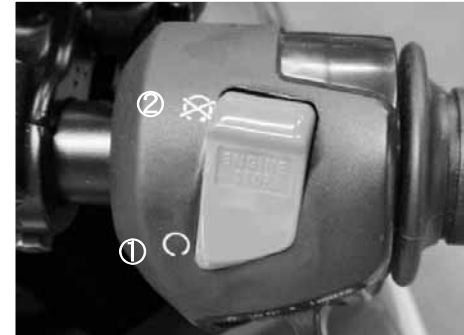


(3) ENGINE STOP SWITCH

- ①  The engine stops at this position and it won't start even though the main switch is "ON".
- ②  The engine can be started at this position but the main switch shall be turned "ON".

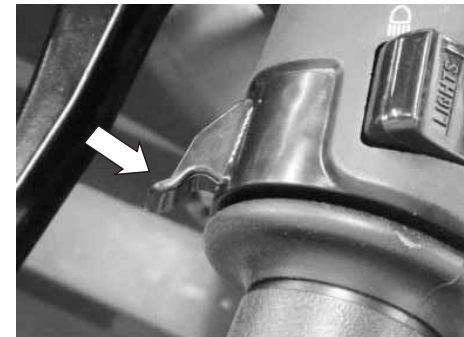
▲ CAUTION:

- The engine stop switch is only used for temporary engine stop.
- When the motorcycle is parked and the engine stop switch is not used, be sure to turn "OFF" the main switch to avoid battery overcharge.





(4) PASSING LIGHT CONTROL SWITCH

PASSING When passing, if there are cars coming from the opposite direction, press and release the **PASSING** switch and the headlight will wink to warn the coming cars.

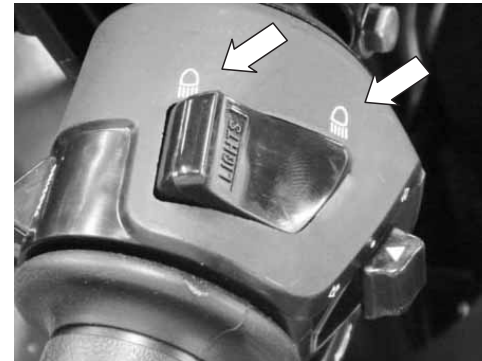


(5) HEADLIGHT DIMMER SWITCH



- ①  Switch to this position for using high beam.
- ②  When riding in downtown area or there is a car coming from the opposite direction, use low beam to avoid affecting the visibility of coming cars.

▲ CAUTION:

- This indicator light comes on when the long distance light is turned on.

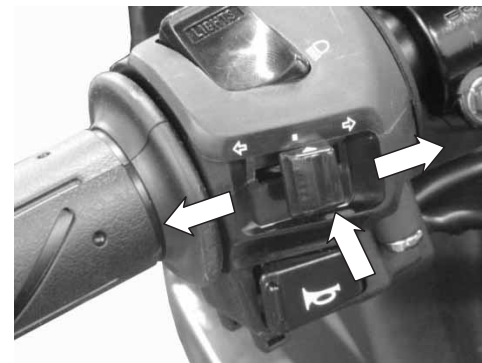


(6) TURN SIGNAL SWITCH

When the ignition switch key is turned the "ON" position, Move the turn signal switch to  For turning to the right.  For turning to the left. Push the turn signal switch button to release it.

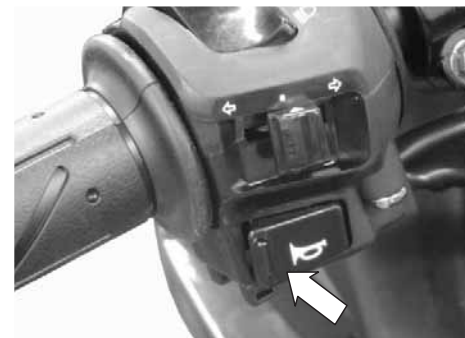
▲ CAUTION:

- The turn signal light will not release automatically. Be sure to reset it after use; otherwise it may affect the traffic safety.



(7) HORN BUTTON “”

- When the main switch is "ON", press the horn button and the horn will sound.
- The horn switch do not work when the ignition switch is "OFF".



(8) HELMET BUCKLE

1. Open the lock with the ignition switch key.
2. Put the helmet retaining ring into the helmet buckle.
3. Put the rod into the lock and it will lock automatically.

Take out the helmet in the lock of the above steps.

- ① Lock of push rod ② Turn up to open

▲ CAUTION:

- When riding, wear the helmet and do not retain it on the bike; the helmet may interfere with safe operation and result in loss of control.



(9) TOOL BOX

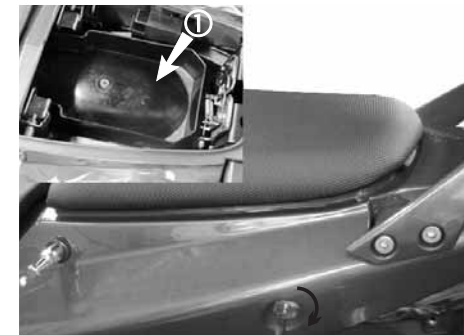
- The tools in box are attached to this motorbike and you can put what you need in the rest space, too.

1. Open the rear seat with the ignition switch key.
2. Turn down to open the rear seat.

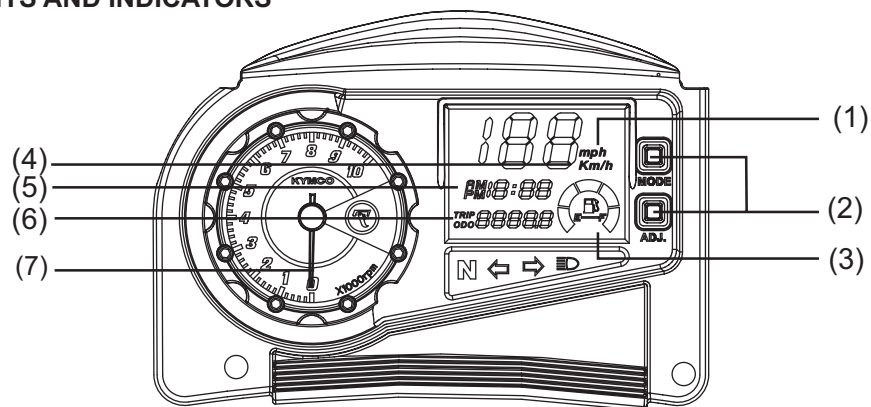
- ① Max. Loading capacity of the tool box is 1.5kg.

▲ CAUTION:

- Overloading may cause the box to crack up.



(10) INSTRUMENTS AND INDICATORS

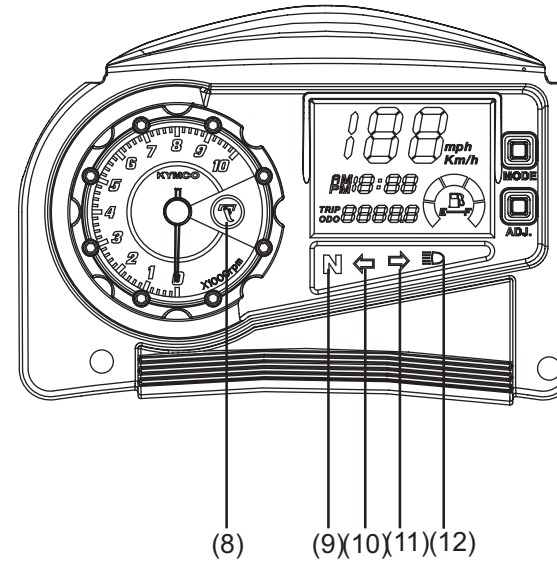


- (1) SPEEDOMETER (mph): The riding speed is indicated by mile/hour.
- (2) ADJUST KEY: They are used to correct time and set the odometer.
- (3) FUEL GAUGE: The fuel gauge is to show the volume of gasoline in the fuel tank. If the fuel gauge is at the "E" area, the fuel is insufficient. Refill 92# or 95# nonleaded gasoline as early as possible.
- (4) SPEEDOMETER (km/h): The riding speed is indicated by km/hour.
- (5) CLOCK METER: It displays time which can be adjusted manually.
- (6) ODOMETER: The total riding mileage is indicated by kilometer.
- (7) TACHOMETER: Shows engine revolutions per minute (rpm).

Initial display

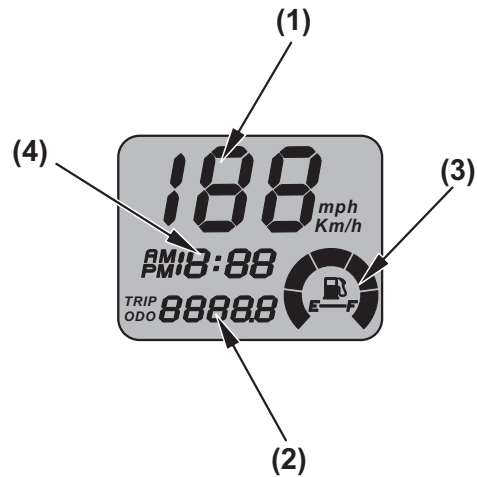
When the ignition switch is turned ON, the indicator of tachometer will run from zero to maxi limit then zero so that you can make sure the tachometer properly.

- (8) SIDE STAND DOWN INDICATOR: Lights when side stand is down.
- (9) NEUTRAL POSITION INDICATOR LIGHT: When the engine is at neutral position, this indicator light will come on when the main switch is "ON".
- (10) TURN SIGNAL INDICATOR LIGHT (LEFT): When the turn signal switch is operated, this indicator light will wink.
- (11) TURN SIGNAL INDICATOR LIGHT (RIGHT): When the turn signal switch is operated, this indicator light will wink.
- (12) HIGH BEAM INDICATOR LIGHT: This indicator light comes on when the short distance light is turned on.



Multi-fuction display

The display includes the following functions:



- (1) Speedometer
- (2) Odometer/Trip meter/Oil service meter
- (3) Fuel gauge
- (4) Digital clock

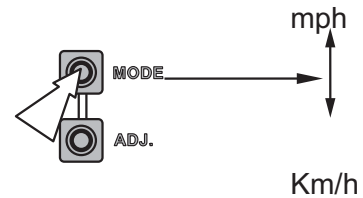
Initial display

When the ignition switch is turned ON, the multi-function display will temporarily show all the modes so that you can make sure the liquid crystal display functioning properly.

Speedometer

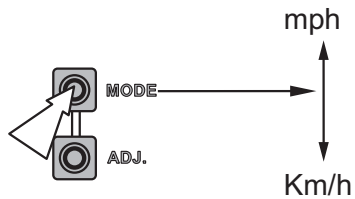
Shows riding speed.

Press and hold the Mode button for more than 2 seconds to select mph or Km/h.



Odometer/Tripmeter/Oil service meter

Press and hold the Mode button for more than 2 seconds to select mph or Km/h for speedometer and mile or km for odometer/tripmeter/oil service meter.

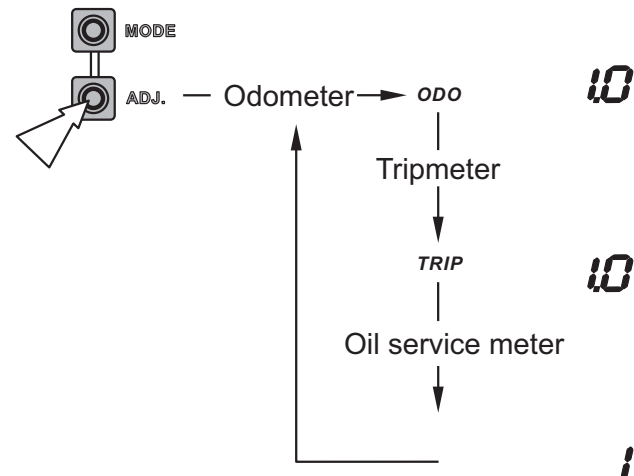


Odometer
Shows accumulated mileage.

Tripmeter
Shows mileage per trip.

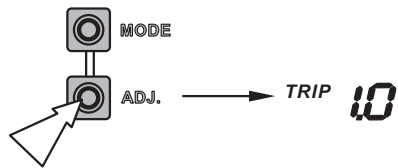
Oil service meter
Shows mileage for oil service frequency.

To select Odometer/Tripmeter/Oil service meter:
Press and hold Adjust button for more than 2 seconds to select Odometer/Tripmeter/Oil service meter.

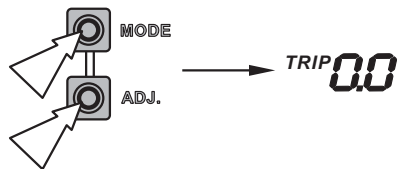


To reset the tripmeter:

1. Press and hold Adjust button for more than 2 seconds to select TRIP.

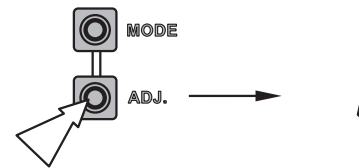


2. Press and hold both the Mode button and Adjust button in the same time until the tripmeter is reset.

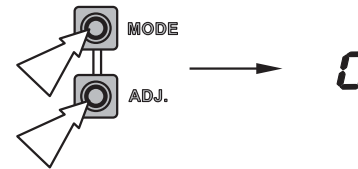


To reset the oil service meter:

1. Press and hold Adjust button for more than 2 seconds to select oil service meter.

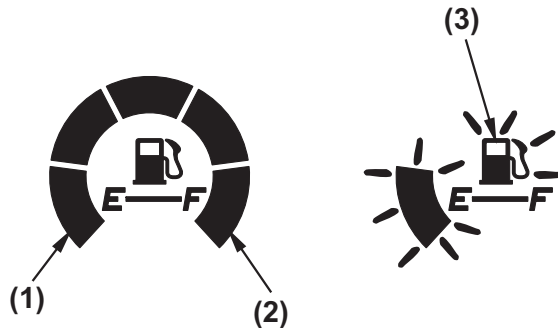


2. Press and hold both the Mode button and Adjust button in the same time until the oil service meter is reset.



Fuel gauge

The fuel gauge shows the approximate fuel supply available in a graduated display. The normal operating fuel range is with the section between the segment F and segment E. When the segment E or the fuel indicator flashes, fuel will be low and you should refill the tank as soon as possible.



(1) Segment E (2) Segment F
(3) Fuel indicator

Digital clock

Show the time (hours and minutes) while the ignition is ON.

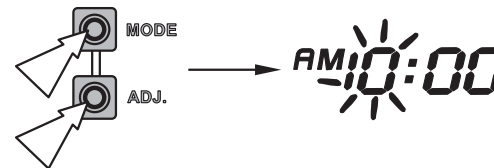
To adjust the time manually, proceed as follows:

1. Turn the ignition switch ON.
2. Press and hold Adjust button for more than 2 seconds to select ODO mode.

Note:

Digital clock can be adjust in ODO mode only, never select tripmeter or oil service meter mode when you want to adjust your digital clock.

3. Press and hold both the Mode button and Adjust button in the same time for more than 2 seconds. The clock will be set in the adjust mode with the hour display flashing.



4. To set the hour, press the Adjust button until the desired hour.



6. To set the minute, press the Adjust button until the desired minute.



5. Press the Mode button. The minute display will start flashing.



7. To end the adjustment, press both the Mode and Adjust buttons in the same time. The display will stop flashing automatically and the adjustment will be cancelled if the button is not pressed for about 10 seconds.



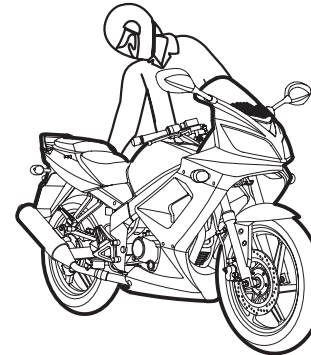
4. PRE-RIDE INSPECTION

(1) ADVANCE INSPECTION

Get into a good habit of inspection before riding. For the sake of safety and to prevent vehicle damage and traffic accidents, the pre-ride inspection is absolutely required.

▲ CAUTION:

- Be sure to perform inspection and maintenance for your new scooter after it is ridden for 300km.

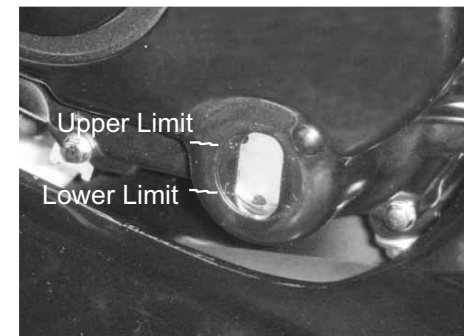


(2) ENGINE OIL LEVEL INSPECTION/REFILLING

- Place the motorcycle onto the lifter.
- Check through the sighthole if the oil level is between the upper limit and lower limit.
- If the oil level is below the lower limit, add the engine oil to the upper limit.

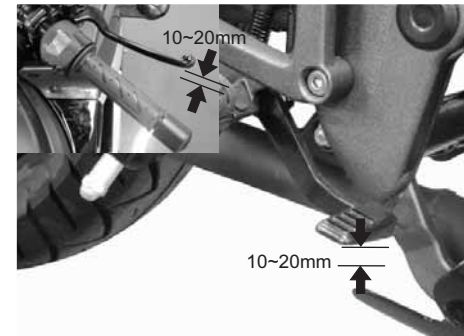
▲ CAUTION:

- The temperature of engine and exhaust muffler is very high. When checking the oil level, be careful to avoid scalding.



(3) BRAKE INSPECTION

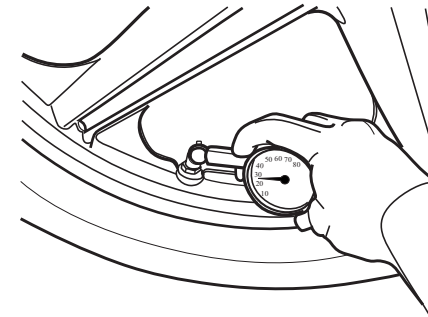
- Ride the motorcycle at low speed on a dry road and respectively apply the front and rear brakes to check the brake performance.
- The brake lever should have proper free play.
- "Free play" means the distance from the position of loose brake to the position of fully applied brake.
- Measure the free play at the brake lever end and check if it is within the specified value of (10~20 mm front brake) (10~20 mm rear brake).



(4) TIRE INSPECTION

1. Tire Pressure Check

- Check if the tire pressure is normal when the tire is in contact with level ground.
- If there is any abnormal condition, check the tire pressure with a tire pressure gauge.
- Measure the tire pressure under room temperature.



2. CRACKS & DAMAGE

- Check the tire-contact area for crack or damage.

3. ABNORMAL WEAR

- Check the tire-contact area for abnormal wear.

4. FOREIGN OBJECTS OF METAL PIECE & GRAVEL

- Check the tires and tire-contact area for imbedded objects of metal piece and gravel.

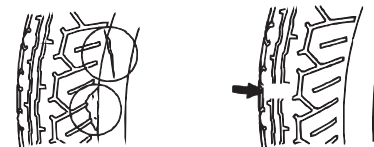
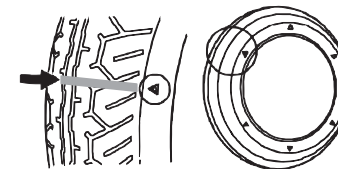
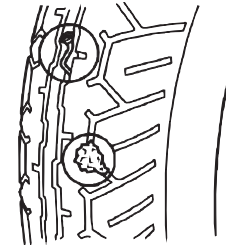
5. DEPTH OF TIRE GROOVE

- If the tire is worn to the wear limit indication mark, replace it with a new one.

NORMAL PRESSURE(1 Rider / 2 Riders)	
Front Wheel	1.6/1.75 kg/cm ²
Rear Wheel	1.9/2.1 kg/cm ²

▲ CAUTION:

- Abnormal tire pressure, crack, damage and abnormal wear will cause unsteady handlebar and result in tire break.
- If the tire has cracks or is worn to the wear limit indication mark, replace it with a new one.



(5) FUEL LEVEL INSPECTION/REFILLING

- Check if the fuel is sufficient.
- If the fuel reserve indicator twinkle, refill nonleaded gasoline as soon as possible.

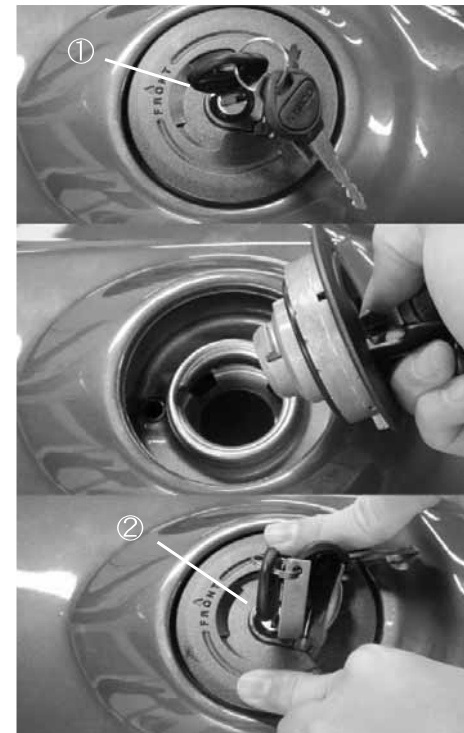
《Refilling Method》

1. Open the fuel tank cap protective cover. Insert the ignition switch key into the fuel tank cap lock and turn the key counterclockwise to unlock and open the cap.
2. Use only nonleaded gasoline to fill the fuel tank.
3. When closing the cap, install the fuel tank cap by aligning the tab on the cap with the groove on the fuel filler.
4. When closing, simply press down the fuel tank cap to close it.

① Unlock ② Lock

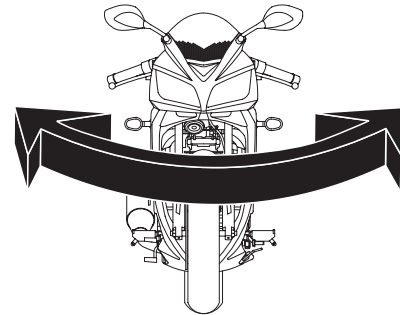
▲ CAUTION:

- Be sure to stop the engine before refilling.
- The gasoline level shall not exceed the reference plate; otherwise the fuel will penetrate out.
- When refilling, do not add other additives to avoid engine breakdown.



(6) STEERING HANDLEBAR

- Visually inspect the steering handlebar for damage.
- Apply the front brake and move the handlebar upward and downward to check for abnormal noise.
- Move the steering handlebar upward, downward, rightward and leftward to check for any loose parts.
- Check if the handlebar rotates freely.
- If any abnormal condition is found, go to your motorcycle dealer for inspection.

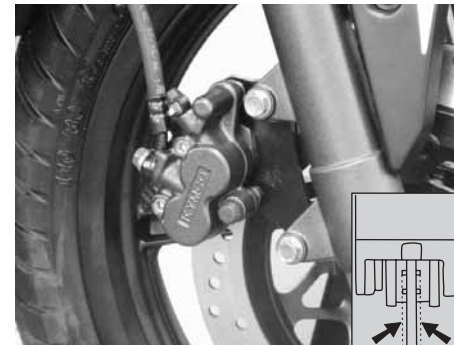


(7) BRAKE SHOE INSPECTION

- Check the front brake free play from time to time.
- If had abnormal free play is found, please check the brake shoe and brake fluid.

▲ CAUTION:

- Brake shoe will be worn more quickly if the brake lever is always applied lightly during riding.

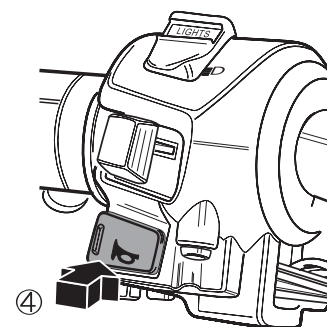
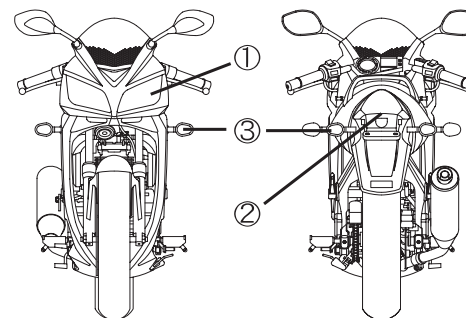


(8) HORN/LIGHTS INSPECTION

- Turn the ignition switch "ON" and press the horn button to check if it sounds.
 - Headlight/Taillight Inspection:
Start the engine and turn on the headlight switch to check if the headlight and taillight are good and check the light shells for dirt and damage.
 - Stoplight Inspection:
Apply the front brake lever and rear brake pedal respectively to check if the stoplight is good. And also check the stoplight shell for dirt and damage.
 - Turn Signal Light Inspection:
Operate the turn signal switch to make sure whether the right/left front and rear turn signal lights can wink and buzz. Also check the light shells for dirt and damage.
- ① Headlight ② Taillight/ Stoplight ③ Turn signal light
④ Horn button

▲ CAUTION:

- Replace any dirty or damaged lights with new ones to avoid danger during riding.

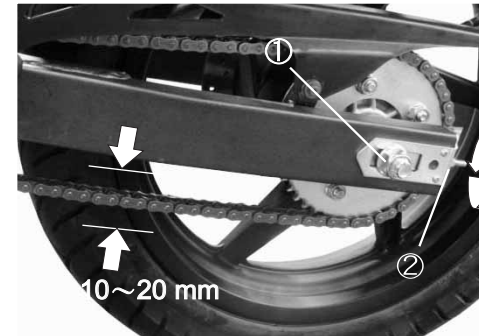


(9) DRIVE CHAIN INSPECTION/ ADJUSTMENT

- The chain should have a slack of 10~20 mm in its center between the two sprockets.
- Adjustment: Loosen the rear axle nut and turn the adjusting nut until the index mark is aligned with the punch mark on the adjuster. Then tighten the rear axle nut.

① Rear Axle Nut ② Adjusting Nut

- The rear wheel will move backward during adjustment, so the rear brake free play shall also be adjusted.



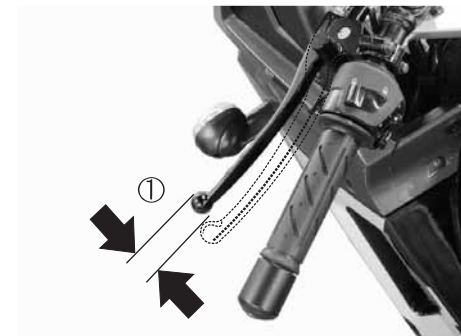
(10) CLUTCH LEVER FREE PLAY INSPECTION

- The clutch lever free play shall be 5~10mm. Often check the clutch lever free play and make necessary adjustment by turning the adjusting nut.

① Free Play 5~10mm

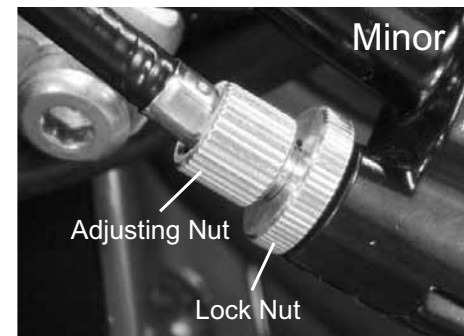
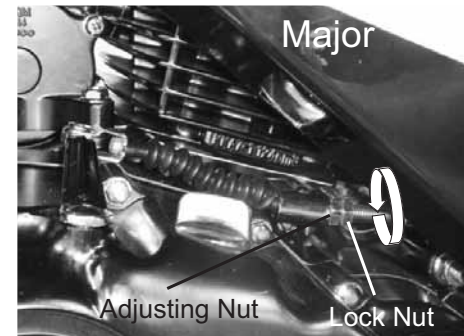
CAUTION:

- If the clutch lever free play is too big or small, the clutch disk will be damaged easily.



Clutch Adjusting Method:

- Adjusting the clutch lever free play with the minor and major adjustment nuts.
- Adjustment by loosening the lock nut and turning the adjusting nut. After adjustment, tighten the lock nut and check if the clutch lever free play is within the specific value.
- Check if the gearshift applied smoothly while running the engine.
- The engine don't allow to be stopped when fully applying the clutch lever and depress the change gear shift pedal into the 1st speed.



(11) FRONT/REAR SHOCK ABSORBER INSPECTION

- Check the condition of the front/rear shock absorbers by pressing down on the handlebar and seat several times.

(12) BRAKE PERFORMANCE INSPECTION

- Fully apply the front brake lever and rear brake pedal and move the motorcycle forward to see if the braking effect is good.

(13) REARVIEW MIRROR ANGLE CHECK

- Sit on the motorcycle uprightly and make a viewing test of the rearview mirror angle.

(14) LICENSE PLATE CHECK

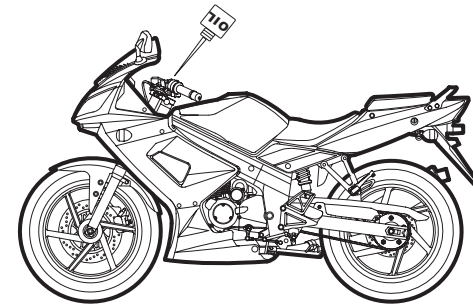
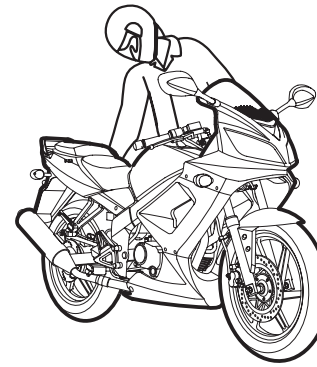
- Check the license plate for dirt and damage, then tighten it.

(15) PREVIOUS ABNORMAL PARTS INSPECTION

- Make sure that the previous abnormal parts are repaired.

(16) LUBRICATION POINT CHECK

- Visually check if all motorcycle lubrication points are lubricated properly.

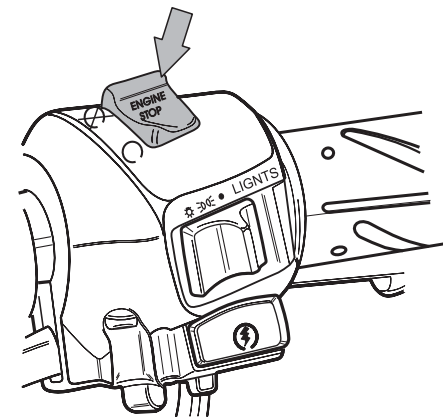


5. ENGINE STARTING METHODS

- **WHEN THE ENGINE IS COLD:**

1. Unlock the steering handlebar.
2. Check if the engine stop switch is "ON".
3. Turn the ignition switch "ON"

- Check the gasoline volume and engine oil level before starting the engine.



4. The engine must be started in the neutral position. When the ignition switch is ON, the neutral position indicator comes on.
5. Push the electric starter button down when the throttle closed fully.
6. When starting the engine, wait the idling speed runs smoothly.
7. Check if the side stand is rebounded fully.

▲ CAUTION:

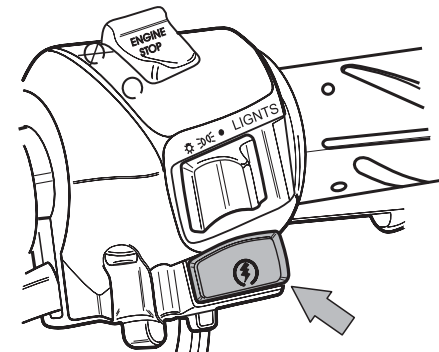
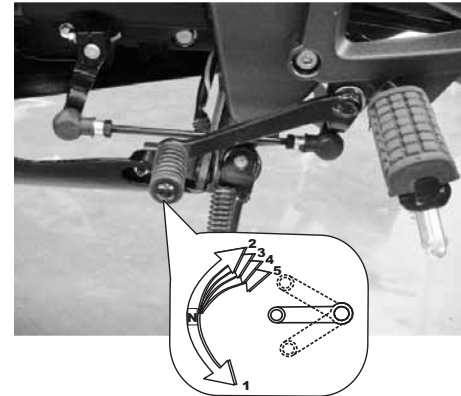
- Shift into a proper speed for riding.
- When changing speed, the throttle grip must be turned to the closed position. Then, fully apply the clutch lever and gently depress the gear shift pedal.

• WHEN THE ENGINE IS WARM:

1. Follow steps 1 through 4.
2. Rotate the throttle grip for 1/8~1/4 turn.
3. Push the electric button.

▲ CAUTION:

- Don't push the electric starter button while the engine is running; otherwise the engine will be damaged.



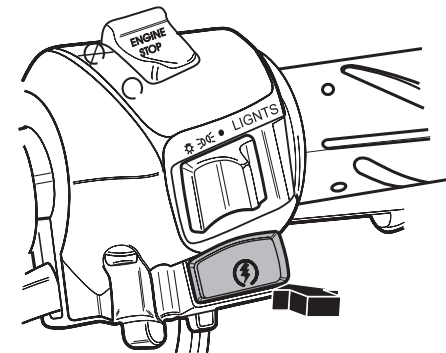
6. NORMAL RIDING METHOD

(1) STARTING THE ENGINE

- Start the engine by referring to the starting methods specified in Section 5.

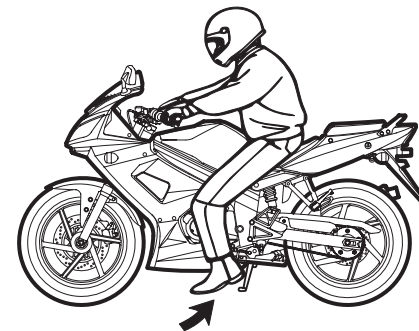
▲ CAUTION:

- Keep your finger away from the electric starter button immediately after the engine is started to avoid engine damage.
- The engine must be kept in the neutral position before riding.



(2) REBOUND THE SIDE STAND

- Make sure the throttle is closed before moving the scooter off the side stand.
- Mount the scooter from the left side keeping at least one foot on the ground to steady the scooter.
- Rebound the side stand and push the motorcycle forward.

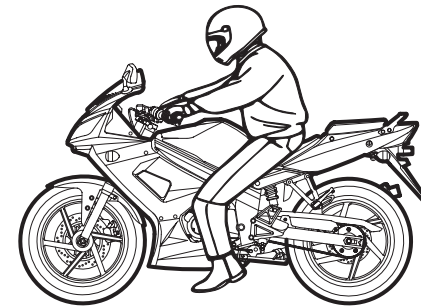


(3) CORRECT SITTING POSITION

- Ride astride on the motorcycle from the left side and sit upright. Touch the ground with left foot to avoid slipping.

▲ CAUTION:

- **The rider must wear helmet and fasten the safety belt securely.**
- **Do not wear any loose clothes which will affect riding safety.**

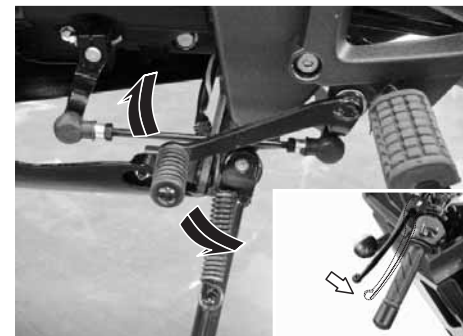


(4) START MOVING

- Fully apply the clutch lever and depress the change gear shift pedal into the 1st speed with the left foot.
- Slowly rotate the throttle grip and release the clutch lever at the same time. Then the motorcycle will move smoothly.

▲ CAUTION:

- **When changing speed, the throttle grip must be turned to the closed position. Then, fully apply the clutch lever and gently depress the change gear shift pedal.**



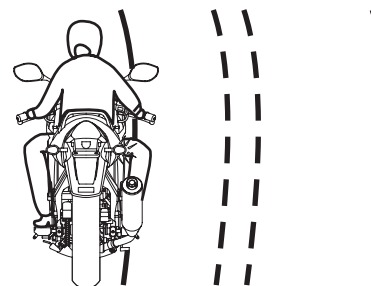
7. PRECAUTIONS FOR RIDING

(1) CORRECT RIDING

- Before moving, turn on the turn signal light and make sure whether the rear side is safe.
- Do not rush into the car lanes and always keep the motorcycle to the correct lanes to avoid danger.

▲ CAUTION:

- **Moderate riding will prolong the engine service life. The clutch linings are worn more quickly when often ridden at low speed.**



(2) SPEED CONTROL

- The speed is controlled by the throttle grip.
- ① ROTATE The speed will become faster. Don't be hasty to accelerate.
When riding on an ascending road, rotate the throttle grip gradually to increase the horse power.
- ② RESTORE The speed will become slower. Restore the throttle grip quickly.

▲ CAUTION:

- **Apply the brake while restoring the throttle grip. This will shorten the time required to slow down.**

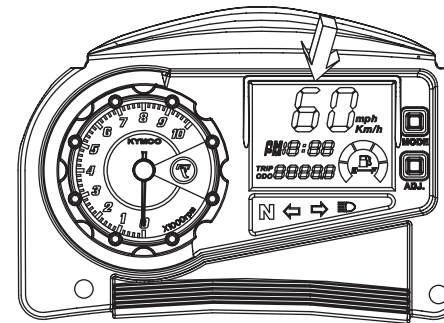


(3) PROPER RIDING WILL PROLONG THE SERVICE LIFE OF ENGINE

- For a new motorcycle, keep the speed below 60km per hour within the first 1000km of riding.
- Avoid sudden acceleration and long-time riding at high speed.
- In hot weather, the engine overheats easily at long-time idling. Stop the engine in this case.

▲ CAUTION:

- **Moderate riding will prolong the engine service life.**

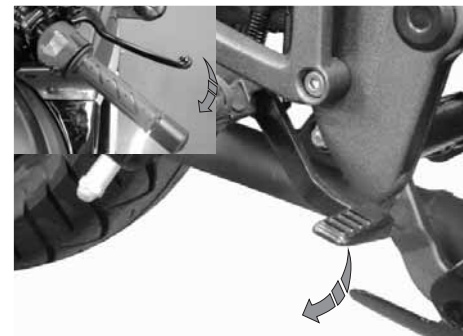


(4) APPLY BOTH FRONT AND REAR BRAKES WHEN BRAKING

- First restore the throttle grip to the closed position and then pull the brake lever and depress the brake pedal tight.
- The best way to brake the motorcycle is to pull the brake lever and depress the brake pedal "slowly" at the very beginning, then pull them tight.

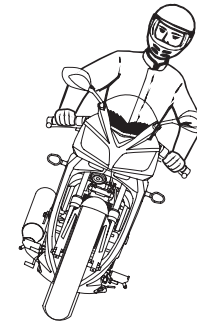
▲ CAUTION:

- **Apply single brake lever will cause the motorcycle to slip.**
- **During riding, never brake the motorcycle suddenly. It may cause the motorcycle to slip and could be very dangerous.**



(5) DO NOT MAKE SUDDEN STOP OR SHARP TURN

- Sudden stop and sharp turn are the main causes for slipping and could be very dangerous.
- In rainy days the road is slippery. Sudden stop will cause the motorcycle to slip. Be careful to avoid danger.

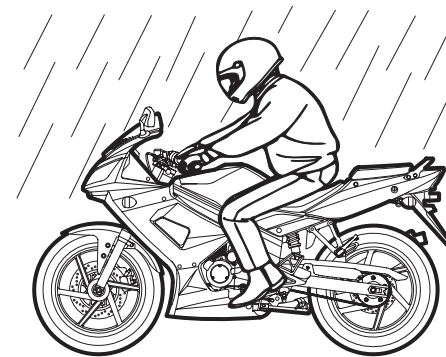


(6) BE MORE CAREFUL WHILE RIDING IN RAINY DAYS

- A longer braking distance is required in rainy days than in sunny days. Be sure to slow down and brake the motorcycle slowly as early as possible.
- When riding on a descending road, restore the throttle grip to closed position and slow down by making intermittent braking.

▲ CAUTION:

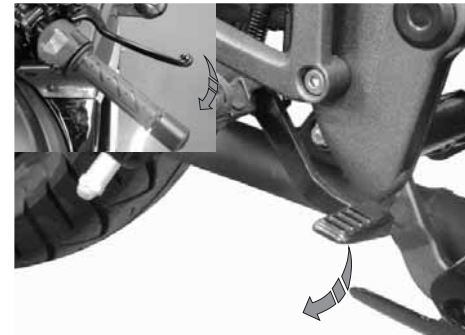
- **A longer braking distance is required in rainy days. Be sure to slow down and brake the motorcycle slowly as early as possible.**



8. HOW TO STOP RIDING

(1) WHILE GO NEAR THE PARKING PLACE

- Turn on the turn signal light in advance. Watch out vehicles coming behind or aside and stop the motorcycle to the right side slowly.
- Restore the throttle grip to closed position and apply the front and rear brakes as early as possible.
- At this moment, the stoplight will come on to warn the vehicles coming behind.

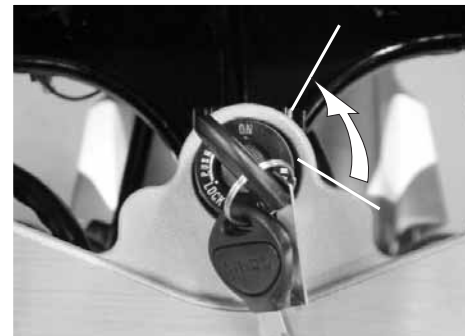


(2) WHILE THE MOTORCYCLE IS COMPLETELY STOPPED

- Return the turn signal switch to its original position.
- Turn the ignition switch "OFF" to stop the engine.

▲ CAUTION:

- **During riding, never operate the ignition switch key.**
- **If the ignition switch is turned "OFF", the electric system does not work which may result in traffic accident. Operate the ignition switch key after the motorcycle is fully stopped.**

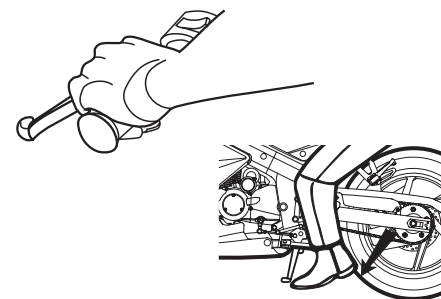


(3) PARKING

- Place the motorcycle on its side stand on level ground and do not hinder the traffic.
- Sit on the seat and grip the handlebar straight with left/right hand.
Then, step down the side stand evenly with left foot.

▲ CAUTION:

- The motorcycle may easily fall down if it is parked on an uneven ground.



(4) HANDLEBAR

- After parking, be sure to lock the steering handlebar and take out the key to prevent pilferage. (Refer to P6.)

▲ CAUTION:

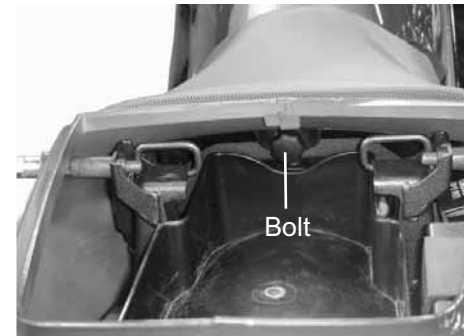
- Don't park your motorcycle at a place to hinder the traffic.
- The temperature of engine and exhaust muffler is very high. Be careful to avoid scalding.
- Park the motorcycle at a safe place and be sure to take out the key to prevent pilferage.



9. EASY MAINTENANCE

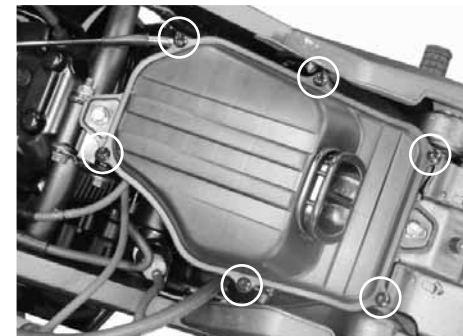
(1) AIR CLEANER INSPECTION AND AIR CLEANER CLEANING & REPLACEMENT

- 1.Remove the rear seat.(see P.12)
- 2.Remove the bolt on the front seat.
- 3.Remove the front seat.



- Take out the air cleaner cover and visually check if it is dirty or clogged.

- 1.Remove the screws attaching the air cleaner cover and remove the air cleaner cover.
- 2.Remove the air cleaner element.
- 3.The installation sequence is the reverse of removal.



- Clean the air cleaner element with compressed air.
- Replace the air cleaner element at every 4000km.
- The air cleaner requires more frequent cleaning or replacing when ridden in unusually dusty areas. When replacing, refer to P40 Periodic Inspection & Maintenance Schedule.

⚠ CAUTION:

- Never use oil or solvent to wash the wet type paper element.
- Be careful not to allow water to enter the air cleaner; otherwise, it may result in hard starting.
- If the air cleaner is not installed properly, dust may be sucked into the cylinder directly to reduce engine horsepower and affect the service life of engine.

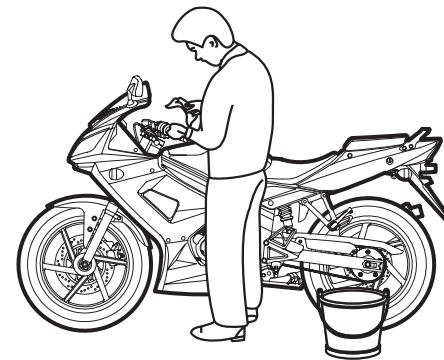


(2) APPEARANCE CLEANING

- Often wipe clean the motorcycle appearance to prevent accumulated dust affecting the function of components.

▲ CAUTION:

- If a motorcycle is not used for a long time, check the operation of each part and replace lubricants before riding. Ride the motorcycle only after its performance is confirmed.
- When waxing the motorcycle, make sure that the ingredients of the wax will not damage the paint of the motorcycle.
- Check and replace any broken or damaged tube connector to avoid breakdown due to running out of gasoline.

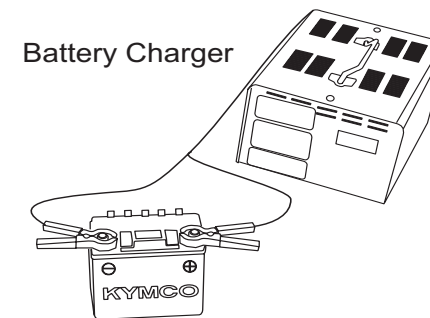
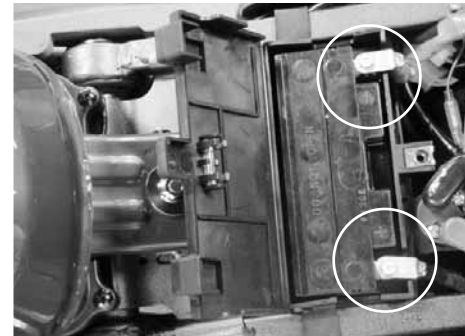


(3) BATTERY

- This type adopts the battery which needs no refilling of distilled water.
- When cleaning the battery terminals, remove the bolt attaching the front seat then remove the front seat.(see P.38)
- When battery terminals are corroded, take out the battery for cleaning.
- After cleaning, apply a thin coat of grease or Vaseline to battery terminals and then install the battery.

▲ CAUTION:

- **Never open the closed-type battery electrolyte cap.**
- **If the motorcycle will not be used for a long time, the battery will discharge electricity by itself. Remove the battery and put it in a cool place after it is fully charged to prevent electricity leakage.**
- **If the motorcycle will not be used for a long time, remove the negative (-) terminal.**
- **Do not smoke or allow flames or sparks near the battery while removing and installing it.**
- **Turn off the ignition switch before removal or installation. The negative (-) terminal shall be removed first and the positive (+) terminal shall be installed first.**
- **Tighten the loose terminal nuts securely.**



(4) FUSE REPLACEMENT

When frequent fuse failure occurs, it usually indicates a short circuit or an overload in the electrical system. See your authorized KYMCO dealer for repair.

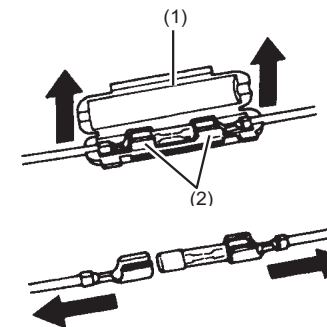
- ① Charge system fuse specification: 15A
 - ② Ignition switch fuse specification: 15A
- The spare fuse is on the battery cover.

CAUTION:

- To prevent accidental short-circuiting, turn off the ignition switch before checking or replacing a fuse.

Fuse replace:

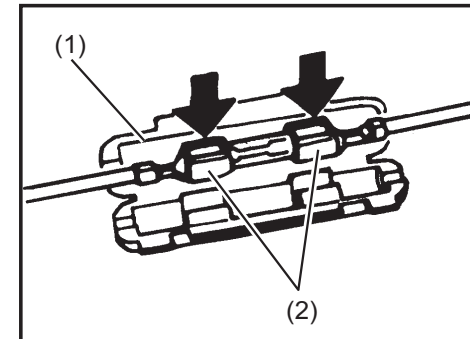
1. Remove the battery cover, by removing the screw. (See P.41)
2. Open the fuse holders (1) and lift out the fuse with the clips (2).
3. Slide the old fuse out of the clips and discard it.



- Slide the clips (2) onto the ends of the new fuse, push them back into the fuse holder (1), and close the fuse holder.
The spare fuse is on the battery compartment.

▲ CAUTION:

- Do not pry the clips open to get a fuse out; you could bend them and cause poor contact with the new fuse. A loose fuse could cause damage to the electrical system and even start a fire. After replacing the fuse, be sure return the fuse holder to its original location.



(5) ENGINE OIL CHANGE

1. Place the motorcycle onto the lifter.
2. Remove the oil dipstick.
3. Remove the drain bolt to drain the oil.
4. Refill fresh engine oil for 1.0 liter. Firmly tighten the oil dipstick.
5. Warm up the engine and check the oil level again after the engine is stopped for 20~30 seconds.
 - Specified Oil: SAE 15W-40
 - Capacity/Exchanging Capacity: 1.0L/0.9 L

▲ CAUTION:

- When changing the engine oil, also clean the oil strainer and reinstall it.
- Use the specified engine oil.
- Change engine oil at first 300km and then change it at every 2000km.
- Engine oil will deteriorate easily and require more frequent change if the motorcycle is often ridden in dusty and cold areas or ridden for short distance.
- Do not mix engine oil of different classes or viscosities. It may cause damage for engine.

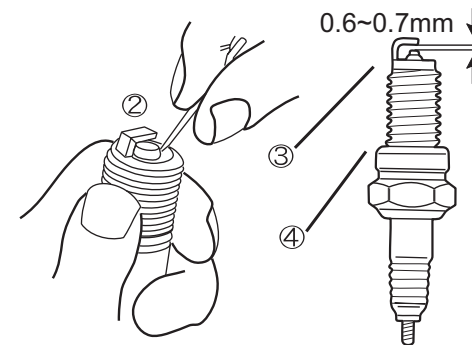


(6) SPARK PLUG INSPECTION

- Check the spark plug side electrodes for wear.
- Fouling deposits on spark plug electrodes and big gap may result in weak spark.
- Spark Plug Removal:
 - 1.Remove the spark plug with a spark plug remover.
 - 2.The installation sequence is the reverse of removal.
- Spark Plug Cleaning:
 - 1.It is better to remove spark plug deposits with a spark plug cleaner.
 - 2.If a spark plug cleaner is not available , clean with a wire brush.
- The side electrode gap is 0.6~0.7mm.
- Specified Spark Plug: NGK-CR8E
- ① Spark Plug Cap ② Decarbonizing ③ Cracks , Damage
- ④ Gap, Wear, Fouling Deposits

▲ CAUTION:

- **Clean the spark plug at every 5000km and replace it if necessary or when the center electrode is burned out.**
- **First screw in the spark plug with fingers and then tighten with a spark plug wrench.**
- **Use unspecified spark plug may damage the engine.**



(7) BRAKE FLUID LEVEL INSPECTION /REFILLING

- Remove the 2 screws from the brake fluid tank and take off the cover.
- Add recommended brake fluid DOT-4 into the tank until the fluid level reaches the upper limit and then put on the cover and tighten the screws.
- Recommended Brake Fluid: DOT-4

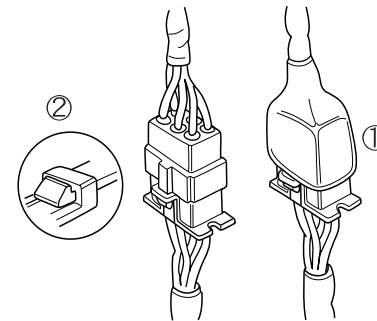
- **Do not mix brake fluid of different brands. It may cause brake failure and is very dangerous. When refilling brake fluid, use towels to cover and protect the painted and coated surfaces.**
(Replace at every 10000km or once a year.)



(8) RUBBER COVER INSPECTION FOR WIRE AND CABLE

- The cable cores are protected by the rubber cover outside the connector. Check the rubber cover frequently for proper installation.
- When washing the motorcycle, do not flush the rubber cover directly or brush it. Use a wet rag to wipe off dirt and dust.

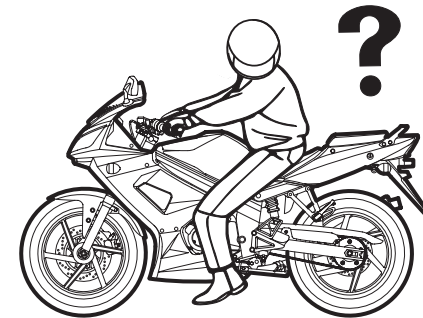
- ① Rubber Cover
- ② Check Points



10. IMPORTANT NOTICES

(1) WHEN THE ENGINE FAILS TO START OR STOPS DURING RIDING

- Is the gasoline enough?
- If the fuel indicator lights, refill nonleaded gasoline.
- Is the way to start the engine correct?
- Is there any other faulty parts?

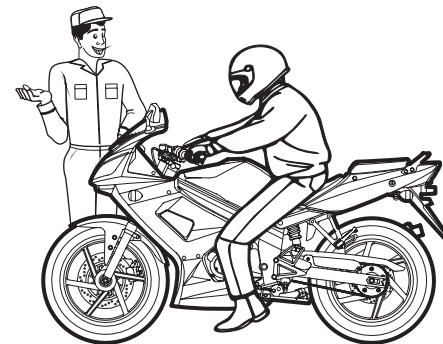


(2) IN CASE OF BREAKDOWN

- For any trouble occurred during riding, go to a KYMCO distributor or service station for inspection.

▲ CAUTION:

- For the sake of safety and to prevent vehicle damage and save your precious time, the pre-ride inspection is absolutely required. Please read this User's Manual carefully and get into a good habit of inspection before riding.





(3) POLLUTION-FREE PERIODIC MAINTENANCE SCHEDULE

- In order to have a safe riding, maintain good performance, prolong the scooter service life and reduce pollution, make sure to perform the periodic inspection and maintenance.

I: Inspect and clean, lubricate, refill, repair or replace if necessary.

A: Adjust C: Clean R: Replace T: Tighten

Item	✓		Regular Service Mileage (KM)								Daily Pre-ride Inspection
	2Stroke	4Stroke	300	1000	3000	5000	7000	9000	11000	13000	
✓ Engine Oil	X	O	R	R	R	R	R	R	R	R	I
✓ Engine Oil Strainer	X	O	C		C		C		C		
Gear Oil	O	O	R		R		R		R		
Cooling Water	O	O	• Replace at every 10000 km or once a year it at every 5000 km.								I
✓ Spark Plug	O	O	• Clean (C) at every 2000km and replace (R) at every 5000 km.								
✓ Valve Clearance	X	O	A		A		A		A		
✓ Carburetor	X	O			I		I		I		
✓ Drive Belt	O	O								I	
✓ Drive Chain	O	O		A	A	A	A	A	A	A	
✓ Air Cleaner	O	O		I	R	I	R	I	R	I	
✓ Battery Electrolyte	O	O		I	I	I	I	I	I	I	I
✓ Fuel Filter Screen	O	O					R				
✓ Brake System	O	O		I	I	I	I	I	I	I	I
✓ Clutch Lever Free Play	O	O	A		A	A	A	A	A	A	
✓ Bolts & Nuts	O	O	T			T			T		
✓ Tire Pressure	O	O		I	I	I	I	I	I	I	I
Motor Oil Strainer	O	X									
Engine Oil Pump	O	X	I		I		I		I		

The above items are applicable to different models. Perform suitable items for each model.
 When exceeding the listed mileage, perform maintenance according to the listed intervals.
 The air cleaner requires more frequent cleaning or replacing when ridden in unusually dusty areas.

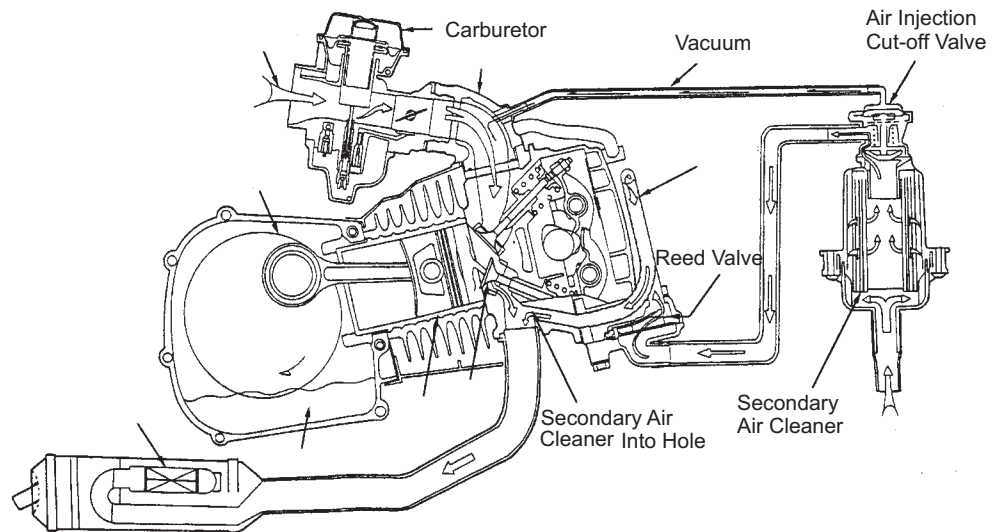


(4) SPECIFICATIONS

Engine Type	OHC air cooling 4-stroke single cylinder	Overall Length	2057 mm
Displacement	124.1 cc	Overall Width	725 mm
Bore x Stroke	56.5x49.5 mm	Overall Height	1174 mm
Compression Ratio	11 : 1	Dry Weight	137 kg
Max. Output	13 / 9500 ps/rpm	Wheel Base	1355 mm
Max. Torque	1/8500 kg.m/rpm	Ground Clearance	170 mm
Idle Speed	1600 rpm	Tire Size	FR:110/80-17 RR:140/70-17
Transmission Type	Left foot operated gear shift pedal	Fuel Type	nonleaded gasoline
Clutch	Wet Multi-Disc Clutch	Oil Tank Capacity	1.0 liter
Ignition	C.D.I.+T.P.S	Fuel Tank Capacity	13.5 liter
Starting System	Starting motor	Engine Oil Type	SAE15W40
Spark Plug	NGK-CR8E	Battery	12V6.5AH
Brake Type	Disk/Disk	Fuse	15A

11.KYMCO CLEAN AIR SYSTEM (FOR EURO 3)

The KYMCO Clean Air System is a secondary air suction system that helps the exhaust gases to burn more completely. When the spent fuel charge is released into the exhaust system, it is still hot enough to burn. The system allows extra air into the exhaust system so that the spent fuel charge can continue to burn. This continued burning action tends to burn up a great deal of the normally unburned gases, as well as changing a significant portion of the poisonous carbon monoxide into harmless carbon dioxide.



KWANG YANG MOTOR CO.,LTD.
NO.35 Wan Hsing Street, San Min District
Kaohsiung, Taiwan, Republic of China
Telephone : 886-7-3822526
FAX : 886-7-3950021

By KWANG YANG Motor Co., Ltd.
First Edition, Jul 2006
All rights reserved. Any reproduction or
unauthorized use without the written permission of
KWANG YANG Motor Co., Ltd.
is expressly prohibited.
4121-LEC8-U00