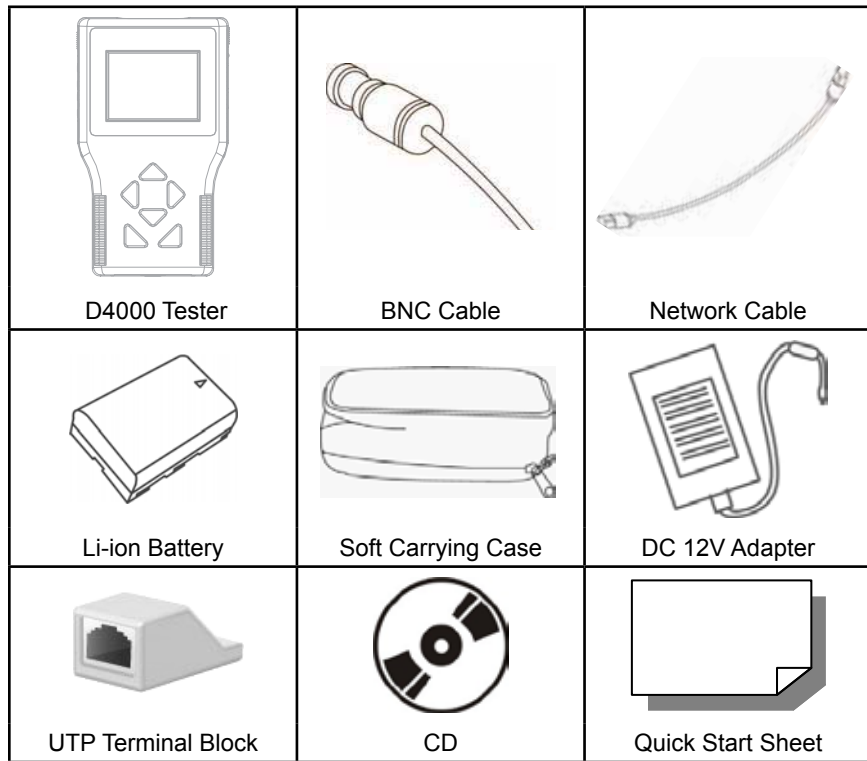
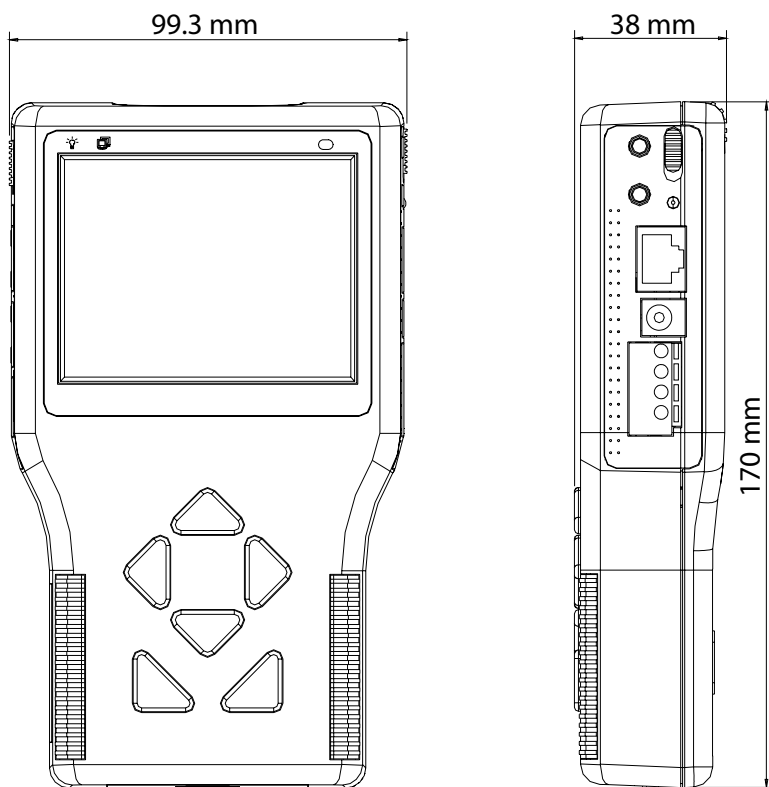


This quick operation guide is a quick reference for users to install and operate the D4000 camera tester and only provides basic information on the settings and operation. Before attempting to connect, configure and operate the tester, please read the user manual thoroughly.

### Box Contents



### Dimensions



### Powering On / Off

To power on the IP Camera Tester:

1. Set the Main Power Slide Switch on the side to "ON" position.
2. Press the Start Key and hold for 3 seconds. The Power Indicator LED (above the screen) will light.
3. When the Tester powers on, a loading bar will display on the screen for 10 seconds and the Data TX/RX Indicator LED will blink.
4. The Home Screen will display within 50 seconds.

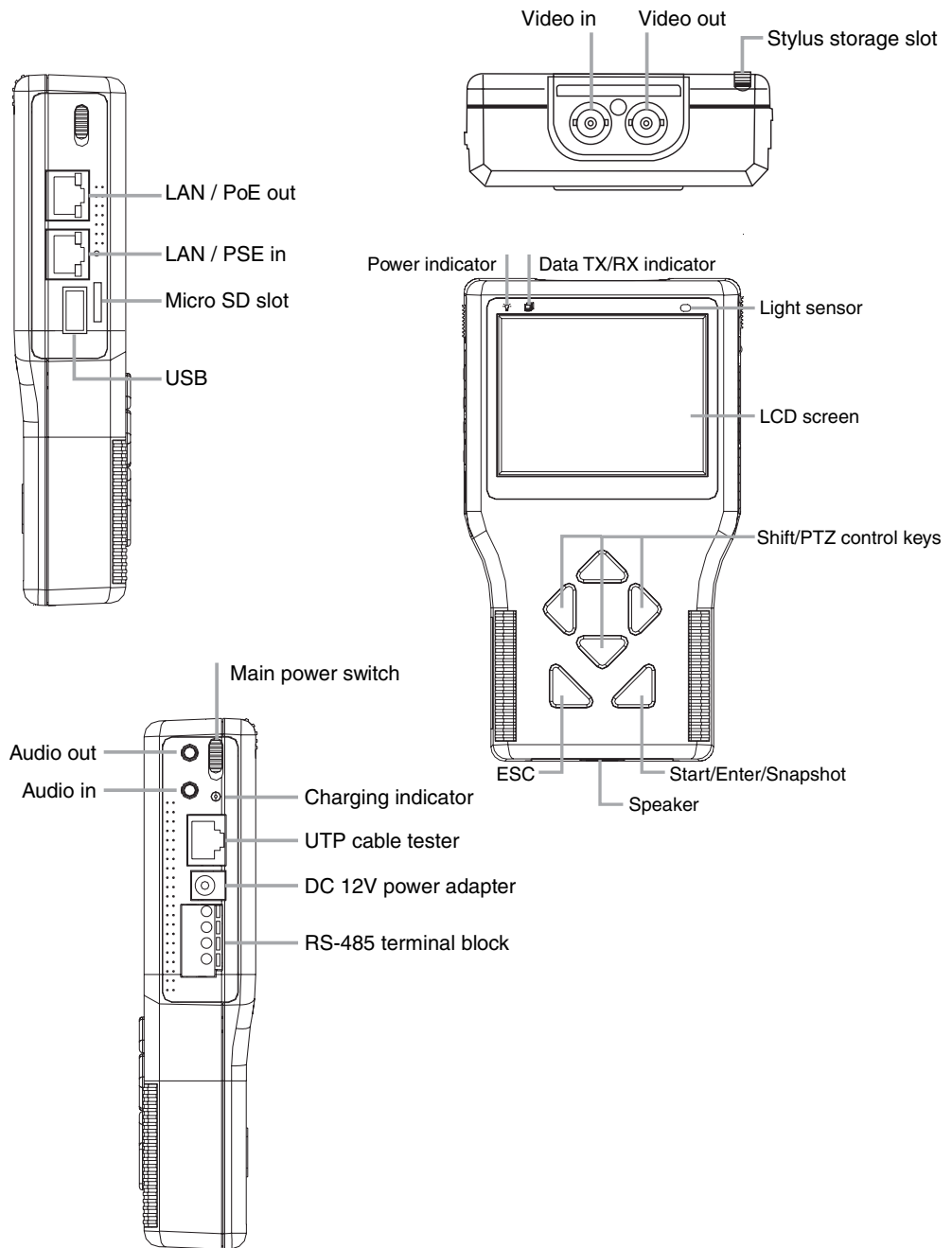
### Charging the Battery

The IP Camera Tester uses a rechargeable Li-ion battery pack that takes approximately four hours to charge, and provides the Tester with up to three hours of operating life.

To charge the battery:

1. Plug the included DC 12V adapter in the side of the Tester.
2. While the battery is charging, the charging indicator light (above the power cable) will illuminate. When the battery is completely charged, the light will turn off.

### Connections



Item	Description
LAN / PoE out	Connect the LAN cable from the PoE-enabled IP camera.
LAN / PSE in	N/A
Micro SD slot	Data storage up to 4GB.
USB	Use for firmware upgrades or external storage.
Video in	Connect to camera with BNC cable.
Video out	Connect to monitor with BNC cable.
Stylus storage slot	Use the included stylus for touch screen operation.
Power indicator	The LED is lit when the power is on.
Data TX/RX Indicator	The LED flashes when the Tester is under operation.
Light sensor	The light sensor detects environmental brightness to automatically adjust the LCD screen brightness.
LCD screen	3.5" screen displays video and camera setup menus.
Shift/PTZ control keys	Press the arrow keys to navigate the setup icons, items in a menu, or use the keys to control a connected PTZ camera.
ESC	Press to exit a menu without saving or return to the previous page.
Start/Enter/Snapshot	Start: Turn on the Main Power Switch, then press this key for 3 seconds to start the tester. Enter: Press this key to enter a sub-menu or save setup. Snapshot: When viewing IP camera video, press this key for an image snapshot. Press the key and the snapshot menu will open within 5 seconds. Tap Enter to save the settings of the image.
Main power switch	Switch to on before pressing the Start key.
Audio out	Connect to a headset.
Audio in	Connect to a microphone.
Charging indicator	The light will stay lit while the battery is charging.
UTP cable tester	Use a network cable to connect the tester to the CAT5 UTP terminator for detecting wiring types (straight/corss) or errors (open, short, miswired) using the wire map displayed on the screen.
DC 12V power adapter	Connect the supplied DC adapter.
RS-485 Terminal Block	Connect the RS-485 lines to the terminal block correctly for the dome camera's PTZ control.
Speaker	For audio output.