

BOLZONI S.p.A.
29027 Casoli di Podenzano
(Piacenza) Italy
Tel: +39-0523-55 55 11
Fax: +39-0523-52 40 87
Internet: www.bolzoni-auramo.com
E-mail: sales.it@bolzoni-auramo.com

AURAMO OY
P.O.Box 78 (Valmole 22)
01511 Vantaa - Finland
Tel: +358-9-82 531
Fax: +358-9-87 01 037
E-mail: sales.fi@bolzoni-auramo.com

BOLZONI AURAMO GmbH
P.O.Box 101224
Stockkamp 12-14
42612 Solingen - Germany
Tel: +49-212-24041-0
Fax: +49-212-24041-99
E-mail: sales.de@bolzoni-auramo.com

BOLZONI AURAMO SARL
Rue Avogadro
Technopôle de Forbach-Sud
57600 Forbach - France
Tel: +33-3-87 84 65 40
Fax: +33-3-87 84 65 45
E-mail: sales.fr@bolzoni-auramo.com

BOLZONI AURAMO S.L.
Polig. Industrial Riera de Caldes
C/ dels Basters, 12-14 -
Apdo. 62,

08184 Palau sotià i Plegamans
(Barcelona) Spain
Tel: +34-93-864 86 33
Fax: +34-93-864 83 50
E-mail: sales.es@bolzoni-auramo.com

BOLZONI AURAMO LTD
Unit 10, Taurus Park
Europa Boulevard
West Brook
Warrington Cheshire WA5 7ZT - United Kingdom
Tel: +44-1925-62 45 70
Fax: +44-1925-62 45 78
E-mail: sales.uk@bolzoni-auramo.com

BOLZONI AURAMO RENTAL LTD
Unit 10, Taurus Park
Europa Boulevard
West Brook
Warrington Cheshire WA5 7ZT - United Kingdom
Tel: +44-1925-62 45 70
Fax: +44-1925-62 45 79
E-mail: sales.uk@bolzoni-auramo.com

BOLZONI AURAMO AB
P.O.Box 172
80103 Gävle - Sweden
Tel: +46-26-64 72 30
Fax: +46-26-64 72 35
E-mail: sales.se@bolzoni-auramo.com

BOLZONI AURAMO S.r.l.
S.S. 16 Km 770+580
70052 Bisceglie (BA) Italy
Tel: +39-080-39 51 437
Fax: +39-080-39 51 393
E-mail: sales.it@bolzoni-auramo.com

BOLZONI AURAMO POLSKA
Ul. Partyzancka 52,
21-020 Milejów
Poland
Tel: +48-81-46 26 464
Fax: +48-81-46 26 464
E-mail: sales.pl@bolzoni-auramo.com

BRUDI BOLZONI AURAMO INC.
17635 Hoffman Way
Homewood, Illinois 60430 - U.S.A.
Tel: +1-800-358 54 38 (USA only)
Tel: +1-708-957 88 09
Fax: +1-708-957 88 32
E-mail: sales.us@bolzoni-auramo.com

BRUDI BOLZONI AURAMO Ltd.
90C Brunswick Blvd
Dollard-des-Ormeaux, Quebec H9B 2C5 - Canada
Tel: +1-800-685-78 71 (Canada only)
Tel: +1-514-685-78 71
Fax: +1-514-685-52 38
E-mail: sales.ca@bolzoni-auramo.com

BOLZONI AURAMO S.A.
Av. Ispibon Goyenechea 2925
Office 103
Las Condes
Santiago - Chile
Tel: +56-2-374 09 99
Fax: +56-2-374 03 68
E-mail: sales.cl@bolzoni-auramo.com

BOLZONI AURAMO (Pty) Ltd.
P.O.Box 7198
Baulkham Hills DC
NSW 2153 - Australia
Tel: +61-2-9659-22 24
Fax: +61-2-9659-22 25
E-mail: sales.au@bolzoni-auramo.com

BOLZONI AURAMO NEW ZEALAND Ltd.
P.O.Box 34941
Birkenhead
Auckland - New Zealand
Tel: +64-9-570 40 29
Fax: +64-9-570 40 23
E-mail: sales.nz@bolzoni-auramo.com

BOLZONI AURAMO SOUTH AFRICA (Pty) Ltd.
P.O. Box 915
Benoni 1500
South Africa
Tel: +27-11-421-07 38
Fax: +27-11-421-52 08
E-mail: sales.za@bolzoni-auramo.com

AURAMO BALTIC OÜ
Suur-Sõjamae 10
Tallinn 11415 - Estonia
Tel: +372-6-10 11 14
Fax: +372-6-10 11 58
E-mail: sales.ee@bolzoni-auramo.com

AURAMO S.p.A.
Loc. Campogrande, 6
29013 Carpaneto (PC) Italy
Tel: +39-0523-85 28 38
Fax: +39-0523-85 95 75
E-mail: sales.it@bolzoni-auramo.com

MCGOWAN ENGINEERING LTD
Lightburn Road
Cambuslang - Glasgow G72 7XS - Scotland (U.K.)
Tel: +44-141-641-3648 /2359
Fax: +44-141-641-51 47
E-mail: info@mcgowaneng.co.uk

HYDRONIKA BV
Waterbeemd 6a
Industrieterrein "De Weijer-West" - 5705 DN Helmond
The Netherlands
Tel: +31-492-47 27 00
Fax: +31-492-38 28 44
E-mail: info@hydonika.nl

CEMAT s.r.o.
Ul. CSA 196
735 51 Bohumin-Pudov
Czech Republic
Tel: +42-69-60 13 541-3
Fax: +42-69-60 13 522
E-mail: cemat@cemat.cz

TECNOSIL LDA.
Rua Quinta das Rosas, 2
Parque Industrial Quinta das Rosas
2840-131 Aldeia de Paio Pires
Sesal - Portugal
Tel: +351-21-22 67 340
Fax: +351-21-22 67 349
E-mail: tecnosil@tecnosil.pt

EUROLIFT Pty. Ltd.
2/81 Harrison Road
Dudley Park 5008
South Australia
Tel: +61-8-83 46 35 55
Fax: +61-8-83 46 94 22
E-mail: info@eurolift.com.au

KGM Handling and Storage Equipment
Private Bag X29
Somerset West 7129
South Africa
Tel: +27-21-85 53 798
Fax: +27-21-85 53 794
E-mail: kgmhandling@mweb.co.za

INSTANT INDUSTRIES ASIA Pte. Ltd
243 Ubi Avenue 4
Intrepid Warehouse Complex
Singapore 408823
Tel: +65-6745-60 00
Fax: +65-6745-62 22
E-mail: industries@instant.com.sg

INSTANT MATERIALS HANDLING SDN BHD (Pty) Ltd.
No. 23, 1st Floor, Jin TSB 10A
Tmn. Industri Sg. Buloh, 47000, Sungai Buloh, Selagor Darul Ehsan
Malaysia
Tel: +60-3-6157 28 96
Fax: +60-3-6157 07 81
E-mail: imhsb@tm.net.my

ADJL INTERNATIONAL (TAIWAN) LTD.
4-6Fl, No.28, Sec. 3,
Chung San North Rd.,
Taipei - Taiwan
Tel: +886-2-2668-67 68 / 69 / 70
Fax: +886-2-2668-67 73
E-mail: adjl@saturn.seed.net.tw

SHANGHAI SOLID LIFTING EQUIPMENT Co., Ltd.
Add. AB 2F Taihao Building,
No.3211 Hongmei Rd., Shanghai,201103
P.R.China
Tel: +86-21-64461366,86-21-64461249
Fax: +86-21-54580980
E-mail: guanjie@mail.hf.sh.cn

PT AURAMO Mekanika Tradindo
JL.Agung Perkasa 10/11
Sunter Agung Podomoro
Jakarta 14350 - Indonesia
Tel: +62-21-65 21 247
Fax: +62-21-65 12 378
E-mail: sales.id@bolzoni-auramo.com

USER MANUAL

FORK POSITIONERS

SERIES SF

SERIES SG

960014E r2

BOLZONI
AURAMO 

Safety instructions



WARNING !!!

Know the capacity and limitations of your machine. Do not overload the lift truck or the attachment. Please note that the rated capacity of the truck/attachment combination may be less than the capacity shown in the attachment nameplate. The lift truck manufacturer is responsible for calculating the rated capacity for the combination. See the truck's nameplate.

WARNING !!!

Never stand on the forks or on the load



WARNING !!!

Never stand under a load or attachment.

WARNING !!!

Never stand in the attachment operating area or between the forks.



WARNING !!!

Limit driving with a raised load to the minimum. Never accelerate or brake powerfully with a raised load.

WARNING !!!

Handle only those products with the attachment that it has been designed for. It is unsafe to lift any other objects. Do not use the attachment for clamping.



WARNING !!!

Do not risk the lift truck stability by side-shifting. Side-shift only when the load is lowered down or near its seat. Use extreme caution when handling off-centered loads.

WARNING !!!

Always check the operating condition of the attachment before use. Never use a defective or damaged attachment. Repairs may be done by authorized personnel only.

5. Maintenance

5.1 Daily

- Check the operation of fork positioning and side-shift.
- Check for leaks.
- Check the attachment and forks for any signs of damage or defects.
- Check for loose fasteners.

5.2 Every 300 hours

- Clean the attachment.
- Check the operation of fork positioning and side-shift.
- Check for leaks.
- Check the attachment and forks for any signs of damage or defects. Check all welds.
- Check for loose fasteners.
- Check the bearings and back-up rollers. Replace excessively worn parts.
- Check the side-shift bearing slides (SG series only). Replace excessively worn parts.
- Grease the upper bearings and back-up rollers. Grease the side-shift bearing slides (SG series only). Use good quality chassis grease.
- Check the forks. Ensure that there are no visible cracks, especially in the fork heel area. Replace excessively worn, defective or damaged forks.

carriage. Weld the supplied centering blocks to the carriage or to the upper mounting hooks.

- Install the lower mounting hooks. Secure the bolts with Loctite 270. Fastening torque 540 Nm (55 kpm / 400 lbs-ft). In quick-change models, close the lower mounting hooks.

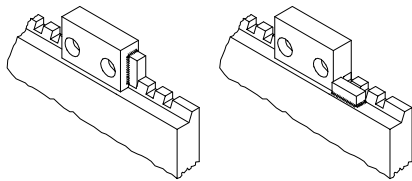


Figure: Positioning centering blocks to the upper mounting hook or to the upper carriage

WARNING !!!

Upper mounting hooks must be properly engaged to the upper carriage bar before fastening lower mounting hooks.

4.3 Installation: Hydraulic lines

Flush the mast hosing to prevent the air and debris from entering the attachment.

Connect the hydraulic lines coming

from the lift truck to the connection blocks found on the attachment. The exact location of the connection blocks depends on the type of the lift truck and the mast used on the lift truck. Consult the spare parts book.

4.4 Installation: Checks before using the attachment

- Check the attachment for any loose bolts or fittings.
- Operate all movements several times in order to force any remaining air from the hydraulic system to the tank.
- Check for leaks.
- Ensure that the hoses will not be twisted or chafed in any of the operation positions.

NOTE

The attachment is pre-lubricated at factory. No greasing necessary after the initial installation.

Index

1. General	3
2. Introduction	3
3. User Instructions	4
4. Installation	5
5. Maintenance	7

1. General

This manual contains installation, maintenance and user instructions for Bolzoni Auramo SF and SG Series fork positioner attachments.

Please read this manual carefully before using or servicing this equipment. In this way, you will ensure safe and error-free operation of the attachment right from the start.

Make sure that you know how the attachment works before attempting to use it.

Every country has its own safety regulations concerning lift trucks and lift truck attachments. It is the responsibility of the user to know and follow these regulations. If safety recommendations given in this manual should differ from your local regulations, you should always follow the local regulations.

2. Introduction

The Bolzoni Auramo SF and SG Series fork positioner have two separate functions.

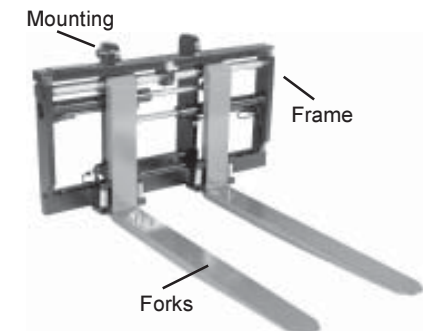
Fork positioning

This feature enables an easy and accurate adjustment of the fork opening. Forks can easily be moved into a position which suits the dimensions of the pallet or the width of the load

Side-shift

Side-shift eases load positioning in

tight spaces and thus reduces the need to maneuver the lift truck. SF series has internal sideshift. SG series has external sideshift.



3. User Instructions

Using the lift truck and fork positioner attachment

Only trained and authorized operators may use the lift truck and the fork positioner attachment.

Driving with the load

Drive carefully and safely. Avoid strong acceleration and braking. Always drive with the load lowered down and, if possible, the mast tilted backwards. No speeding! No overloading - consult the lift truck nameplate for available lifting capacity!

Parking

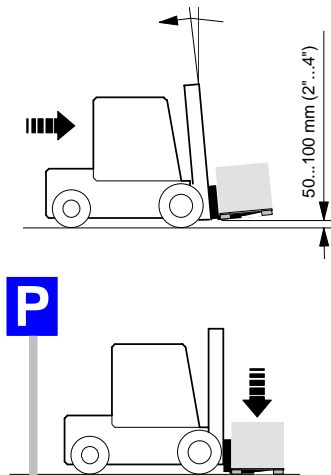
Always lower the load (and attachment) down when parking. Shut the power off and set the brakes on when leaving the truck unattended.

Loading

When taking a load or pallet from a stack, back away only so far as to be able to lower the load safely. Never accelerate or brake powerfully when the load is up, as this can lead to loss of balance. Use extreme care when side-shifting or tilting raised loads.

Side-shifting

Do not risk the lift truck stability with side-shift. Side-shift only when



the load is lowered down or near its seat. Use extreme caution when handling off-centered loads.

WARNING !!!

The SF Series fork positioner, with an internal side-shift, may be able to side-shift more than ± 100 mm (± 4 ").

The amount of available internal side-shift depends on the frame width and the fork opening. When the forks are in a totally open or closed position, there is no side-shift available.

4. Installation

4.1 Lift truck requirements

Hydraulic functions:

Two

Hydraulic pressure:

Recommended

14.0 MPa (140 bar / 2,030 psi)

Maximum

Consult the attachment nameplate

Oil flow:

SF/SG-18	10-30 l/min
SF/SG-25	10-30 l/min
SF/SG-30	10-30 l/min
SF/SG-40	20-50 l/min
SF/SG-50	20-50 l/min
SF/SG-70	20-50 l/min
SF/SG-80	20-50 l/min
SF/SG-120	30-70 l/min

WARNING !!!

Never exceed the maximum operating pressure.

4.2 Installation: Integral mountings (models SF/SG-Fi and SF/SG-Ai)

- Mount the mast rolls onto the stub shafts.
- Adjust the rolls according to the specifications given by the lift truck manufacturer.

- Mount the attachment to the mast. Connect the lifting chain. Adjust the chain tension. Please refer to the lift truck manufacturer's instructions.
- Mount the stop blocks (if required). Check that the stop blocks and their counterparts on the mast are correctly positioned.

WARNING !!!

Ensure that your lifting device has enough capacity to lift the attachment. Beware of the load swing when lifting the attachment during the installation.

4.3 Installation: ISO-2328 mountings (models SF/SG-F and SF/SG-A)

- Check and clean the lift truck carriage.
- Open the lower mounting hooks. In quick-change models, pull the lever and simultaneously turn the hook down.
- Lift the attachment onto the carriage. Ensure that the upper hooks are correctly engaged to the carriage.
- Center the attachment on the