

TRP-C08S

USB to 1 RS232 and 1 RS422/485 Isolated Converter



User's Manual

Printed Sep. 2014 Rev 1.4

Trycom Technology Co.,Ltd

No.35, Zhongxing Rd., Guishan Township, Taoyuan County 333, Taiwan.

Tel : 886-3-350-3351 Fax: 886-3-350-3352

Web: www.trycom.com.tw

Copyright

Copyright Notice: The information in this manual is subject to change without notice to improve reliability, design and function and does not represent a commitment on the part manufacturer. No part of this manual may be reproduced, copied, or transmitted in any form, without prior written permission by the manufacturer. Products mentioned in this manual are mentioned for identification purposes only. In this manual, product names appearing may or may not be registered trademarks of their respective companies or copyright.

1. Introduction

The TRP-C08S allows you to connect 2 serial devices simultaneously by using a USB interface. With auto configuration in data format, baud rate and RS485 data flow direction control TRP-C08S is able to automatically configure RS-232, RS-422 and RS-485 signals, data format and baud rate without outer switch setting. TRP-C08S is equipped with 3000V DC of isolation and internal surge protection on each data line to protect the computer and converter against high voltage spikes, as well as ground potential differences. TRP-C08S also features a high-speed 256 Kbps transmission rate and supports various O.S. The industry DIN rail and panel mounting design enable user a fast and professional installation.

1-1. Features

- USB-2.0 Device Controller
- On-Chip 512-Byte FIFO for upstream and downstream data transfers for serial Port
- System gets two serial port when the converter plug in
- Auto switching RS422/485 detecting
- Auto direction flow control on RS485.
- Auto baud rate switching from 300bps to 256 Kbps.
- Direct power from USB port , no need external power supply
- 3000 VDC isolation protection on RS422/485.
- Surge protection on RS422/485 data line.
- Power and TXA/RXA/TXB/RXB communication LED indicator
- Din-Rail (option)or panel mount Driver support:
- Driver Support: Android/Win8.1/Vista64/32,Windows 98/ME/2000/XP/WIN 7/CE5.0~7.0, and Linux, and Mac OS.

1-2. Specification.

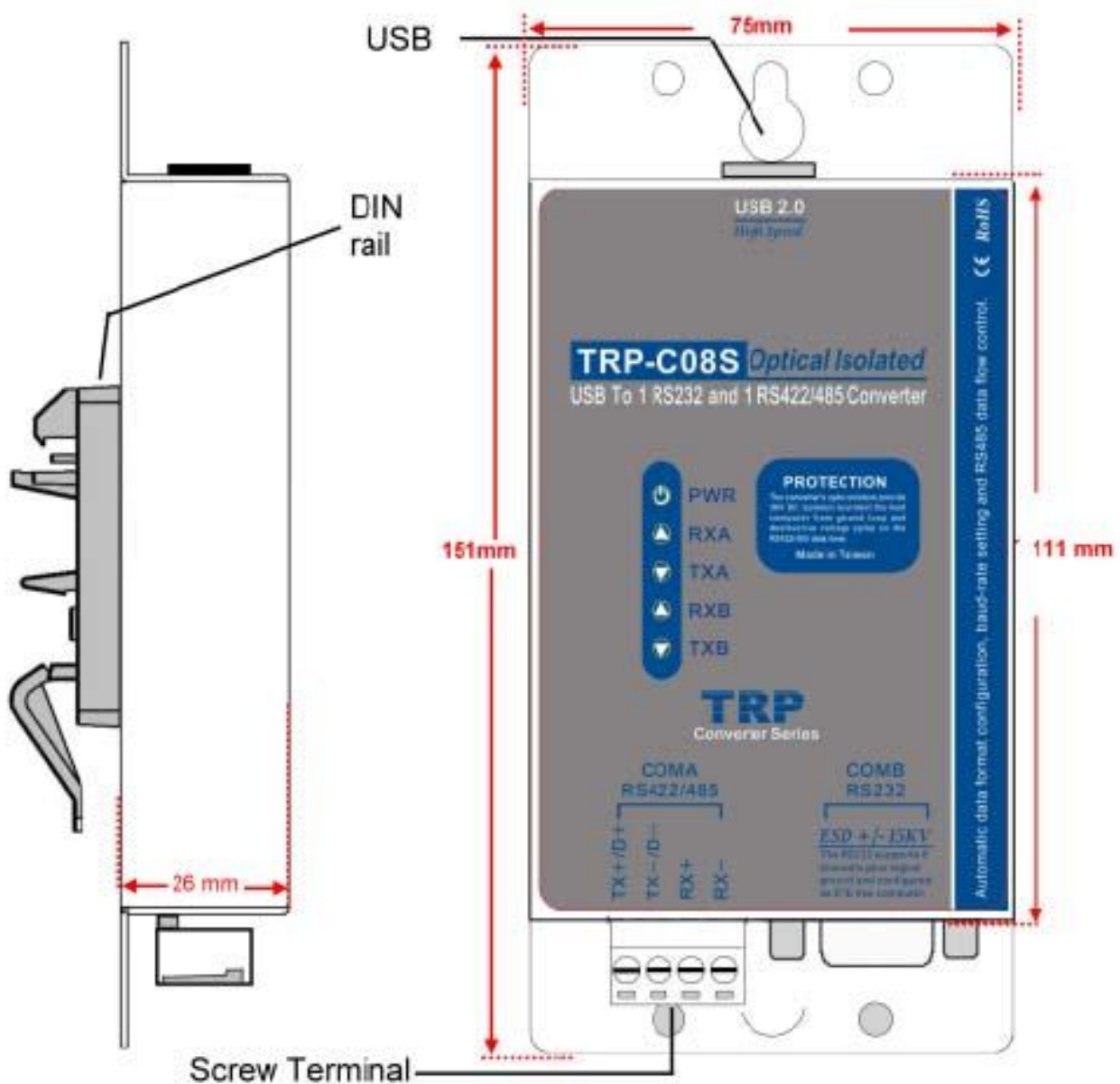
- Input: USB 2.0 protocol.
- RS232 output: Standard 9 pin DTE full-duplex.
- RS422 output: Differential 4 full-duplex wires (TX+, RX+, TX-, RX-)
- RS485 output: Differential 2 half-duplex wires (D+, D-).
- Data Format: Asynchronous data with all common combination of bits, parity, stop
 - Parity type: None, odd, even mark, space.
 - Data bit: 5, 6, 7, 8
 - Stop bits: 1, 1.5, 2.
- Cable: USB 2.0 type A to type B cable.
- Communication speed: form 300bps to 256Kbps.
- RS-422/485 line protection: Against surge, short circuit,+/- 15KV ESD and voltage peak.
- RS-232 line protection: +/- 15KV ESD.
- Distance: RS-422/485 Up to 4000ft (1250M).
- Connection type: Screw terminal for maximum AWG #12~30 wire.
- DIN rail and panel mount support.
- Power consumption: 130mA by USB power.

- RS422/485 Optical Isolation: 3000V DC.
- Operating environment: 0 to 65°C .
- Storage temperature: -20 to 65°C .
- Dimension: 151mm X 75mm X 26mm.

- Weight: 375g.
- Humidity: 10-90% non-condensing.

2. Hardware Description

2-1. Panel layout



2-2. LED Indicator

PWR LED: System is ready.

RXA LED: COMA-RS422/485 Receiving.

TXA LED: COMA-RS422/485 Transmitting.

RXB LED: COMB-RS232 Receiving.

TXB LED: COMB-RS232 Transmitting.

2-3. Serial Connection

The TRP-C08S has one DB-9 male connector and a 4-PIN RS422/485 connector. The serial port is configured as a DTE (data terminal equipment) device. All PC COM ports are DTE ports. A null modem cable is required to make a connection between the PC COM port and the TRP-C08S serial port. Straight through cable is required to connect the TRP-C08S serial port to a DCE device.

2-4. Power Connection (USB Internal Bus)

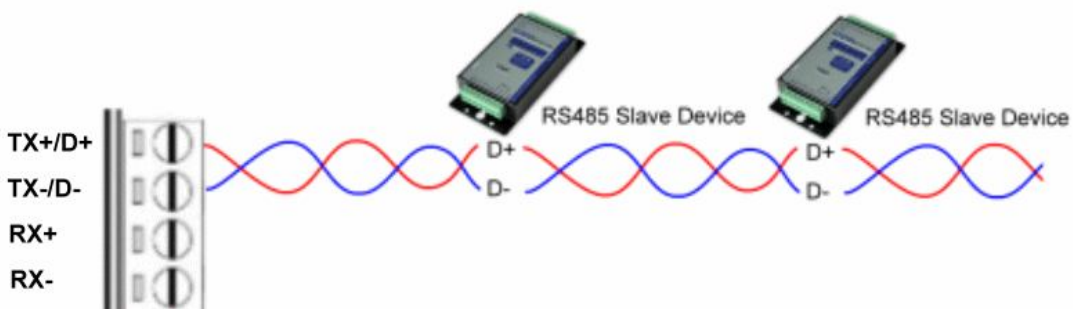
Direct power input from USB port.

2-5. USB Connection

The TRP-C08S has a USB B-Type connector which is fully compliant with USB 2.0, the full rate speed up to 256Kbps.

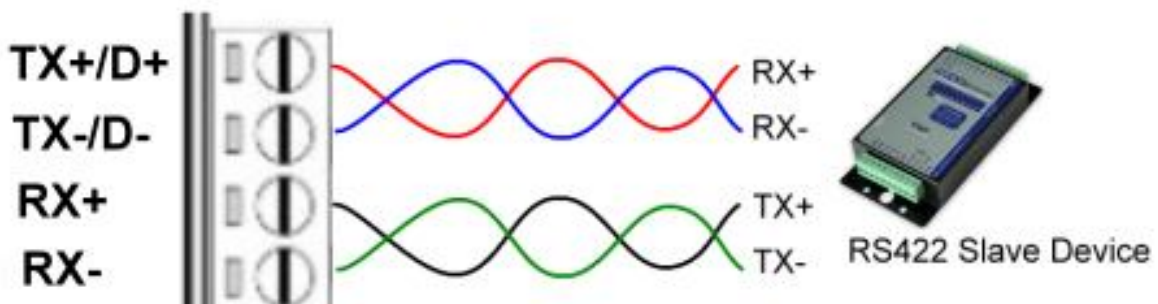
2-6. RS485 Wiring

The RS-485 mode supports the Transmit and Receive channels using 2-wire half-duplex operation.



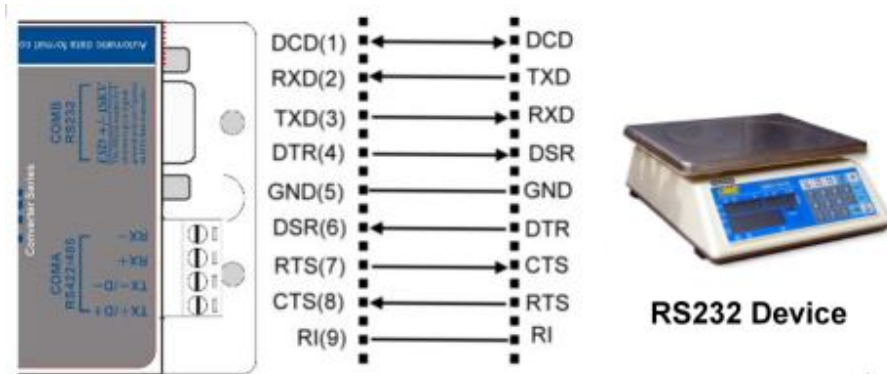
2-7. RS422 Wiring

The RS-422 mode supports 4 channels with full duplex operation for Receive, Transmit, the data lines are in differential pairs.



2-8. RS232 Wiring

The RS-232 supports 8 channels plus Signal Ground and is configured as DTE like a computer. Signals are single ended and referenced to Ground. To use handshaking, Flow Control must be set to RTS/CTS during configuration. Refer to the Pin out table for connections.



2-9. USB Cable Wiring

TRP-C08S is true USB 2.0 specification, it also supports USB V1.0, V1.1 standard. It is strongly to recommend user use the standard A to B type USB 2.0 cable if USB1.0 cable can not work properly.

3. TRP-C08S Software Installation.

1. Power on your computer and boot to Windows.
2. Put the driver CD in the CD-ROM then select the driver of O.S you want (See figure1)

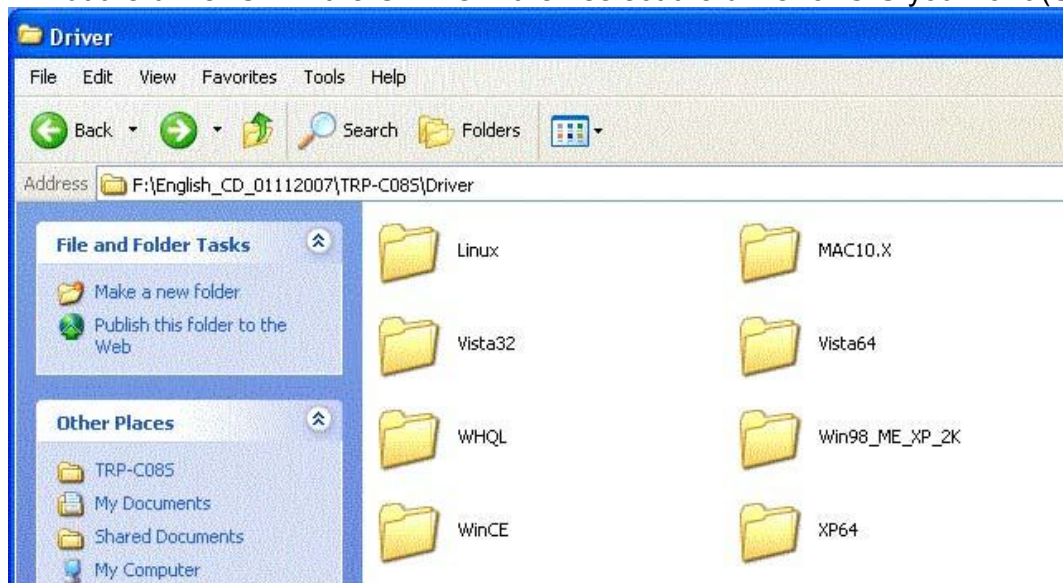


Fig.1

3-1 .Install Vista32/64 driver

Find “MSSetup.exe” utility which in the Vista64 folder. Double click on MSSetup.exe to start the installation process. Make sure that the User installing the driver must be a member of the Administrator group on the system

You will get a “User Account Control” window saying “An unidentified program wants access to

your computer". Click on *Allow* to continue installing the Driver.

You will get an installation window as below, press "Install" button to install the drivers for High-Speed USB Multi Serial Device.



During the installation process, a "Windows Security" warning message pops up informing that "Windows cannot verify the publisher of this driver software". Ignore the warning message by clicking on the option "install this driver software anyway".



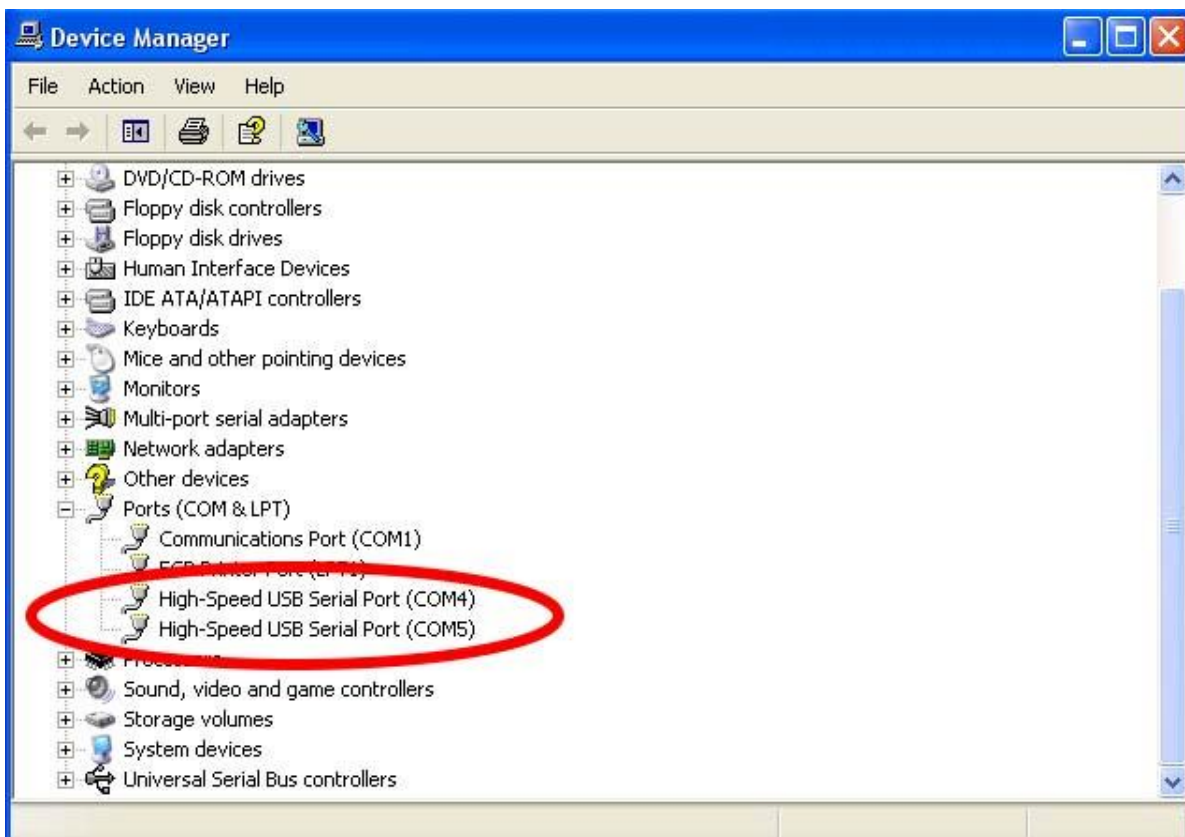
You will get the above message two times and you have to select "install this driver software anyway". The utility displays a message stating "Installation completed". Use "Exit" button to complete the driver installation.



3-1-1. TRP-C08S Device Installation & Detection:

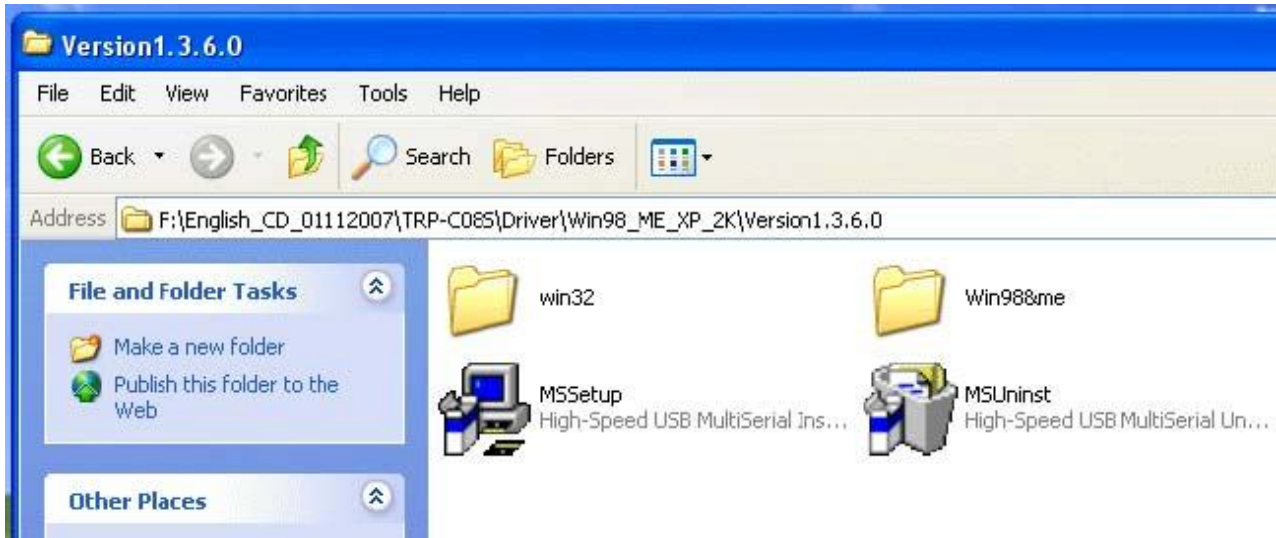
Connect TRP-C08S to the USB Host controller of the PC using a USB cable. The first time you plug-in the cable into the USB port, Windows will start installing the device driver software. You can see the installation status at the pop-up message of system tray. After installation, the pop-up message says *"Your devices are ready to use", Device driver software installed successfully.*

TRP-C08S device detection can be confirmed by checking at the Device manager. Check for *"MosChip High-Speed USB MultiSerial Compound Device"* under *Universal Serial Bus controllers* and you will find *"MosChip High-Speed USB Serial Port (ComX)"* under the category *Ports (COM & LPT)*. Here 'X' in 'ComX' represents the serial port number. You can see the same in the figure below.



3-2 .Install XP driver

Find MSSetup.exe and MSUninst.exe which in the folders for Win XP/2K and Win98/ME operation system.



Use "MSSetup.exe" utility to install the driver. Double click on the utility to start the installation process. Press "Install" button to install the drivers for High-Speed USB Multi serial Device.



During the installation process, a warning message will popup informing the user that the software being used has not passed the Windows Logo testing. You can ignore the warning message by clicking on the option "**Continue Anyway**".

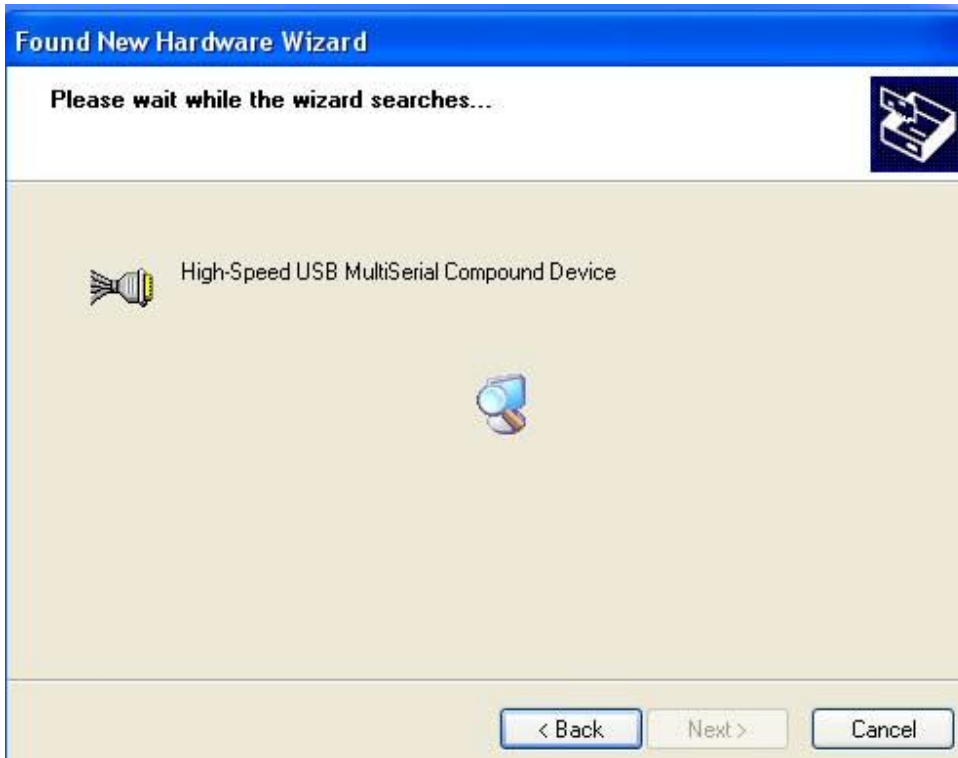


The utility will display a message stating "Installation completed". Use "**Exit**" button to complete the driver installation.



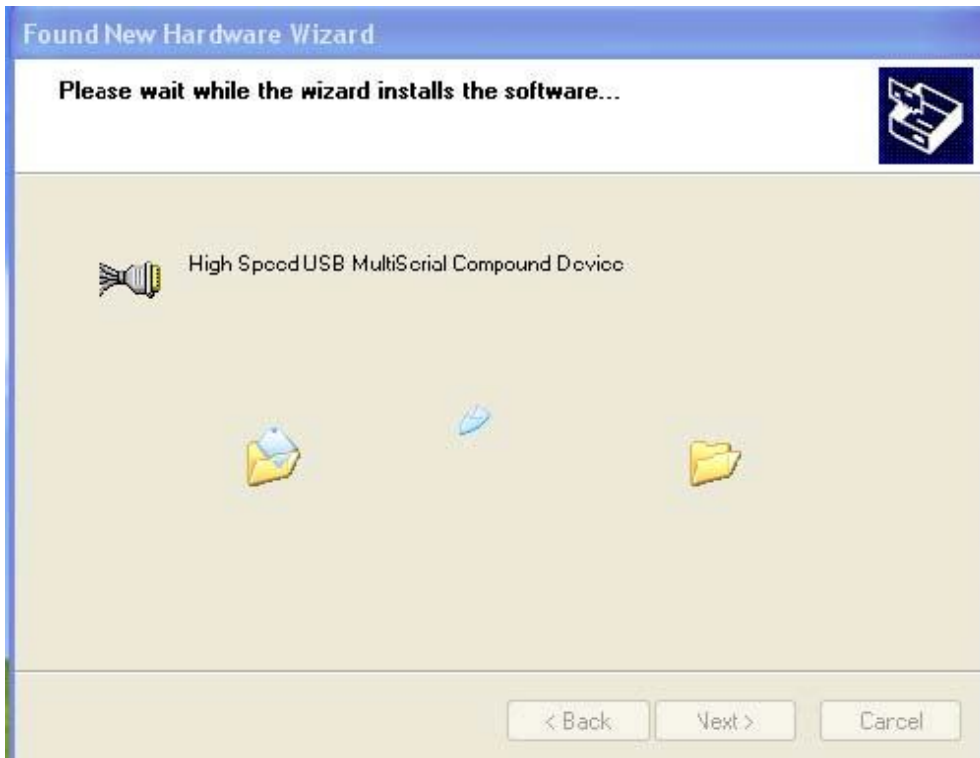
Connect TRP-C08S to the USB Host controller of the PC by using a USB cable. The first time you plug the adapter into the USB port, Windows will bring up the "**Found New Hardware Wizard**" window to guide you through the initial configuration process. Select the option "**No, not this time**" and click on "**Next**" button to continue.

The following wizard helps you install the software for "High-Speed USB Multi Serial Compound device". Select the option "**Install the software automatically**" and click on "**Next**" to proceed further.



As specified in earlier section, a warning message will popup informing the user that the software being used has not passed the Windows Logo testing. You can ignore the warning message by clicking on the option “**Continue Anyway**”.





The following window conveys that the OS had finished the software installation for “High-Speed USB Multi Serial Compound Device”. Click on “**Finish**” to complete found new hardware wizard.



Follow the same steps as explained for “High-Speed USB Multi Serial Compound Device” for the second port installation . Select the option “**Install the software automatically**”



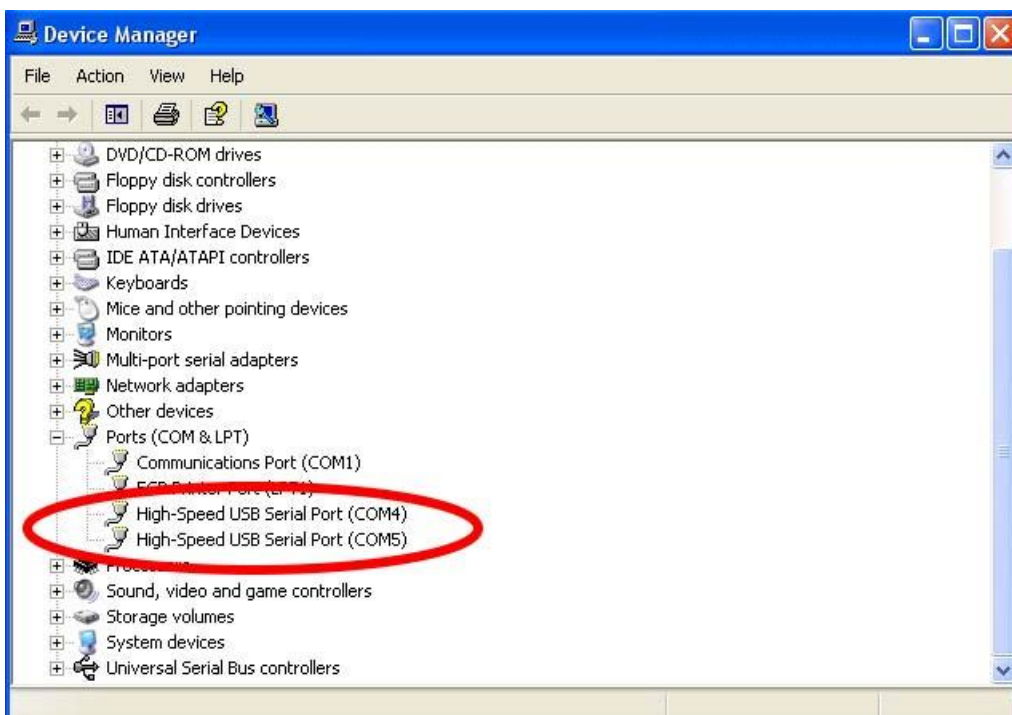
“Continue Anyway”... ..



The following wizard indicates that the OS has completed installing the software for the first serial port. Continue the same process for installing the rest of the serial ports.



TRP-C08S device detection can be confirmed by checking the Device manager. Check for "High-Speed USB Multi Serial Compound Device" under Universal Serial Bus Controllers and "High-Speed USB Serial Port (Com X)" under the category Ports (COM & LPT)

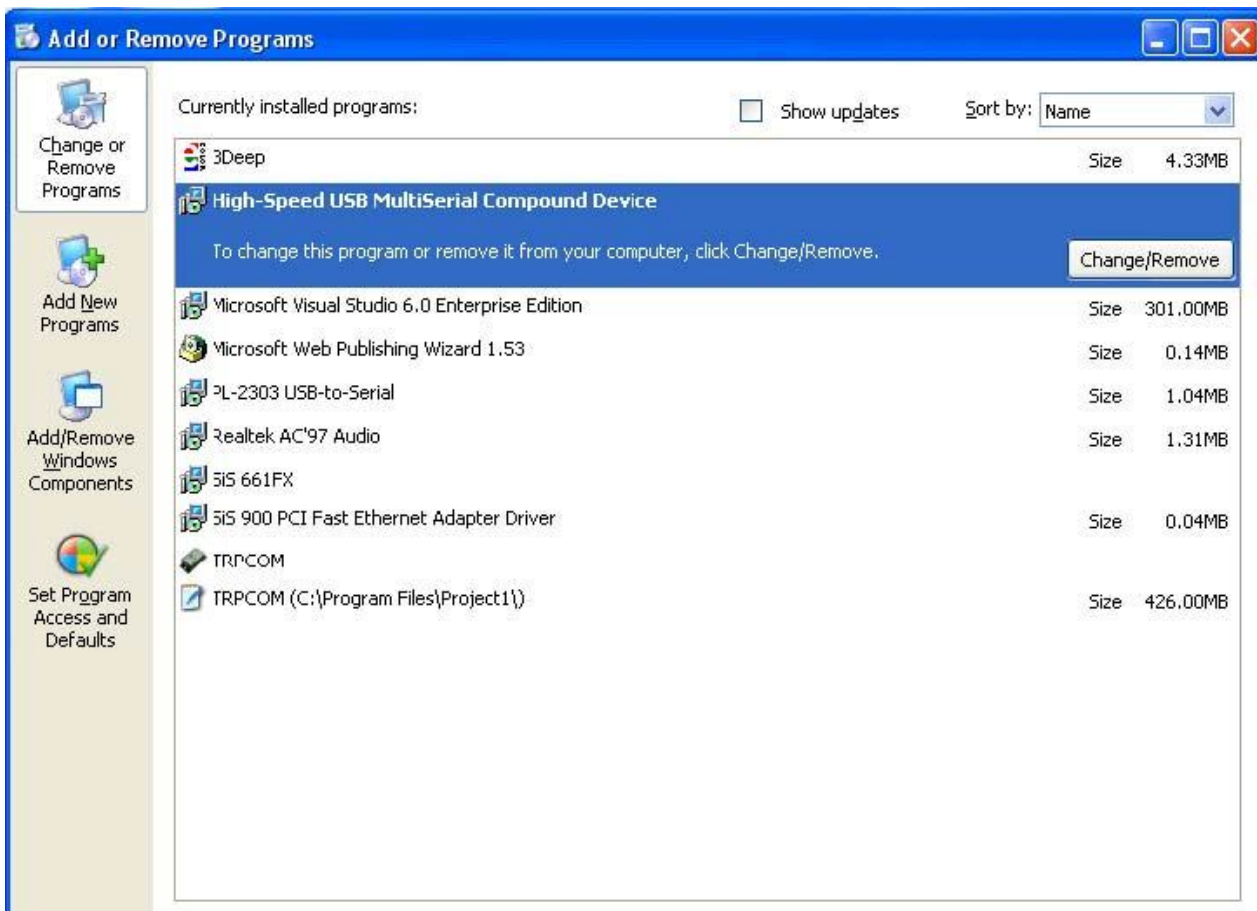


Now the TRP-C08S Device is ready to use.

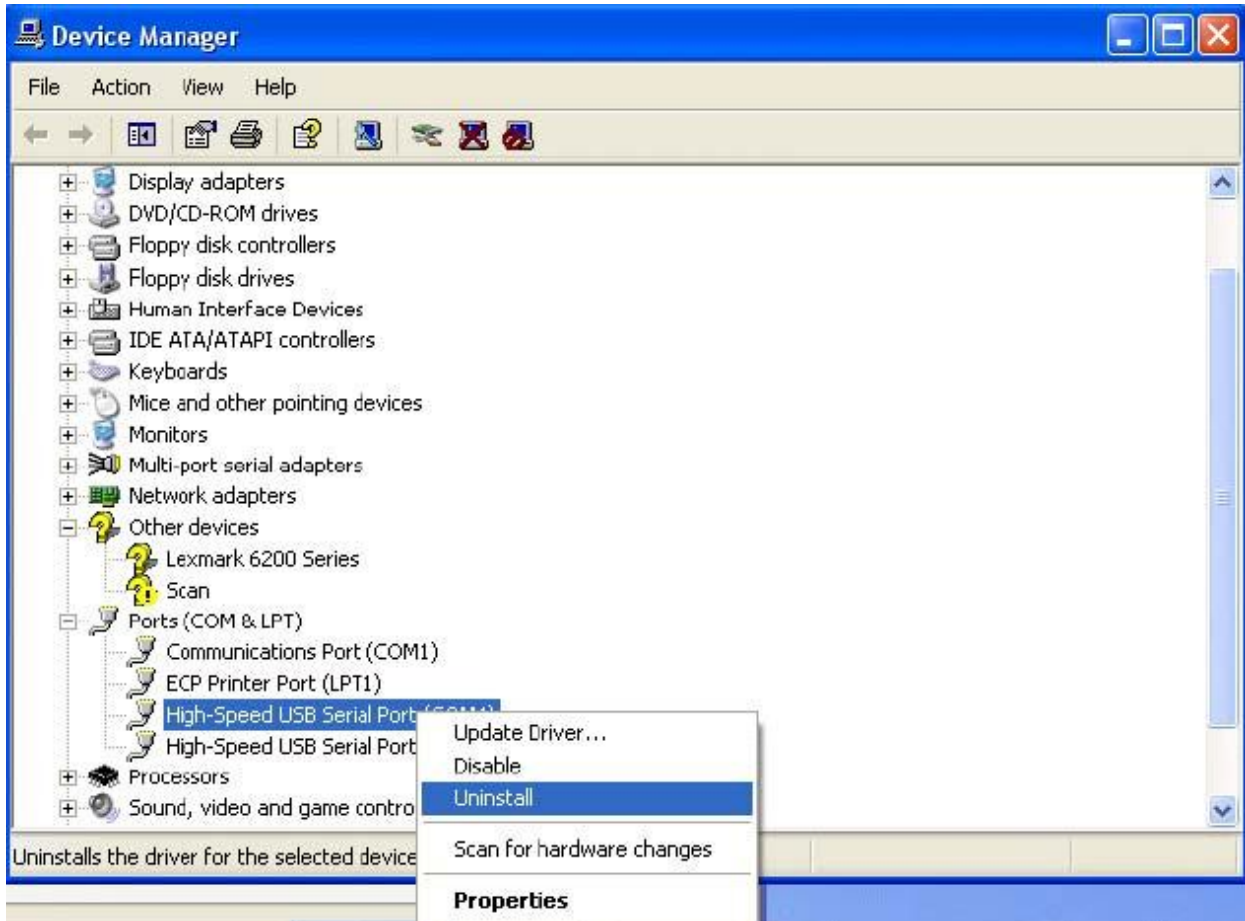
3-3 .Uninstall XP driver Use “MSUninst.exe” to uninstall the TRP-C08S device driver from your PC. Double click on the utility to run the Uninstaller. Click on **OK** to proceed further.



Use the “**Exit**” button to complete the Uninstaller utility. No need to restart the PC, unless prompted by the OS. The driver can also be uninstalled from **Control panel – Add / Remove Programs**. Select the “High-Speed Multi Serial Compound Device” from the Add / Remove panel and click on “**Remove**” option. This will remove the MCSTRP-C08S device driver from the PC.



The TRP-C08S device driver can be un-loaded through “**Device Manager**” as well. Go to Device Manager, Select High-Speed USB Multi Serial Compound Device from the Universal serial Bus controllers, Right Click on it, Select “**Uninstall**” as shown below.



The OS will prompt the user whether to uninstall the device from the system. Click on “OK” to uninstall or “Cancel” to terminate the un-installation.

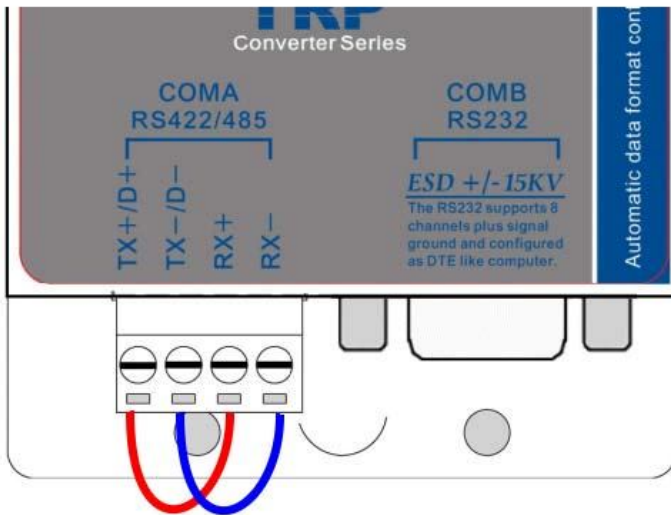
The Win2K software Installation, Detection and Un-Installation procedures are same as Win XP OS process. The only difference being, there is no need of user intervention during the detection of MCSTRP-C08S. When you connect MCSTRP-C08S to the USB, Win 2000 OS will automatically detect the device without interference of the user.

6. How to test TRP-C08S

Trycom Technology Co.,Ltd offers test utility, this is utilities may help user to demo and test TRP-C08S fast and easily. User may find the utilities in Trycom support CD or download from Trycom web www.trycom.com.tw , direct to perform TRPCOM.exe from the directory.

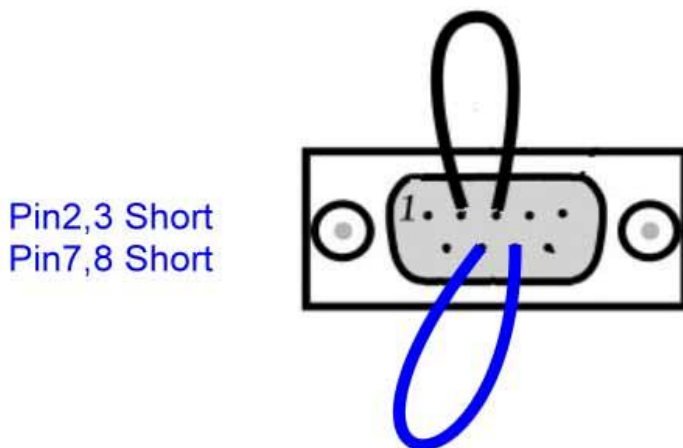
6-1 RS422 Loop Back Test

Hardware wiring connection for RS422 loop test.



6-2 RS232 Loop Back Test

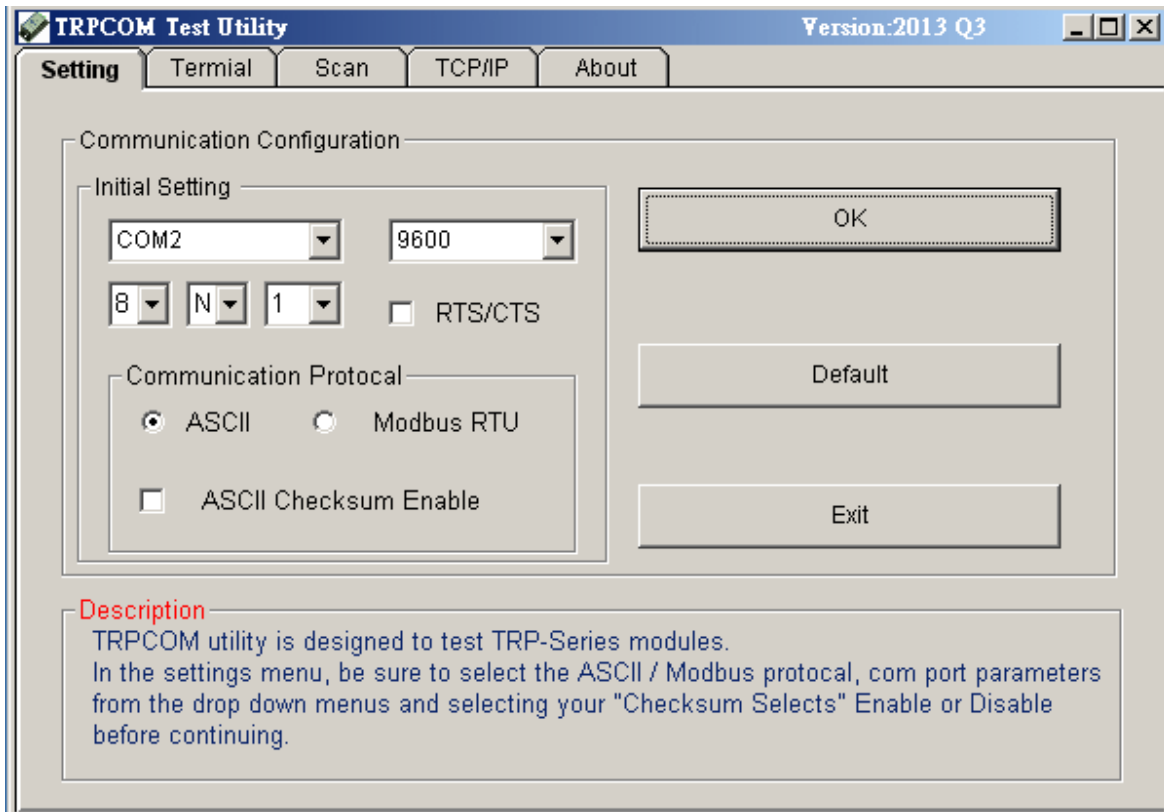
Hardware wiring connection for RS232 Loop Test.



6-3. Loop Back Test Software

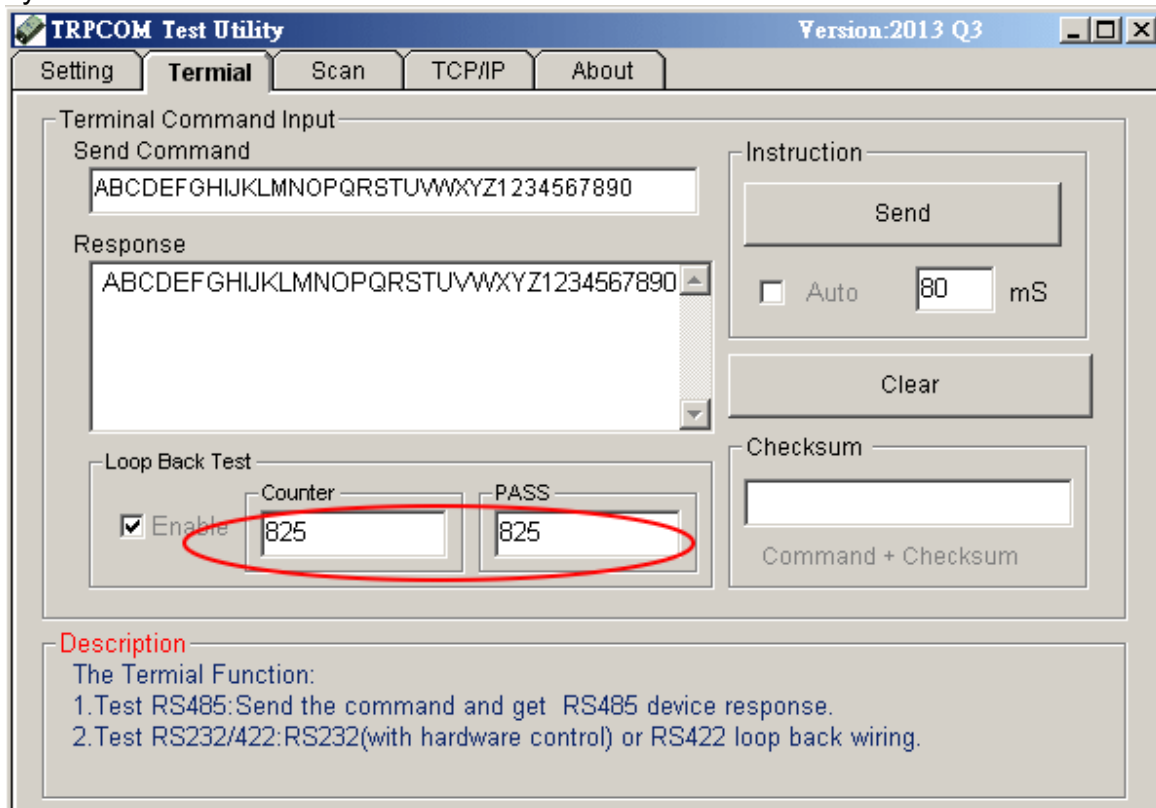
STEP1: Run the "TRPCOM.EXE" utility.

STEP2: Click the "Setting" to set the com port and baud rate then press OK .



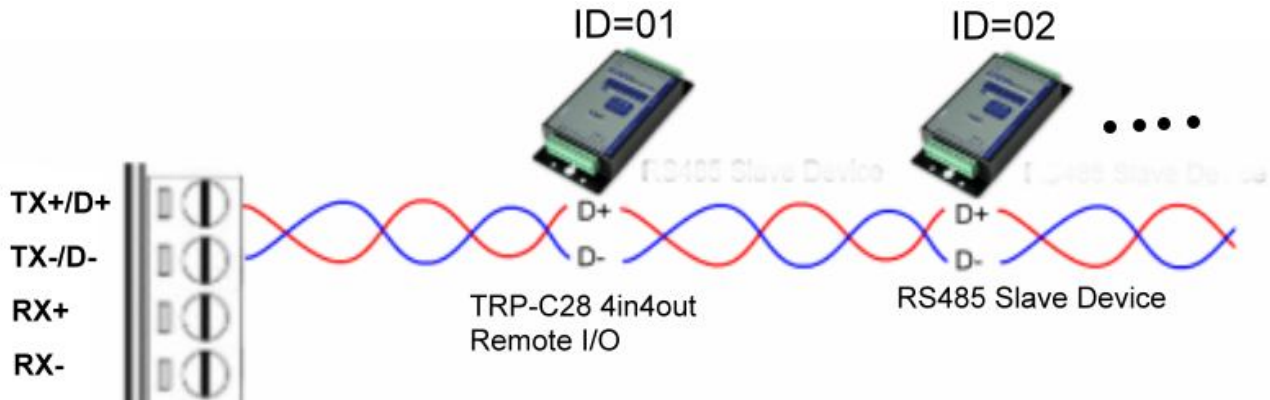
*Please note: "COM2" is an example of COM port number; the real COM number is assigned by user PC.

STEP3: Click the "Terminal" then select Loop back enable, the counter value and pass value will be synchronized counts.



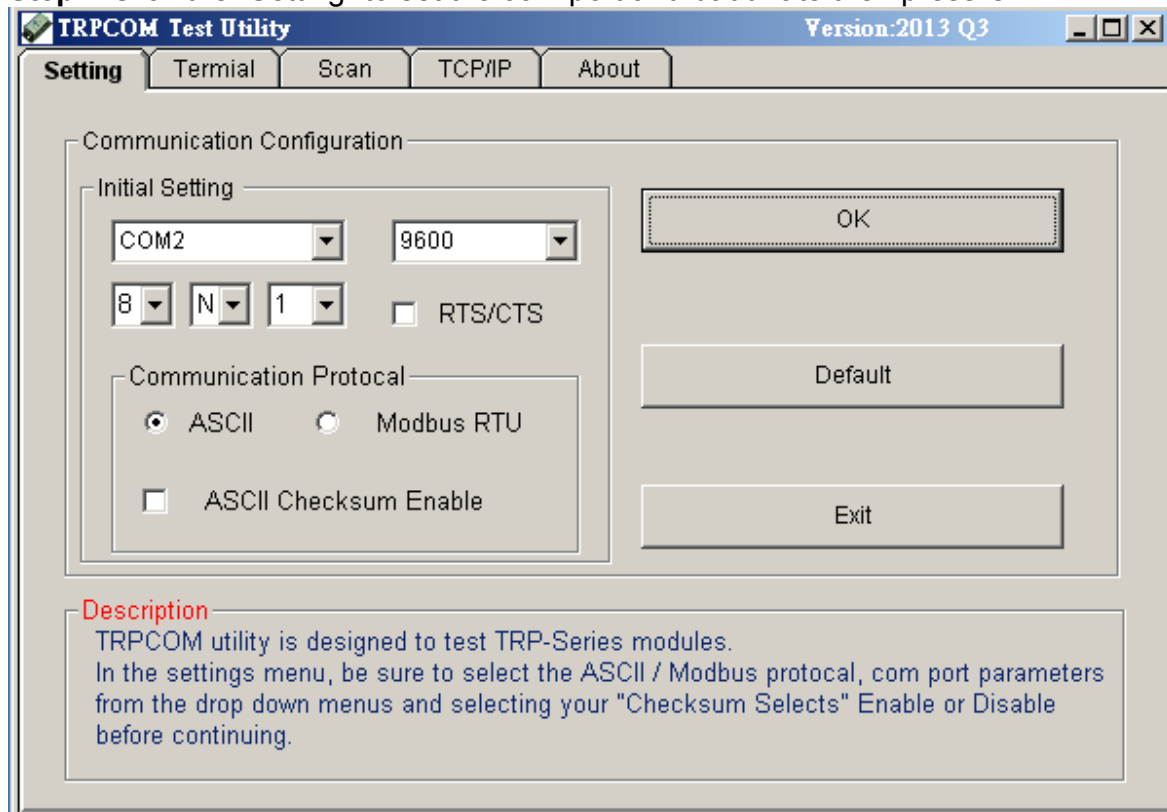
6-4. RS485 test

RS485 test mode, it can be connected to RS485 Device, such as connecting TRP-C28, send "\$01M" instruction from the client side, when the TRP-C28 received command that will response "!01TRPC28" indicates execution completed.



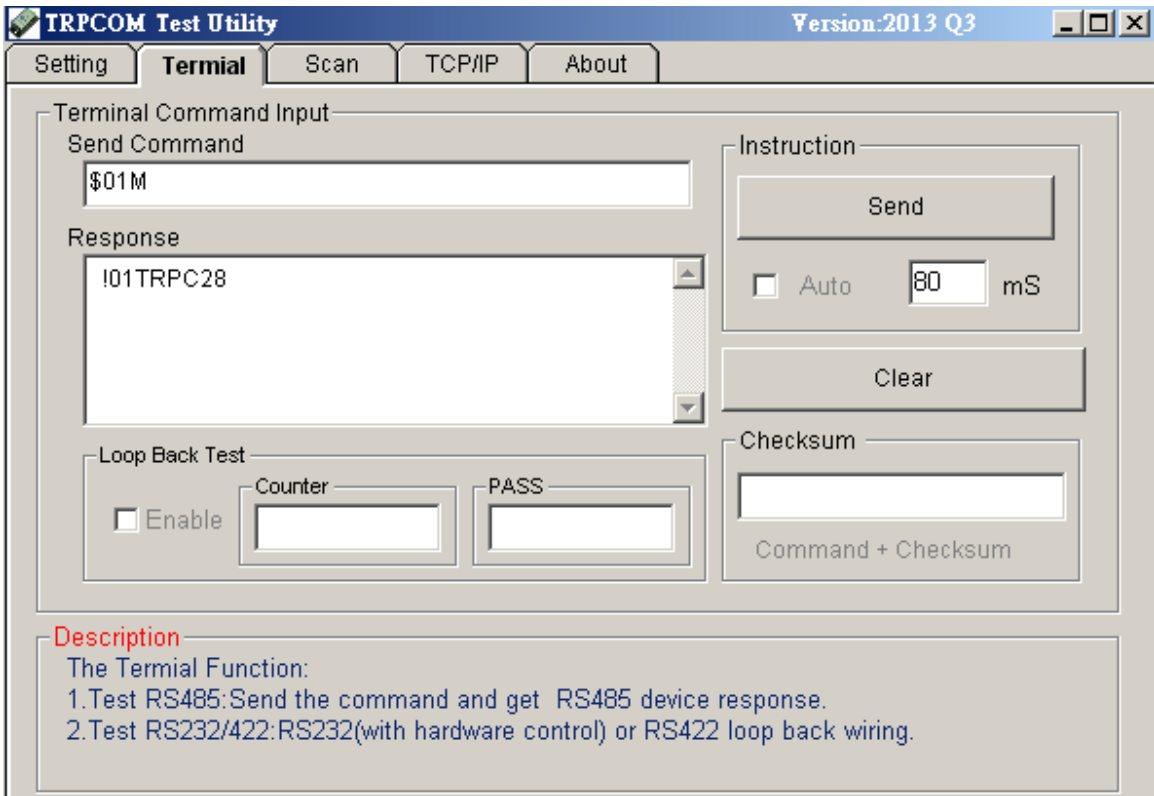
Step1. Run TRPCOM.exe utility.

Step2. Click the "Setting" to set the com port and baud rate then press OK.



Step3. Send command "\$01M" and press "Send" button.

Step4. TRP-C28 response received.



7. TRP-C08S Application.

