

USER'S MANUAL



Planet Audio®

PHR7B / PHR7G / PHR7T

Universal Headrest with Pre-installed 7" (178mm)
Widescreen TFT Video Monitor



Planet Audio®

www.planetaudiousa.com

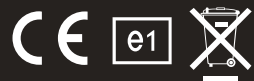
TELEPHONE
888.990.1236
805.988.0215

FAX
805.988.0275

TECHNICAL SUPPORT
www.planetaudiousa.com/support

PHR7B PHR7G PHR7T 02.2012

all specifications subject to change without notice
© 2012 Planet Audio





PHR7B
PHR7G
PHR7T

**7"(178mm) UNIVERSAL HEADREST WITH
PRE-INSTALLED WIDESCREEN TFT VIDEO MONITOR
WITH BUILT-IN DUAL CHANNEL INFRARED AUTO TRANSMITTER**

PRECAUTIONS2
 On screen (OSD)menu system
 -screen monitor.....4
 Function setting menu instruction.....5
 Installation.....5
 Features and controls.....7
 A/V and power connections.....8
 Specifications.....9
 Troubleshooting.....10

Thank you for purchasing our product. To enjoy the features of this device and to ensure years of trouble-free operation, please read this manual carefully and follow the instructions.

Troubleshooting

If you experience or performance problems with this product, compare your installation with the electrical wiring diagram on the previous page. If problems persist, read the following troubleshooting tips which may help eliminate the problems.

SYMPTOM	CAUSE	REMEDY
No picture or sound.	Power cord is not properly connected.	Check that power connections are properly made and all fuses are in functioning condition.
	A/V input cables not properly connected.	Check all cables.
	A/V input source is not properly connected.	Replace or repair A/V source(DVD player, video game, etc.)
No picture.	A/V signal not present.	Check all cables. If necessary, replace A/V source.
	Contrast and/or brightness is set improperly.	Adjust contrast and brightness levels to see if picture appears.
Remote control does not function properly.	Battery is dead.	Replace battery.
	Remote is not being used in direct line of sight with the player or remote IR sensor. Transmission is best within 6/feet/35° angle of IR sensor on the monitor.	Be sure when being used, the remote is being pointed directly toward the player or remote IR sensor (if installed).

SPECIFICATIONS

Power Requirements	DC 12V
Power Consumption	6W
Screen Size	7 inch LED Backlit TFT LCD
Screen Format	16:9 Wide
Resolution Pixel	800xRGBx480
A/V Inputs	Two video & one audio inputs
Dimensions	(W)13.5x(D)10.59x(H)5.5inch
IR Power Requirements	DC 12V
IR Power Consumption	3W
IR Transmitter Frequency A	A: Right 2.8MHz Left 2.3MHz
IR Transmitter Frequency B	B: Right 3.8MHz Left 3.2Mhz
LCD Panel Type	Active Matrix TFT
Compatible video standard	NTSC/PAL auto select

Note: This equipment has been tested and found to comply with the limits for a Class A digital device, pursuant to part 15 of the FCC Rules. These limits are designed to provide reasonable protection against harmful interference when the equipment is operated in a commercial environment.

This equipment generates, uses, and can radiate radio frequency energy and, if not installed and used in accordance with the instruction manual, may cause harmful interference to radio communications. Operation of this equipment in a residential area is likely to cause harmful interference in which case the user will be required to correct the interference at his own expense.

PRECAUTIONS

Please read and observe all warning and instructions in this owner's manual and those marked on the unit. Retain this booklet for future reference.

There are two kinds of alarm symbols as follows:



WARNING

The lightning flash with arrowhead symbol within an equilateral triangle is intended to alert the user to presence of "dangerous voltage" within the product's enclosure that may be of sufficient magnitude to constitute a risk of electric shock to people.



CAUTION

The exclamation point within an equilateral triangle is intended to alert the user to the presence of important operating and maintenance (servicing) instructions in the literature accompanying the product.



WARNING



Do not try and service these products yourself. Seek only a qualified service center or factory service center.



Use extra caution with any liquids in your car. If you or your child spills any liquid on these products, pull your vehicle to the roadside and turn the key off to disconnect and wipe the products with a towel. Do not operate the equipment until all liquids have either evaporated or you have had the monitor inspected at a service center by a qualified technician. Severe harm or danger can occur.



Be careful not to drop or apply pressure to the front panel of your video monitor. If the screen cracks due to misuse, your warranty will be void!



Be careful not to overload your cigarette lighter plug by adding more than one device at a time.



Use only a damp cloth to clean the screen and use only purified water on the cloth. Wring out all excess water prior to wiping the screen. Do not use any cleaners or chemicals to clean the screen. In most cases a dry cloth will do!

⚠ CAUTION



Quality installations are best performed by qualified and certified installers.



Watching the monitor for an extended period of time with the engine turned off may deplete the vehicle's battery.



Do not cover heater ducts or vents. This may cause a fire or an electric shock.



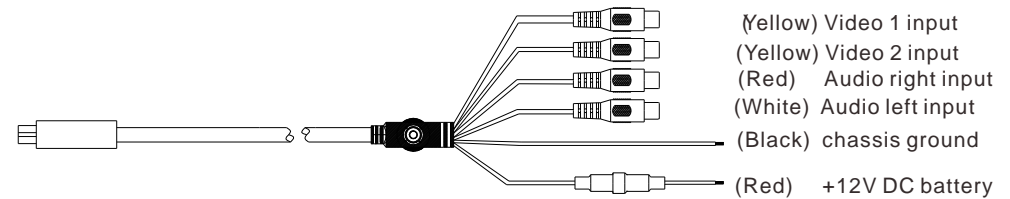
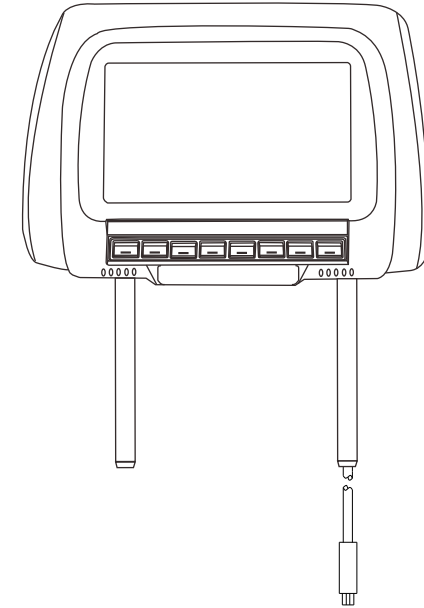
This product is designed for operation with a 12 Volt DC, negative ground vehicle. It is not suitable for operation under other conditions or voltages.

Check Point

1. The operating temperature of this product is limited to 14 °F ~140 °F (-10 ~60 °C)
2. When your vehicle is extremely hot or cold you must allow time for your air conditioner or heater to cool or heat the vehicle and for operating temperatures to return to normal operating ranges. Your monitor will return to its normal functions when operating ranges are achieved.
3. Optimum picture quality is achieved when you are directly in front of the monitor (+/-45 degrees).

On a towel or soft cloth, gently place the monitor assembly "face down" on a stable work surface.

Using the wires provided, complete the audio, video and power connections in your vehicle as shown in the diagram below.



On-screen (OSD) menu system - SCREEN MONITOR

1. Press the "POWER" key on monitor or remote controller to turn on the monitor.
2. Press the "MENU" key on monitor or remote unit, the OSD (ON SCREEN DISPLAY) menu will be shown on the display as below.

BRIGHT	ROTATE
CONTRAST	ZOOM
COLOR	LANGUAGE
TINT	RESET
SOURCE	IR

3. Press "MENU" key on monitor or remote unit to select the adjustment item. Then press "+" or "-" key to adjust the new setting value. Each adjustment item is shown as below:

*BRIGHT Adjustment

Pressing "+" key, the screen color gets more bright.
Pressing "-" key, the screen color gets less bright.

*CONTRAST Adjustment

Pressing "+" key, the screen gets high intensity.
Pressing "-" key, the screen gets lower intensity.

*COLOR Adjustment

Pressing "+" key, the screen color gets richer.
Pressing "-" key, the screen color gets lighter.

*TINT Adjustment

Pressing "+" key, the screen gets greenish.
Pressing "-" key, the screen gets reddish.

*ZOOM Adjustment

Press "+" or "-" key to select the picture image to 16:9 or 4:3 display.

*SOURCE Adjustment

Press "+" or "-" key to change to AV1 or AV2.

*IR Adjustment

Press "+" or "-" key to select the IR channel to "A" or "B".

*ROTATE Adjustment

Reverses the displayed image (useful with rear camera systems)

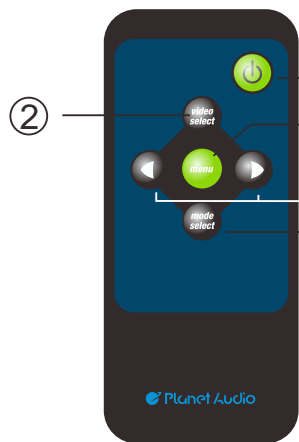
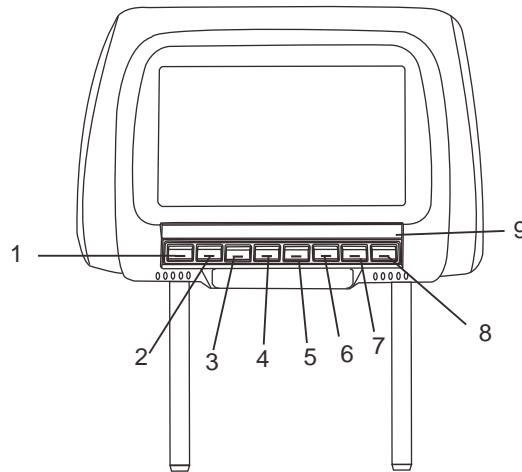
*LANGUAGE Adjustment

Press "+" or "-" key to select the different OSD language.

*RESET Adjustment

Press "+" or "-" key to return all setting to factor values.

1. Power switch
2. V1 switch
3. V2 switch
4. Decrease
5. Menu
6. Increase
7. Mode switch
8. Sys switch
9. Remote sensor

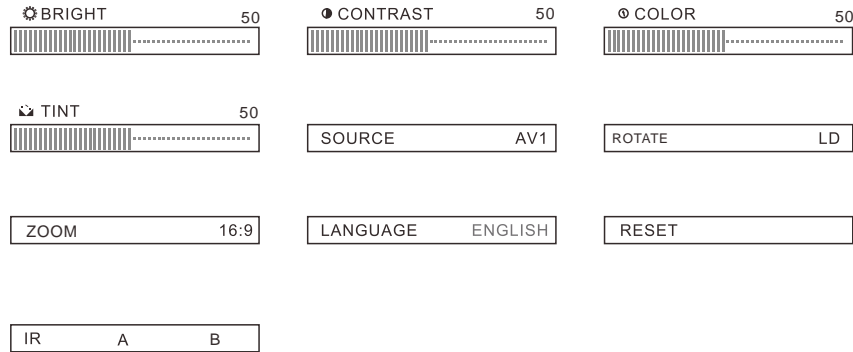


- 1 POWER**
Press to turn unit ON or OFF.
- 2 A/V SELECT**
Use this button to switch between Video source 1 and Video source 2.
- 3 MENU**
This button enables the on-screen display menu system. Once enabled, this button is used as an ENTER button.
- 4 UP/DOWN BUTTONS**
These buttons are used to increase or decrease parameters in the on-screen display menu system.
- 5 MODE SELECT**
This button switches display ratio between 4:3 and 16:9.

Function Setting

Menu instruction

The following menus will appear when pressing "MENU" button, press "+" "—" to select the one you want.

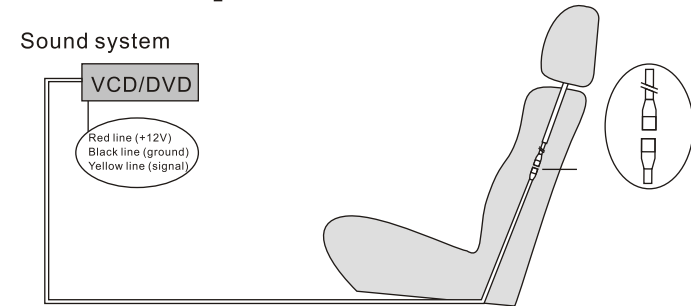


1. Take down the original pillow in the car.
2. Install the pillow of this monitor. Adjust the steel tube in or out (max. interval: 5cm) according to the interval between pillow holes so that the interval between steel tubes of the pillow monitor coincides with that between steel tubes of the original pillow.
3. The circuit connection of the pillow monitor is very simple. As shown in Fig. connect the +12V power of the sound system (red line to +, black line to ground), and then connect the video signals.
4. After the pillow monitor is connected properly, press the Power switch and the screen lights up; press Menu, adjust Analog Plus or Analog Minus to the desired mode, or use the remote control if any.



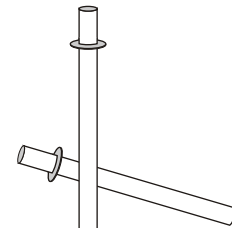
1. Tubes could be adjusted from left and right.
2. Tubes could be adjusted from front and back.

Install the pillow

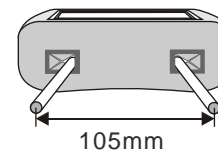


The circuit connection of the pillow monitor is very simple. As shown in Fig. connect the +12V power of the sound system (red line to +, black line to ground), and then connect the video signals. Connect the video signals, hide the connector in the base

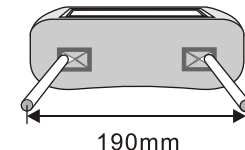
How to use the accessory tubes



As pillow holes are of different sizes, this product is provided with two tubes 12mm in diameter. When the pillow hole is large, fit this fitting to meet different needs.



Min. Interval



Max. Interval