

Get a Custom Fit with the U-Fit System

Congratulations! Your helmet was designed with the U-Fit System, offering 12 custom comfort settings. Follow the instructions below to adjust the ride and balance of your helmet.

1. Try on your helmet and check the initial balance, fit and comfort by rotating your head.
2. Remove the Ear Neck Protector to better see how to adjust the back of the helmet.
3. Pop the dark colored "U Channel" (Figure 1) away from the black inner liner. There is one "U Channel" in the front of the helmet and one in the back of the helmet.
4. You can tailor the fit by adjusting the tabs, which control ride height, and posts, which control forward / backward / level balance.
5. Adjust the ride of your helmet. There are three tab positions on the "U Channel": A, B, and C. Each of the tab positions affects the location of the ratchet by approximately one inch. For the lowest "ride" on your head, position the tabs to "A". For a higher "ride", position the tabs to "B" or "C".
6. Adjust the balance of your helmet. There are two post positions, 1 and 2 on the "U Channel". Change the post position to adjust helmet balance.
7. Next, try the helmet back on your head to see if the adjustments to the back of the helmet were helpful. You may want to make another round of adjustments as described above to maximize the balance and fit. Typically firefighters don't need to adjust the front of the helmet. If however, the adjustments to the rear of the helmet don't meet your needs, you can work on the front of the helmet by first removing the browpad. As with the back of the helmet, you can adjust the height and post position on the U Channel piece. Keep in mind that the front of the helmet is a key interface to the SCBA, and most people prefer position C.
8. Lastly, when making your adjustments, re-install the Ear Neck Protector and Browpad, using your fingers to smooth the surfaces to avoid bunching.



To size the Sure-Lock® ratchet headband:

1. Turn the ratchet knob counterclockwise until headband is at largest size (Figure 3).
2. Place the helmet on your head and turn ratchet knob clockwise until headband is snug and comfortable.

To raise or lower faceshield:

1. Release tension knobs found on both sides of the helmet.
2. Tighten knobs once faceshield is in desired position.

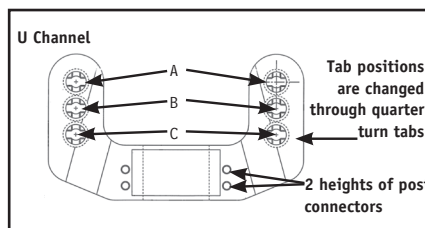


Figure 1

NOTES

- Performance properties of NFPA 1971, *Standard on Protective Ensembles for Structural Fire Fighting and Proximity Fire Fighting*, 2013 Edition, cannot be tested by users in the field.
- NFPA 1500, *Standard on Fire Department Occupational Safety and Health Program*, 2013 Edition, requires members who engage in or are exposed to the hazards of structural firefighting shall be provided with and shall use, a protective ensemble that shall meet the applicable requirements of NFPA 1971, 2013 Edition.
- The protective ensemble must be used by members only under direct supervision of their fire department or employer in a manner consistent with OSHA 29 CFR 1910.132 General Requirements of Subpart I, Personal Protective Equipment.
- For information on NFPA 1851, *Standard on Selection, Care and Maintenance of Protective Ensembles for Structural Fire Fighting and Proximity Fire Fighting*, 2014 Edition, and basic cleaning and inspection guidelines, visit www.bullard.com/trainonline.

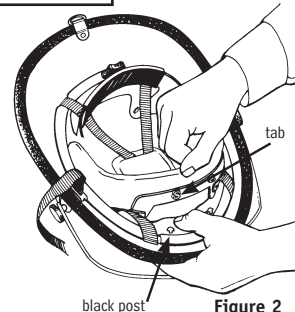


Figure 2

WARNING

Read all instructions and warnings before wearing this helmet.

Only the end user may separate this manual from the element. Manual must be removed prior to putting the helmet into service.

After removal from the wearer, the helmet should be inspected for damage and soiling after each use. The helmet should be adjusted by means of the adjustment points provided to permit a proper fit that does not interfere with the SCBA while in use. These adjustments should be done prior to actual structural fire fighting activities. Helmets damaged or deteriorated beyond economical repair should be removed from service.

Failure to follow these instructions could cause death or serious injury.

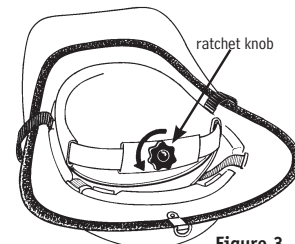


Figure 3

Instructions for Installing Aluminized Helmet Cover and Shroud

Aluminized Helmet Cover Installation

- Insert D-ring on helmet shell through slot in helmet cover.
- Beginning at rear D-ring, pull cover over helmet shell and over the outside edge of the helmet shell.
- Secure snap tabs around faceshield mounting brackets.
- Pivot faceshield to ensure no snagging of the helmet cover.

Aluminized Shroud Installation

- Begin at rear of the helmet and snap shroud to the helmet cover.
- Make certain that chinstrap is hanging inside the shroud after snapping to helmet cover.

WARNING

Read all instructions and warnings before wearing this helmet.

Performance properties of NFPA 1971 - 2013 cannot be tested by users in the field.

After removal from the wearer, the helmet should be inspected for damage and soiling after each use.

The helmet should be adjusted by means of the adjustment points provided to permit a proper fit that does not interfere with the SCBA while in use. These adjustments should be done prior to actual fire fighting activities.

Helmets damaged or deteriorated beyond economical repair should be removed from service.

Failure to follow these instructions could result in death or serious injury.

Pre-Use Information

Marking Recommendation and Restrictions:

Use only accessory equipment of the type included in the original helmet or approved by Bullard. Using unauthorized accessories may dramatically change the performance of the helmet.

All helmet markings (e.g. front identification shields, title tapes, decals, retro-reflective trim, etc.) must either be supplied by a Bullard authorized fire service distributor or authorized for use in writing by Bullard.

All helmet accessories (e.g. flashlight brackets, communications head sets, etc.) must be either supplied by a Bullard authorized fire service distributor or authorized for use in writing by Bullard.

Cleaning

Remove shroud and helmet cover, headband, and crown straps. Clean inner and outer shells with mild soap or detergent. Wash the ear/neck protector, headband, brow pad, crown pad, and crown straps in warm, soapy water and air dry at room temperature. Clean faceshields with mild detergent, rinse thoroughly with clean water, and dry with a soft cloth.

Users should not wear helmets that are not thoroughly cleaned and dried.

Contamination and Decontamination:

Special precautions must be taken if your protective helmet becomes contaminated with chemical or biological hazardous materials. The guidance for these precautions should be coordinated with the appropriate (local, state, and federal) authorities having jurisdiction for hazardous materials (HAZMAT).

Contaminated helmet ensembles should be isolated, contaminate(s) identified, and bodily contact should be avoided. Avoid spreading the contamination to interior spaces of buildings or vehicles, any living quarters, or personal belongings. If possible, seal the contaminated ensemble in a leak proof, sealable, air tight container. Disposal should be done in adherence to local, state, and federal laws. If the helmet is to be reused, it MUST be decontaminated before reuse. Decontamination should be performed using procedures established by decontamination professionals that will remove contaminate(s) while minimizing damage or compromise to the helmet. Failure to do so could result in increased risk of injury, illness, disease, or death.

CAUTION

Users should not wear helmets that are not thoroughly cleaned and dried. Do not use solvents or paint thinners on Bullard helmets, as they could permanently mar surfaces or degrade the protective properties of helmet components. Failure to follow these instructions could result in damage to the helmet.



Bullard Fire Helmet Warranty

Bullard offers a best in class warranty. Bullard warrants to the original purchaser that the firefighter helmet and non-electronic components are free of defects in materials and workmanship under normal use and service for a period of five (5) years from the date of manufacture on the helmet shell and lifetime (as defined in NFPA 1851: 10 years) warranty on the non-electronic components. The Bullard obligation under this warranty is limited to repairing or replacing articles that are returned within the warranty period, shown to be defective after inspection by Bullard, and subject to the following limitations:

Helmet must be returned to Bullard with shipping charges prepaid

Helmet must not be altered from its original factory configuration

Helmet must not have been abused, neglected or damaged in transport

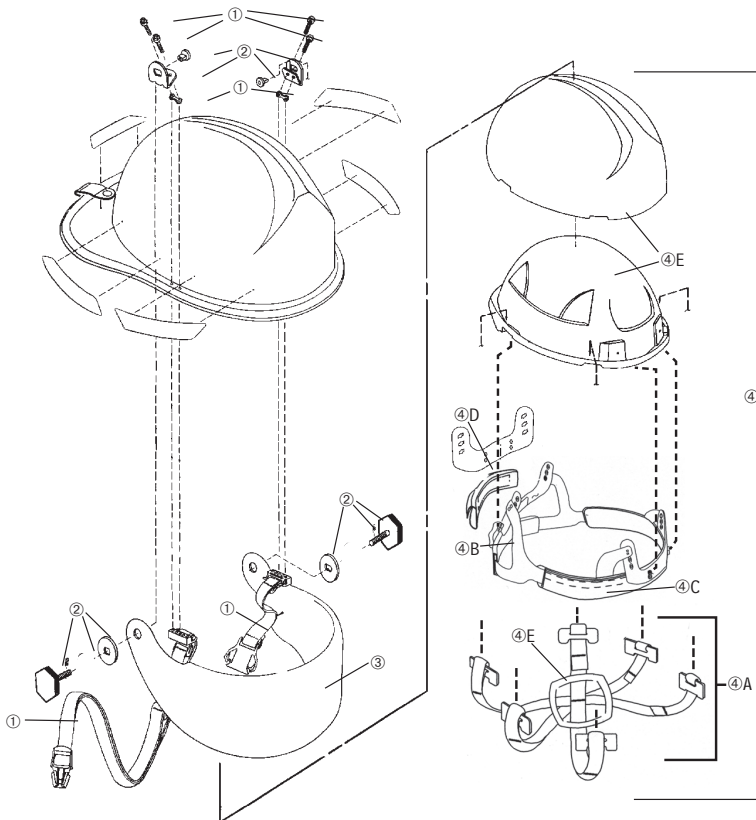
In no event shall Bullard be responsible for consequential damages incurred by

the user or a third party, whether those damages include loss of use or other indirect, incidental, or consequential damages, special costs or expenses. Bullard offers no warranty on components or accessories NOT manufactured or supplied by Bullard.

ANY IMPLIED WARRANTIES, INCLUDING WARRANTIES OF MERCHANTABILITY AND FITNESS FOR A PARTICULAR PURPOSE, ARE LIMITED IN DURATION TO FIVE (5) YEARS ON THE HELMET SHELL AND LIFETIME (NFPA 1851: 10 YEARS) ON THE NON-ELECTRONIC COMPONENTS FROM THE DATE OF MANUFACTURE OF THIS PRODUCT.

RETURN AUTHORIZATIONS: Contact Customer Service to obtain written permission to return any product. Material returned for credit will be subject to factory inspection. Current products or products under warranty will be subject to a rehandling charge less original freight charge. Obsolete or special order products cannot be returned without written permission.

Replacement Parts for AX Series Helmets



CATALOG NUMBER	DESCRIPTION
① R144	Nomex® chin strap with quick-release buckle and postman's slide fastener
② R151	Faceshield mounting hardware kit
③ R340	6" gold-coated faceshield
④ R921	Replacement inner crown system for FX and PX. Includes inner shell, Sure-Lock® ratchet headband, brow pad, crown pad, urethane impact liner, 6-point nylon crown strap assembly, and velcro strips
④A R112	Nylon crown straps with crown pad
④A R113	Nomex crown straps with crown pad
④B R637	Sure-Lock ratchet headband
④C R635	Brow pad
④D R628	Ratchet height adjuster
④E R636	Crown pad
Additional Accessories (not pictured)	
R260	Aluminized Helmet cover
R757	Aluminized shroud
Also Available	
R758	Aluminized shroud
R761	Aluminized air bottle cover
AX Series includes FX Thermoglas® helmet	

Colors
AX Series helmets are available in nine standard colors: white, red, black, yellow, blue, orange, lime-yellow, pink, and green.

WARNING

READ ALL INSTRUCTIONS AND WARNINGS BEFORE USING THIS FIREFIGHTER HELMET.

AX Series helmets are constructed with high quality materials and workmanship. They are engineered to provide limited protection against head injuries, when properly adjusted for fit and when worn by firefighters during normal fire fighting activities. They are not designed for direct contact with flames or molten metal, or for protection against hazardous chemicals, biological, or radiological agents. Contact of these fire helmets with live wires should be avoided. **NEVER ALTER OR MODIFY** the helmet's design or construction without explicit written instructions from Bullard. Store helmets in a cool, dry place away from direct sunlight. Inspect your helmet and suspension system regularly, regardless of how often it is used. If you notice any sign of wear, damage, abuse, or environmental degradation, replace the shell and/or suspension immediately. If the helmet has sustained a forcible blow (impact), it must be replaced, even if there is no visible damage.

THIS HELMET MUST BE PROPERLY ADJUSTED AND SECURED TO THE HEAD WITH ALL COMPONENTS IN PLACE, USED AS SPECIFIED IN MANUFACTURER'S INSTRUCTIONS.

Do not modify or replace any component of this helmet, including the shell, energy-absorbing system, retention system, fluorescent retroreflective markings, ear covers, or faceshield with components or accessories other than those certified for use with this product. Modification or replacement with other than Bullard parts voids compliance with NFPA 1971-2013.

NO PROTECTIVE HEADGEAR CAN PROTECT AGAINST ALL FORESEEABLE IMPACTS. For maximum protection under these standards, the helmet must be of good fit and all retention straps must be securely fastened. Use only with a Bullard suspension system. This helmet should be inspected by the user for visible damage prior to each use. Immediately replace shell or suspension at first sign of ear, damage, or degradation.

HELMETS CAN BE SERIOUSLY DAMAGED BY SOME COMMON SUBSTANCES, THOUGH SHOW NO DAMAGE TO THE NAKED EYE. CLEAN ONLY WITH MILD DETERGENT AND WATER. DO NOT USE OR EXPOSE HELMET TO PAINTS, SOLVENTS, CHEMICALS, ADHESIVES, GASOLINE, OR LIKE SUBSTANCES. STORE IN A DRY, COOL PLACE, AWAY FROM DIRECT SUNLIGHT. Failure to follow these instructions and avoid potentially hazardous situations could result in death or serious injury.

Helmet model AX meets or exceeds all performance specifications under NFPA 1971 - 2013.

Americas:
Bullard
1898 Safety Way
Cynthiana, KY 41031-9303 • USA
Toll-free within USA: 877-BULLARD (285-5273)
Tel: +1-859-234-6616
Fax: +1-859-234-8987

Europe:
Bullard GmbH
Lilienthalstrasse 12
53424 Remagen • Germany
Tel: +49-2642 999980
Fax: +49-2642 9999829

Asia-Pacific:
Bullard Asia Pacific Pte. Ltd.
LHK Building
701, Sims Drive, #04-03
Singapore 387383
Tel: +65-6745-0556
Fax: +65-6745-5176



CERT. MOD.

©2015 Bullard. All rights reserved.
Bullard, Thermoglas, Sure-Lock, and Hard Boiled are registered trademarks of Bullard.
Nomex and Kevlar are registered trademarks of E.I. du Pont de Nemours & Company. PBI is a registered trademark of Celanese Corporation.
U.S. Patent No. 5,150,479.

www.bullard.com

6024405660F (0715)