

**For Your Records and
Warranty Assistance**

For reference, also attach your receipt or a copy
of your receipt to the manual.

Model Name

Model No.

Date Purchased

Where Purchased

Type 3 Models

Owner's Guide and Installation Manual

English

Español

Form# 45062-01
20090701
©2009 Hunter Fan Co.

SINCE 1886
Hunter[®]

Welcome

Your new Hunter® ceiling fan is an addition to your home or office that will provide comfort and performance for many years. This installation and operation manual gives you complete instructions for installing and operating your fan.

We are proud of our work. We appreciate the opportunity to supply you with the best ceiling fan available anywhere in the world.

Before installing your fan, for your records and warranty assistance, record information from the carton and Hunter nameplate label (located on the top of the fan motor housing).

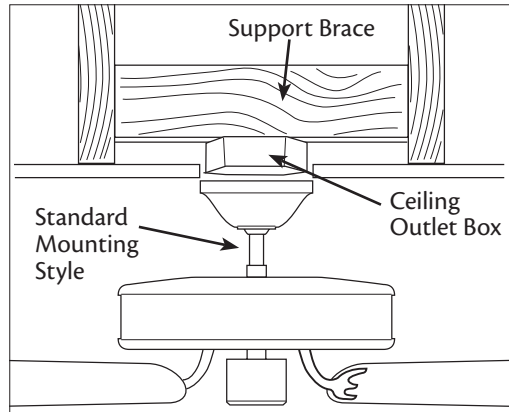
Table Of Contents

1 • Getting Ready	4
2 • Installing the Hanger Bracket	5
3 • Assembling and Hanging the Fan ...	6
4 • Setting the Remote Transmitter and Receiver.....	7
5 • Wiring the Fan	8
6 • Installing the Canopy and Canopy Trim Ring	9
7 • Completing Your Installation With a Light Fixture.....	10
8 • Operating the Remote Control and Mounting the Holder.....	12
9 • Operating and Cleaning Your Ceiling Fan	13
10 • Troubleshooting	14

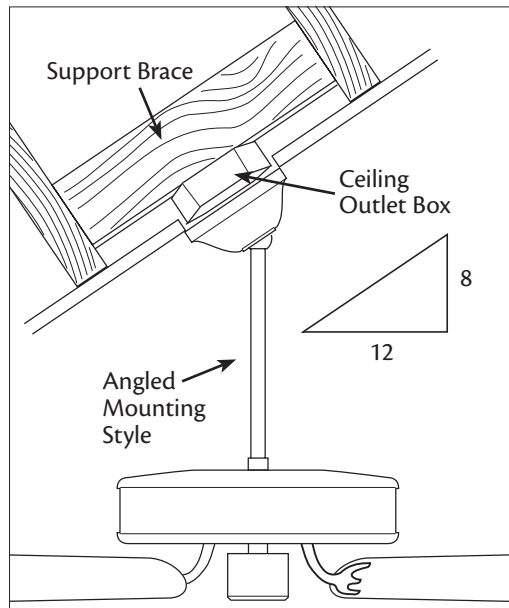
Cautions and Warnings

- **READ THIS ENTIRE MANUAL CAREFULLY BEFORE BEGINNING INSTALLATION. SAVE THESE INSTRUCTIONS.**
- Use only Hunter replacement parts.
- To reduce the risk of personal injury, attach the fan directly to the support structure of the building according to these instructions, and use only the hardware supplied.
- To avoid possible electrical shock, before installing your fan, disconnect the power by turning off the circuit breakers to the outlet box and associated wall switch location. If you cannot lock the circuit breakers in the off position, securely fasten a prominent warning device, such as a tag, to the service panel.
- All wiring must be in accordance with national and local electrical codes and ANSI/NFPA 70. If you are unfamiliar with wiring, use a qualified electrician.
- To reduce the risk of personal injury, do not bend the blade attachment system when installing, balancing, or cleaning the fan. Never insert foreign objects between rotating fan blades.
- To reduce the risk of fire, electrical shock, or motor damage, do not use a solid-state speed control with this fan. Use only Hunter speed controls.

Installer's Choice and Optional Accessories



Standard Mounting hangs from the ceiling by a downrod (included).



Angled Mounting recommended for a vaulted or angled ceiling

Understanding Mounting and Installer's Choice®

Hunter's patented 2-position mounting system provides you maximum installation flexibility and ease. You can install your Hunter fan in one of two ways, depending on ceiling height and your preference: Standard or Angled mounting. The steps in this manual include instructions for both Installer's Choice mounting methods.

Considering Optional Accessories

Consider using Hunter's optional accessories, including a wall-mounted or remote speed control. To install and use the accessories, follow the instructions included with each product. For quiet and optimum performance of your Hunter fan, use only Hunter speed controls.

For ceilings higher than 8 feet, you can purchase Hunter extension downrods. All Hunter fans use sturdy 3/4" diameter pipe to assure stability and wobble-free performance.

▲ CAUTION: To reduce the risk of personal injury, attach the fan directly to the support structure of the building according to these instructions, and use only the hardware supplied.

1 • Getting Ready

To install a ceiling fan, be sure you can do the following:

- Locate the ceiling joist or other suitable support in ceiling.
- Drill holes for and install wood screws.
- Identify and connect electrical wires.
- Lift 40 pounds.

If you need help installing the fan, your Hunter fan dealer can direct you to a licensed installer or electrician.

Gathering the Tools

You will need the following tools for installing the fan:

- Electric drill with 9/64" bit
- Standard screwdriver (magnetic tip recommended)
- Phillips-head screwdriver (magnetic tip recommended)
- Wrench or pliers
- Ladder (height dependent upon installation site)

Checking Your Fan Parts

Carefully unpack your fan to avoid damage to the fan parts. Refer to the included Parts Guide. Check for any shipping damage to the motor or fan blades. If any parts are missing or damaged, contact your Hunter dealer or call Hunter Technical Support Department at 888-830-1326. (In Canada, call 866-268-1936).

Preparing the Fan Site

Before you begin installing the fan, follow all the instructions in the pullout sheet called "Preparing the Fan Site." Proper ceiling fan location and attachment to the building structure are essential for safety, reliable operation, maximum efficiency, and energy savings.

2 • Installing the Hanger Bracket

2-1. Drill two pilot holes into the wood support structure through the outermost holes in the outlet box. The pilot holes should be $9/64$ " in diameter.

Note: Your fan comes with four pre-installed neoprene noise isolators.

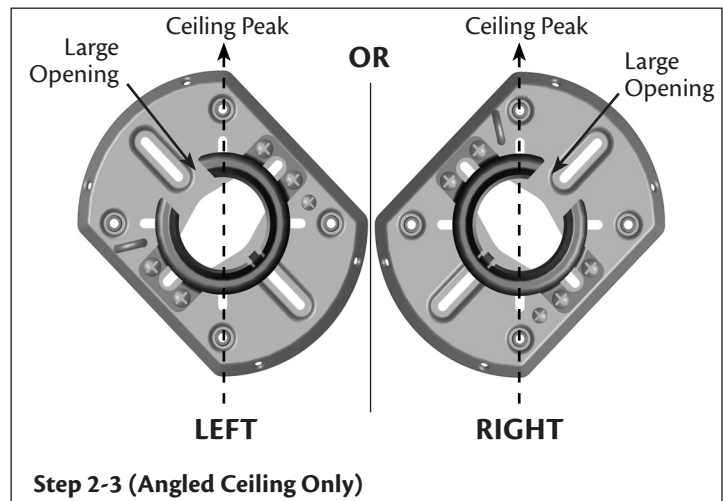
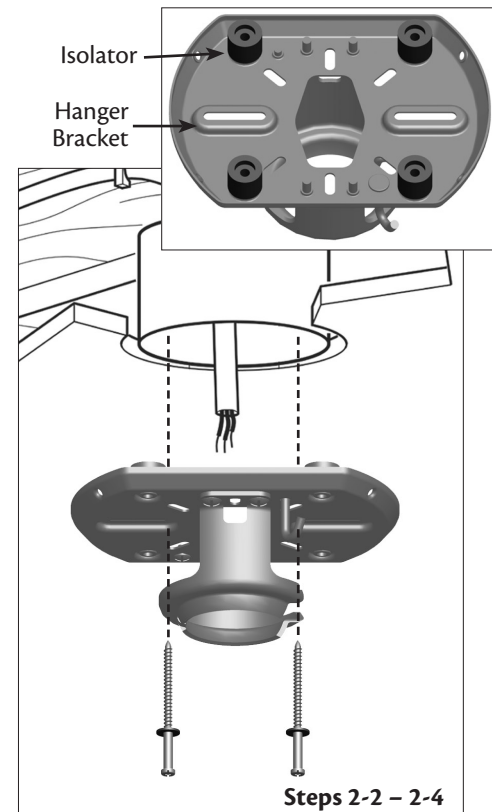
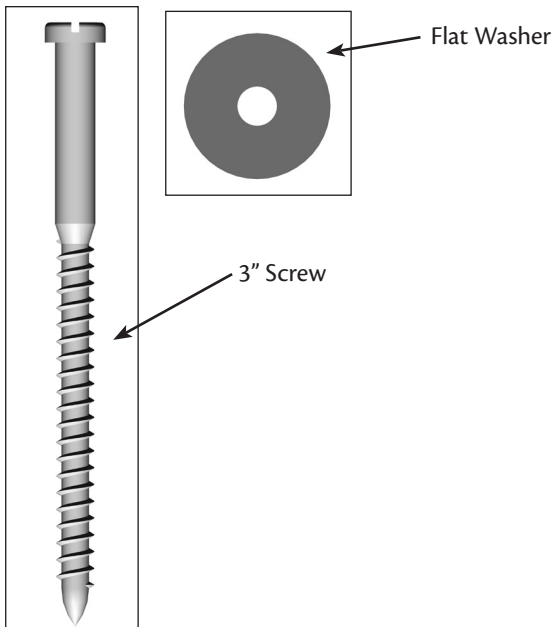
2-2. Thread the lead wires from the outlet box down through the hole in the middle of the hanger bracket.

2-3. Align the slotted holes in the hanger bracket with the pilot holes you drilled in the wood support structure. For proper alignment use slotted holes directly across from each other. If you are installing the fan on an **ANGLED** ceiling, be sure to orient the hanger bracket as shown in Illustration 2-3 (left or right view).

Note: The isolators should be flush against the ceiling.

2-4. Place a flat washer on each of the two 3" screws and pass the screws through the slotted holes in the hanger bracket into the pilot holes you drilled.

Tighten the screws into the $9/64$ " pilot holes; do not use lubricants on the screws. Do not over tighten.



3 • Assembling and Hanging the Fan

You can assemble your fan for **standard** or **angled** mounting as shown in steps 3-1 – 3-3.

3-1. To assemble fan to hang down from a flat or angled ceiling, insert the downrod through the canopy, adapter cover grommet, adapter cover, and canopy trim ring. (The adapter cover and adapter cover grommet may already be attached to make one piece.)

3-2. Feed the wires from the fan through the downrod.

Note: Make sure all the wires are on the same side of the metal dowel pin inside the downrod.

3-3. Loosen the square head setscrew on the adapter to install the pipe and ball assembly. **Note:** When the pipe and ball assembly is fully installed, 2-3 threads on the pipe will still be visible; this is normal. Securely retighten the setscrew with a wrench or pliers.

▲ CAUTION: The adapter has a special coating on the threads. Do not remove this coating; the coating prevents the downrod from unscrewing. Once assembled, do not remove the downrod.

▲ WARNING: Do not carry or lift fan by canopy.

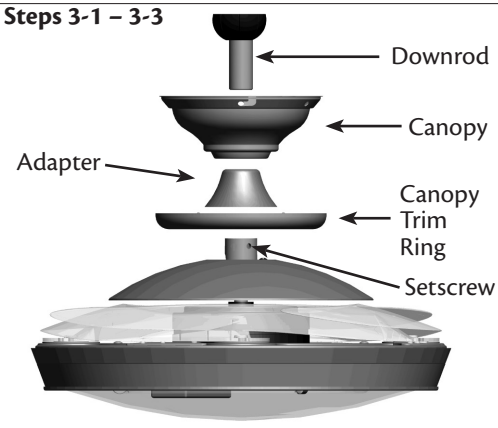
3-4. Raise the fan and place the ball into the hanger bracket.

3-5. Align the notch on the ball with the indent in the hanger bracket. (Rotate the fan until you hear the notch pop into place.)

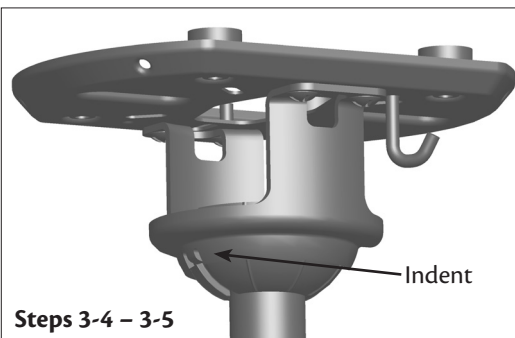
Go to **4 • Setting the Remote Transmitter and Receiver.**

▲ WARNING: Fan may fall if not assembled as directed in these installation instructions.

Steps 3-1 – 3-3



Steps 3-4 – 3-5



4 • Setting the Remote Transmitter and Receiver

Setting DIP switches

When two or more fans are located near each other, you may desire to have the receiver/transmitter for each fan set to a different code, so that the operation of one fan does not affect the operation of the other fans.

The DIP switches for the receiver are located on the flat surface of the receiver. The DIP switches for the transmitter are in the battery compartment.

- 4-1. **IMPORTANT!** Before you change the DIP switch settings, make sure the battery is not connected to the transmitter.

Change the position of the DIP switches in the remote transmitter and the receiver. Make sure that the DIP switches match in the remote receiver and transmitter. If they don't match, the transmitter will not function.

- 4-2. There is a toggle switch beside the DIP switches on the transmitter. Move the toggle switch toward the side that reads "CFL" if you are going to operate the fan with CFL bulbs. Move the switch to the "INC" side if you are going to use incandescent bulbs.

- 4-3. Install the included 9-volt battery into the transmitter.

CAUTION: The remote control device complies with part 15 of the FCC rules. Changes or modifications not expressly approved by Hunter Fan Company could void your authority to operate this equipment.

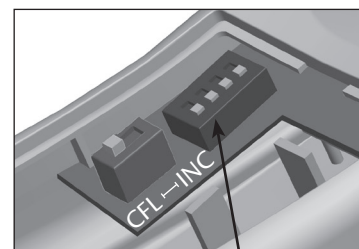
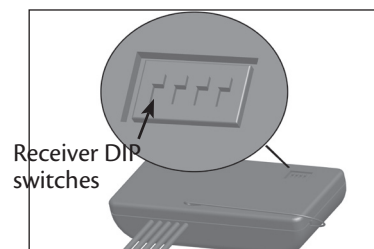
Operation is subject to the following two conditions:

1. This device may not cause harmful interference.
2. This device must accept any interference received, including interference that may cause undesired operation.

WARNING: Use only the Hunter Fan speed control supplied with this fan.

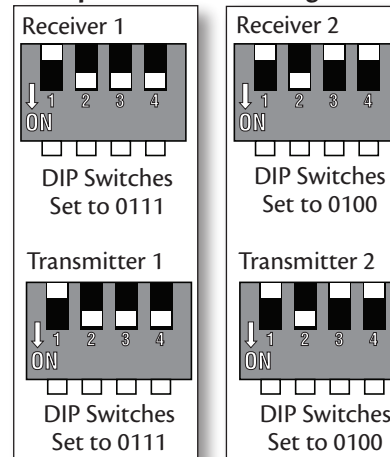
- 4-4. Raise the fan and align the slots in the canopy with the hooks on the ceiling plate.

Note: To hang the fan, you must tilt the canopy to an almost vertical position so that the canopy slots sit on the ceiling plate hooks.

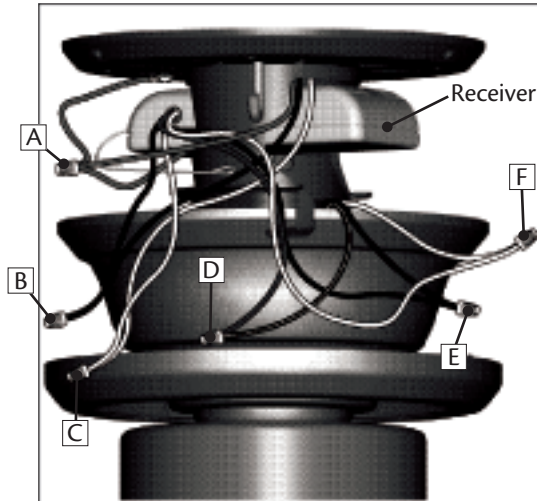


Transmitter DIP switches

Example DIP Switch Settings



5 • Wiring the Fan



Step 5-3

A • Ground/Green

Step 5-4

B • Ceiling Black

• Receiver Black: "LIVE IN"

C • Ceiling White

• Receiver White: "NEUTRAL IN"

Step 5-5

D • Fan Black with a white stripe

• Receiver Red: "LIGHT OUT"

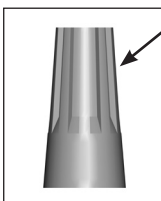
E • Fan Black

• Receiver Black: "FAN OUT"

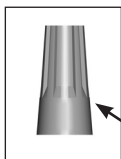
F • Receiver White: "COMMON OUT"

• Fan White

Steps 5-3 – 5-5



Large Wire Connector



Small Wire Connector

All wiring must be in accordance with national and local electrical codes and ANSI/NFPA 70. If you are unfamiliar with wiring, use a qualified electrician.

- 5-1. Before attempting installation, make sure the power is still off.
- 5-2. To connect the wires, hold the bare metal leads together and place a wire connector over them, then twist clockwise until tight. For all these connections use the wire connectors provided.

▲ CAUTION: Be sure no bare wire or wire strands are visible after making connections.

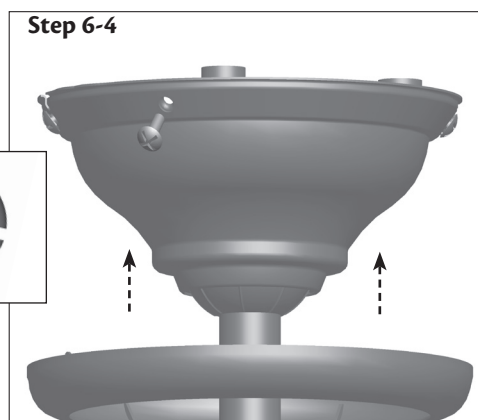
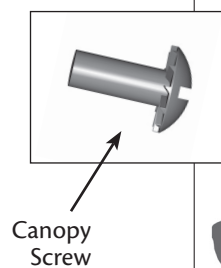
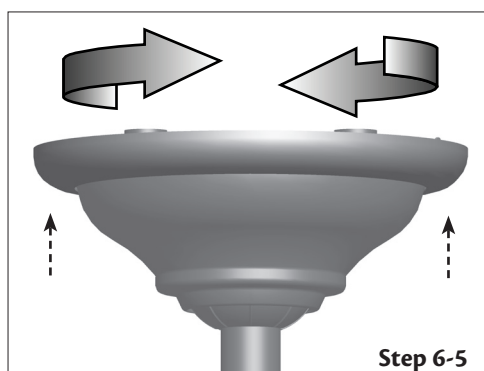
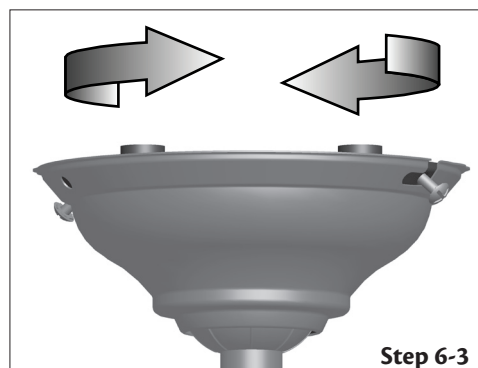
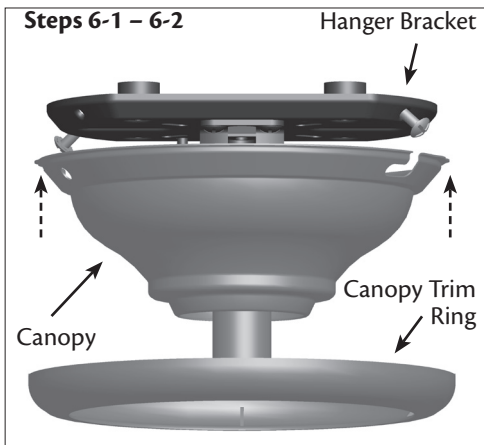
- 5-3. Using a large wire connector, connect the ground wire from the ceiling (grounding) to the green wire (grounding) from the ceiling plate and the green ground wire from the downrod.
- 5-4. Using the large wire connectors, connect the white wire (grounded) and the black wire (ungrounded) from the ceiling as follows:
 - The white (common) power wire (grounded) from the ceiling to the white wire (grounded) from the receiver (marked on red tag "NEUTRAL IN")
 - The black power wire (ungrounded) from the ceiling to the black wire (ungrounded) from the receiver (marked on red tag "LIVE IN")
- 5-5. Using the small wire connectors, connect the wires from the fan as follows:
 - The black wire with a white stripe (ungrounded) from the fan to the red wire (ungrounded) from the receiver (marked on white tag "LIGHT OUT")
 - The black wire (ungrounded) from the fan to the black wire (ungrounded) from the receiver (marked on white tag "FAN OUT")
 - The white wire (grounded) from the fan to the white wire (grounded) from the receiver (marked on white tag "COMMON OUT")
- 5-6. Turn the splices upward and push them carefully back through the ceiling plate into the outlet box.
- 5-7. Spread the wires apart, with the grounded wires on one side of the outlet box and the ungrounded wires on the other side of the outlet box.

6 • Installing the Canopy and Canopy Trim Ring

- 6-1. Partially install two canopy screws (about 2 full turns) in the hanger bracket.
- 6-2. Raise the canopy over the hanger bracket. Align partially installed screws with key slots in canopy.
- 6-3. Twist canopy clockwise to secure.
- 6-4. Install third & fourth canopy screw in round hole on canopy. Securely tighten all four screws.
- 6-5. Using both hands, push the canopy trim ring up to the top of the canopy.
- 6-6. Twist canopy trim ring clockwise to secure the canopy.

Should you need to remove the canopy trim ring, follow these steps:

1. Twist canopy trim ring counter clockwise until it releases from canopy.



7 • Completing Your Installation With a Light Fixture

Your Hunter fan comes with an integrated light fixture assembly.

▲ WARNING: Use only the light fixture supplied with this fan model.

7-1. To attach the light kit top housing, partially install two housing assembly screws into the light kit mounting plate.

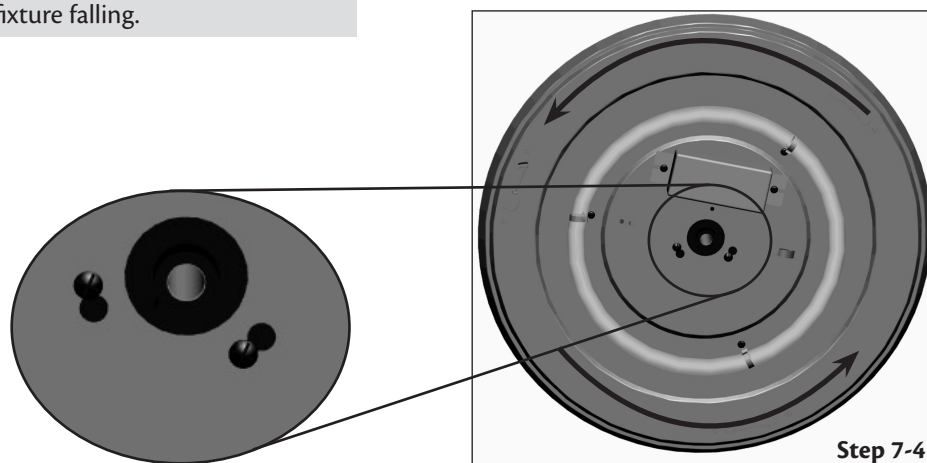
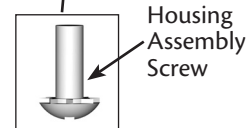
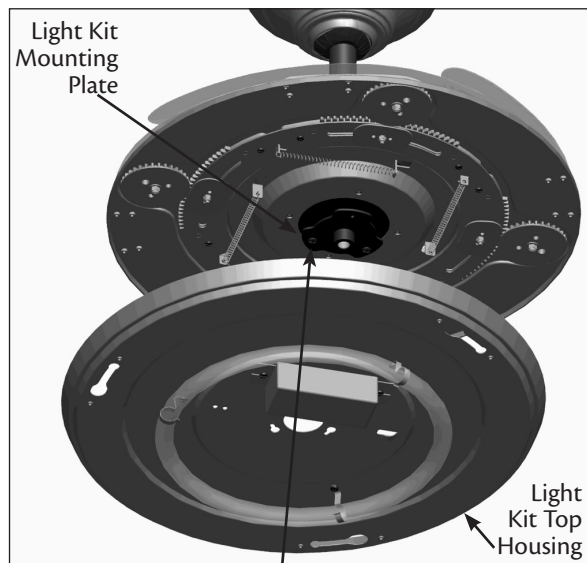
7-2. Connect the upper plug connector from the motor to the lower plug connector in the light kit.

Note: Both plug connectors are polarized and will only fit together one way. Make sure the connectors are properly aligned before connecting them. Incorrect connection could cause improper operation and damage to the product.

7-3. Align the keyhole slots in the housing with the housing assembly screws.

7-4. Turn the light kit top housing counterclockwise until the housing assembly screws are firmly situated in the narrow ends of the keyhole slots. Install the remaining screw into the housing. Tighten all three screws firmly.

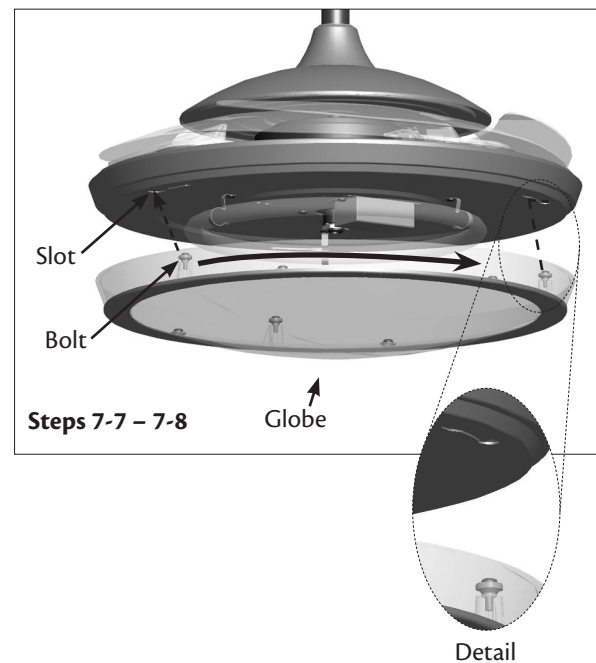
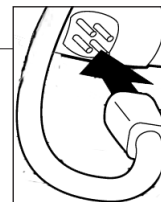
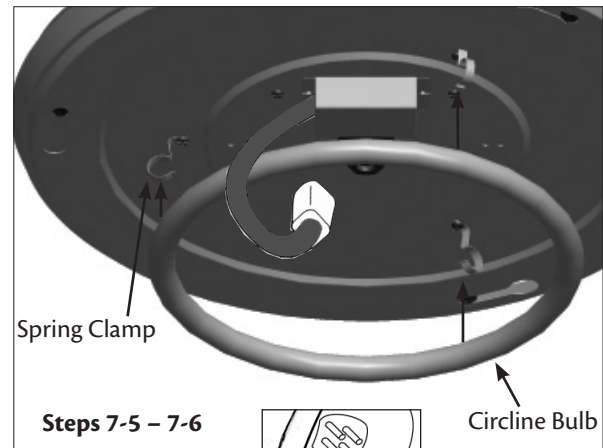
▲ CAUTION: Make sure the light kit top housing is securely attached to the light kit mounting plate. Failure to properly attach and tighten all three assembly screws could result in the light kit top housing and light fixture falling.



7 • Completing Your Installation With a Light Fixture (Continued)

Installing the Bowl

- 7-5. Install 1 Max 40 Watt Circline bulb (included) into spring clamps.
- 7-6. Connect the circline bulb.
- 7-7. Lift the globe up to the light kit top housing. Align the three bolts on the globe with the three slots in the light kit top housing.
- 7-8. Rotate the globe clockwise until tight.



8 • Operating the Remote Control and Mounting the Holder

- 8-1. The remote has individual buttons for setting fan speed and light intensity. Refer to the figure on the right.

Note: For best operation, start the fan by pressing high, then select your desired speed.

- 8-2. The light button turns the light. Push the light button again to turn off the light.
- 8-3. When necessary, replace the battery with a 9-volt alkaline battery.
- 8-4. You can mount the remote holder to any toggle switch plate with the screws already in the switch plate. Or, you can simply mount the remote holder on the wall.



9 • Operating and Cleaning Your Ceiling Fan

- 9-1. Turn on electrical power to the fan.
- 9-2. The remote controls power to the fan. The fan has four settings in sequence: High, Medium, Low and Off.
- 9-3. For cleaning finishes, use a soft brush or lint-free cloth to prevent scratching. A vacuum cleaner brush nozzle can remove heavier dust. Remove surface smudges or accumulated dirt and dust using a mild detergent and a slightly dampened cloth. You may use an artistic agent, but never abrasive cleaning agents as they will damage the finish.
- 9-4. Clean wood finish blades with a furniture polishing cloth. Occasionally, apply a light coat of furniture polish for added protection and beauty. Clean painted and high-gloss blades in the same manner as the fan finish.

10 • Troubleshooting

Problem: Nothing happens; fan does not move.

1. Turn power on, replace fuse, or reset breaker.
2. Loosen canopy, check all connections according to the wiring the fan section.

Problem: Noisy operation.

1. Check to see if the blade is cracked. If so, replace all the blades.

Problem: Excessive wobbling.

1. Turn power off, support fan very carefully, and check that the hanger ball is properly seated.

Problem: Lights dim when turned on or do not turn on

1. Check to make sure the wattage and type of light bulbs installed match the specifications on the light socket.

If you need parts or service assistance, please call 888-830-1326 (In Canada, call 866-268-1936) or visit us at our Web site at <http://www.hunterfan.com>.

Hunter Fan Company
7130 Goodlett Farms Pkwy. #400
Memphis, Tennessee 38016