



installation and operation manual for Hunter Ceiling Fans

**For Your Records and Warranty
Assistance**

Model Name: _____

Catalog/Model No.: _____

Serial No.: _____

Date Purchased: _____

Where Purchased: _____

For reference also attach your receipt or a
copy of your receipt to the manual.

TYPE 2 Models

Welcome

Your new Hunter® ceiling fan is an addition to your home or office that will provide comfort and performance for many years. This installation and operation manual gives you complete instructions for installing and operating your fan.

We are proud of our work. We appreciate the opportunity to supply you with the best ceiling fan available anywhere in the world.

Before installing your fan, for your records and warranty assistance, record information from the carton and Hunter nameplate label (located on the top of the fan motor housing).

Table Of Contents

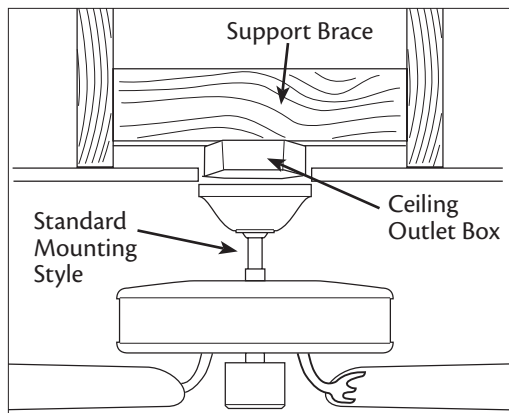
1 • Getting Ready.....	4
2 • Installing the Ceiling Plate.....	5
3 • Assembling and Hanging the Fan ...	6
4 • Wiring the Fan.....	8
5 • Installing the Canopy and Canopy Trim Ring.....	9
6 • Assembling the Blades.....	10
7 • Activating Perfect Balance™.....	11
8 • Completing Your Installation With or Without a Bowl Light Fixture.....	12
9 • Operating and Cleaning Your Ceiling Fan.....	16
10 • Troubleshooting.....	17

Cautions and Warnings

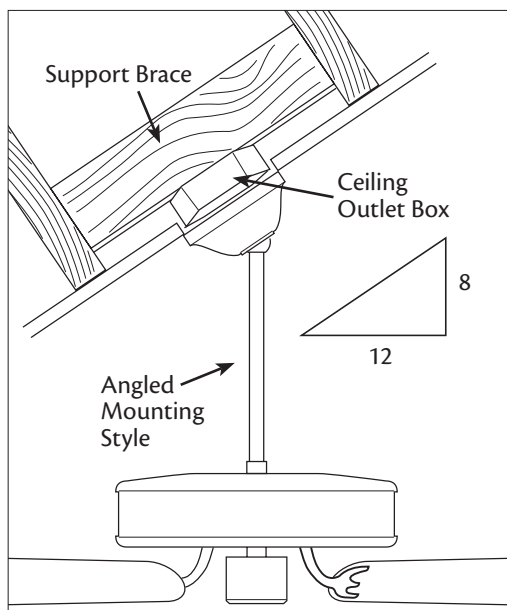
• READ THIS ENTIRE MANUAL CAREFULLY BEFORE BEGINNING INSTALLATION. SAVE THESE INSTRUCTIONS.

- Use only Hunter replacement parts.
- To reduce the risk of personal injury, attach the fan directly to the support structure of the building according to these instructions, and use only the hardware supplied.
- To avoid possible electrical shock, before installing your fan, disconnect the power by turning off the circuit breakers to the outlet box and associated wall switch location. If you cannot lock the circuit breakers in the off position, securely fasten a prominent warning device, such as a tag, to the service panel.
- All wiring must be in accordance with national and local electrical codes and ANSI/NFPA 70. If you are unfamiliar with wiring, use a qualified electrician.
- To reduce the risk of personal injury, do not bend the blade attachment system when installing, balancing, or cleaning the fan. Never insert foreign objects between rotating fan blades.
- To reduce the risk of fire, electrical shock, or motor damage, do not use a solid-state speed control with this fan. Use only Hunter speed controls.

Installer's Choice and Optional Accessories



Standard Mounting hangs from the ceiling by a downrod (included).



Angled Mounting recommended for a vaulted or angled ceiling

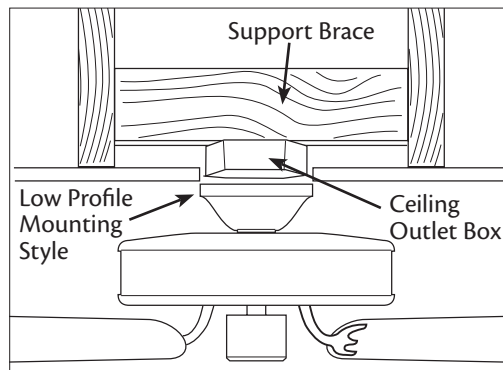
Understanding Mounting and Installer's Choice®

Hunter's patented 3-position mounting system provides you maximum installation flexibility and ease. You can install your Hunter fan in one of three ways, depending on ceiling height and your preference: Low Profile, Standard, or Angled mounting. The steps in this manual include instructions for all three Installer's Choice mounting methods.

Considering Optional Accessories

Consider using Hunter's optional accessories, including a wall-mounted or remote speed control. To install and use the accessories, follow the instructions included with each product. For quiet and optimum performance of your Hunter fan, use only Hunter speed controls.

For ceilings higher than 8 feet, you can purchase Hunter extension downrods. All Hunter fans use sturdy 3/4" diameter pipe to assure stability and wobble-free performance.



Low Profile Mounting fits close to the ceiling, recommended for ceilings less than 8 feet high

▲ CAUTION: To reduce the risk of personal injury, attach the fan directly to the support structure of the building according to these instructions, and use only the hardware supplied.

1 • Getting Ready

To install a ceiling fan, be sure you can do the following:

- Locate the ceiling joist or other suitable support in ceiling.
- Drill holes for and install wood screws.
- Identify and connect electrical wires.
- Lift 40 pounds.

If you need help installing the fan, your Hunter fan dealer can direct you to a licensed installer or electrician.

Gathering the Tools

You will need the following tools for installing the fan:

- Electric drill with 9/64" bit
- Standard screwdriver (magnetic tip recommended)
- Phillips-head screwdriver (magnetic tip recommended)
- Wrench or pliers
- Ladder (height dependent upon installation site)

Checking Your Fan Parts

Carefully unpack your fan to avoid damage to the fan parts. Refer to the included Parts Guide. Check for any shipping damage to the motor or fan blades. If any parts are missing or damaged, contact your Hunter dealer or call Hunter Technical Support Department at 888-830-1326.

Preparing the Fan Site

Before you begin installing the fan, follow all the instructions in the pullout sheet called "Preparing the Fan Site." Proper ceiling fan location and attachment to the building structure are essential for safety, reliable operation, maximum efficiency, and energy savings.

Installing Multiple Fans?

If you are installing more than one fan, keep the fan blades and blade irons (if applicable) in sets, as they were shipped.

2 • Installing the Ceiling Plate

▲ CAUTION: To avoid possible electrical shock, before installing your fan, disconnect the power by turning off the circuit breakers to the outlet box and associated wall switch location. If you cannot lock the circuit breakers in the off position, securely fasten a prominent warning device, such as a tag, to the service panel.

2-1. Drill two pilot holes into the wood support structure through the outermost holes in the outlet box. The pilot holes should be $9/64$ " in diameter.

2-2. Your fan comes with four noise isolators. Position the isolators between the ceiling plate and ceiling by inserting the raised areas on each isolator into the holes in the ceiling plate.

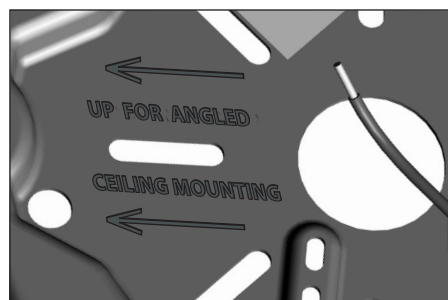
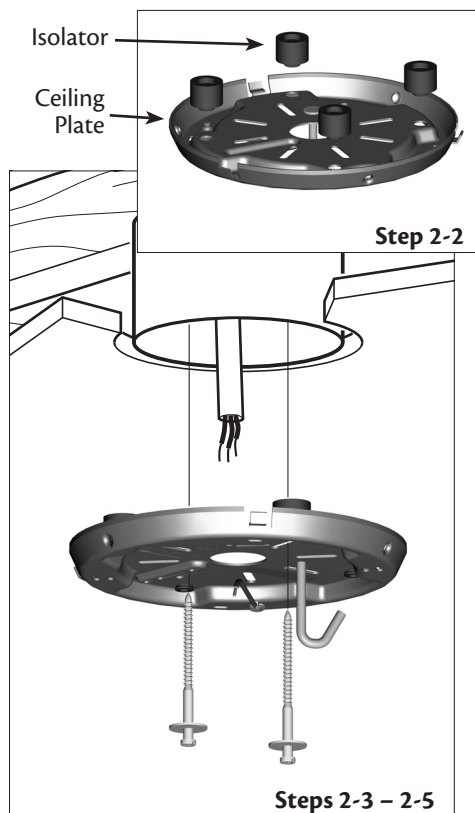
2-3. Thread the lead wires from the outlet box down through the hole in the middle of the ceiling plate.

2-4. Align the slotted holes in the ceiling plate with the pilot holes you drilled in the wood support structure. For proper alignment use slotted holes directly across from each other.

Note: The isolators must be flush against the ceiling. A loose ceiling plate will result in improper operation of the Perfect Balance™ system.

2-5. Place a flat washer on each of the two 3" wood screws and pass the screws through the slotted holes in the ceiling plate into the pilot holes you drilled.

Tighten the screws into the $9/64$ " pilot holes; do not use lubricants on the screws. Do not over tighten.



For Angled Ceilings: Be sure to orient the ceiling plate so that the arrows printed on the ceiling plate are pointing toward the ceiling peak.

3 • Assembling and Hanging the Fan

3-1. Unbundle the wires from the fan.

Note: Your Hunter fan comes with an optional downrod extension pipe. If you are hanging the fan on a ceiling higher than 10 feet tall and you would like to use the enclosed optional downrod, follow Steps 3-9 – 3-13 on the next page.

▲ WARNING: Fan may fall if not assembled as directed in these installation instructions.

For Standard or Angled mounting:

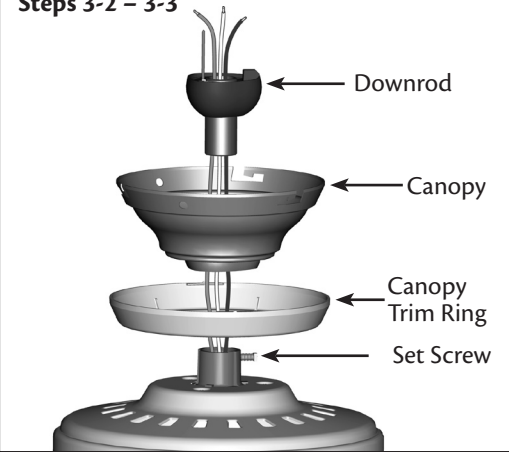
3-2. To assemble fan to hang down from a flat or angled ceiling, insert the downrod through the canopy and canopy trim ring. Feed the wires from the fan through the downrod.

3-3. Loosen the square head set screw on the adapter to install the pipe and ball assembly. **Note:** When the pipe and ball assembly is fully installed, 2-3 threads on the pipe will still be visible; this is normal. Securely retighten the set screw with a wrench or pliers.

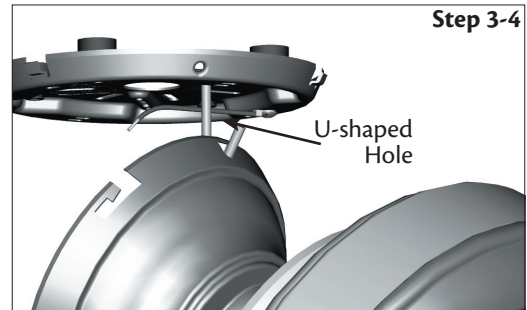
▲ CAUTION: The adapter has a special coating on the threads. Do not remove this coating; the coating prevents the downrod from unscrewing. Once assembled, do not remove the downrod.

3-4. Raise the fan and place the hook on the ceiling plate through the U-shaped hole in the rim.

Steps 3-2 – 3-3



Step 3-4



3 • Assembling and Hanging the Fan

For Low Profile mounting:

Note: For low profile mounting, the downrod is replaced with the low profile washer.

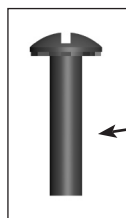
- 3-5. Remove the set screw from the adapter.
- 3-6. Place the low profile washer (lip up) into the canopy. Be sure the green ground wire is pointing up toward the ceiling.
- 3-7. Align the holes in the washer with the holes in the adapter. Assemble securely with three low profile screws.
- 3-8. Raise the fan and place the hook on the ceiling plate through the U-shaped hole in the rim.

Optional Downrod Instructions:

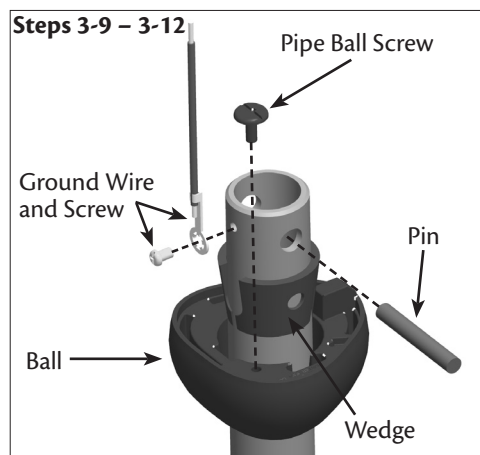
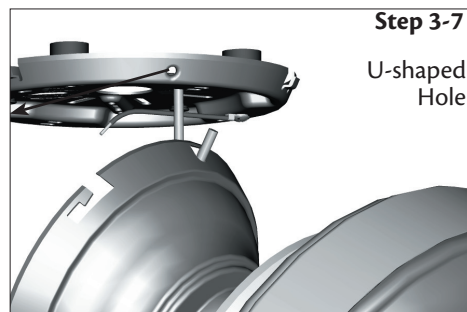
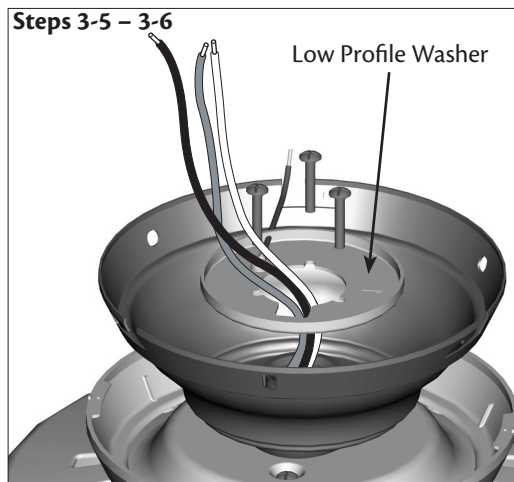
Your Hunter fan comes with an optional downrod extension pipe. If you would like to use the enclosed optional 6 inch downrod, follow the steps below.

Note: The Perfect Balance™ system is designed for downrods that are 6" and shorter. If you use a downrod longer than 6 inches, do not remove the red retaining screws.

- 3-9. Remove the pipe ball screw from the standard downrod, then slide the ball off the pipe.
- 3-10. Remove the pin from the pipe, then slide the wedge off the pipe.
- 3-11. Remove the screw and ground wire from the pipe.
- 3-12. Reassemble the ground wire, wedge, pin, ball, and pipe ball screw, in that order, onto the long downrod.
- 3-13. **Go back to Step 3-2.**



Low Profile Screw



4 • Wiring the Fan

All wiring must be in accordance with national and local electrical codes and ANSI/NFPA 70. If you are unfamiliar with wiring, use a qualified electrician.

Wall switches are not included. Select an acceptable general-use switch in accordance with national and local electrical codes.

- 4-1. Before attempting installation, make sure the power is still off.
- 4-2. To connect the wires, hold the bare metal leads together and place a wire connector over them, then twist clockwise until tight. For all these connections use the wire connectors provided.
- 4-3. Connect the bare or green ground wire (grounded) from the ceiling to the green ground wire (grounded) from the ceiling plate and the green ground wire from the fan.
- 4-4. Connect the white wire (ungrounded) from the ceiling to the white wire (ungrounded) from the fan.
- 4-5. Connect the remaining wires as follows:

Dual Switch Wiring:

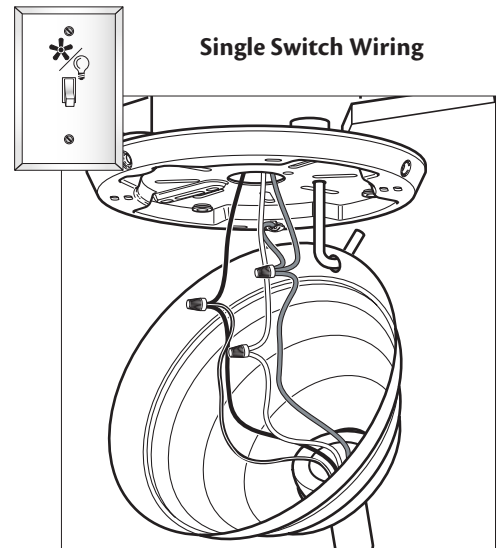
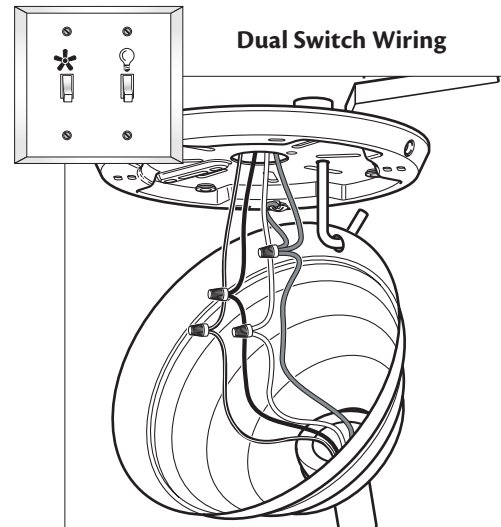
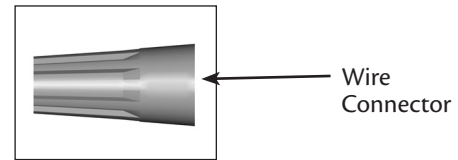
- The black wire (ungrounded) from the ceiling to the black wire (ungrounded) from the fan
- The black/white wire for the light (ungrounded) from the fan to the wire (ungrounded) for the wall switch

Single Switch Wiring:

- The black wire (ungrounded) from the ceiling to the black (ungrounded) and the black/white wire (ungrounded) from the fan

⚠ CAUTION: Be sure no bare wires or wire strands are visible after making connections.

- 4-6. Turn the splices upward and push them carefully back through the ceiling plate into the outlet box.
- 4-7. Spread the wires apart, with the grounded wires on one side of the outlet box and the ungrounded wires on the other side of the outlet box.

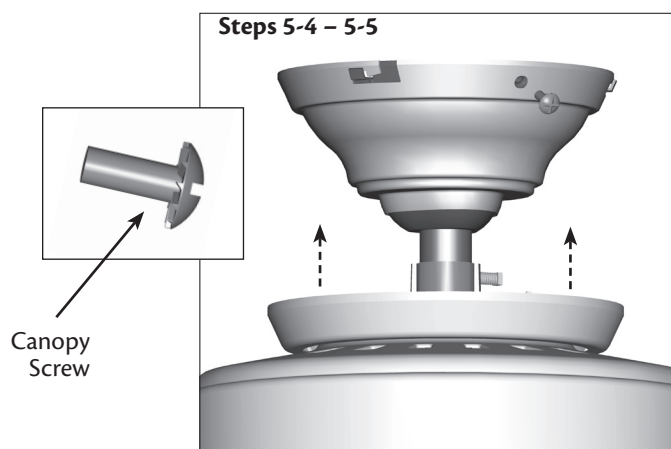
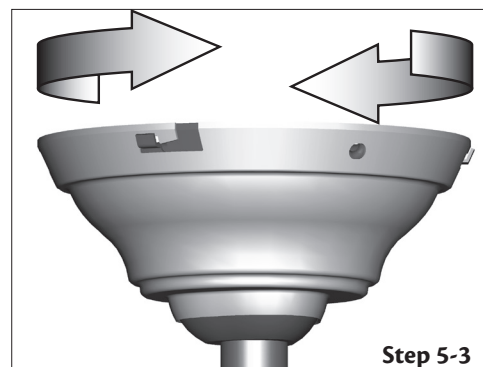
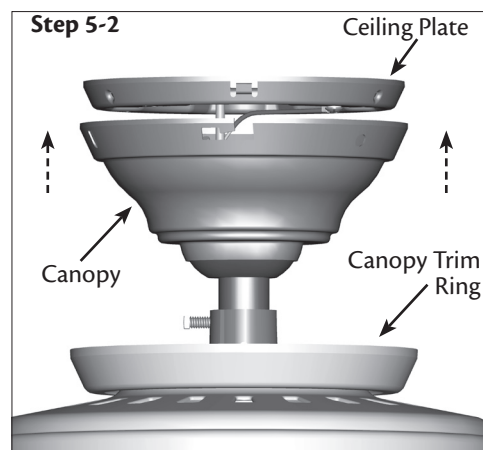


5 • Installing the Canopy and Canopy Trim Ring

- 5-1. Holding the canopy, raise the fan off the hook.
- 5-2. Align the slots in the canopy with the tabs on the ceiling plate.
- 5-3. Raise the canopy over the ceiling plate. Rotate the canopy clockwise until the tabs on the ceiling plate totally engage with the slots in the canopy.
- 5-4. Partially install the three canopy screws into the canopy one at a time. Once all three screws are in, tighten them.
- 5-5. Using both hands, push the canopy trim ring up to the top of the canopy. The canopy trim ring will snap and lock into place.

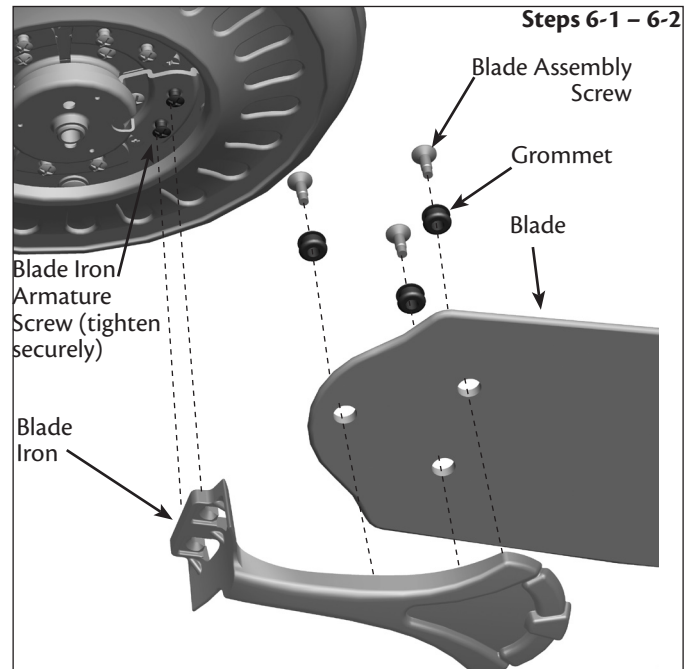
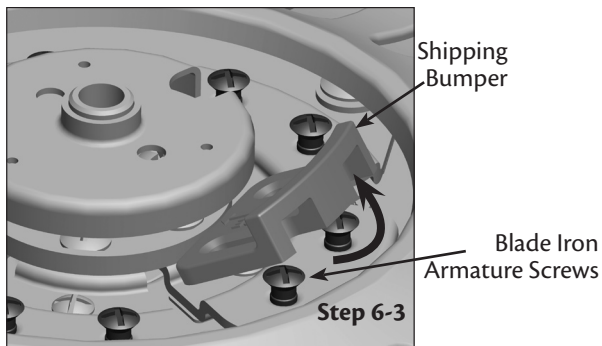
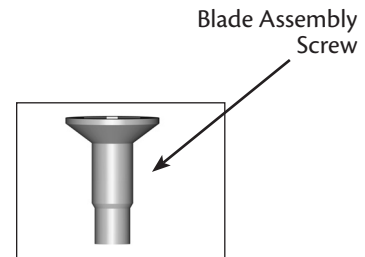
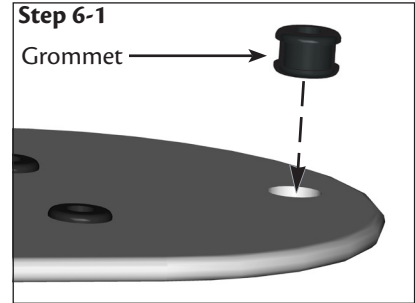
Should you need to remove the canopy trim ring, follow these steps:

1. Locate the tab indicators, small bumps on top of tabs.
2. Press firmly on opposite sides of the ring toward the canopy. The tabs will flex out releasing the trim ring from the canopy.



6 • Assembling the Blades

- 6-1. Your fan may include blade grommets. If your fan has grommets, insert them by hand into the holes on the blades.
- 6-2. Attach each blade to a blade iron using three blade assembly screws. If you used grommets, the blades may appear slightly loose after screws are tightened. This is normal.
- 6-3. Loosen the blade iron armature screws that are holding the shipping bumpers in place. Push the shipping bumpers in, then lift them off.
- 6-4. Slide the blade irons onto the blade iron armature screws. Tighten the blade iron armature screws as tight as possible with a screwdriver.

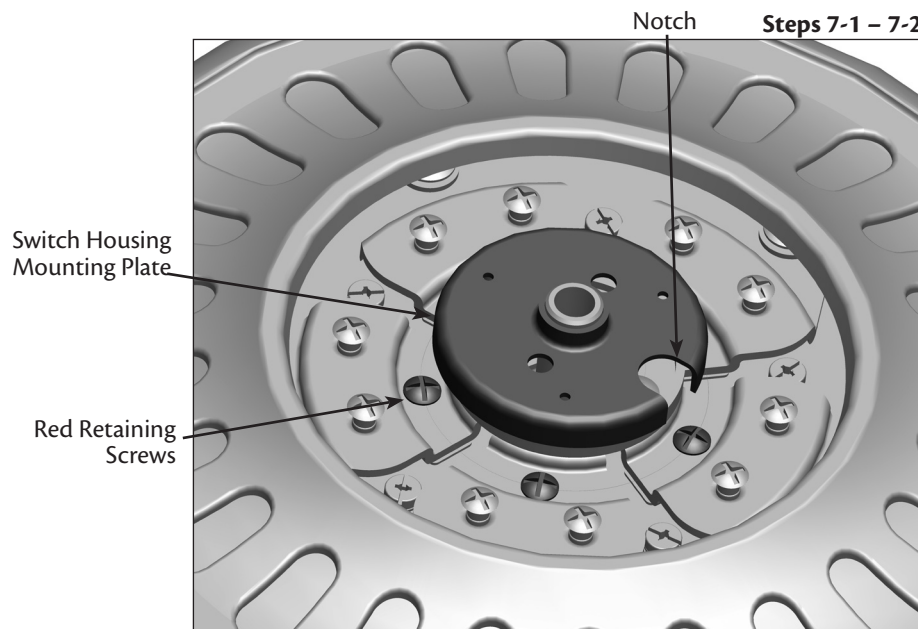


7 • Activating Perfect Balance™

7-1. **If you are using one of the enclosed downrods**, it is now time for you to activate the Perfect Balance™ system by removing the five red retaining screws. Rotate the blades slowly until one of the red retaining screws is visible through the notch in the mounting plate. Remove the retaining screw from the bottom of the fan housing using a screwdriver. Repeat this process for all 5 retaining screws.

Note: After the retaining screws are removed, the blades will feel loose. This is normal, as loose blades are a characteristic of the Perfect Balance™ system.

7-2. **If you are using a downrod longer than 6 inches**, leave the retaining screws in their place and continue the installation process.



8 • Completing Your Installation With or Without a Bowl Light Fixture

Your Hunter fan comes with an integrated light fixture assembly and an optional switch housing cap and plug button. This feature gives you the option of installing the fan with OR without the included light fixture. The steps below direct you whether or not you are installing a light fixture.

Note: This fan is to be installed ONLY with the enclosed light kit. Use of another light kit will result in improper performance of the fan and will void the warranty.

⚠ WARNING: Use only the light fixture supplied with this fan model.

- 8-1. To attach the upper switch housing, partially install two housing assembly screws into the switch housing mounting plate.
- 8-2. Feed the upper plug connector through the center opening of the housing.
- 8-3. Align the keyhole slots in the housing with the housing assembly screws.
- 8-4. Turn the housing counterclockwise until the housing assembly screws are firmly situated in the narrow end of the keyhole slots. Install the remaining screw into the housing. Tighten all three screws firmly.

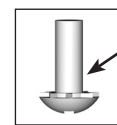
⚠ CAUTION: Make sure the upper switch housing is securely attached to the switch housing mounting plate. Failure to properly attach and tighten all three assembly screws could result in the switch housing and light fixture falling.

- 8-5. **If you want to install the light fixture**, proceed with Step 8-6 now.

If you do not want to install the light fixture, you need to uninstall it now. See “Uninstalling the Light Fixture” on Step 8-17. Once you have uninstalled the light fixture, continue with Step 8-6.



Steps 8-1 – 8-3



Housing
Assembly
Screw

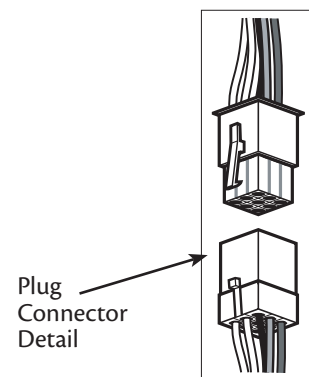
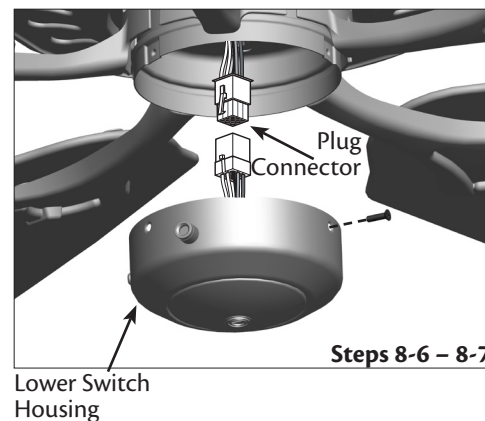
Upper
Switch
Housing

8 • Completing Your Installation With or Without a Bowl Light Fixture (Continued)

8-6. To attach the lower switch housing, connect the upper plug connector from the motor to the lower plug connector in the lower switch housing assembly.

Note: Both plug connectors are polarized and will only fit together one way. Make sure the connectors are properly aligned before connecting them. Incorrect connection could cause improper operation and damage to the product.

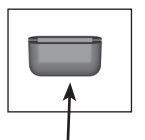
8-7. Place the lower switch housing assembly over the upper switch housing. Align the side screw holes in the upper and lower switch housings. Attach the lower switch housing to the upper switch housing with three housing assembly screws.



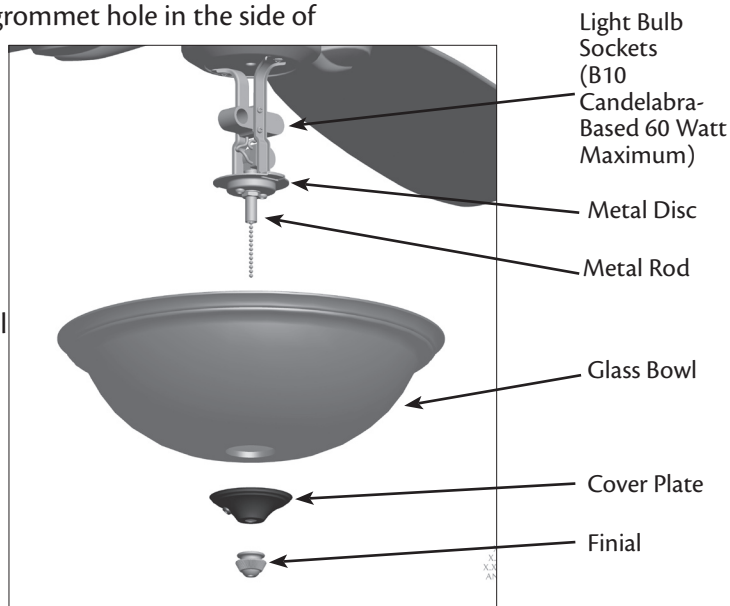
8 • Completing Your Installation With or Without a Bowl Light Fixture (Continued)

Installing the Glass Bowl

- 8-8. First install B10 candelabra bulbs (60 Watt Maximum) into the sockets.
- 8-9. If the fandangle is attached to the extra pull chain, remove it now.
- 8-10. Attach the extra pull chain (included) to the fan pull chain using the plastic breakaway connector. (You may find the plastic breakaway connector on the end of the extra chain.)
- 8-11. Thread the fan pull chain through the hole in the metal disc. Then, thread the fan pull chain through the hole in the center of the glass bowl.
- 8-12. Thread the light pull chain through the hole in the center of the glass bowl. Then, Thread the light pull chain through the hole in the center of the cover plate.
- 8-13. Thread the fan pull chain through the grommet hole in the side of the cover plate.
- 8-14. Place the cover plate up against the glass bowl. Align the holes in the cover plate and glass bowl.
- 8-15. Thread the light pull chain through the finial and screw the finial onto the threaded rod end until tight.
- 8-16. Reattach the fandangle to the extra pull chain.



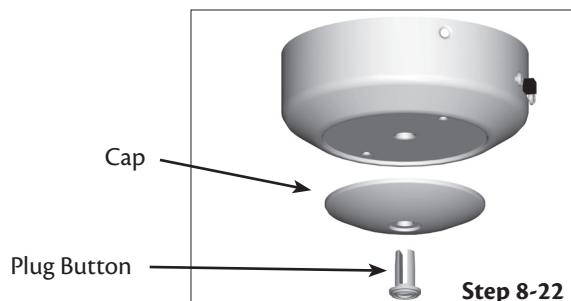
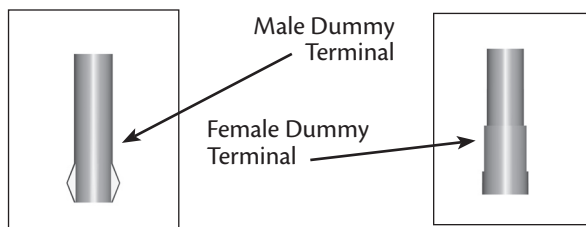
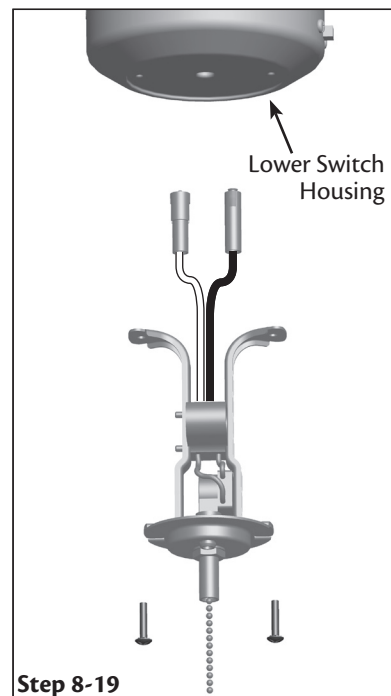
Breakaway
Connector



8 • Completing Your Installation With or Without a Bowl Light Fixture (Continued)

Uninstalling the Light Fixture

- 8-17. To uninstall the light fixture, first disconnect the plug connectors between the black wire and the black/white wire.
- 8-18. Disconnect the plug connectors between the two white wires.
- 8-19. Remove the two screws attaching the light kit to the lower switch housing.
- 8-20. Remove the light fixture from the lower switch housing, pulling disconnected wires through the hole in the center of the lower switch housing.
- Note:** When removing the wires, pull the thin plug connector (male) through first, and then pull the other plug connector (female) through the hole.
- 8-21. Install the dummy terminals (included in the sack parts) on the two disconnected wires in the lower switch housing.
- 8-22. Install the switch housing cap and plug button to the lower switch housing.
- 8-23. Once you have uninstalled the light fixture, continue with step 8-6.

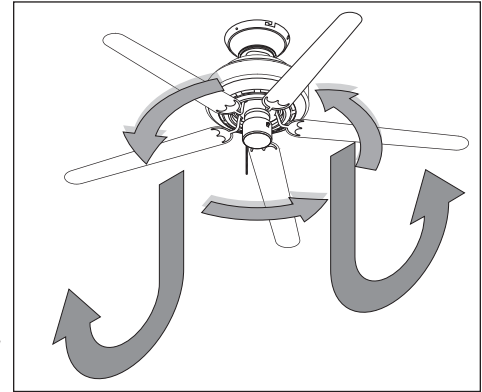


9 • Operating and Cleaning Your Ceiling Fan

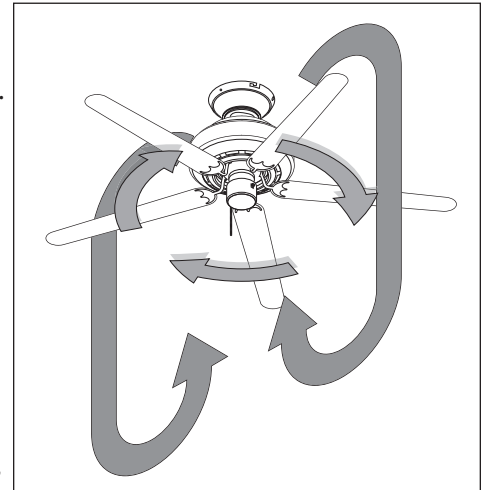
- 9-1. Turn on electrical power to the fan.
- 9-2. The first time the fan is turned on, let it run continuously and undisturbed for 10-15 minutes. The fan may wobble at first, but then the Perfect Balance™ mechanism will take control and balance out the fan.

Note: The first time the fan is turned on, the components might make a slight noise as they come in contact with each other. This sound is normal and will stop within moments.

- 9-3. The fan pull chain controls power to the fan. The pull chain has four settings in sequence: High, Medium, Low, and Off. Pull the chain slowly to change settings. Release slowly to prevent the chain from recoiling into the blades. The chain uses a breakaway connector that separates if the chain is jerked. If this happens, simply reinsert the chain into the connector.
- 9-4. Ceiling fans work best by blowing air downward (counterclockwise blade rotation) in warm weather to cool the room with a direct breeze. In winter, having the fan draw air upward (clockwise blade rotation) will distribute the warmer air trapped at the ceiling around the room without causing a draft.
- 9-5. For cleaning finishes, use a soft brush or lint-free cloth to prevent scratching. A vacuum cleaner brush nozzle can remove heavier dust. Remove surface smudges or accumulated dirt and dust using a mild detergent and a slightly dampened cloth. You may use an artistic agent, but never abrasive cleaning agents as they will damage the finish.
- 9-6. Clean wood finish blades with a furniture polishing cloth. Occasionally, apply a light coat of furniture polish for added protection and beauty. Clean painted and high-gloss blades in the same manner as the fan finish.



In warm weather, use downward air flow pattern

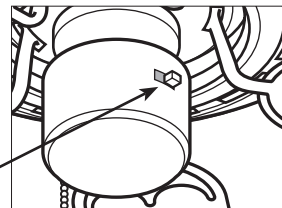


In cold weather, use upward air flow pattern

To Change Airflow Direction

Turn the fan off and let it come to a complete stop. Slide the reversing switch on the fan to the opposite position. Restart fan.

Reversing
Switch



10 • Troubleshooting

Problem: Nothing happens; fan does not move.

1. Turn power on, replace fuse, or reset breaker.
2. Loosen canopy, check all connections according to the wiring the fan section.
3. Check the plug connection in the switch housing.
4. Push motor reversing switch firmly left or right to ensure that the switch is engaged.
5. Pull the pull chain to ensure it is on.
6. Remove the shipping bumpers.

Problem: Noisy operation.

1. Tighten the blade bracket screws until snug.
2. Check to see if the blade is cracked. If so, replace all the blades.

Problem: Excessive wobbling.

1. If it appears the blades have become imbalanced, run your fan on high speed for approximately 15 minutes. Then, operate as normal.
2. If your fan wobbles when operating, use the enclosed balancing kit and instructions to balance the fan.
3. Tighten all blade iron screws.
4. Turn power off, support fan very carefully, and check that the hanger ball is properly seated.

If you need parts or service assistance, please call 888-830-1326 or visit us at our Web site at <http://www.hunterfan.com>.

Hunter Fan Company
2500 Frisco Avenue
Memphis, Tennessee 38114



ATTENTION! NEW FEATURE!

Your new Hunter fan features an innovative, new breakthrough in ceiling fan technology known as the **Perfect Balance™** system. Perfect Balance™ is a mechanism designed by Hunter Fan Company to ensure your fan remains balanced and wobble-free.

The blades will feel loose on the fan when Perfect Balance™ is activated. This is normal. Since everyday environmental factors such as dust and wear can cause one blade to become slightly off-balance over time, the Perfect Balance™ mechanism works by allowing the other blades to compensate for it.

HOW TO TAKE FULL ADVANTAGE OF YOUR PERFECT BALANCE™ FAN:

1. When installing the ceiling plate, make sure the noise isolators are tightly secured against the ceiling and the ceiling plate does not move.
2. The Perfect Balance™ system is designed for use with downrods 6" and shorter. See instructions for use on longer downrods.
3. To activate the Perfect Balance™ system, you must remove all 5 red retaining screws under the switch housing mounting plate. **See the Installation and Operation Manual for more information.**

BOTTOM OF FAN

Switch Housing
Mounting Plate



Red Retaining Screws

If you need parts or service assistance, please call 888-830-1326 or visit us at our Web site at <http://www.hunterfan.com>.

Hunter Fan Company
2500 Frisco Avenue
Memphis, Tennessee 38114

