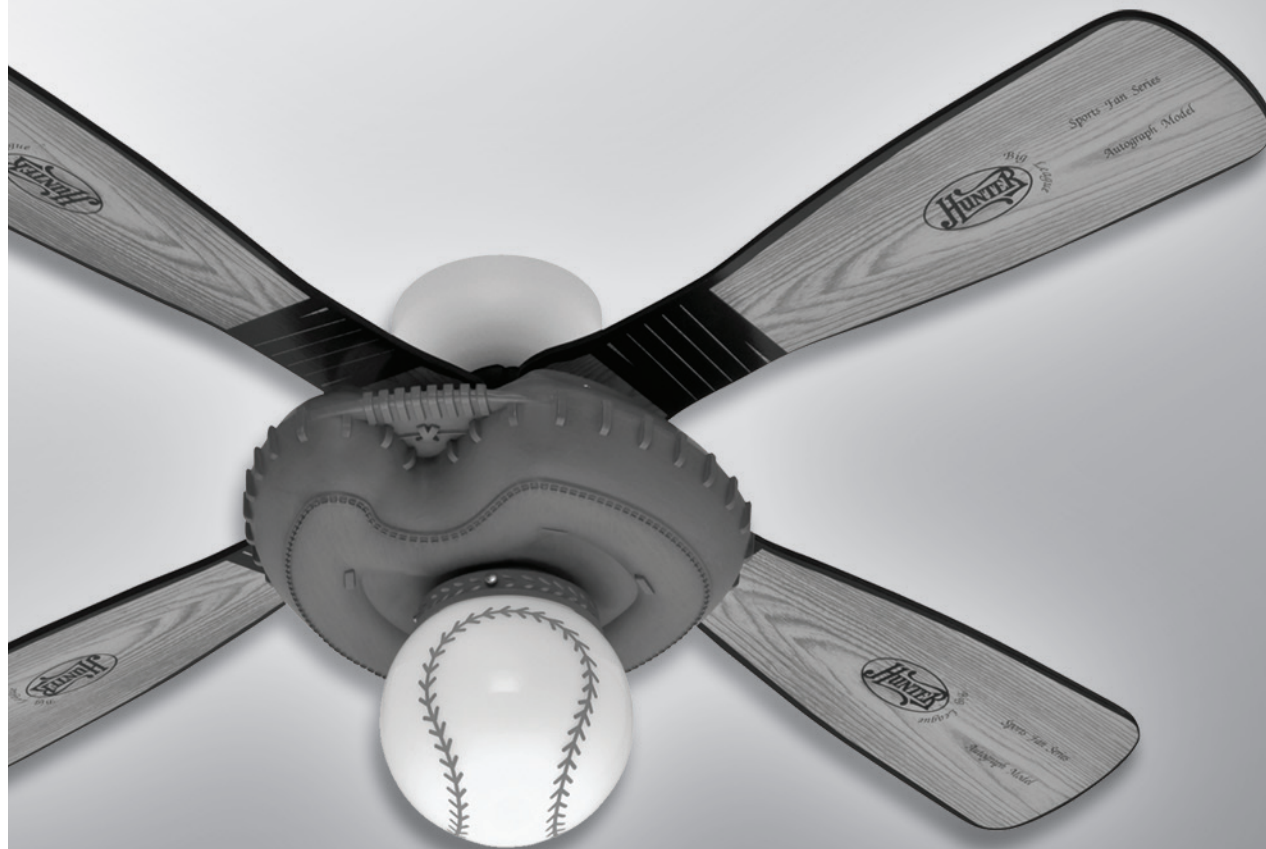


# Type 2 Models

Owner's Guide and Installation Manual



English

Español

Form# 41081-01  
20090804  
©2009 Hunter Fan Co.

*SINCE 1886*  
**Hunter**<sup>®</sup>

# Welcome

## For Your Records and Warranty Assistance

For reference, also attach your receipt or a copy of your receipt to the manual.

Model Name

Model No.

Date Purchased

Where Purchased

### Table Of Contents

1 • Getting Ready.....	4
2 • Installing the Hanger Bracket .....	5
3 • Assembling and Hanging the Fan ...	6
4 • Wiring the Fan .....	8
5 • Installing the Canopy .....	9
6 • Installing the Light Fixture .....	10
7 • Operating and Cleaning Your Ceiling Fan .....	11
8 • Troubleshooting.....	12

Your new Hunter® ceiling fan is an addition to your home or office that will provide comfort and performance for many years. This installation and operation manual gives you complete instructions for installing and operating your fan.

We are proud of our work. We appreciate the opportunity to supply you with the best ceiling fan available anywhere in the world.

Before installing your fan, for your records and warranty assistance, record information from the carton and Hunter nameplate label (located on the top of the fan motor housing).

### Cautions and Warnings

- **READ THIS ENTIRE MANUAL CAREFULLY BEFORE BEGINNING INSTALLATION. SAVE THESE INSTRUCTIONS.**
- Use only Hunter replacement parts.
- To reduce the risk of personal injury, attach the fan directly to the support structure of the building according to these instructions, and use only the hardware supplied.
- To avoid possible electrical shock, before installing your fan, disconnect the power by turning off the circuit breakers to the outlet box and associated wall switch location. If you cannot lock the circuit breakers in the off position, securely fasten a prominent warning device, such as a tag, to the service panel.
- All wiring must be in accordance with national and local electrical codes and ANSI/NFPA 70. If you are unfamiliar with wiring, use a qualified electrician.
- To reduce the risk of personal injury, do not bend the blade attachment system when installing, balancing, or cleaning the fan. Never insert foreign objects between rotating fan blades.
- To reduce the risk of fire, electrical shock, or motor damage, do not use a solid-state speed control with this fan. Use only Hunter speed controls.

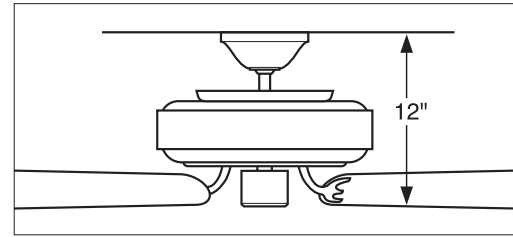
## Mounting and Optional Accessories

### Understanding Mounting

Hunter's mounting system provides you maximum installation flexibility and ease. This fan may only be mounted in a Standard Mounting style, as directed in these instructions. This fan cannot be low-profile or angle mounted.

### Considering Optional Accessories

Consider using Hunter's optional accessories, including a wall-mounted speed control. This fan cannot use remote control speed controls. To install and use the accessories, follow the instructions included with each product. For quiet and optimum performance of your Hunter fan, use only Hunter speed controls.



**Standard Mounting** hangs from the ceiling by a downrod (included), recommended for ceilings 8 feet or higher

## 1 • Getting Ready

To install a ceiling fan, be sure you can do the following:

- Locate the ceiling joist or other suitable support in ceiling.
- Drill holes for and install wood screws.
- Identify and connect electrical wires.
- Lift 40 pounds.

If you need help installing the fan, your Hunter fan dealer can direct you to a licensed installer or electrician.

### Gathering the Tools

You will need the following tools for installing the fan:

- Electric drill with 9/64" bit
- Standard screwdriver (magnetic tip, if available)
- Phillips-head screwdriver (magnetic tip, if available)
- Wrench or pliers

### Checking Your Fan Parts

Carefully unpack your fan to avoid damage to the fan parts. Refer to the included "Parts Guide" for details.

Check for any shipping damage to the motor or fan blades. If any parts are missing or damaged, contact the Hunter Technical Support Department at 888-830-1326 (In Canada, call 1-866-268-1936).

### Preparing the Fan Site

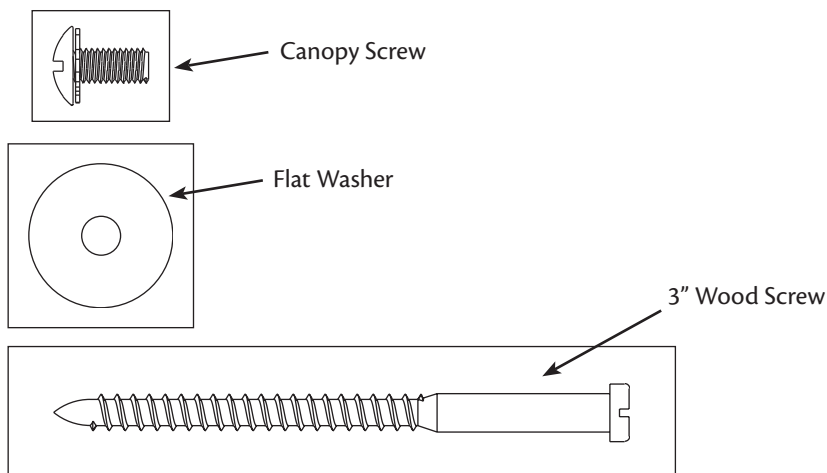
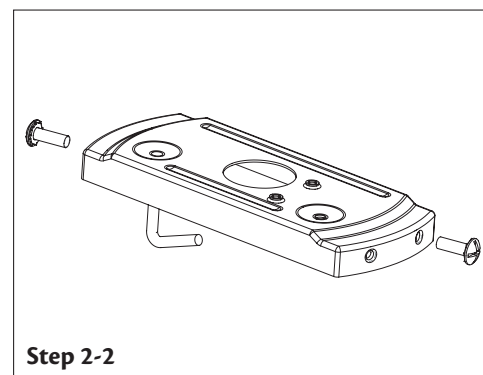
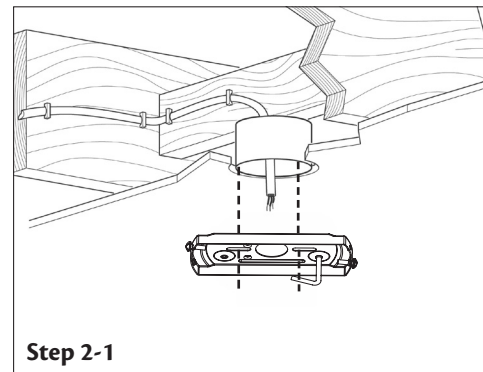
Before you begin installing the fan, follow all the instructions in the pullout sheet called "Preparing the Fan Site." Proper ceiling fan location and attachment to the building structure are essential for safety, reliable operation, maximum efficiency, and energy savings.

#### Installing Multiple Fans?

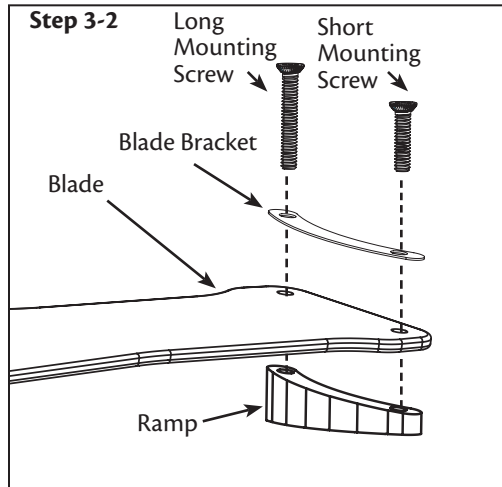
If you are installing more than one fan, keep the fan blades and blade irons in sets, as they were shipped.

## 2 • Installing the Hanger Bracket

- 2-1. Drill two pilot holes into the wood support structure through the outermost holes in the outlet box, using the ceiling plate as a guide. The pilot holes should be  $9/64$ " in diameter.
- 2-2. Install one canopy screw into each side of the ceiling plate as shown.
- 2-3. Place a flat washer on each of the two 3" wood screws.
- 2-4. Thread the lead wires from the outlet box down through the hole in the middle of the ceiling plate.
- 2-5. Align the slotted holes in the ceiling plate with the pilot holes you drilled in the wood support structure.
- 2-6. Pass the wood screws through the slotted holes in the hanger bracket into the pilot holes you drilled.  
Tighten the wood screws into the  $9/64$ " pilot holes; do not use lubricants on the screws. Do not over tighten.



### 3 • Assembling and Hanging the Fan



3-1. Remove the blade mounting screws and rubber shipping bumpers from the motor.

3-2. Assemble the blade ramp, blade, and blade bracket as shown.

**Note:** The blades are two-sided. Select which side you would like to see and install it face-down.

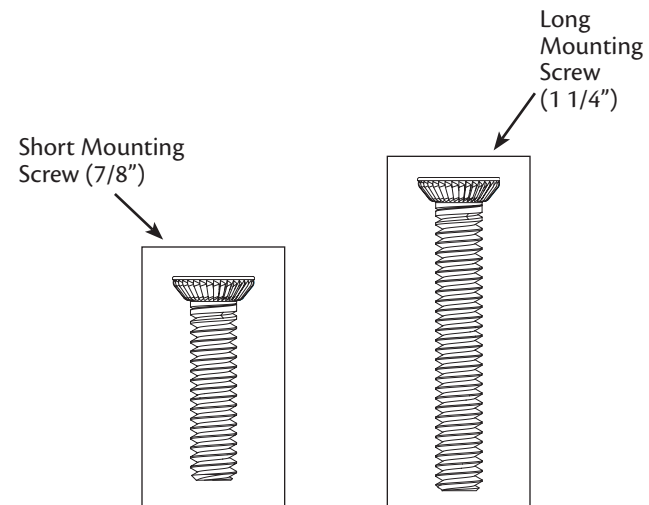
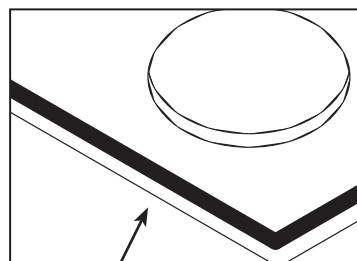
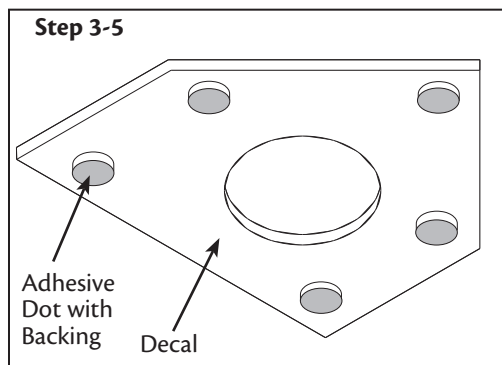
3-3. Align the holes in the ramp, blade, and blade bracket with the holes in the top of the fan.

3-4. Use the 1 1/4" long mounting screws to attach the taller end of the blade assembly to the fan, and the 7/8" short mounting screws to attach the shorter end of the blade assembly to the fan. Tighten all screws securely.

3-5. Leaving the backing on one side of the dots, place the adhesive dots onto the back of the decorative decal (the side without printing).

**Note:** If you have a textured ceiling, you may need to smooth a surface for the dots to adhere, or purchase a thicker adhesive.

3-6. Rest the decorative decal over the motor shaft, with the printed side down.



### 3 • Assembling and Hanging the Fan

- 3-7. Thread the wires from the fan through the canopy.
- 3-8. Thread the wires from the fan through the pipe ball assembly.
- 3-9. Loosen the square head set screw in the pipe. Screw the pipe ball assembly onto the threaded pipe from the motor. Retighten the set screw in the pipe ball assembly, using a wrench or pliers.

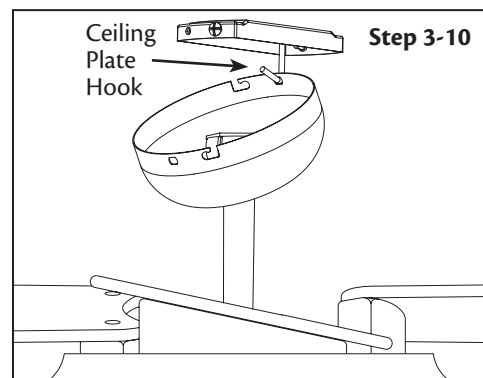
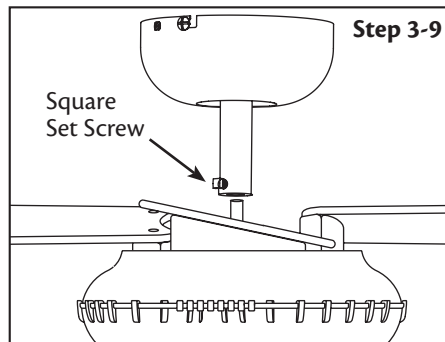
**▲ CAUTION:** The adapter has a special coating on the threads. Do not remove this coating; the coating prevents the downrod from unscrewing. Once assembled, do not remove the downrod.

**▲ WARNING:** Do not carry or lift fan by canopy or motor wires.

- 3-10. Lift the fan and place a hole in the canopy over the ceiling plate hook.
- 3-11. Align the slot on the ball with the tab on the hanger bracket and place the ball into the hanger bracket.

Go to **4 • Wiring the Fan.**

**▲ WARNING:** Fan may fall if not assembled as directed in these installation instructions.



## 4 • Wiring the Fan

**All wiring must be in accordance with national and local electrical codes and ANSI/NFPA 70. If you are unfamiliar with wiring, use a qualified electrician.**

Wall switches are not included. Select an acceptable general-use switch in accordance with national and local electrical codes.

4-1. Make sure the power to the outlet box and associated wall switch location is still OFF.

To connect the wires, hold the bare metal leads together and place a wire connector over them, then twist clockwise until tight.

### Single Switch Wiring:

If you want to, you can control both fan and light with one switch.

To do so connect the wires as follows:

- The bare or green ground wire from the ceiling to the green ground wire from the hanger bracket and the green ground wire from the fan
- The white wire from the ceiling to the white wire from the fan
- The black wire from the ceiling to the black and the black/white wire from the fan

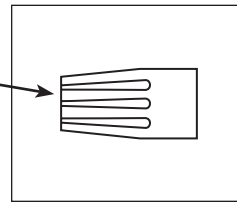
### Dual Switch Wiring:

- The bare or green ground wire from the ceiling to the green ground wire from the pipe ball assembly
  - The white wire from the ceiling to the white wire from the fan
  - The black wire from the ceiling to the black wire from the fan
  - The black/white wire from the fan to the wire for the wall switch

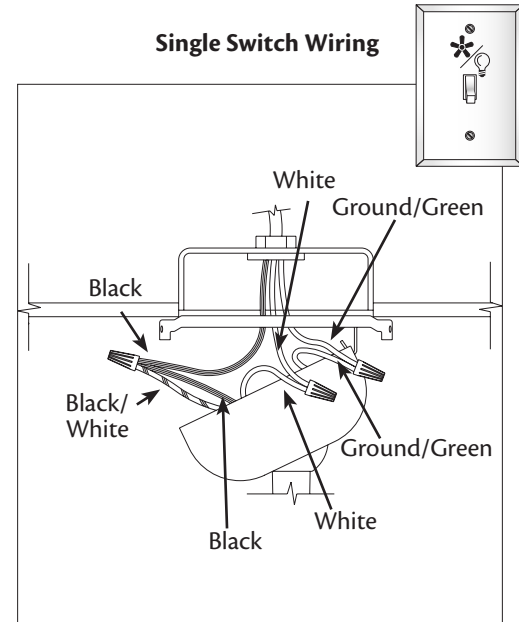
**▲ CAUTION:** Be sure no bare wire or wire strands are visible after making connections.

Push all wires and wire connectors into the outlet box.

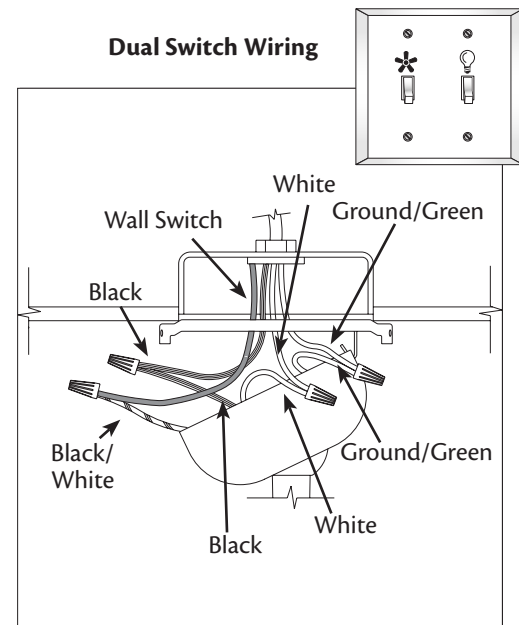
Wire Connector



### Single Switch Wiring

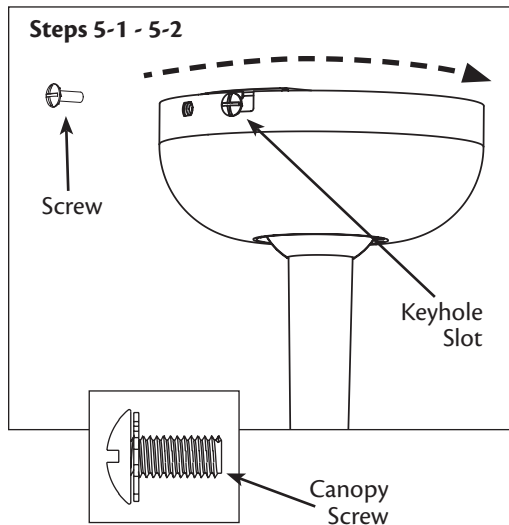


### Dual Switch Wiring





## 5 • Installing the Canopy



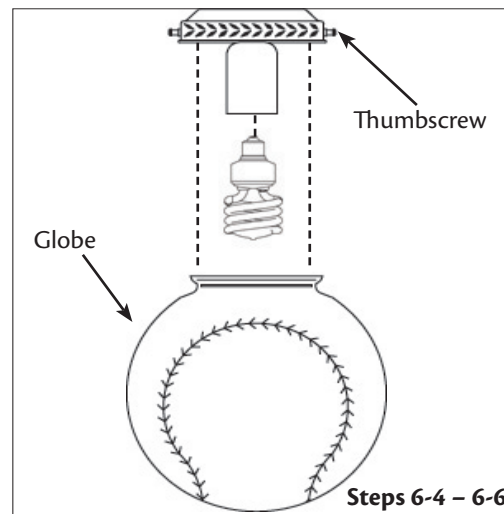
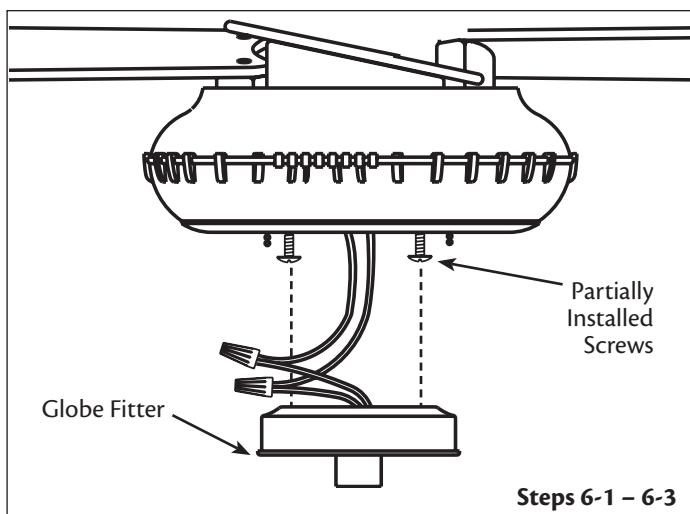
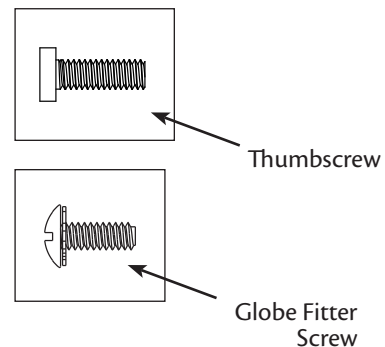
- 5-1. Lift the canopy off of the ceiling plate hook. Align the two keyholes in the canopy with the two partially installed screws in the ceiling plate. Rotate to engage the screws in the narrow ends of the keyholes and securely tighten the screws.
- 5-2. Install the remaining two screws through the holes in the canopy and into the ceiling plate.
- 5-3. Remove the backing from the adhesive dots, position the decal on the ceiling, and press the decal to adhere to the ceiling.

## 6 • Installing the Light Fixture

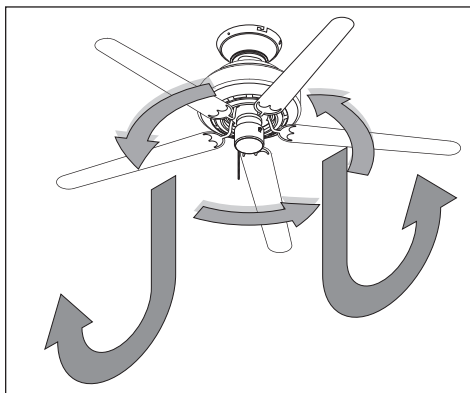
- 6-1. Partially install two globe fitter screws into the two holes in the bottom of the fan.
- 6-2. To connect the wires, hold the bare metal leads together and place a wire connector over them, then twist clockwise until tight.
  - Connect the black wire from the fan to the black wire from the light fixture.
  - Connect the white wire from the fan to the white wire from the light fixture.

Push the wires and wire connectors into the hole in the bottom of the fan.

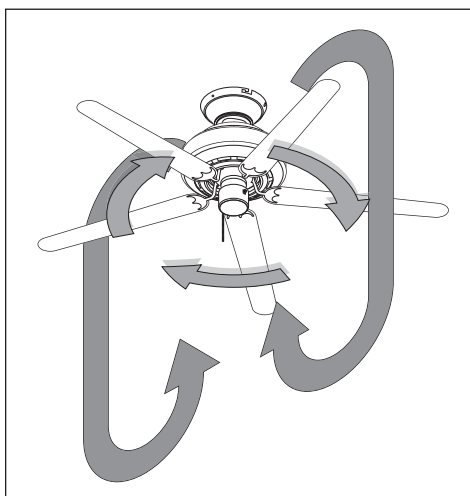
- 6-3. Align the keyholes in the globe fitter with the two partially installed globe fitter screws. Rotate the fitter counterclockwise to engage the screws in the narrow ends of the keyholes. Securely tighten the screws.
- 6-4. Install included CFL (19 Watt max) bulb into the light socket.
- 6-5. Partially install the three thumbscrews into the globe fitter.
- 6-6. Insert the glass globe into the fitter and securely tighten the three thumbscrews.



## 7 • Operating and Cleaning Your Ceiling Fan



**In warm weather,** use downward air flow pattern



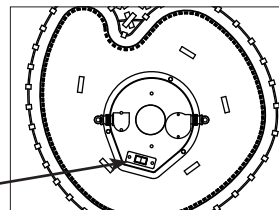
**In cold weather,** use upward air flow pattern

- 7-1. Turn on electrical power to the fan.
- 7-2. The fan pull chain controls power to the fan. The pull chain has four settings in sequence: High, Medium, Low and Off.
  - Pull the chain slowly to change settings.
  - Release slowly to prevent the chain from recoiling into the blades.
  - The chain uses a breakaway connector that separates if the chain is jerked. If this happens, simply reinsert the chain into the connector.
- 7-3. The light pull chain controls power to the light. The pull chain has two settings: On and Off.
- 7-4. Ceiling fans work best by blowing air downward (counterclockwise blade rotation) in warm weather to cool the room with a direct breeze. In winter, having the fan draw air upward (clockwise blade rotation) will distribute the warmer air trapped at the ceiling around the room without causing a draft.
- 7-5. For cleaning finishes, use a soft brush or lint-free cloth to prevent scratching. A vacuum cleaner brush nozzle can remove heavier dust. Remove surface smudges or accumulated dirt and dust using a mild detergent and a slightly dampened cloth. You may use an artistic agent, but never abrasive cleaning agents as they will damage the finish.
- 7-6. Clean wood finish blades with a furniture polishing cloth. Occasionally, apply a light coat of furniture polish for added protection and beauty. Clean painted and high-gloss blades in the same manner as the fan finish.

### To Change Airflow Direction

Turn the fan off and let it come to a complete stop. Slide the reversing switch on the fan to the opposite position. Restart fan.

Reversing  
Switch



## 8 • Troubleshooting

**Problem: Nothing happens; fan does not move.**

1. Turn power on, replace fuse, or reset breaker. Turn wall switch on.
2. Loosen canopy, check all connections according to the **Wiring the Fan** section.
3. Push motor reversing switch firmly left or right to ensure that the switch is engaged.
4. Pull the pull chain to ensure it is on.
5. Remove the shipping bumpers.

**Problem: Noisy operation.**

1. Tighten the blade bracket screws until snug.
2. Check to see if the blade is cracked. If so, replace all the blades.
3. Tighten all screws.

**Problem: Excessive wobbling.**

1. If your fan wobbles when operating, use the enclosed balancing kit and instructions to balance the fan.
2. Tighten all blade iron screws.
3. Turn power off, support fan very carefully, and check that the hanger ball is properly seated.

**Problem: Lights dim when turned on or do not turn on**

1. Check to make sure wattage of light bulbs installed match the specifications on the light socket.

**Problem: If the light on this fan shuts off suddenly.**

1. Turn the power to the fan off at the wall switch. Wait 30 seconds, then resume power to the fan.

If you need parts or technical assistance, please call 888-830-1326 (In Canada, 1-866-268-1936) or visit us at our web site at <http://www.hunterfan.com>.

Hunter Fan Company  
7130 Goodlett Farms Pkwy. #400  
Memphis, Tennessee 38016