



9ft 2-Tier Breeze Thru Crank & Tilt Market Umbrella

Assembly and User Manual
ITEM: UMB920110

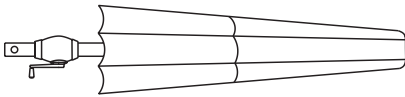


#M28814



The schematics in this manual are for assembly and operation illustration only. They may differ from the umbrella's actual appearance. Patio stones are not included.

If you have any questions, problems or need additional parts please **do not return** to the place of purchase. Contact our customer service department toll free at **1-855-880-7205** or email us at **customerservice@atleisure.com**

| Package Contents 2.

PICTURE	DESCRIPTION	QTY(PC)
	Umbrella Frame with Canopy	1
	Bottom Pole	1
	Finial	1

| Warnings

1. Do not use this umbrella during periods of high wind and rain. Failure to do so may result in personal injury and/or property damage.
2. Always take the umbrella down when not in use.
3. Placement of the umbrella over or near a swimming pool can cause premature fading of the canopy. This is not covered under our warranty.
4. To prevent damage to the canopy, open the umbrella facing the opposite direction that the wind is blowing.

CANOPY CARE INSTRUCTIONS:

Simply clean the umbrella canopy with a soft brush and mild detergent.

Do not machine wash.

Do not iron.

Air dry the canopy thoroughly before storing for extended periods of time.

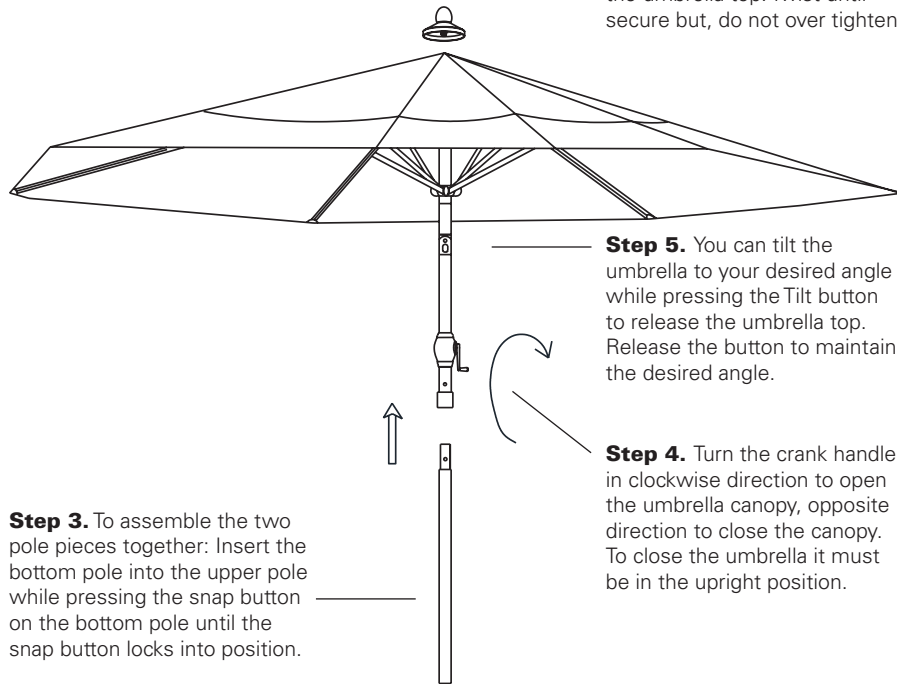
Make sure the canopy is completely open during drying process to prevent shrinkage.

3. Instructions Of Set-Up & Operation |

Before beginning assembly of product, make sure all parts are present. Compare parts with package contents list and diagram above. If any part is missing or damaged, do not attempt to assemble the product or return to the place of purchase. Contact our customer service toll free at **1-855-880-7205** for replacement parts or further instructions. No Tools Required for Assembly.

Step 1. Take all parts out of the box. If any parts are missing, **please do not return to the place of purchase.** Call our customer service toll free at **1-855-880-7205**.

Step 2. Attach the finial on the umbrella top (if unattached) by screwing the finial onto the threaded screw-in adapter on the umbrella top. Twist until secure but, do not over tighten.



Step 5. You can tilt the umbrella to your desired angle while pressing the Tilt button to release the umbrella top. Release the button to maintain the desired angle.

Step 4. Turn the crank handle in clockwise direction to open the umbrella canopy, opposite direction to close the canopy. To close the umbrella it must be in the upright position.

Step 3. To assemble the two pole pieces together: Insert the bottom pole into the upper pole while pressing the snap button on the bottom pole until the snap button locks into position.



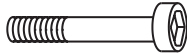
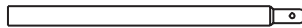
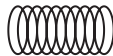


We recommend that you insert the umbrella into an umbrella base or table (not included) to help secure the umbrella.

Contact our customer service department toll free at **1-855-880-7205** or email us at **customerservice@atleisure.com**

| 90 Day Warranty

This product is covered under a manufacturer's 90-day warranty from date of purchase against defects in materials and workmanship. This warranty does not cover damage due to neglect, abuse or weather related damage. For full warranty disclosure, email us at **customerservice@atleisure.com**.

| Replacement Parts List

Description	Picture	Re-order No.
Finial		FNL-38A-BRZ
Tilt Button		HDW-38ATB-SLVR
Tilt Button Screw		HDW-38ASCW-SLVR
Bottom Pole (Snap In 38mm)		BMP-38ASN-BRZ
Tilt Button Spring		HDW-38ASPG-SLVR
Crank		CRK-38A-SLVR
Canopy(Breeze Free)		CAN-9M8RBBFO-BR,HG,TO,CHO,KH

This ATLeisure product is covered by U.S. App. No. 61478290 (Patent Pending).



www.atleisure.com
 ATLANTA, GEORGIA
Customer Service Toll Free 1-855-880-7205
 Monday through Friday from 8:00am-5:00pm
 (Eastern Time)