

PARTS GUIDE

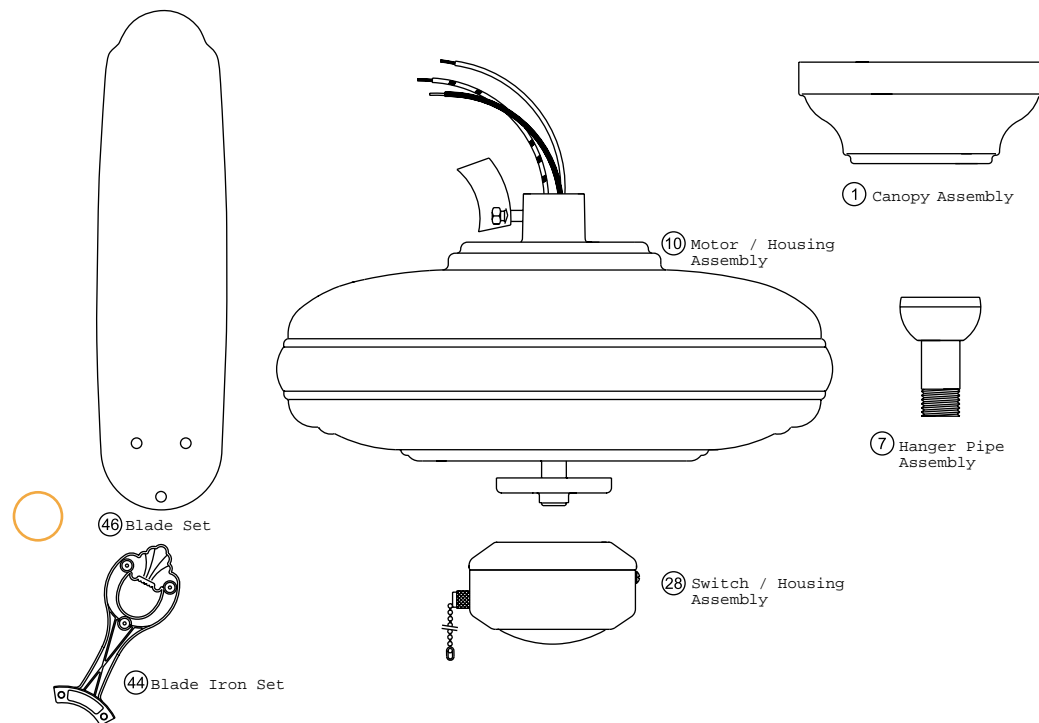


Using the Parts Guide below, check to make sure all parts are included in the box.
 If parts are missing or damaged call 1-888-830-1326.
PLEASE DO NOT RETURN THIS PRODUCT TO THE STORE.

Before installing your fan, record the following information for your records and warranty assistance.

Fan Parts

(Not Drawn to Scale)



Model Name _____
 Catalog No. _____
 Serial No. _____
 Date Purchased _____
 Where Purchased _____

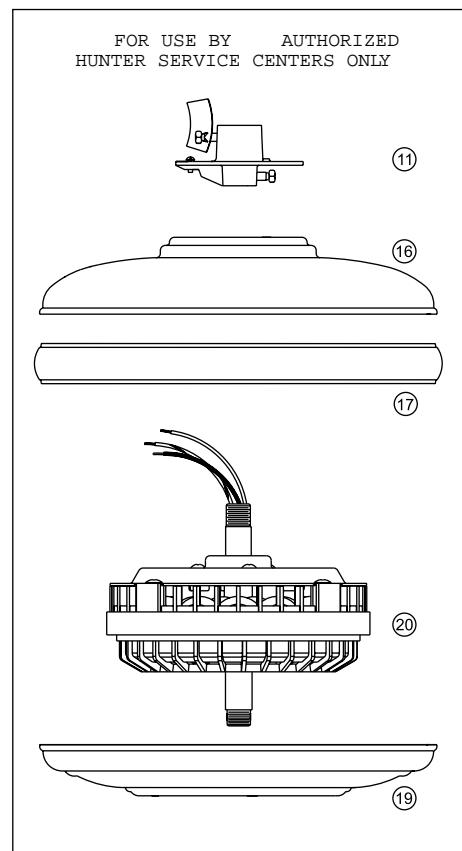
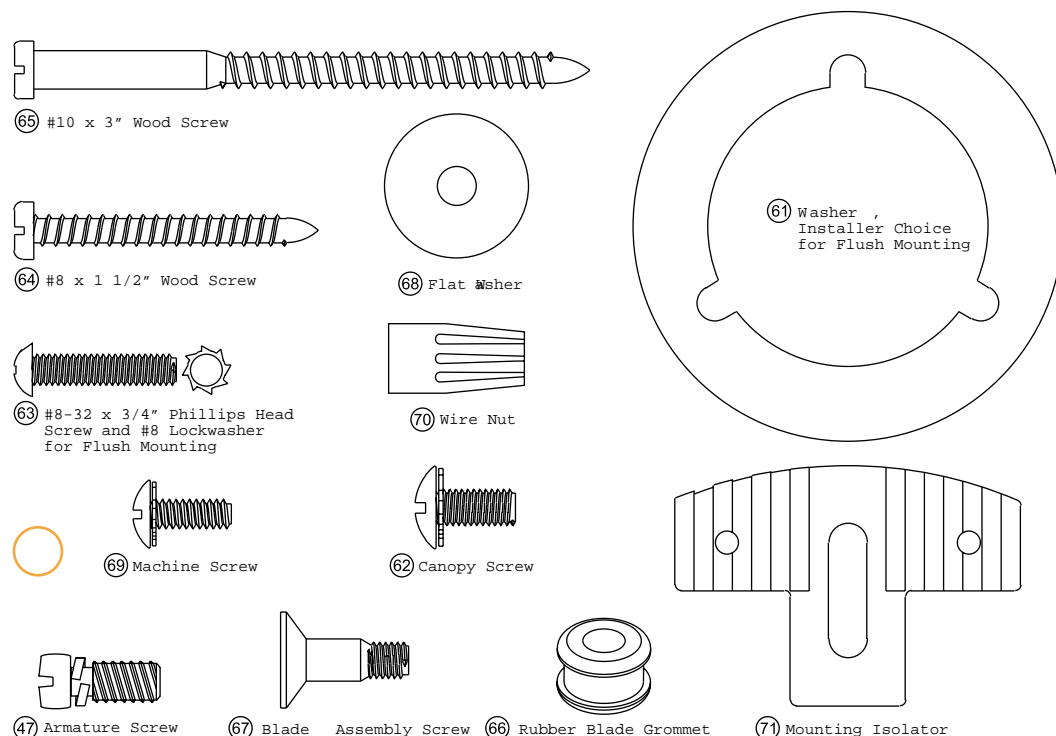
Missing / Broken Parts:
 Call 1-888-830-1326

Fan does not work:
 1. Reference the Trouble Shooting guide in your Instruction Manual.
 2. Call your Local Service Center.
 3. Call Technical Support at 901-248-2222.

For additional information on:
 Hunter Products • Trouble Shooting
 Dealer Location • Service Center Locator
 Call 1-800-448-6837
www.hunterfan.com

Hardware

(Drawn to Scale)



Parts List

Item #	Item Name	Qty	Model #	28150	28151	28152	28153
			Asm. Dwg. #	93720-01-298	93720-02-282	93720-03-300	93720-04-296
			Finish	Provincial Gold	French White Gold	Aged Bronze	Chamois
Part #	Part #	Part #	Part #	Part #	Part #	Part #	
1	Canopy Assembly	1					
2	* Hanger Bracket Assembly	1	74090-02-000	74090-02-000	74090-02-000	74090-02-000	
3	* Canopy	1	92697-01-298	92697-01-282	92697-01-300	92697-01-296	
4	* Canopy Trim Ring	1	84512-01-298	84512-01-282	84512-01-300	84512-01-296	
7	Hanger Pipe Assembly	1	74229-03-298	74229-03-282	74229-03-300	74229-03-296	
47	Screw, Blade Iron Armature	11	63755-05-232	63755-05-232	63755-05-232	63755-05-232	
28	Switch/Housing Assembly	1	93519-26-000	93519-20-000	93519-27-000	93519-25-000	
31	* Switch Housing, Lower	1	93599-02-298	93599-02-282	93599-02-300	93599-02-296	
30	* Switch Housing, Upper	1	84934-01-298	84934-01-282	84934-01-300	84934-01-296	
22	* Fan Pull Chain Switch	1	63784-03-000	63784-01-000	63784-01-000	63784-01-000	
77	Light Pull Chain Switch	1	08183-03-247	08183-03-232	08183-03-300	08183-03-133	
28	* Break Away Connector	2	73384-02-000	73384-01-000	73384-01-000	73384-01-000	
32	* Reversing Switch	1	64302-01-000	64302-02-000	64302-02-000	64302-02-000	
83	* Reversing Switch Screw	2	03492-01-247	03492-01-232	03492-01-232	03492-01-133	
34	* Capacitor - Start	1	74132-05-000	74132-05-000	74132-05-000	74132-05-000	
35	* Capacitor - Speed	1	74133-05-000	74133-05-000	74133-05-000	74133-05-000	
145	Globe Fitter	4	74180-01-298	74180-01-282	74180-01-300	74180-01-296	
135	Lamp Holder Assembly	4	64018-01-000	64018-01-000	64018-01-000	64018-01-000	
164	Lamp Holder Assy Screw	4	06504-01-000	06504-01-000	06504-01-000	06504-01-000	
167	Socket Bracket	4	64017-03-000	64017-03-000	64017-03-000	64017-03-000	
156	Thumb Screw	13	03077-08-247	03077-08-232	03077-08-232	03077-08-133	
33	* Plug Connector - Female	1	64020-01-000	64020-01-000	64020-01-000	64020-01-000	
179	* Light Plug Connector - Male	1	74242-01-000	74242-01-000	74242-01-000	74242-01-000	
182	* Light Plug Connector - Female	1	74243-01-000	74243-01-000	74243-01-000	74243-01-000	
67	* Assembly Screw	3	64555-02-247	64555-02-232	64555-02-232	64555-02-133	
133	* Pin, Female	7	07636-02-000	07636-02-000	07636-02-000	07636-02-000	
44	Blade Iron Set	1	92586-05-298	92586-05-282	92586-05-300	92586-05-296	
46	Blade Set	1	74296-87-000	74296-89-000	74296-90-000	74296-88-000	
60	* Hardware Kit	1	93720-00-860	93720-00-861	93720-00-862	93720-00-863	
62	Screw, Canopy	3	74510-04-298	74510-04-132	74510-04-300	74510-04-296	
63	Screw, LP Washer	3	74508-06-232	74508-06-232	74508-06-232	74508-06-232	
64	Screw, Wood	2	06512-01-000	06512-01-000	06512-01-000	06512-01-000	
65	Screw, Wood	2	03144-03-000	03144-03-000	03144-03-000	03144-03-000	
66	Grommet, Blade	16	05989-02-000	05989-02-000	05989-02-000	05989-02-000	
67	Screw, Blade Assembly	16	63730-01-000	63730-01-000	63730-01-000	63730-01-000	
68	Washer, Flat	4	06301-01-000	06301-01-000	06301-01-000	06301-01-000	
69	Screw, Machine, 6-32	4	74506-36-232	74506-36-132	74506-36-232	74506-36-132	
70	Wire Nut	4	05172-01-000	05172-01-000	05172-01-000	05172-01-000	
71	Mounting Isolator	2	74135-01-000	74135-01-000	74135-01-000	74135-01-000	
75	* Balancing Kit	1	07570-01-000	07570-01-000	07570-01-000	07570-01-000	
93	Trim Ring Instruction Sheet (English)	1	41394-01-000	41394-01-000	41394-01-000	41394-01-000	
94	Trim Ring Instruction Sheet (Spanish)	1	41394-02-000	41394-02-000	41394-02-000	41394-02-000	
81	* Warranty Card (English)	1	41187-01-000	41187-01-000	41187-01-000	41187-01-000	
82	* Warranty Card (Spanish)	1	41187-02-000	41187-02-000	41187-02-000	41187-02-000	
101	* Owners Manual (English)	1	41343-01-000	41343-01-000	41343-01-000	41343-01-000	
102	* Owners Manual (Spanish)	1	41343-02-000	41343-02-000	41343-02-000	41343-02-000	
120	* Site Prep Guide (English)	1	41278-01-000	41278-01-000	41278-01-000	41278-01-000	
121	* Site Prep Guide (Spanish)	1	41278-02-000	41278-02-000	41278-02-000	41278-02-000	



GUÍA DE PIEZAS

Use la Gua de Piezas de abajo para verificar que todas las piezas estn incluidas en la caja.

Si alguna pieza falta o est daada, llame al telefono 1-888-830-1326.

POR FAVOR NO DEVUELVA ESTE PRODUCTO A LA TIENDA DONDE LO COMPR.

Antes de instalar su ventilador, anote la informacin siguiente para sus archivos y asistencia con la garanta.

Nombre del modelo _____
 No. de catalogo _____
 No. de serie _____
 Fecha de compra _____
 Lugar donde se compró _____

Si alguna pieza falta o est rota:
Llame al telefono 1-888-830-1326

- Si el ventilador no funciona:**
1. Consulte la gua de localizacin de fallas en su manual de instrucciones.
 2. Llame a su centro local de servicio.
 3. Llame al telefono 901-248-2222 para obtener asistencia tcnica.

Para informaciones adicionales acerca de:
 Productos Hunter • Localizacin de fallas
 Localizacin de distribuidores
 Localizacin de centros de servicio
 Llame al telefono 1-800-448-6837
www.hunterfan.com



Hunter Fan Company
 2500 Frisco Avenue
 Memphis, TN 38114
www.hunterfan.com