

# User's Manual

## Warm 'N Cozy



 **Point A Technologies, Inc.**  
20957 Currier Road, Unit C,  
Walnut, CA 91789 U.S.A.

## TABLE OF CONTENTS

	Page
1. Safety Procedures and Precautions.....	3
2. Electrical Information.....	4
3. Product Description and Specification Sheet.....	5
4. Dimensional Drawing .....	6-7
5. Blanket Warmer Power Control Operation.....	8-10
6. Cleaning and Maintenance.....	11

# **1. SAFETY PROCEDURES AND PRECAUTIONS**

Knowledge of proper procedures is essential to the safe operation of electrically energized equipment. It is important to follow these safety guidelines and be in accordance with generally accepted product safety labeling guidelines for potential hazards. Warning symbols and signal words have been placed throughout the product.

1. Blanket warmers are intended for warming blankets ONLY. This device is not intended for any other purposes, and is not recommended for other use.
2. This device is intended for use in commercial establishments where all operators are familiar with the device's purpose, operation, limitation, and associated hazards. Operating instructions and warnings should be read and understood by all operators and users.
3. Any troubleshooting guides, component views, and parts lists included in this manual are for general reference only and are intended for use by qualified technical personnel.
4. This manual should be considered a permanent part of this device. This manual and all supplied instructions, diagrams, schematics, parts lists, notices, and labels must remain with the device if the device is to be sold or moved to another location.
5. CAUTION: This device should ALWAYS have 1 inch of clearance on all sides in order to prevent overheating.

Warm N' Cozy Blanket Warmers should not be left unattended for periods of longer than 24 hours. In case of absences longer than 24 hours, disconnect the warmer from its power source to avoid any technical difficulties.

<b>CAUTION</b>	Used to indicate the presence of a hazard that can or will cause minor personal injury, property damage, or a potential unsafe practice if the warning included with this symbol is ignored.
----------------	--

<b>NOTE</b>
the warmers should not be left unattended for periods of more than 24 hours. In case of absences longer than 24 hours, disconnect the warmer from its power source.

<b>NOTE:</b>	Used to notify personnel of installation, operation, or maintenance information that is important but not hazard related.
--------------	---

## 2. Electrical Information

### POWER REQUIREMENTS - KZ-210

120 V.A.C. — 60 Hz, 1 ph  
500 Watts, 4 Amps  
Safety Class I Equipment



NEMA 5-15P  
15A - 125V Plug  
Hospital Grade

### POWER REQUIREMENTS - KZ-710

120 V.A.C. — 60 Hz, 1 ph  
1000 Watts, 8 Amps  
Safety Class I Equipment



NEMA 5-15P  
15A - 125V Plug  
Hospital Grade

### POWER REQUIREMENTS - KZ-1400

120 V.A.C. — 60 Hz, 1 ph  
1500 Watts, 12 Amps  
Safety Class I Equipment



NEMA 5-15P  
15A - 125V Plug  
Hospital Grade

<b>DANGER</b>	
	AT NO TIME SHOULD THE INTERIOR OR EXTERIOR BE STEAM CLEANED, HOSED DOWN, OR FLOODED WITH WATER OR LIQUID SOLUTION OF ANY KIND. DO NOT USE WATER JET TO CLEAN.
	<b>SEVERE DAMAGE OR ELECTRICAL HAZARD COULD RESULT.</b> WARRANTY BECOMES VOID IF APPLIANCE IS FLOODED

Hazardous Voltage Present	
<b>DANGER</b>	
	ENSURE POWER SOURCE MATCHES VOLTAGE STAMPED ON APPLIANCE NAMEPLATE.

Grounding reliability can only be achieved when equipment is connected to an equivalent receptacle marked "Hospital Grade". Medical Equipment classified by Underwriters Laboratories with respect to electric shock, Fire and mechanical hazards only, in accordance with UL 60601-1 and CAN/CSA C22 2 No 601.1.



Protective Earth  
Ground Symbol



UL File No.: E363270

### **3. Description and Specification Sheet**

#### **KZ-210**



Model KZ-210

Desk-Top Type

Interior Capacity: 2.1ft<sup>3</sup> (0.07 m<sup>3</sup>)

Blanket Capacity: Holds 7 blankets

Dimensions - Outer: 16"W x 24"D x 20"H with legs

Dimensions - Inner: 13"W x 21"D x 13"H

Weight – Net : 70 LBS (32 Kg)

Weight – Shipping : 75 LBS (34 Kg)

#### **KZ-710**



Model KZ-710

With 4" Casters

Interior Capacity: 7.1ft<sup>3</sup> (0.21 m<sup>3</sup>)

Blanket Capacity: Holds 25 blankets

Dimensions Outer: 22"W x 29"D x 39"H with casters

Dimensions Inner: 19"W x 25"D x 26"H

Weight – Net : 170 LBS (77 Kg)

Weight – Shipping : 180 LBS (82 Kg)

#### **KZ-1400**



Model KZ-1400

Double Compartment Warmer

Double Doors

With 4" Casters

Interior Capacity: 14ft<sup>3</sup> (0.42 m<sup>3</sup>)

Blanket Capacity: Holds 50 blankets

Dimensions Outer: 22"W x 28"D x 69"H with casters

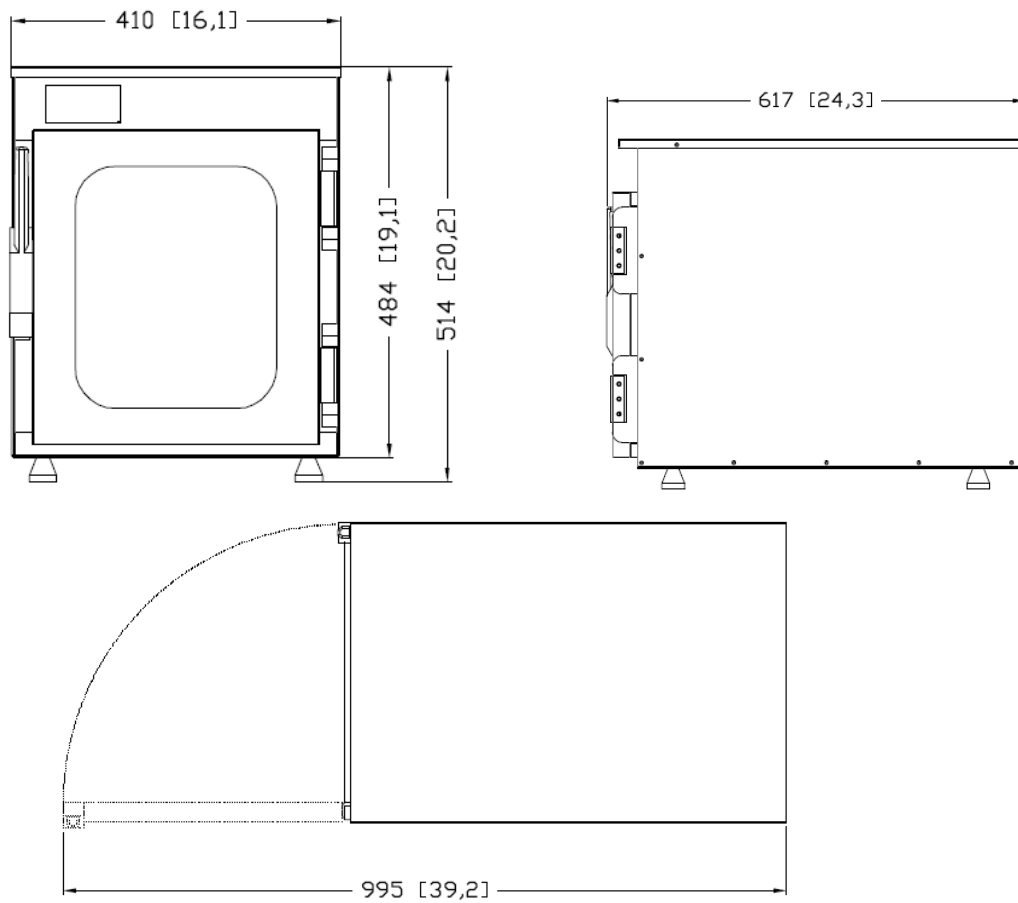
Dimensions Inner: 19"W x 25"D x 52"H

Weight – Net : 350 LBS (159 Kg)

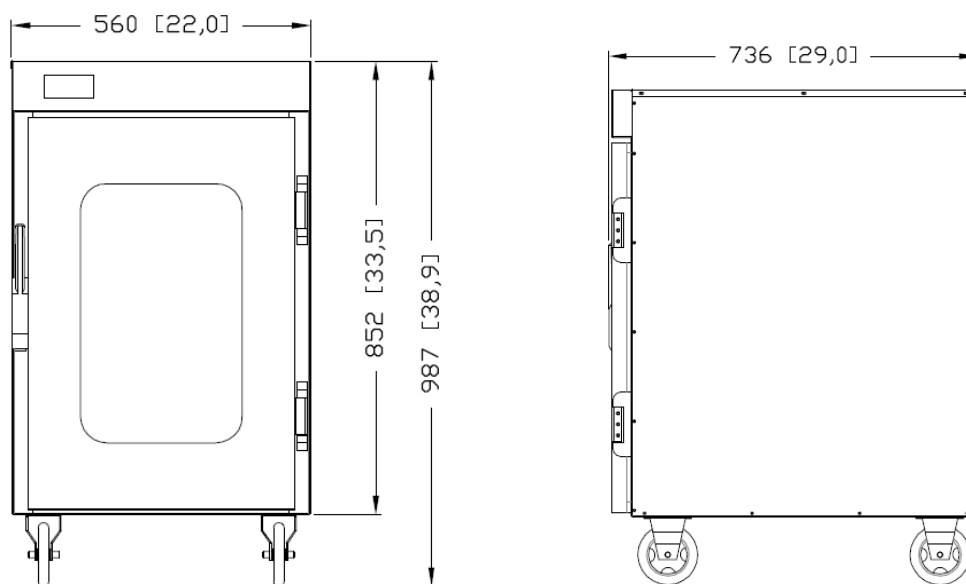
Weight – Shipping : 370 LBS (168 Kg)

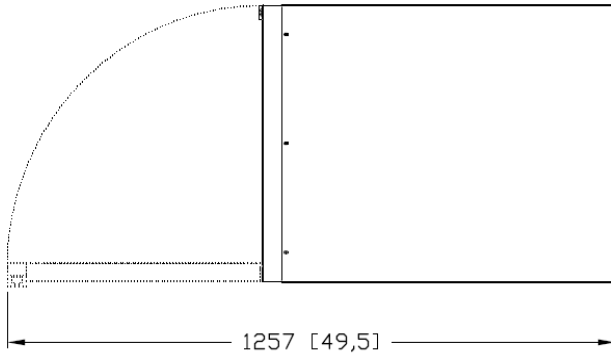
# 4. Dimensional Drawing

## KZ-210

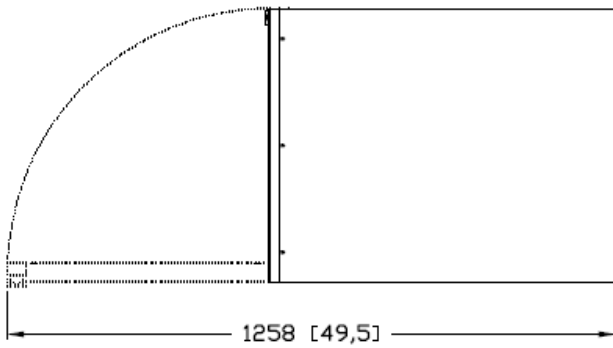
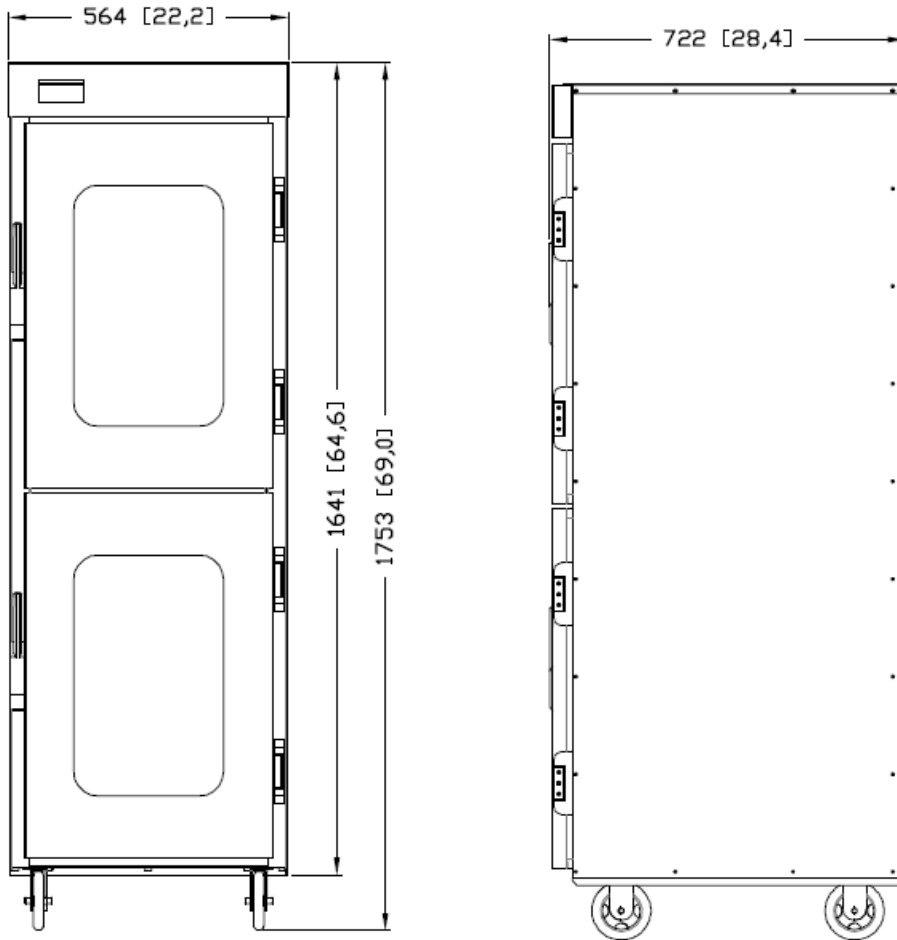


## KZ-710

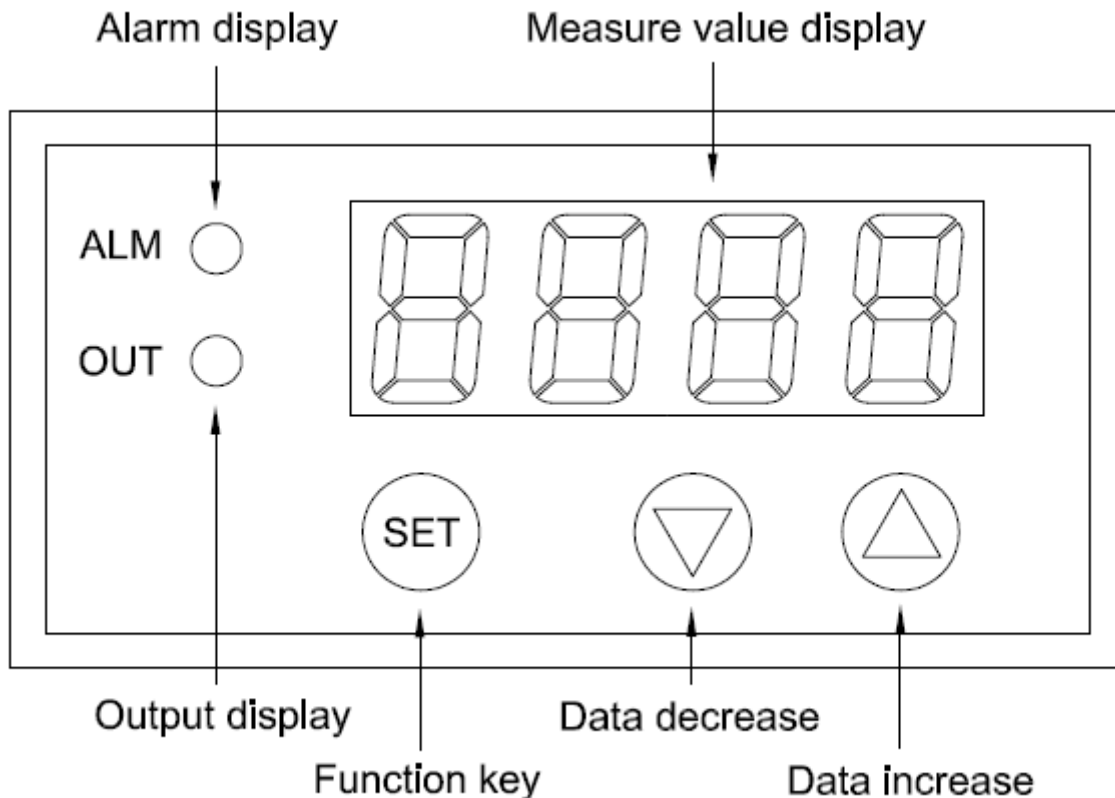




## KZ-1400



## 5. Blanket Warmer Power Control Operation



### Power Control

1. Turn on the blanket warmer by plugging the device into an electrical outlet (make sure the electricity settings of your local outlet matches the settings of this device).
2. Use the circuit breaker switch, which is located on the BACK PANEL of the blanket warmer to turn unit on and off.
  - 2.1. Turn the switch to the RESET option to turn the blanket warmer ON.
  - 2.2. Turn the switch to the OFF setting to turn the blanket warmer OFF.
3. **WARNING:** always turn the device off via the circuit breaker switch before unplugging the device.

### Temperature Control

1. The Factory default temperature is set to 130 degrees Fahrenheit.
  - 1.1. After plugging in the blanket warmer and turning the device on, please wait about 30 minutes for it to fully heat up.
2. To change the temperature of the device, PRESS and HOLD the up or down arrow button for about 2 – 3 seconds. Then select the desired temperature setting by pushing the up or down arrows to increase or decrease the temperature.



3. Once a desired temperature has been selected, push the SET button to save the temperature selection
  - 3.1. If the SET button is not pushed the device will automatically revert to the previous temperature setting.
  - 3.2. The device will require 20-30 minutes to fully heat up or cool down to the newly selected temperature.
4. The "Out" light will flash until the temperature inside the unit reaches the temperature set on the power control.
5. The actual temperature may deviate up to 20 degrees F ( 12 degrees C) above or below the actual set temperature.

### Changing from Fahrenheit to Celsius

1. Factory settings are set to Fahrenheit.
2. To change from Fahrenheit to Celsius, access the 2<sup>nd</sup> menu by PRESSING and HOLDING the up arrow and the SET buttons SIMULTANEOUSLY for about 2-3 seconds.
3. On the LED screen LoC and 0 should be flashing consecutively.
4. Press the SET button 5 times until CF and F flash on the screen consecutively.
5. To change from Fahrenheit to Celsius, press the down button once. To change from Celsius to Fahrenheit press the up button once.
6. Once the selection has been made, wait another 20 seconds for the LED screen to return to the actual temperature display again or press SET another 2 times.
7. **WARNING:** Once the temperature has been changed from Fahrenheit to Celsius or vice versa, only the actual temperature display will have been calibrated to the new temperature setting. The target temperature and alarm temperature must be calibrated via the arrows buttons to match the new temperature setting.
  - 7.1. Example: the target temperature has been set to 120 degrees F, the alarm temperature at 130 degrees F, and the actual temperature displays 105 degrees F. If I were to change from F to C, then only the actual temperature display will change from F to C. I would have to change the target and alarm temperatures manually using the up and down arrow keys.

### Setting the Alarm

1. To set the alarm PRESS and HOLD the SET button for 2 - 3 seconds to access the first menu. AL and a number should be flashing consecutively on the LED screen.
2. Press the up or down arrow keys to adjust the alarm temperature.
  - 2.1. NOTE: the alarm light will go off only when the actual temperature goes ABOVE the alarm temperature that was set.
3. Once an alarm temperature has been selected, press the SET button another 9 times or wait another 20 seconds to exit the menu. The LED display will then show the actual temperature again.
4. **WARNING:** setting the alarm temperature will NOT set the target temperature.

### **Calibrating the Thermometer**

1. If for whatever reason, the actual temperature display does not show the correct temperature (please note the accuracy of the temperature), the internal thermometer can be calibrated accordingly.
2. To calibrate the thermometer, PRESS and HOLD the SET button for 2-3 seconds to access the first menu.
3. Press SET once more to get to the calibration setup. "SC" and a number should be flashing consecutively on the LED screen.
4. Press the up or down arrow keys to calibrate the thermometer (holding either arrow key down will allow the number to dial faster).
5. The calibration range will be from -50.0 to +50.0.
6. Once a desired calibrations editing has been chosen, press the SET button 8 times or wait 20 seconds to exit the menu and return to the actual temperature display.

### **Attention/Error Codes**

HH or LL flashing on the panel means that the device has a sensor error. Should the panel display HH or LL, use the circuit breaker switch on the back panel to turn the power off. Turn the switch to the OFF setting and leave the device powered off for at least 1 minute before restarting the device. Restarting the device should solve the issue.

## **6. Cleaning and Maintenance**

### **Cleaning**

1. Use non-abrasive cleaning products designed for use on stainless steel surfaces. When looking for a cleaning agent for the stainless steel surfaces:
  - 1.1. **DO NOT** use chloride compounds, quaternary salts, hydrochloric acids (muriatic acids).
2. Use soft and clean cloths to clean the stainless steel surfaces. If more aggressive methods of cleaning are needed, use a non-abrasive scouring pad and make certain to scrub with the visible grain of surface metal to avoid surface scratches.
  - 2.1. **DO NOT** use wire brushes, scrapers, or metal scouring pads. These will damage the stainless steel surface.

### **Cleaning Protocol**

1. Always remember to clean the unit regularly, as this will preserve the stainless steel surface.
2. **NOTE:** Disconnect the device from the power source before cleaning the product.
3. Remove all detachable parts such as the blanket shelf and support assembly. Clean these items separately.
4. Clean the interior metal surfaces with a damp cloth and any mild commercial detergent. As stated before, avoid using abrasive cleaning compounds. Rinse surfaces by wiping with a sponge and clean, warm water. Remove excess water with a dry and clean cloth. Leave doors until the interior of the device is completely dry.

**NOTE:** It is important to dry the device completely, as leftover water may cause oxidation, rust, and/or corrosion.
5. Interior can be wiped with a sanitizing solution after cleaning, rinsing, and drying. This solution should be approved for stainless steel surfaces.
6. The exterior of the cabinet should be cleaned with the same products that were used to clean the interior. Cleaning products should be for stainless steel.
7. Clean the window glass with any standard commercial glass cleaner.
8. Wipe the control panel, door vents, door handles, and door gaskets regularly, as these are areas that often harbor debris.
9. Always follow appropriate state or local health regulations regarding all applicable cleaning and sanitation requirements.

### **Preventative Maintenance**

1. Do not exceed the unit's designed blanket capacity.
2. Always inspect the condition of the plug and chord. Replace immediately if damaged, as they can cause electrical injury and/or damage.
3. Check the door gasket integrity. If there are tears or if the gasket is worn or loose, replace it. A damaged gasket will allow heat to escape from the interior. Always make sure the seal is tight to the unit body.
4. Inspect the air temperature sensor mount in the interior chamber. Make sure the metal guard is in place and the wires are in working condition.
5. Check the following for maintenance: the support/shelf assembly and make sure pieces are not broken or missing, baskets move smoothly and freely along the railing, mounting bolts and the caster/legs of the device are secure, and the control panel overlay condition. If there is excessive wear on the LED panel or if the buttons fail to work, replace immediately.

Manufacturer

 **Point A Technologies, Inc.**

Address : 20957 Currier Road, Unit C,  
Walnut CA 91789 U.S.A.

Tel : 909-869-8949

Fax : 909-869-8959

Tech. Support Line : 866-3POINTA(376-4682)

E-mail : [info@pointatech.com](mailto:info@pointatech.com)

Web-Site : [www.pointatech.com](http://www.pointatech.com)  
[www.warmncozy.com](http://www.warmncozy.com)