



## LCD0821



*User Manual*

# Table of Contents

<b>1. Introduction.....</b>	<b>4</b>
1.1 What it Does.....	4
1.2 What it Does Not Do .....	4
1.3 Setup for Testing .....	4
1.4 Trying Out your LCD0821 .....	5
<b>2. Connections and Configuration.....</b>	<b>7</b>
2.1 Connector Pinout .....	7
2.1.1 Power and I <sup>2</sup> C Connections .....	7
2.1.2 RS-232 Communications .....	9
2.1.3 Applying Power via the RS-232 Connector.....	10
2.1.4 Configuring RS-232 and I <sup>2</sup> C.....	10
2.1.5 I <sup>2</sup> C Communications.....	11
2.2 General Purpose Output.....	12
<b>3. Displaying Text.....</b>	<b>14</b>
3.1 General .....	14
3.2 The Built-In Character Font.....	14
3.3 Writing Text to the Display .....	15
3.4 Text Commands.....	15
<b>4. Bar Graphs and Special Characters .....</b>	<b>17</b>
4.1 Command List .....	17
<b>5. Miscellaneous Commands .....</b>	<b>20</b>
5.1 Command List .....	20
<b>6. Appendix: Command Summary .....</b>	<b>22</b>
6.1 General .....	22
6.2 Issuing Commands.....	22
6.3 On Numbers.....	22
6.3.1 ASCII Characters.....	23
6.4 Text Commands.....	23
6.5 Bar Graphs and Special Characters .....	24
6.6 Miscellaneous Commands .....	25
<b>7. Appendix: Specifications and Options.....</b>	<b>26</b>
7.1 Specifications.....	26
7.2 Options .....	27
<b>8. Appendix: Glossary.....</b>	<b>28</b>

## Revisions

**1. New PCB. Aug 2002**

With TTL select.

# 1. Introduction

Your LCD0821 has the following features:

- 8 column by 2 line text display
- Built-in font with provision for up to 8 user-defined characters
- Speeds from 1200 bps to a lightning fast 19.2 Kbps over RS-232
- Communicate over RS-232 or I<sup>2</sup>C
- Use up to 16 modules on the same 2-wire I<sup>2</sup>C interface
- Software controlled contrast
- Backlight with configurable time-out setting up to 180 minutes
- One general purpose output for a variety of applications
- Horizontal or Vertical bar graphs
- Variable power options, +5V or +7V to +15V
- Extended temperature option.

## 1.1 What it Does

The LCD0821 is designed as the display unit for an associated controller. The controller may be anything from a single board, special purpose microcontroller to a PC, depending on the application. This controller is responsible for what you see on the screen of the LCD0821.

The LCD0821 provides a simple command structure to allow text and bar graphs to be displayed on the screen. Text fonts are built in, and use standard ASCII mapping. Provision is made for up to 8 user-defined characters.

The screen is backlit for low-light situations. Backlighting may be turned on or off under program control. Contrast is adjustable to compensate for differing lighting conditions and viewing angles.

A general purpose output allows the controller to switch an electronic or electro-mechanical device by issuing commands to the display unit. This can be used for controlling LEDs, relays, etc.

## 1.2 What it Does Not Do

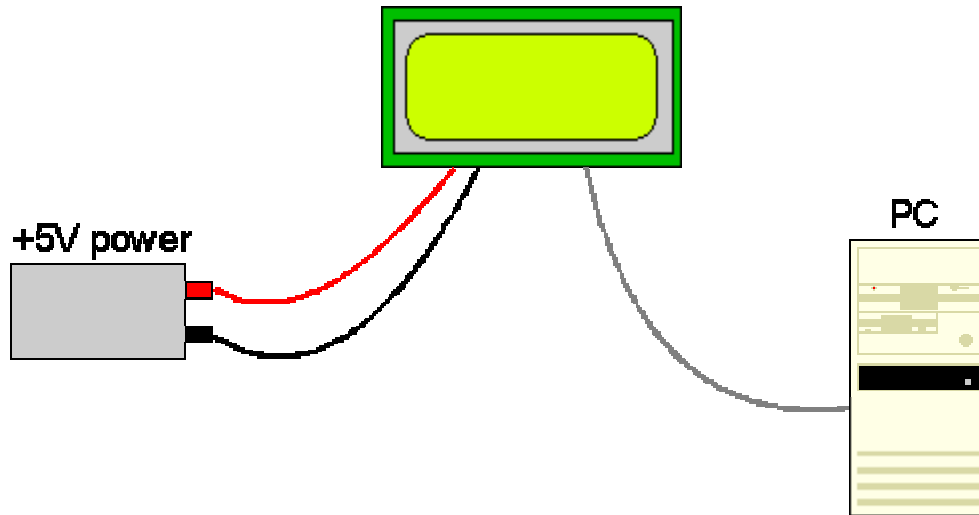
The LCD0821 does not include bitmap graphics capability, except that permitted by defining special characters. The LCD0821 does not include a keypad interface.

## 1.3 Setup for Testing

Before setting up your application you may want to try out the LCD0821. This is easily done with a PC. Here's what you'll need:

- A power cable with a 4 pin connector (same connector as used to connect a 3.5 inch floppy drive). Do not connect the LCD0821 to an unmodified spare power connector in a PC. To modify such a cable see section 2.1.1.
- A 5 V power supply (for wide voltage models an 8 – 15 V supply is required).
- a PC with a spare RS-232 port (COM1 or COM2).
- A modified 9 or 25 pin RS-232 serial cable.

*Figure 1-1 Connections for Testing*



1. Refer to the diagram above and Figure 2-1 for the following steps.
2. Wire the connector to the power supply. On most connectors the RED lead will go to +5V and the BLACK lead to GND. See Section 2.1.1 for details. **Note: The manufacturer's warranty is void if the unit is subjected to over-voltage or reversed polarity.**
3. Connect the LCD0821 to the PC using the serial cable and adapter if required. **Make sure the RS-232 cable includes the required ground lead. There must be no voltage differential between the RS-232 ground and the power supply ground.**
4. Connect the power connector, making sure that the +5V goes to V+ as shown in Figure 2-2. Turn on the power: the LCD backlight should come on and you should see a blinking cursor at the top left.

Now you're ready to try it out.

## 1.4 Trying Out your LCD0821

The unit is connected to power and the PC and the backlight is on. You're ready to make sure it's working properly. To experiment with typing text, run a PC terminal program, such as Hyperterm. Make sure it's configured to use the correct port. Set the baud rate to 19,200.

If you type characters on the keyboard, they should now appear on the LCD0821 screen. (It is normal for text to wrap from line 1 to line 3, then to line 2 then 4. See section 3.4.1). A few common ASCII control characters work as follows:

Character	Hex value	Function
LF	0x0A	Moves cursor to the beginning of the next (or previous) line.
FF	0x0C	Clears the display and puts the cursor at the top left
BS	0x08	Moves the cursor one position to the left and clears that position.

---

**Note: These command characters are not guaranteed to work on other Matrix Orbital display modules. If you want your code to be portable, use the appropriate commands listed later in the manual instead.**

---

If you want to exercise some of the other features of the LCD0821 you'll need to write a program (in any convenient language such as Basic or C) to issue the required command strings. Most terminal programs are

unable to issue the 0xFE character needed as a command prefix. You probably won't need to do this at the initial testing stage.

If you've reached this point and operation is normal, you can be confident that your LCD0821 works properly.

## 2. Connections and Configuration

### 2.1 Connector Pinout

Refer to the diagram below for this chapter.

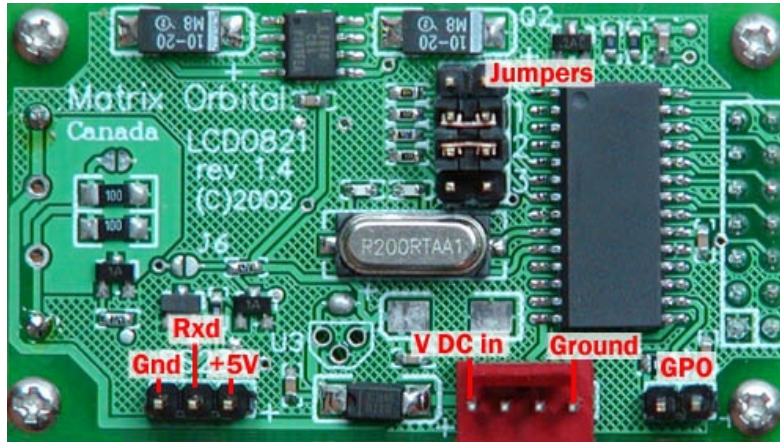


Figure 2-1 Electrical Connections

The LCD0821 has four connectors:

<u>Connector</u>	<u>Function</u>
2 pin header	General purpose output (see section 0)
4 pin	Power and I <sup>2</sup> C communications (see section 2.1.1)
3 pin header	RS-232/power (see section 2.1.3)
Jumpers	Sets RS232 speed and I2C address

#### 2.1.1 Power and I<sup>2</sup>C Connections

Power is applied via pins +5V OR Vin as shown in Figure 2-1. Power requirement for standard units is +5 VDC  $\pm$ 0.25V (units with the wide voltage range option require 8 – 15 VDC). Power may also be supplied via the RS-232 connector as described in section 2.1.3.

#### **Warning:**

- Do not apply any power with reversed polarization.
- Do not apply any voltage other than the specified voltage.
- Do not use any cables other than the cables supplied by Matrix Orbital, unless you are aware of the modifications required.
- Do not apply more than one type of power connector at one time

Connector pinout is as follows:

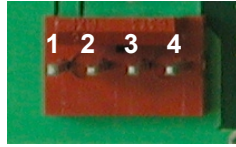


Figure 2-2 Power connector

- Pin 1 +5.0 VDC (+8 to +15 VDC with wide voltage option)
- Pin 2 SCL (I<sup>2</sup>C clock)
- Pin 3 SDA (I<sup>2</sup>C data)
- Pin 4 Ground

### 2.1.1.1 Five Volt Modules

If the LCD0821 is used in a PC it is tempting to plug a spare power connector into the unit. **Don't do this!** Wiring for the PC power connector and that required for the LCD0821 are different as shown in Figure 2-3 below.

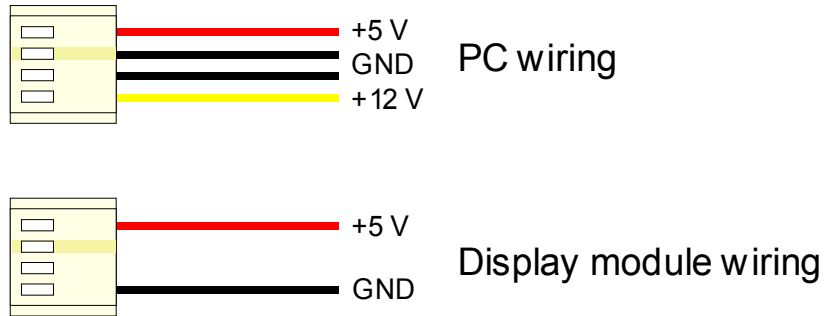


Figure 2-3 Power Connector wiring differences

If you don't want to modify cable wiring yourself, Matrix Orbital can supply an adapter cable designed to use with the LCD0821 when it's installed in a PC. The cable is wired as shown in Figure 2-4 below. Note that this cable does not provide connections for I<sup>2</sup>C.

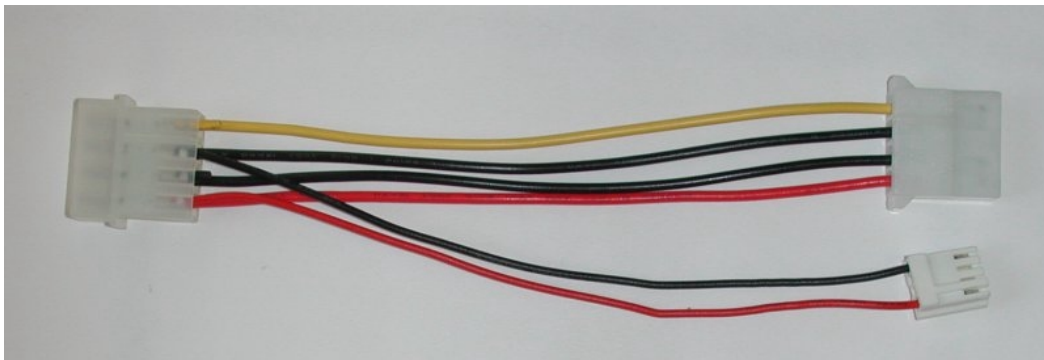


Figure 2-4 Five volt Power Cable



### 2.1.1.2 Wide Voltage Range Modules

Note: Do not use this cable unless your display module has the "wide voltage range" option (option V). Use of the 12 volt power cable with 5 volt modules will damage the module.

The 12 volt power cable is designed for use with wide voltage range display modules mounted in a PC. Wiring required for the 12 volt power connector is shown in Figure 2-5 below.

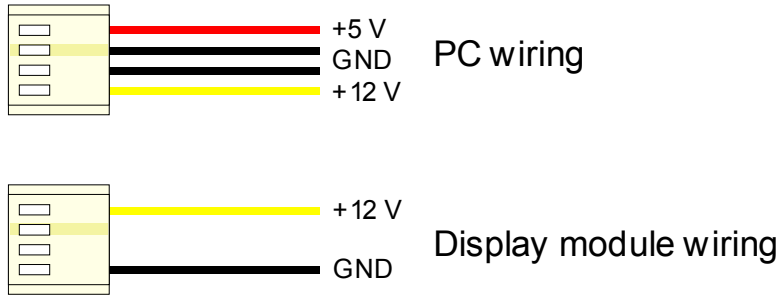


Figure 2-5 Wiring for 12 volt modules

If you don't want to modify cable wiring yourself, Matrix Orbital can supply an adapter cable designed to use with the display module when it's installed in a PC. The cable is wired as shown in Figure 2-6 below.

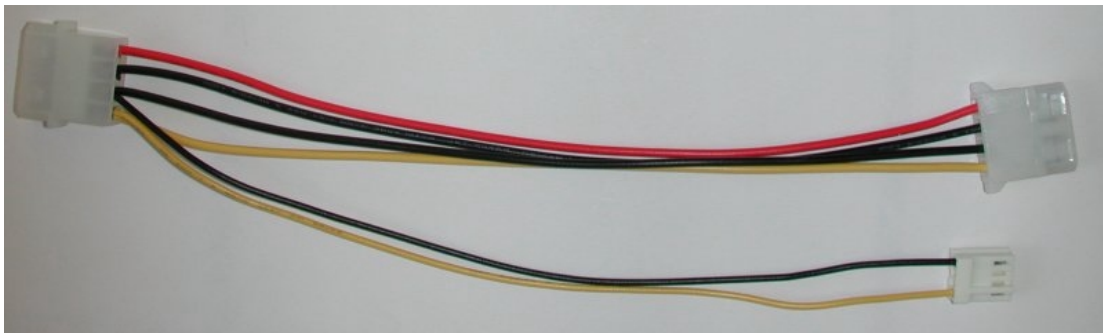


Figure 2-6 Twelve volt power cable

### 2.1.2 RS-232 Communications

#### 2.1.2.1 Connections

A 3 pin strip header is provided for RS-232 communications. Power may also be supplied via this connector if desired. See Figure 2-7 for pin connections.

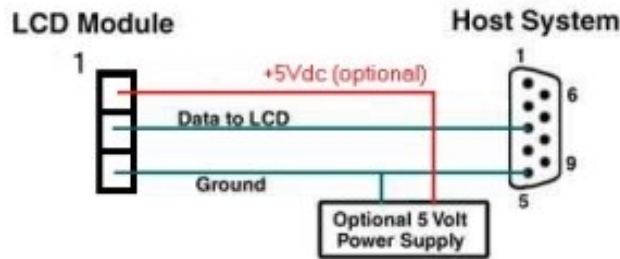


Figure 2-7 RS-232 and power connector

The RS-232 connector on the PC cable is wired so that a standard “straight through” serial cable may be used to connect the module to a standard serial port such as COM ports on PCs. Note that this device complies with the EIA232 standard in that it uses signal levels from  $\pm 3V$  to  $\pm 12V$ . It will not operate correctly at TTL (0 to +5V) levels.

Pin Number on LCD	Pin Number on Host	Direction	Description
1	N/A	-	+5Vdc
2	3	to LCD module	Data In
3	5	-	Ground

### 2.1.3 Applying Power via the RS-232 Connector

The power connector on the PC cable is wired as shown in Figure 2-7. Power may be provided to the module by pin 1 of the 3pin strip header connector instead of through the 4-pin SIP. If power is to be applied using the 3 pin strip header.

### 2.1.4 TTL Communications

The LCD0821 does not communicate with TTL by default, the following modification must be made:

Solder the jumper in the picture below:

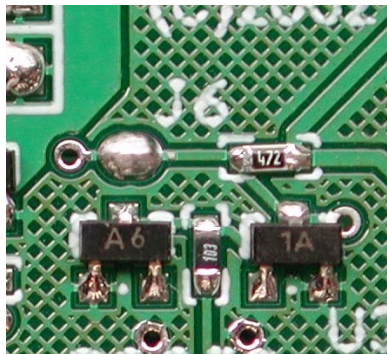


Figure 2-8 TTL modification

### 2.1.5 Configuring RS-232 and I<sup>2</sup>C

RS-232 baud rate and I<sup>2</sup>C address are configured by means of jumpers.



Figure 2-9 RS-232 jumpers

The module is supplied with jumpers J1 and J2 installed, which gives a RS-232 baud rate of 19200 and an I<sup>2</sup>C address of 0x5C.

- RS-232 port: J0, J1, J2 - control baud rate. RS-232 format is 8N1 (8 bits, no parity, one stop bit)
- I<sup>2</sup>C port: J0, J1, J2, J3 - sets slave peripheral address

Baud Rate	Slave Address	J3	J2	J1	J0
1200	50H	out	out	out	out
	52H	out	out	out	in
2400	54H	out	out	in	out
	56H	out	out	in	in
9600	58H	out	in	out	out
	5AH	out	in	out	in
19200	5CH	out	in	in	out
	5EH	out	in	in	in
1200	60H	in	out	out	out
	62H	in	out	out	in
2400	64H	in	out	in	out
	66H	in	out	in	in
9600	68H	in	in	out	out
	6AH	in	in	out	in
19200	6CH	in	in	in	out
	6EH	in	in	in	in

## 2.1.6 I<sup>2</sup>C Communications

I<sup>2</sup>C communications runs at 100 kbps and supports up to 16 units on a single communications line. The I<sup>2</sup>C data line operates on 5 volt CMOS levels.

The idea of ACK is to indicate when the data has been received correctly. ACK does not indicate data incorrectly received. ACK simply fails to indicate when data is correctly received. Clearly, this is of limited usefulness and even less so with Matrix Orbital modules. Matrix orbital modules are not capable of failing to acknowledge an incorrectly received byte in response to that bytes transition. They are only capable of failing to acknowledge the bytes following the byte, which was not received. To fully understand the reasons for this one needs to understand something about how a Matrix Orbital module processes data. Basically the reason why a Matrix Orbital module might fail to receive a byte correctly is that it was unable to process the byte previous before the failed byte was transmitted. Because the module cannot possibly know that it would be unable to store the byte before the next byte was received it cannot know to not ACK. The reason for this situation in deference to situations you might be familiar with (i.e. memory chips, etc...) is that the Matrix Orbital module employs a microprocessor to perform these data storage functions. A memory chip takes care of these things entirely with in hardware subsystems that operate at the same speed as the transmission themselves.

The LCD0821 uses a standard Phillips 7bit address as defined by Phillips. However, we at Matrix Orbital specify I<sup>2</sup>C address in 8bits. The 8<sup>th</sup> bit, least significant bit (LSB or Low Order Bit) of the 8bit address is read/write bit. If we take a standard Phillips 7bit address of 45hex this would be in binary 1000101. This is 7bits. If one adds the read write bit to this 7bit address and you assume that you are writing one gets 10001010. Matrix Orbital would describe the Philips I<sup>2</sup>C address of 45hex as 8Ahex. The read address would be 8Bhex.

For more information on Phillips I<sup>2</sup>C please visit...

<http://www.ping.be/~ping0751/i2cfaq/i2cindex.htm>

## 2.2 General Purpose Output

The LCD0821 has a general purpose output which can be used to control relays or other electronic devices. This allows external devices to be turned on or off using your PC or controller and software commands. (See sections 5.1.5 and 5.1.6 for the command syntax.)

The output is wired as shown in Figure 2-. The + terminal is connected to the module positive supply, the - terminal is connected through a 240 ohm current limiting resistor and the electronic switch to ground.

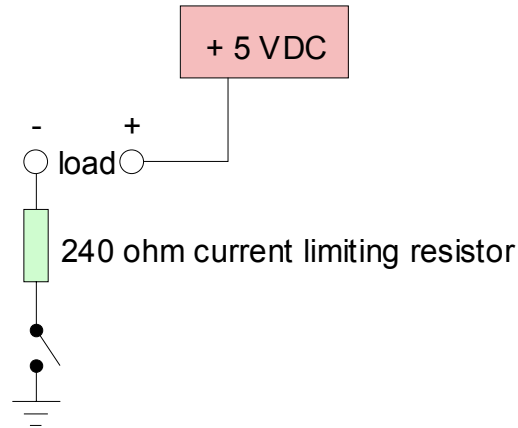


Figure 2-10 General Purpose Outputs

Maximum allowable current is 20 mA, which is enforced by the current limiting resistor. If the device being switched has a resistance of 240 ohms or more the corresponding resistor may be shorted. Solder a small jumper wire (wirewrap wire is good) between the two feedthrough holes as shown in Figure 2-11.

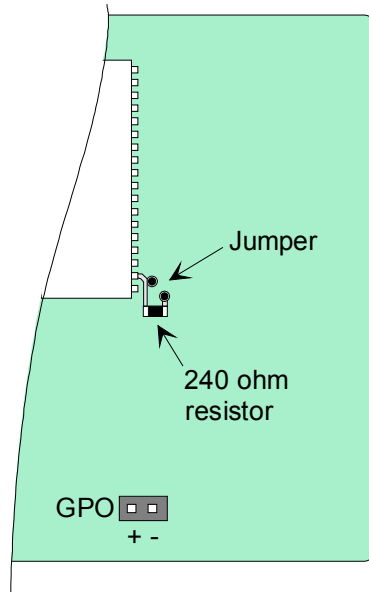


Figure 2-11 Bypassing 240 ohm resistor

---

Note: The GPOs do not have any over current or over/under voltage protection so care must be taken when using them. For instance if the external device is a relay it must be fully clamped (using a diode and capacitor – see Figure 2-) to absorb any generated back electro-motive force (EMF).

---

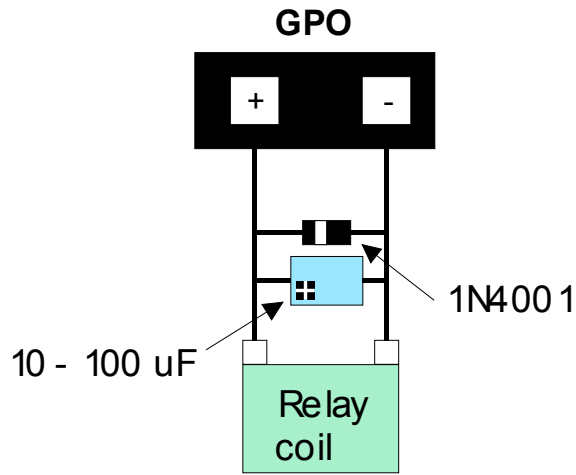


Figure 2-12 Clamping a Relay

### 3. Displaying Text

This chapter describes the various text-display commands in detail. A quick reference summary of all text commands is found in section 6.4.

#### 3.1 General

Text is displayed on the LCD0821 using the built-in 5 x 7 dot matrix font (plus up to 8 user-defined characters).

#### 3.2 The Built-In Character Font

The LCD0821 includes a built-in 5 x 7 dot matrix font with the full range of ASCII characters plus a variety of extended characters, as shown in Figure 3-1.

D7	0	0	0	0	0	0	0	1	1	1	1	1	1	1	1		
D6	0	0	0	0	1	1	1	1	0	0	0	0	1	1	1		
D5	0	0	1	1	0	0	1	1	0	0	1	1	0	0	1		
D4	0	1	0	1	0	1	0	1	0	1	0	1	0	1	0		
D3 D2 D1 D0	0	1	2	3	4	5	6	7	8	9	A	B	C	D	E	F	
0 0 0 0	0			0	0	P	\	P				-	7	E	0	P	
0 0 0 1	1		!	1	0	a	a				.	7	#	4	5	9	
0 0 1 0	2		"	2	B	R	b	r				「	イ	ツ	×	β	β
0 0 1 1	3		#	3	C	S	c	s				」	ウ	テ	E	e	α
0 1 0 0	4		\$	4	D	T	d	t				\	I	ト	†	H	h
0 1 0 1	5		%	5	E	U	e	u				.	7	†	1	0	0
0 1 1 0	6		&	6	F	V	f	v				7	0	2	3	P	Σ
0 1 1 1	7		'	7	G	W	g	w				7	†	又	7	α	π
1 0 0 0	8		(	8	H	X	h	x				4	0	2	U	J	又
1 0 0 1	9		)	9	I	Y	i	y				6	7	J	U	'	ε
1 0 1 0	A		*	:	J	Z	j	z				ε	コ	n	U	7	
1 0 1 1	B		+	;	K	[	k	[				α	7	E	0	°	α
1 1 0 0	C		.	<	L	#	l	l				ε	2	7	7	ε	α
1 1 0 1	D		-	=	M	^	m	^				ε	又	\	7	±	÷
1 1 1 0	E		.	>	N	^	n	^				ε	E	7	'	n	
1 1 1 1	F		/	?	0	_	o	←				w	7	7	°	0	■

Figure 3-1 Character Set

In addition to the built-in characters, users may define up to 8 special characters (which, once defined, occupy positions 0x00 to 0x07 in the above chart). The LCD0821 does not have provision to download other fonts.

### 3.3 Writing Text to the Display

When the display receives a character, it displays that character at the position currently defined. The next character sent to the module then advances to the following position on the display. Characters are drawn using the built-in font, and only characters defined in the font are actually displayed. Characters that are not defined by the built-in font print as a space (i.e. the cursor is advanced for the next character).

The position where text is to be inserted is a character location stored in the LCD0821's volatile memory and maintained internally by the LCD0821's firmware. This position is manipulated by the commands shown in the following section.

### 3.4 Text Commands

In this section commands are identified by their names and decimal values. Hex and ASCII equivalents are given in the summary (Table 6-1). **Before issuing commands to the LCD0821 please read sections 6.2 and 6.3.**

#### 3.4.1 Auto line wrap on (254 67)

Enables automatic line wrapping. Note that this is not "word wrapping" and wraps may occur in the middle of a word. Note that if auto line wrap and auto scroll are both off (default) text will wrap from line 1 to line 3 then 2 then 4. **Default is OFF.**

#### 3.4.2 Auto line wrap off (254 68)

Disables automatic line wrapping.

#### 3.4.3 Auto scroll on (254 81)

When auto scrolling is on, it causes the LCD0821 to shift the entire display's contents up to make room for a new line of text when the text reaches the scroll position (the bottom right character position). **Default is OFF.**

#### 3.4.4 Auto scroll off (254 82)

When auto scrolling is disabled, text will wrap to the top left corner of the display area instead of scrolling. Existing text in the display area is not erased before new text is placed. A series of "spaces" followed by a Cursor Home command may be used to erase the top line of text.

#### 3.4.5 Set cursor position (254 71 [column] [row])

This command sets the cursor position (text insertion point) to the [column] and [row] specified. Columns have values from 1 to 20 (0x01 to 0x14) and rows have values of 1 to 4 (0x01 to 0x04).

#### 3.4.6 Send cursor home (254 72)

This command moves the cursor position (text insertion point) to the top left of the display area.

### 3.4.7 Turn on underline cursor (254 74)

Turns on the underline cursor. The cursor shows the current text insertion point. Both underline and blinking cursors may be turned on or off independently. **The underline cursor is OFF by default.**

### 3.4.8 Turn off underline cursor (254 75)

Turns off the underline cursor. Does not affect the blinking block cursor.

### 3.4.9 Turn on block (blinking) cursor (254 83)

Turns on the blinking block cursor. The cursor shows the current text insertion point. Both blinking and underline cursors may be turned on or off independently. **The block cursor is ON by default.**

### 3.4.10 Turn off block (blinking) cursor (254 84)

Turns off the blinking block cursor. Does not affect the underline cursor.

### 3.4.11 Cursor left (254 76)

Moves the cursor one position to the left but does not erase any character that may be in that position. Note that this command moves the text insertion point even if the cursor is turned off.

---

Note: A "destructive backspace", which erases the character to the left of the original position, may be done by issuing the following sequence: cursor left, space, cursor left.

---

### 3.4.12 Cursor right (254 77)

Moves the cursor one position to the right but does not erase any character that may be in that position. Note that this command moves the text insertion point even if the cursor is turned off.



## 4. Bar Graphs and Special Characters

The LCD0821 includes the ability to draw bar graphs (either horizontal or vertical), large numbers, and allows users to define up to eight special characters. **Before issuing commands to the LCD0821 please read sections 6.2 and 6.3.**

Eight characters (ASCII values 0x00 to 0x07) are set aside for use with bar graphs, user defined characters, and large digits. **Since the same 8 characters are used for each function, the functions may not be used simultaneously.** The characters may be defined or redefined at any time by issuing the commands shown in this section. Once defined, they may be used either by means of the bar graph commands, or by simply issuing one of the ASCII values 0x00 to 0x07 (which is not prefixed by the command byte, 254).

### 4.1 Command List

#### 4.1.1 Initialize wide vertical bar graph (254 118)

This command defines the 8 special/user characters to be blocks suitable for use in drawing wide (5 pixel) vertical bar graphs. Any previously existing definitions will be lost. Once this command has been issued, any number of vertical bar graphs may be drawn unless the characters are redefined by another command.

#### 4.1.2 Initialize narrow vertical bar graph (254 115)

This command defines the 8 special/user characters to be blocks suitable for use in drawing narrow (2 pixel) vertical bar graphs. Any previously existing definitions will be lost. Once this command has been issued, any number of vertical bar graphs may be drawn unless the characters are redefined by another command.

#### 4.1.3 Draw vertical bar graph (254 61 [column] [height])

Draws a vertical bar graph in [column] having a height of [height] pixels. The height may range from 0 to 32 (0x00 to 0x20) pixels. The necessary characters must first be initialized by either of the commands shown in section 4.1.1 or 4.1.2, which will determine the width of the graph drawn. Graph may be erased by drawing a bar graph of height = 0 in the same column.

#### 4.1.4 Initialize horizontal bar graph (254 104)

This command defines the 8 special/user characters to be blocks suitable for use in drawing horizontal bar graphs. Any previously existing definitions will be lost. Once this command has been issued, any number of horizontal bar graphs may be drawn unless the characters are redefined by another command.

#### 4.1.5 Draw horizontal bar graph (254 124 [column] [row] [dir] [length])

Draws a horizontal bar graph in [row] starting at [column] with a length of [length] pixels. [row] may have a value of 0x01 to 0x04, column may range from 0x01 to 0x14 (0 to 20) and length may be from 0x00 to 0x64 (0 to 100) if the graph can extend the full width of the screen. Each column is 5 pixels wide (spaces between the columns don't count).

[dir] specifies the direction: 0x00 goes from left to right, 0x01 goes from right to left.

#### 4.1.6 Define custom character (254 78 [c] [8 bytes])

The LCD0821 allows up to 8 user defined (custom) characters. These characters occupy the first 8 (0x00 to 0x07) places in the character set (see Figure 3-1).

Custom characters occupy a 5 x 8 pixel matrix. Built-in characters are 5 x 7: the bottom row of pixels is normally reserved for the underline cursor. The underline cursor should be turned off if the bottom row of pixels forms part of a custom character.

The characters are defined by issuing the command 254 78 [c] followed by 8 bytes to define the character. [c] is the character number (0x00 to 0x07). The 8 bytes are mapped as shown below:

MSB			LSB					
*	*	*	1	2	3	4	5	Data Byte 1
*	*	*	6	7	8	9	10	Data Byte 2
*	*	*	11	12	13	14	15	Data Byte 3
*	*	*	16	17	18	19	20	Data Byte 4
*	*	*	21	22	23	24	25	Data Byte 5
*	*	*	26	27	28	29	30	Data Byte 6
*	*	*	31	32	33	34	35	Data Byte 7
*	*	*	36	37	38	39	40	Data Byte 8

A "1" bit indicates an on (black) pixel, a "0" bit indicates an off (clear) pixel.

Once defined, a character is displayed simply by issuing a value (0x00 to 0x07) corresponding to the character number. The character will be laid out as follows:

1	2	3	4	5
6	7	8	9	10
11	12	13	14	15
16	17	18	19	20
21	22	23	24	25
26	27	28	29	30
31	32	33	34	35
36	37	38	39	40
Cursor Line				

---

Note: Custom characters will be erased if either the "initialize bar graph" or "initialize large digits" commands are issued.

---

## 5. Miscellaneous Commands

The commands listed in this chapter don't readily fit in any of the other categories, or are used in more than one category. **Before issuing commands to the LCD0821 please read sections 6.2 and 6.3.**

### 5.1 Command List

#### 5.1.1 Clear display (254 88)

This command clears the display and resets the text insertion point to the top left of the screen.

#### 5.1.2 Set contrast (254 80 [contrast])

This command sets the display's contrast to [contrast], where [contrast] is a value between 0x00 and 0xFF (between 0 and 255). Lower values cause "on" elements in the display area to appear lighter, while higher values cause "on" elements to appear darker.

Lighting conditions will affect the actual value used for optimal viewing. Individual LCD0821 modules will also differ slightly from each other in appearance. In addition, values for optimal viewing while the LCD0821 backlight is on may differ from values used when backlight is off.

#### 5.1.3 Backlight on (254 66 [minutes])

This command turns on the backlight for a time of [minutes] minutes. If [minutes] is zero (0), the backlight will remain on indefinitely. Note: the factory default for backlight is on.

#### 5.1.4 Backlight off (254 70)

This command turns the backlight of the LCD0821 off.

#### 5.1.5 General purpose output on (254 86)

This command turns ON the General Purpose Output (see section 0 for a description of the GPOON means that the output is pulled low (ground via 240 ohms).

#### 5.1.6 General purpose output off (254 87)

This command turns ON the General Purpose Output. ). OFF means that the "-" side of the output floats.

### 5.1.7 5.1.7 Read module type (254 55)

This command will return, over the RS-232 interface, the model type value of the module. Values for various modules at the time of this publication are as follows:

<b>LCD0821 - 0x01</b>	LCD2021 - 0x03	LCD1641 - 0x04
LCD2041 - 0x05	LCD4021 - 0x06	LCD4041 - 0x07
LK202-25 - 0x08	LK204-25 - 0x09	LK404-55 - 0x0A
VFD2021 - 0x0B	VFD2041 - 0x0C	VFD4021 - 0x0D
VK202-25 - 0x0E	VK204-25 - 0x0F	GLC12232 - 0x10
GLC12864 - 0x11	GLC128128 - 0x12	GLC24064 - 0x13
GLK12864-25 - 0x14	GLK24064-25 - 0x15	GLK128128-25 - 0x21
GLK12232-25 - 0x22	LK404-AT - 0x31	VFD1621 - 0x32
LK402-12 - 0x33	LK162-12 - 0x34	LK204-25PC - 0x35

## 6. Appendix: Command Summary

### 6.1 General

The operation of the LCD0821 is controlled by a simple and consistent command set. Commands control

- text display
- graphics display
- miscellaneous operating parameters

This chapter includes summary tables of all commands. Individual commands are discussed in detail in Chapters 3 and 4 in the same sequence as in the following tables.

### 6.2 Issuing Commands

Commands are issued to the LCD0821 by the controller. In a test setup, commands can be issued to the LCD0821 by means of a BASIC program, using the chr\$( ) function. In the tables below, we've shown commands in hex, ASCII and decimal form. All commands begin with the prefix character 0xFE (254 decimal). These commands are issued on the serial communications link (I<sup>2</sup>C or RS-232) at the currently defined baud rate.

For example (using BASIC in a test setup), you could issue the command to clear the screen on the LCD0821 by including the line:

```
PRINT#1,chr$(254);chr$(88)
```

in your BASIC program.

### 6.3 On Numbers

Like all computerized devices, the LCD0821 operates with commands and values in the form of binary numbers. These binary numbers are arranged in 8 digit (i.e. 8 bit) groups called bytes. The decimal value of a byte may have any value from 0 to 255.

Bytes are usually specified in either decimal or hexadecimal (base 16) form for convenience, since binary numbers are confusing to deal with directly. Hexadecimal (hex) numbers are particularly convenient because exactly two hexadecimal digits make up one byte, each hex digit representing 4 binary digits (4 bits) as shown here:

Binary	Hex	Decimal	Binary	Hex	Decimal
0000	0	0	1000	8	8
0001	1	1	1001	9	9
0010	2	2	1010	A	10
0011	3	3	1011	B	11
0100	4	4	1100	C	12
0101	5	5	1101	D	13
0110	6	6	1110	E	14
0111	7	7	1111	F	15

Based on the table, the byte 01001011 can be represented in hex as 4B, which is usually written as any of 4Bh, 4BH, 4B hex or 0x4B.

The numbers can also be expressed in decimal form if preferred.

### 6.3.1 ASCII Characters

Since computers deal internally with numbers only, but externally with both letters and numbers, several schemes were developed to "map" written characters to numeric values. One such scheme has become universal, the American Standard Code for Information Interchange, or ASCII. ASCII tables are readily available from a number of sources. A few examples will do here:

The letter	A	has a value of	65 decimal or	41 hex
The letter	a	has a value of	97 decimal or	61 hex
The number	0	has a value of	48 decimal or	30 hex
The number	9	has a value of	57 decimal or	39 hex

This gives rise to the possibility of confusion when parameters are being set on the LCD0821. For example, the GPO ON and OFF commands use a number to indicate which GPO is being controlled. We're told that acceptable values are 0 to 6. **All such parameters must use numeric values (i.e. the actual byte values).** If we send the ASCII number 0 by mistake it will actually give the value 48 decimal (30 hex) to the parameter, which is wrong. In the tables given in the following sections ASCII characters are shown as 'A', with single quotes.

## 6.4 Text Commands

See Chapter 3 for command descriptions. Syntax in the tables below is given in hex, decimal and decimal with ASCII, in that order, one per line.

Table 6-1 Text Commands

Command	Syntax	Default	Notes
Auto line wrap on	FE 43 254 67 254 'C'	off	Enables line wrapping (not word wrap).
Auto line wrap off	FE 44 254 68 254 'D'	off	Disables line wrapping.
Auto scroll on	FE 51 254 81 254 'Q'	off	Enables scroll at bottom of screen. Text will push display up one line to make room for new line.
Auto scroll off	FE 52 254 82 254 'R'	off	Disables auto scroll. Text will wrap to top left and overwrite existing text.
Set cursor position	FE 47 [col] [row] 254 71 [col] [row] 254 'G' [col] [row]	n/a	Moves cursor to the specified column and row. <b>The cursor marks the text insertion point in this and all commands.</b>
Send cursor home	FE 48 254 72 254 'H'		This command moves the cursor to the top left of the display area.
Underline cursor on	FE 4A 254 74 254 'J'	off	Turns on the underline cursor.

Command	Syntax	Default	Notes
Underline cursor off	FE 4B 254 75 254 'K'	R	Turns off the underline cursor.
Block cursor on	FE 53 254 83 254 'S'	on	Turns on the blinking block cursor.
Block cursor off	FE 54 254 84 254 'T'		Turns off the blinking block cursor.
Cursor left	FE 4C 254 76 254 'L'		Moves the cursor one position to the left. If the cursor is already at the beginning of a line it will move to the end of the other line.
Cursor right	FE 4D 254 77 254 'M'		Moves the cursor one position to the right. If the cursor is already at the end of a line it will move to the beginning of the other line.

## 6.5 Bar Graphs and Special Characters

The commands in this section are used to define and display bar graphs and special characters.

*Table 6-2 Bar Graph and Special Character Commands*

Command	Syntax	Notes
Initialize thick vertical bar graph	FE 76 254 118 254 'v'	Initializes the user character set to make wide vertical bar graphs.
Initialize thin vertical bar graph	FE 73 254 115 254 's'	Initializes the user character set to make narrow vertical bar graphs.
Initialize horizontal bar graph	FE 68 254 104 254 'h'	Initializes the user character set to make horizontal bar graphs.
Draw vertical bar graph	FE 3D [col][length] 254 61 [col][length] 254 '=' [col][length]	Draws a vertical bar graph at column [col] of length [length]. Length is measured in pixels (0x00 to 0x20). User must first use the 'v' or 's' command to initialize characters.
Draw horizontal bar graph	FE 7C [c][r][d][length] 254 124 [c][r][d][length] 254 'l' [c][r][d][length]	Draws a horizontal bar graph starting at column [c] on row [r] with direction [d] (0 is right, 1 is left) of length [length]. Length is measured in pixels (0x00 to 0x64 if starting in column 1). User must first use the 'h' command to initialize characters.
Define custom character	FE 4E [c][8 bytes] 254 78 [c][8 bytes] 254 'N' [c][8 bytes]	Defines one of 8 custom "user" characters. Character number is [c] between 0x00 and 0x07. The 8 bytes are described in section 4.1.6.



## 6.6 Miscellaneous Commands

Table 6-3 Miscellaneous Commands

Command	Syntax	Default	Notes
Clear display	FE 58 254 88 254 'X'	n/a	Clears screen of text and graphics, places text cursor at top left.
Set contrast	FE 50 [contrast] 254 80 [contrast] 254 'P' [contrast]	0x80 128	Sets display contrast. Compensates for viewing angle. Contrast is a value between 0 and 255 (hex 0 to FF). Larger = darker.
Backlight on	FE 42 [minutes] 254 66 [minutes] 254 'B' [minutes]	on	Backlight will stay on for [minutes]. If [minutes] = 0 backlight will stay on permanently.
Backlight off	FE 46 254 70 254 'F'	on	Turns off backlight.
General purpose output on	FE 56 254 86 254 'V'	off	Turns the general purpose output OFF.
General purpose output off	FE 57 254 87 254 'W'	off	Turns the general purpose output ON.

## 7. Appendix: Specifications and Options

### 7.1 Specifications

<b>Environmental Specifications</b>		
	Standard Temperature	Extended Temperature
Operating Temperature	0°C to +50°C	-20°C to +70°C
Storage Temperature	-20°C to +70°C	-40°C to +85°C
Operating Relative Humidity	90% max non-condensing	90% max non-condensing

<b>Electrical Specifications</b>	
Supply Voltage	4.75 - 5.25 Vdc (optional 8 – 15 VDC)
Supply Current	9 mA typical
Supply Backlight Current	40 mA typical

<b>Optical Characteristics</b>	
Number of Characters	16 (8 characters by 2 lines)
Matrix format	5 x 7 with underline
Display Area	35.0 x 11.50 mm XxY
Character Size	2.95 x 5.55 mm (XxY), not including underline
Character Pitch	3.55 mm
Line pitch	5.35 mm
Dot Size	0.55 x 0.55 mm (XxY)
Dot Pitch	0.60 x 0.60 mm (XxY)
LED Backlight Life	100,000 hours typical
Color of Illumination	Yellow Green

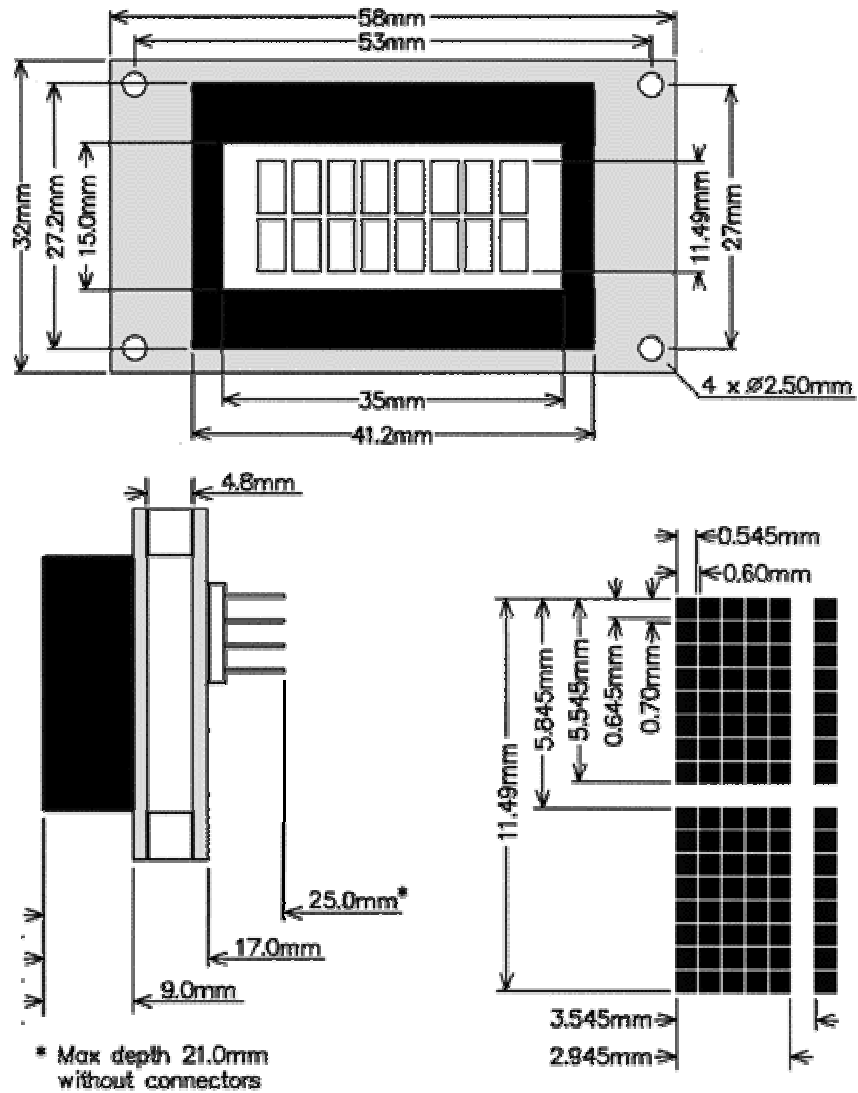


Figure 7-1 Physical Layout

## 7.2 Options

Options Available on LCD0821	
Extended Temperature	E
Wide Voltage	V

## 8. Appendix: Glossary

<b>ASCII</b>	American Standard Code for Information Interchange. A 7 bit binary code representing the english alphabet, decimal numbers and common punctuation marks. "Also includes control characters" such as carriage return or end of text. An 8 bit superset of the standard ASCII codes is often used today to include foreign characters and other symbols. These supersets are often called extended ASCII character sets.
<b>Backlight</b>	A backlit display is illuminated from behind to provide nighttime and improved daytime readability.
<b>Baud Rate</b>	The (data and signaling) bit transmission rate of an RS232 device.
<b>Binary Number</b>	A number written using binary notation which only uses zeros and ones
<b>Bit</b>	The smallest unit of information a computer can work with. Each bit is either 0 or 1. Binary digit.
<b>Bitmap</b>	A representation, consisting of rows and columns of dots, of a graphics image in computer memory. The value of each dot (whether it is filled in or not) is stored in one or more bits of data.
<b>Byte</b>	A grouping of eight binary bits
<b>CCFL</b>	Cold Cathode Fluorescent Lamp. A high brightness backlighting source consists of a fluorescent tube powered by a high voltage A.C. source.
<b>Configuration</b>	The way a system is set up, or the assortment of components that make up the system. Configuration can refer to either hardware or software, or the combination of both.
<b>Contrast</b>	The ratio of luminance between the light state of the display to the dark state of the display.
<b>Controller</b>	The microcontroller or PC used to control the Matrix Orbital display unit.
<b>DB-9</b>	The designation of a connector used in the RS232 interface: 9 pin connector
<b>Firmware</b>	Software (programs or data) that has been written onto read-only memory (ROM). Firmware is a combination of software and hardware. ROMs, PROMs and EPROMs and flash EEPROMs that have data or programs recorded on them are firmware.
<b>Font</b>	A design for a set of characters. A font is the combination of typeface and other qualities, such as size, pitch, and spacing.
<b>Font Metric</b>	A definition of where font is to be placed, such as margins and spacing between characters and lines.
<b>Hexadecimal</b>	Refers to the base-16 number system, which consists of 16 unique symbols: the numbers 0 to 9 and the letters A to F. For example, the decimal number 15 is represented as F in the hexadecimal numbering system. The hexadecimal system is useful because it can represent every byte (8 bits) as two consecutive hexadecimal digits. It is easier for humans to read hexadecimal numbers than binary numbers.
<b>I<sup>2</sup>C</b>	Short for Inter-IC, a type of bus designed by Philips Semiconductors in the early 1980s, which is used to connect integrated circuits (ICs). I <sup>2</sup> C is a multi-master bus, which means that multiple chips can be connected to the same bus and each one can act as a master by initiating a data transfer.
<b>Interface</b>	A means by which two systems interact.

<b>LCD</b>	Liquid Crystal Display
<b>Module Type Value</b>	This refers to the model number of the module.
<b>Pixel</b>	The smallest individually controllable element of a display.
<b>Pre-Generated Fonts</b>	Pre-determined fonts which can be downloaded into graphic liquid crystal displays.
<b>Primitive</b>	A low-level object or operation from which higher-level, more complex objects and operations can be constructed. In graphics, primitives are basic elements, such as lines, curves, and polygons, which you can combine to create more complex graphical images
<b>RS-232</b>	Short for recommended standard-232C, a standard interface approved by the Electronic Industries Association (EIA) for connecting serial devices.
<b>Scroll</b>	To view consecutive lines of data on the display screen. The term scroll means that once the screen is full, each new line appears at the bottom edge of the screen and all other lines move up one position.
<b>Serial Number</b>	A number that is one of a series and is used for identification of the module
<b>Serial Port</b>	A port, or interface, that can be used for serial communication, in which only 1 bit is transmitted at a time.
<b>Version Number</b>	This refers to the firmware revision number of the module.
<b>Volatile Memory</b>	Temporary memory. Once the power supply is turned off volatile memory is then erased.