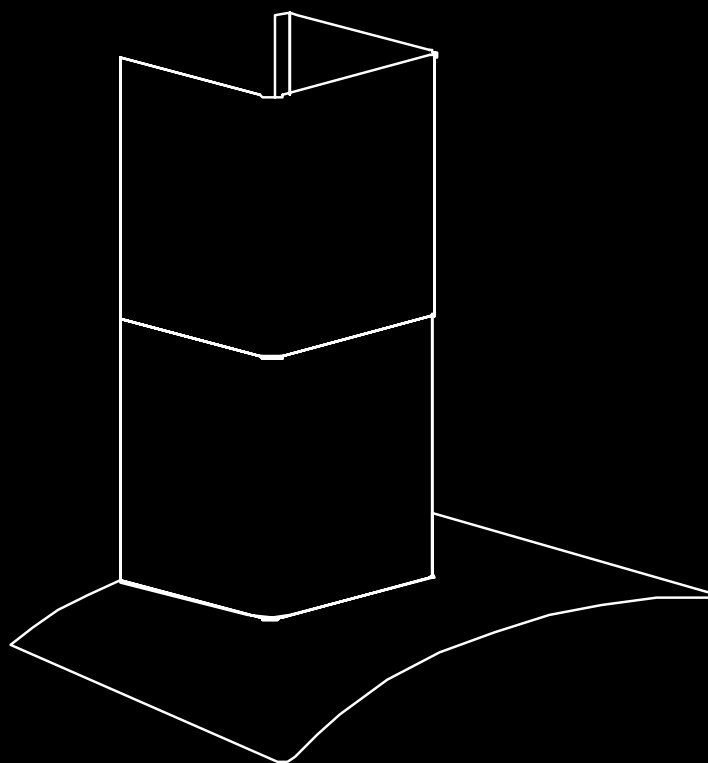


Curve Glass Canopy Range Hood



Installation and User manual

Content

Safety instructions-----	1
Product description-----	3
Operation mode-----	4
Installation-----	5
Start using the range hood-----	10
Maintenance and cleaning-----	11
Warranty-----	12

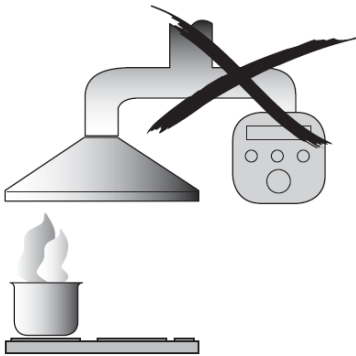
For warranty service call 1300 373 199 to connect you to the nearest authorised service centre

BR603GCX
BR903GCX

This manual explains the proper installation and use of your range hood, please read it carefully before using even if you are familiar with the product. The manual should be kept in a safe place for future reference.

Never to do:

- This appliance is not intended for use by persons (including children) with reduced physical, sensory and mental capabilities, or lack of experience and knowledge, unless they have been given supervision or instruction concerning use of the appliance by a person responsible for their safety.
- Never carry out flammable cooking under the appliance
- The exhaust from the range hood must not be discharged into any heating flue, which may carry combustion products from other sources.



- Do not leave lit gas burners exposed due to the risk of fire.



- This range hood is not recommended for barbecues.

Always to do:

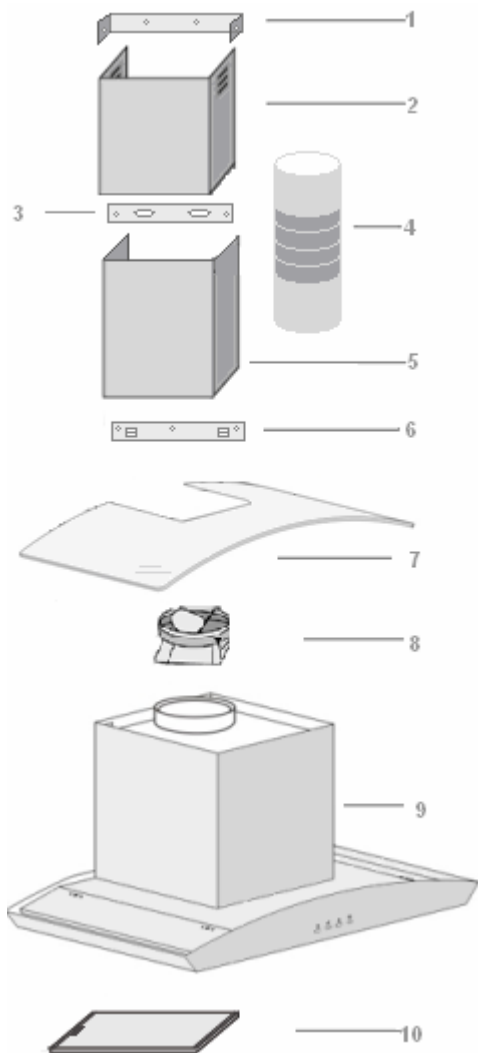
- Packaging materials (eg; polystyrene and plastic items) must be kept out of reach of babies or young children at all times due to risk of suffocation.
- Young children should be supervised to ensure that they do not play with the appliance.
- Ensure the range hood is switched off before carrying out maintenance, to avoid any possibility of electric shock.
- Grease filters must be removed every four weeks (maximum) for cleaning to reduce the risk of fire.
- There must be adequate ventilation of the room when the range hood is used at the same time as appliances burning gas or other fuels.
- Always cover lit gas burners with pots or pans when range hood is in use.
- Always switch off gas burners before you remove pots or pans.
- If the supply cord is damaged, the cord must be replaced by the manufacturer, its service agent or similarly qualified persons in order to avoid a hazard
- Plug must be accessible after installation.

Never to do:

- This range hood cannot be installed for outdoor use.
- It is prohibited to fit the range hood over a solid fuel stove
- This appliance must not be connected to a chimney or vent flue which is in use.
- This appliance is not to be vented into the roof cavity, must exit into open air.
- Exhaust air must not be discharged into a wall cavity, unless the cavity is designed for the purpose.
- This appliance should not be connected to ducting which ventilates rooms with fire places.

Always to do:

- Attention should be given to ensure that any applicable regulations concerning discharge of exhaust air are fulfilled.
- This appliance should be installed and maintained by a suitably qualified and competent person in accordance with the relevant safety regulations.
- Before connecting the appliance to the mains supply, ensure that the voltage and frequency details on the rating plate are consistent with the source of supply.



Accessories bag		
Description	Picture	QTY
User Manual		1
1:1 installation guide template		1
Upper decorative chimney bracket		1
Lower decorative chimney bracket		1
Hood mount bracket		1
Outlet(diameter 150mm)		1
Dry wall anchors plugs		9
Screw(ST4x8mm)		8
Screw(ST4x40mm)		7
Screw(ST4x30mm)		2
Screw(4x22mm)		4
Decorative ring*		4
Rubber insert*		4

*BR903GCS only

Component list:

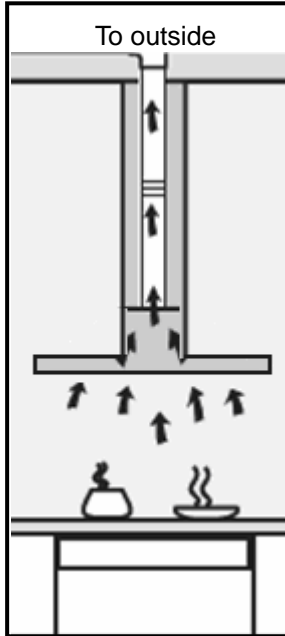
1. Upper decorative chimney bracket
2. Upper decorative chimney (Inner)
3. Lower decorative chimney bracket
4. Flexible exhaust pipe
5. Lower decorative chimney (outer)
6. Hood mount bracket
7. Outlet (diameter 150mm)
8. Main body
9. Grease mesh filter

Technical data:

- Power supply: 220 – 240v, 50Hz
- Lights: 2x20W Halogen lamp
- Motor: 190W
- Length of power cord: 2m
- Air outlet diameter: 150mm

Your range hood can be operated in two optional modes, choose the mode suitable for your kitchen before installation.

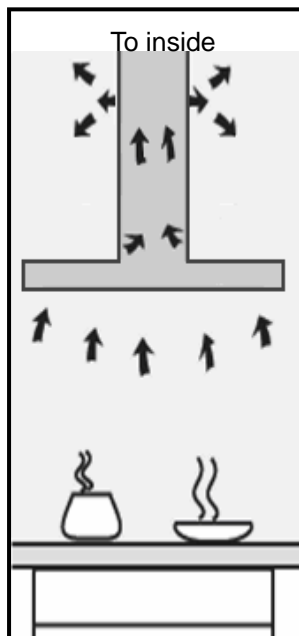
Air Exaction



For air exaction mode, a ducting kit is required, the air is drawn in and cleaned by the grease filters and directed outside.

Ducting must be vented to outside atmosphere.

Air Recirculation

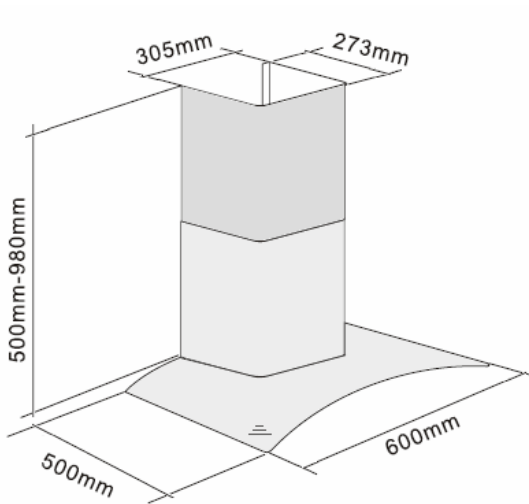


For air recirculation mode, charcoal filter is a must to eliminate cooking smells.

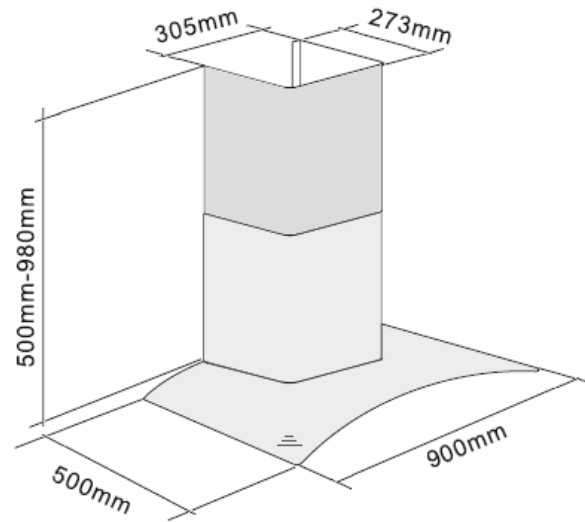
The air is drawn in and cleaned first by the grease filters and then charcoal filter. The cleaned air is then re-circulated back into kitchen through grilles on *the upper decorative chimney*.

Dimensions:

BR603GCX



BR903GCX

**Installation:****Warning:**

Check that the installation complies with the standards of local building, gas and electrical authorities. Before connecting to the mains supply ensure the mains voltage corresponds to the voltage on the appliance rating plate inside the range hood.

When installing the range hood, make sure you adhere to the minimum and maximum distances from the range hood base to the cooktop hob surface.

Hints for exhaust duct installation

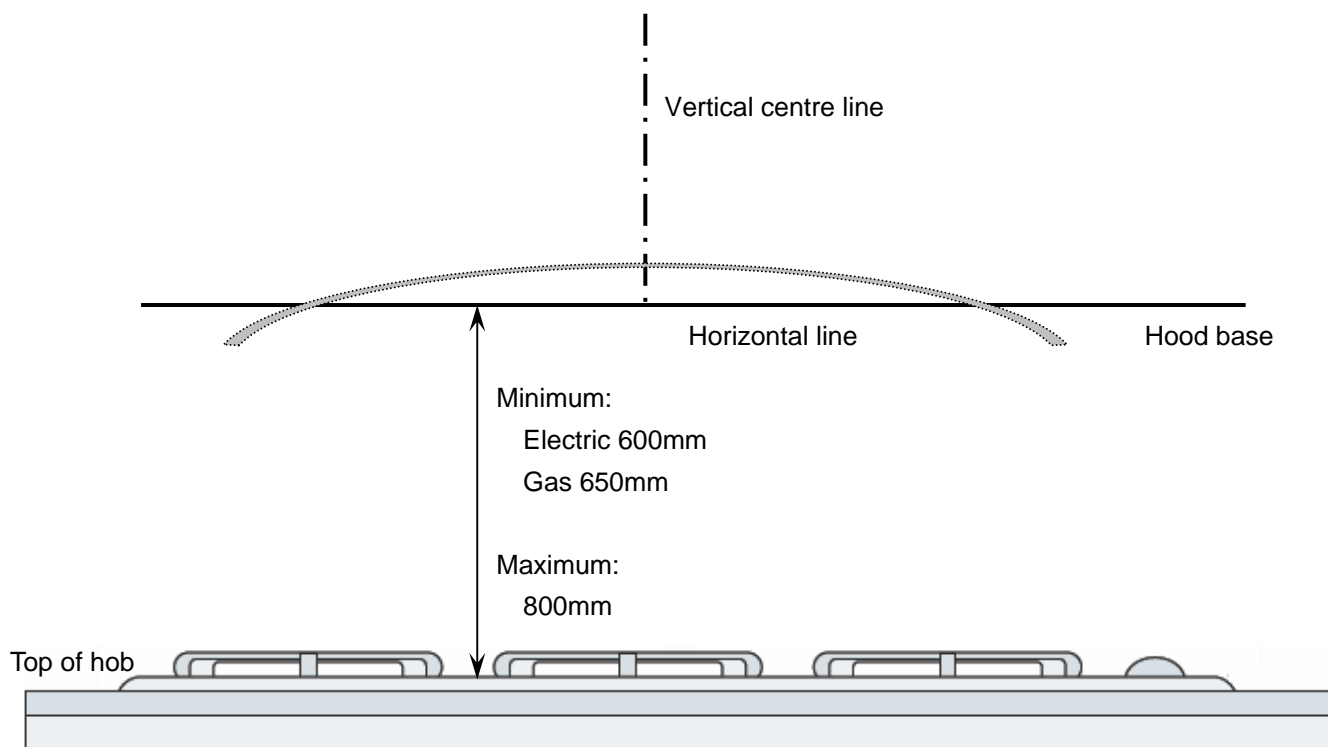
The following rules must be strictly followed to obtain optimal air extraction

- Keep exhaust duct short and straight
- Do not reduce the size or restrict exhaust duct
- When using flexible duct always install the duct pulled taut to minimize pressure loss
- Failure to observe these basic instructions will reduce the performance and increase noise levels of the range hood

Ensure the exhaust ducting selected for installation complies with relevant standards and is fire retardant.

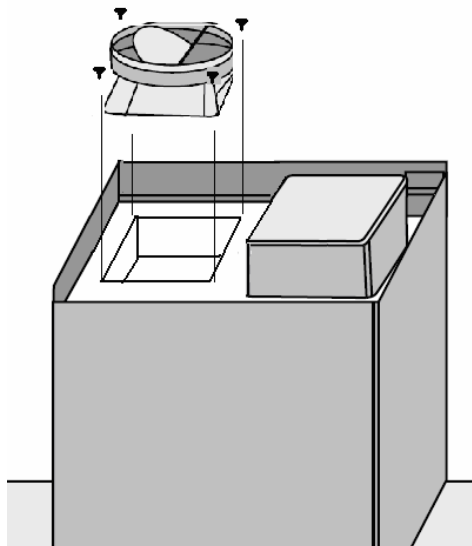
- Using a spirit level mark a vertical centre line on the wall where the hood is to be positioned, and a horizontal line where the hood base will be.

NOTE: The distance from the horizontal line to an electrical cooktop underneath must be minimum of 600mm & 650mm to a gas cook top and a maximum height of 800mm (refer to table below).



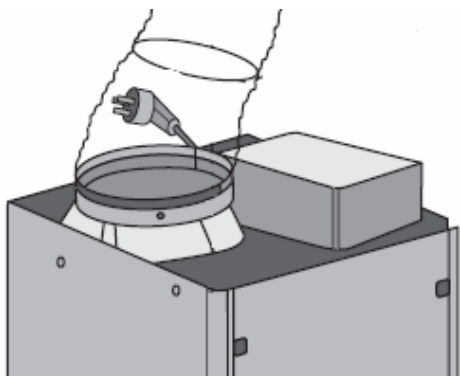
*If the instructions of the hob specify a greater distance than the minimum above, then that shall be the minimum height for installation

- Use the *installation guide template* to determine where screw mount holes should be at. Make sure vertical and horizontal line on the *installation guide template* superpose with the line just drew on the wall.
- According to the position just marked by *installation guide template*, drill holes on the wall and hammer *dry wall anchor plugs* into holes.
- Fit the *outlet* on the top of range hood body with *4pcs ST4x8mm screws*.

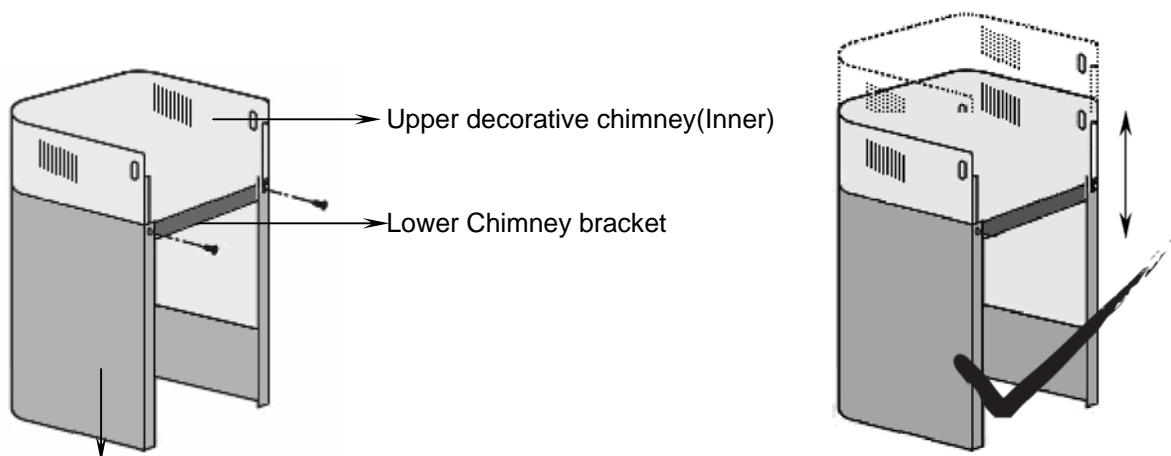


5. Fit the *flexible exhaust pipe* onto *outlet*.

* If choose air extraction mode, please install *the flexible exhaust pipe*; if choose air recirculation mode, no need to install *the flexible exhaust pipe*, please skip this step and go to step 6 directly



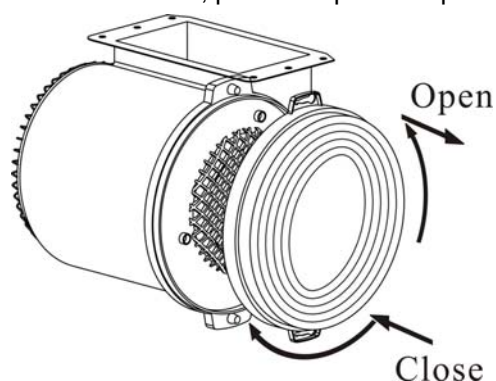
6. Use 2pcs *ST4x8mm screws* to attach lower and upper chimney together, do not fasten screws too much, make sure *upper decorative chimney* can be telescopically adjusted after assembled.



Lower decorative chimney(Outer)

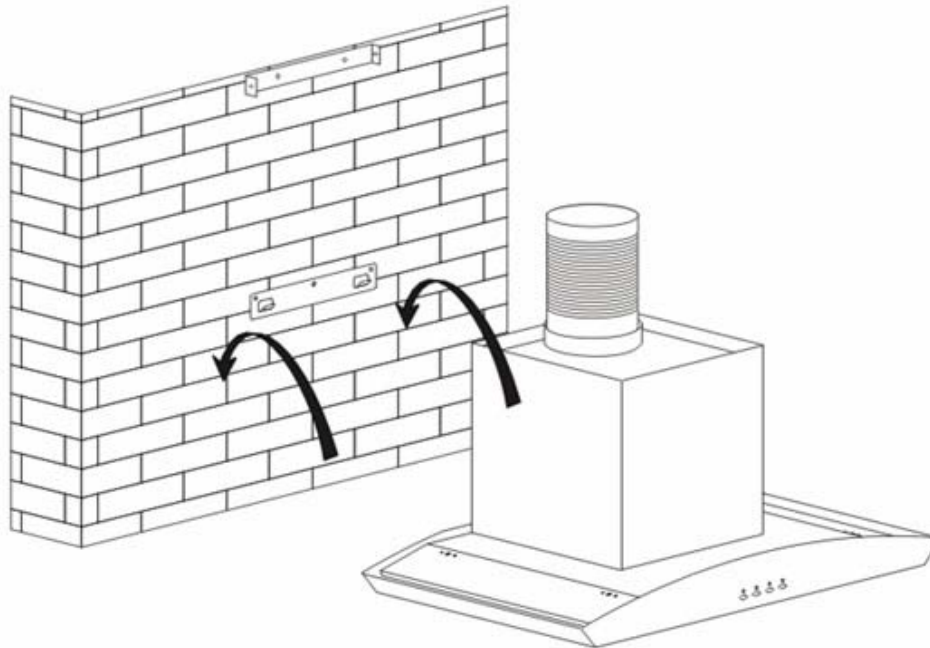
7. Remove *grease mesh filter* and install active charcoal filter onto motor chamber according to below drawing.

* If choose air recirculation mode, we strongly recommend you have charcoal filter installed; if choose air extraction mode, please skip this step and go to step 8 directly.



8. Secure the *hood mount bracket* onto wall with 3pcs screw *ST4x40*, make sure the screws are fastened completely and the *hood mount bracket* is securely fastened to wall.

9. Hang on the hood onto the hook of the *hood mount bracket*, make sure the mount slot on cooker hood completely slide into hooks.



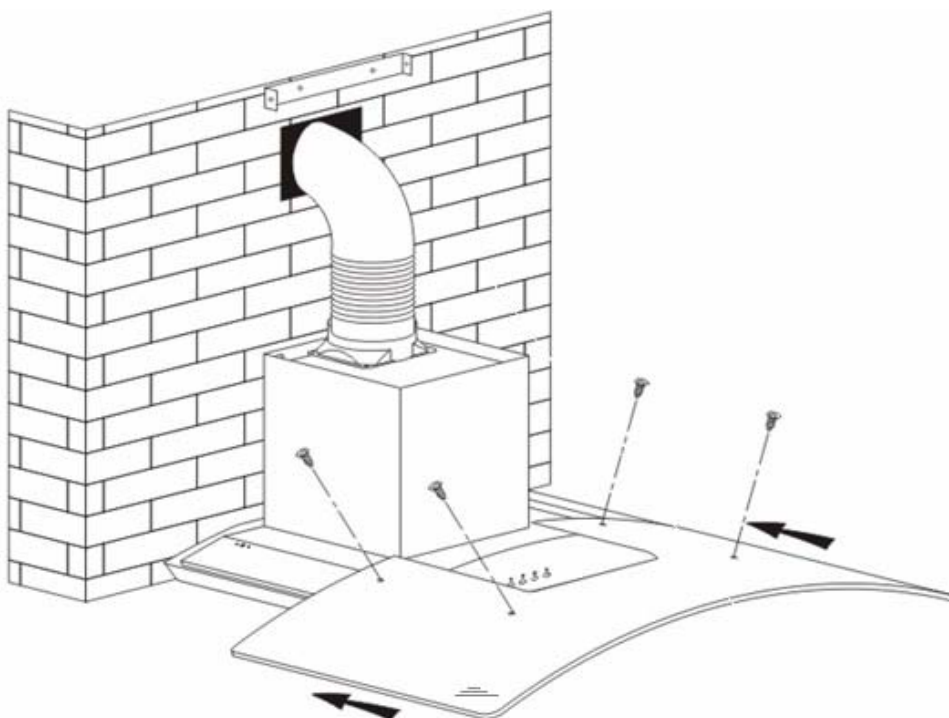
*Above photo is for BR903GCX. For BR603GCX, glass already installed on main body

10. Fasten the *2pcs anti-tilt ST4x30mm screws* onto wall to ensure horizontality of cooker hood. You can find out screw holes inside hood near the motor chamber.
11. Use *3pcs ST4x40mm screws* to secure the lower decorative chimney bracket onto wall.
12. Plug in the main power supply.
13. Determine position where *upper decorative chimney* maximum extent to, use *2pcs ST4x40mm screws* to secure *the upper decorative chimney bracket* onto wall.

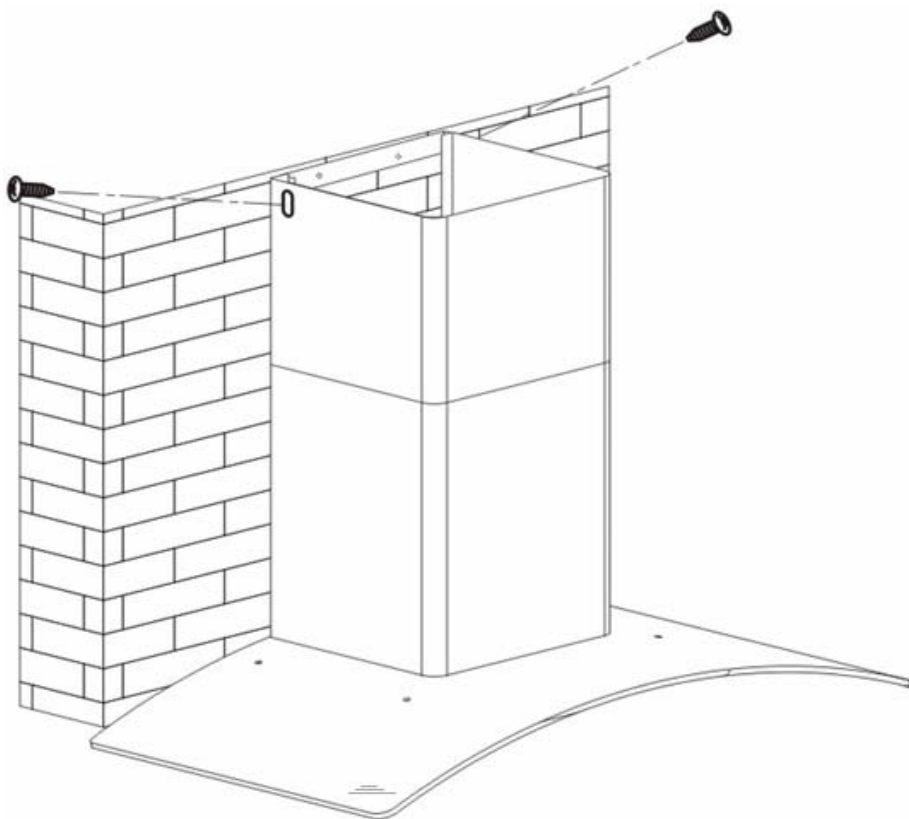
* Total maximum extension height is 980mm; each chimney height is 500mm.

14. Carefully put the glass according to the arrow direction onto the cooker hood, and then fasten the screws+ decorative ring + rubber washer to fix the glass.

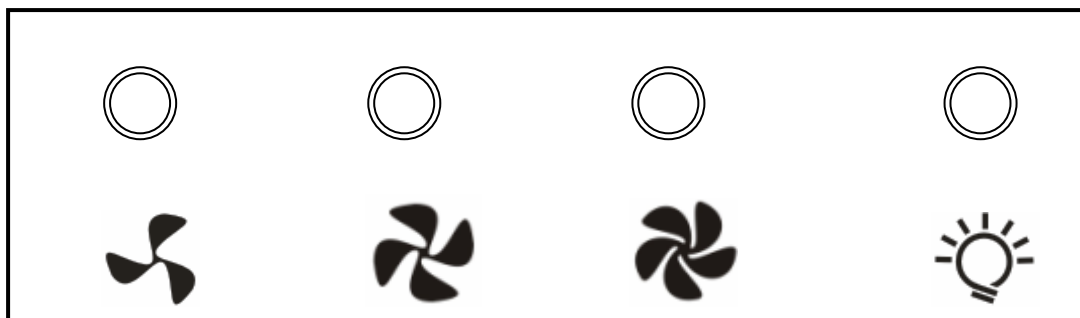
* for BR603GCX, glass already installed on main body so skip this step but go to next step directly.



15. Extend *the upper decorative chimney* to desired height and fix it with *the upper decorative chimney bracket* by 2pcs ST4x8mm screws.



16. Remove all blue protective film on chimney and cooker hood, the installation is now finished.



Lamp – Turn on/off light

Speed –select speed to suit cooking conditions



Low – light frying/boiling. Depress this button to enter into low speed and again to turn off motor.



Medium – frying/wok cooking/heavy boiling. Depress this button to enter into medium speed and again to turn off motor



High – grilling, intensive frying and wok cooking. Depress this button to enter into high speed and again to turn off motor

Caution:

- Before maintenance or cleaning is carried out, the range hood should be disconnected from the main power supply. Ensure that the range hood is switched off at the wall socket and the plug removed.
- External surfaces are susceptible to scratches and abrasions, so please follow the cleaning instructions to ensure the best possible result is achieved without damage.

GENERAL

Cleaning and maintenance should be carried out with the appliance cold especially when cleaning. Avoid leaving alkaline or acid substances (lemon juice, vinegar etc.) on the surfaces

STAINLESS STEEL

The stainless steel must be cleaned regularly (e.g. weekly) to ensure long life expectancy. Dry with a clean soft cloth. A specialized stainless steel cleaning fluid may be used.

NOTE: Ensure that wiping is done along with the grain of the stainless steel to prevent any unsightly crisscross scratching patterns from appearing.

CONTROL PANEL SURFACE

The inlay control panel can be cleaned using warm soapy water. Ensure the cloth is clean and well wrung before cleaning. Use a dry soft cloth to remove any excess moisture left after cleaning.

Important

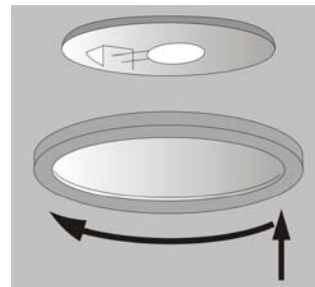
Avoid using harsh cleaning chemicals, strong household detergents or products containing abrasives as this will affect the appliance appearance and potentially remove any printing of artwork on the control panel and will void manufactures warrantee

GREASE MESH FILTERS

The mesh filters can be cleaned either by hand or in the dishwasher. After cleaning ensure that the filters are completely dry before refitting.

- By hand: Soak in warm water and a neutral washing up liquid. For stubborn grease stains use a soft nylon brush or sponge to help remove these stains. (Leave to dry naturally out of direct sun light)
- In a dishwasher: Ensure that placement of the filters is made so as to not impede the function of the spray arm. Washing the filters in a dishwasher may cause discoloration of the aluminum inner mesh over time although it will not affect their performance. Filters should be washed separately to crockery and kitchen utensils. It is advisable not to use rinse aid.

Replace Lamps



Switch the range hood off and disconnect supply cord from Power outlet.

Unscrew the Chrome rims in an anti clockwise direction to gain access to the halogen globe.

Remove Halogen globe whilst cool and replace with new globe. Screw chrome rims back into place in clockwise direction until secure.

The range hood takes 2 x 20 W – 12 Volts Halogen Globes.

Important

When handling globes hold with a cloth or gloves to ensure perspiration does not come in contact with the globe as this can reduce the life of the globe.

The benefits conferred by this warranty are in addition to all implied warranties, other rights and remedies in respect of the product which the consumer has under the Trade Practices Act and similar State and Territory Laws.

The original purchaser of this Bellini product is provided with the following warranty, subject to the following warranty conditions.

This product is covered by a 2 Year In Home Warranty from the date of purchase. The warranty covers rectification free of charge of any fault arising from defective materials or components, or faulty workmanship. The product will be repaired or replaced at the option of GSM Sales Pty Ltd.

WARRANTY CONDITIONS

1. This warranty is only valid for appliances installed and used according to the manufacturer's instructions.
2. This warranty does not apply to damage caused if your appliance has been dismantled, repaired or serviced by any person other than someone authorised by the Company.
3. If you live outside the service area of the Company or one of its service agents, this warranty does not cover the cost of transport of the appliance for service nor the service agent's traveling costs to and from your home.
4. If you are required to transport the appliance to the Company or its service agent, you must ensure it is securely packed and insured. The Company does not accept any responsibility for loss or damage of the appliance prior to it being received by the Company or its service agent.
5. This warranty does not cover loss, damage or expense to this appliance caused directly or indirectly by power surges, electrical storm damage or connected to incorrect power supply.
6. The Company (and any company related to the Company) will not be liable for any special, incidental or consequential damages or for loss, damage or expense or for personal injury or loss or destruction of property arising directly or indirectly from the use or inability to use this appliance or any of its parts.
7. Warranty will only be given where proof of purchase is provided, e.g. original invoice.
8. Not designed or warranted for industrial or commercial use (Commercial use applies to shops, offices, schools, factories & workshops etc.).

DO NOT SEND IN THIS WARRANTY

Fill out the following details and file with your purchase invoice.

RETAIN & FILE WITH YOUR RECEIPT

Your Purchase Receipt/Invoice is proof of date of purchase. If you are unable to establish the date of purchase, or if the fault is not covered by this warranty, or if the product is found to be in working order, you will be required to bear all service call charges.

GSM Sales Pty Ltd reserves the right to discontinue items, modify designs and change specifications without incurring obligation.

Whilst every effort is made to ensure that descriptions, specifications and other information in this publication is correct, no warranty is given in respect thereof and the company shall not be liable for any errors therein.

You may not make claim under this warranty unless the defect claimed is due to faulty or defective parts or workmanship. GSM Sales is not liable in the following situations (which are not exhaustive): 1. accident, 2. misuse or abuse including failure to maintain, 3. normal wear and tear, 4. power surges, electrical storm damage or incorrect power supply, 5. incorrect or incomplete installation, 6. incorrect operation and use, 7. any modification to appliance without consent, 8. the appliance is serviced by anyone other than a GSM Sales authorised service agent.

Purchased from: _____

Co. Name: _____

Address: _____

Date of Purchase: _____

NOTE: Consistent with our continuing product development policy, improvements may have been made which render the contents of this package slightly different to that shown.

**FOR WARRANTY SERVICE CALL 1300 373 199 TO
CONNECT YOU TO THE NEAREST AUTHORISED SERVICE
CENTRE**

NOTES:

Serial Number

G | S | M

Gerard Sourcing & Manufacturing

GSM Sales Pty Ltd.

The GSM Sales Pty Ltd. Group of Companies has a policy of continual improvement throughout the product range.
As such the unit contained within may differ slightly from the unit illustrated on the pack.

MADE IN CHINA for the GSM Sales Pty Ltd. Group of Companies
Bellini is a registered trademark of GSM Sales Pty Ltd.



N1028