

1 YEAR
WARRANTY



OMEGA® User's Guide



**Shop online at
omega.com®**

e-mail: *info@omega.com*
**For latest product manuals:
*omegamanual.info***

ISO 9001
CERTIFIED
CORPORATE QUALITY
STAMFORD, CT

ISO 9001
CERTIFIED
CORPORATE QUALITY
MANCHESTER, UK

MADE IN CHINA

P16PIP **Pipe and Duct Inspection Probe and Reel Set**



OMEGAnet® On-Line Service
omega.com

Internet e-mail
info@omega.com

Servicing North America:

U.S.A.: ISO 9001 Certified
OMEGA Engineering, Inc.,
One Omega Drive, P.O. Box 4047
Stamford, CT 06907-0047
Toll-Free: 1-800-826-6342 Tel: (203) 359-1660
FAX: (203) 359-7700 e-mail: info@omega.com

Canada:
976 Bergar
Laval (Quebec), H7L 5A1 Canada
Toll-Free: 1-800-826-6342 TEL: (514) 856-6928
FAX: (514) 856-6886 e-mail: info@omega.ca

For immediate technical or application assistance:

U.S.A. and Canada:
Sales Service: 1-800-826-6342 / 1-800-TC-OMEGA®
Customer Service: 1-800-622-2378 / 1-800-622-BEST®
Engineering Service: 1-800-872-9436 / 1-800-USA-WHEN®

Mexico/Latin Ameica:
En Español: 001 (203) 359-7803
FAX: 001 (203) 359-7807
info@omega.com.mx
e-mail: espanol@omega.com

Servicing Europe:

Benelux:
Managed by the United Kingdom Office
Toll-Free: 0800 099 3344 TEL: +31 20 347 21 21
FAX: +31 20 643 46 4 e-mail: sales@omegaeng.nl

Czech Republic:
Frystatska 184
733 01 Karviná, Czech Republic
Toll-Free: 0800-1-66342 TEL: +420-59-6311899
FAX: +420-59-6311114 e-mail: info@omegashop.cz

France:
Managed by the United Kingdom Office
Toll-Free: 0800 466 342 TEL: +33 (0) 161 37 29 00
FAX: +33 (0) 130 57 54 27 e-mail: sales@omega.fr

Germany/Austria:
Daimlerstrasse 26
D-75392 Deckenpfronn, Germany
Toll-Free: 0800 6397678 TEL: +49 (0) 7056 9398-0
FAX: +49 (0) 7056 9398-29 e-mail: info@omega.de

United Kingdom:
ISO 9001 Certified
OMEGA Engineering Ltd.
One Omega Drive
River Bend Technology Centre
Northbank
Irlam, Manchester M44 5BD
United Kingdom
Toll-Free: 0800-488-488
TEL: +44 (0) 161 777-6611
FAX: +44 (0) 161 777-6622
e-mail: sales@omega.co.uk

It is the policy of OMEGA Engineering, Inc. to comply with all worldwide safety and EMC/EMI regulations that apply. OMEGA is constantly pursuing certification of its products to the European New Approach Directives. OMEGA will add the CE mark to every appropriate device upon certification.

The information contained in this document is believed to be correct, but OMEGA accepts no liability for any errors it contains, and reserves the right to alter specifications without notice.

WARNING: These products are not designed for use in, and should not be used for, human applications.

Ω OMEGA®

PIPE & DUCT INSPECTION PROBE & REEL SET

USER'S MANUAL



P16PIP

Please read this manual carefully and thoroughly before using this product.

TABLE OF CONTENTS

Introduction	1
Key Features	1 – 2
Safety Instructions	2
What's in the Case	2
Product Overview	3 – 4
Setup Instructions	4 – 5
Attach Borescope	4 – 5
Operating Instructions	6 – 8
Attaching an Accessory	6 – 8
Operating & Maintenance Tips	9 – 10
Specifications	11

INTRODUCTION

Thank you for purchasing the Omega Engineering, Inc. P16PIP Pipe & Duct Inspection Probe & Reel Set. Please read this manual carefully and thoroughly before using the product.

The P16PIP is a probe and reel set that—when attached to a video borescope inspection system from General—allows plumbers to visually inspect the interior of water and sewer pipes carrying running water, and HVAC specialists to visually inspect the interior of ducts. In both applications, inspections can be documented with video clips and still photos to provide evidence and the location of blockages or cracks.

The probe and reel set is compatible with the:

- HHB1600 and HHB1800 Recording Video Borescope Inspection Systems

KEY FEATURES

- Ideal for examining the interior of water pipes, sewer pipes, and HVAC ducts. Especially tailored for 2, 4 and 6 in. I.D. pipes by included probe centering accessories
- 72 ft. (22m) long probe with 1.1 in. (28mm) diameter camera head
- Eight super-bright white LEDs give probe 640 x 480 pixel (VGA) resolution; superior optics yield excellent depth of field of 0.4 in. (10mm) to infinity
- Probe is water-tight to IP68 standard (depth of 33 ft./10m) and flexible enough to make two or more (depending on conditions inside the pipe) 90° bends in a 1.6 in. (40mm) I.D. pipe
- Stainless steel camera head is immune to bathroom toilet cleaner, pipe and drain cleaning chemicals, gasoline, brake/transmission fluid and machine oil
- Steel probe reel is sturdy and dust-tight to IP6X standard, works vertically or horizontally, and has bracket for H16 (HHB1600) console

SAFETY INSTRUCTIONS

CAUTION!

Do not use the P16PIP to inspect ducts known or suspected to contain live electric wiring

WHAT'S IN THE CASE

The P16PIP Pipe & Duct Inspection Probe & Reel Set comes in a hard plastic protective case along with this user's manual and the following accessories:

- One spherical metal ring for centering the probe in 2 in. I.D. pipes
- One brush set for centering the probe in 4 in. I.D. pipes
- One brush set for centering the probe in 6 in. I.D. pipes
- A 5/64-in. Allen wrench for attaching the 2 in. probe centering ring
- A plastic bag containing five spare 5/64-in. Allen screws

PRODUCT OVERVIEW

Fig. 1 shows the key components of the P16PIP. Fig. 2 details the anatomy of the camera-tipped end of the probe. Familiarize yourself with the names and positions of these components before moving on to the Setup and Operating Instructions.

Fig. 1. The key components of the P16PIP

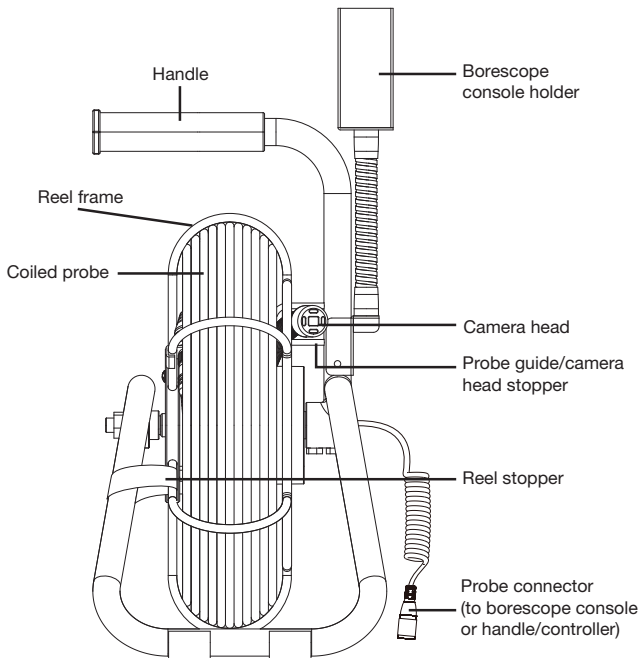
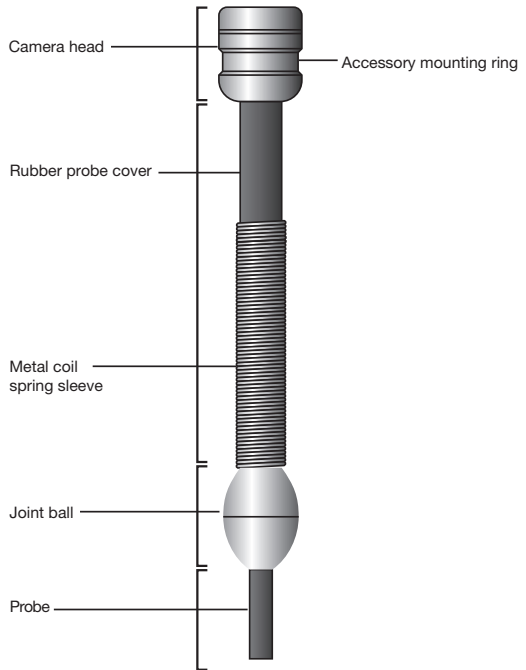


Fig. 2. Structures near the camera-tipped end of the probe



SETUP INSTRUCTIONS

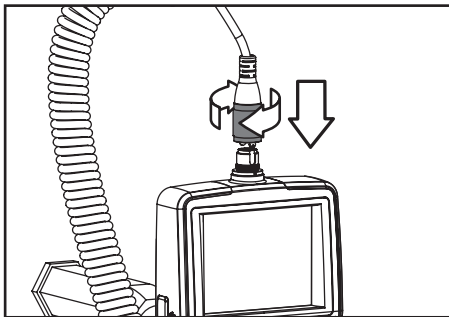
ATTACH BORESCOPE

The P16PIP is compatible with the following systems and components from General:

- The HHB1600 and HB1800 Recording Video Borescope Inspection Systems

To attach the probe & reel set to the HHB1600 or to the HHB1800 handle/controller, first remove the red protective cap from the Probe connector (see bottom of Fig. 1). Then pull back the metal collar of the

connector to expose the alignment key with a red dot. Keeping the collar pulled back, align this dot with the red dot on the connector of your borescope console or handle/controller and push the two connectors together. To secure the connection, release the collar and turn it clockwise until tight. The following figure shows the final attachment step for the (HHB1600) Console.



At the top of the P16PIP is a metal bracket designed to securely hold the (HHB1600) console. If you are using the probe with a HHB1800 system, General suggests *not* mounting the system's transmitting handle/controller or receiving console. Both components can be placed anywhere convenient—as long as it is dry. Neither component is waterproof or water-resistant.

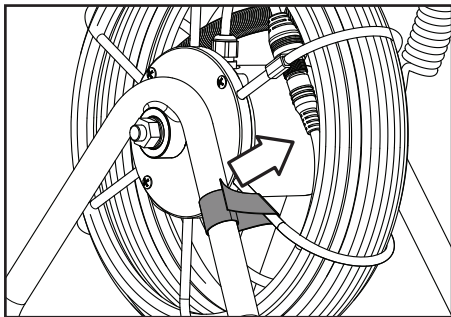
OPERATING INSTRUCTIONS

Before inspecting a pipe, determine its inner diameter. Then determine whether that diameter matches the diameter of any of the three included probe-centering accessories: 2, 4 or 6 inches. If your pipe is one of these three sizes, attaching the correct accessory will keep the camera head in the center of the pipe as you push the probe forward. A centered probe will be easier to push forward and produce higher-quality videos and photos as well.

If the inner diameter of your pipe is *not* 2, 4 or 6 in., you can still use the probe to good effect without the benefit of a probe-centering accessory. You may have to exert a bit more effort to keep the camera head from getting hung up on the pipe's sidewalls as you push the probe forward. That is more likely if you use the probe to inspect large pipes or rectangular ducts. In such situations, friction will often cause the camera head to “tuck under” the probe as you push it forward, producing a rear-facing dynamic view of the pipe's interior. When you begin to reel in the probe, however, the metal coil spring sleeve (see Fig. 1) will free the camera head and point it forward. Videos and photos captured during this “return” trip can be just as valuable as forward-facing evidence.

ATTACHING AN ACCESSORY

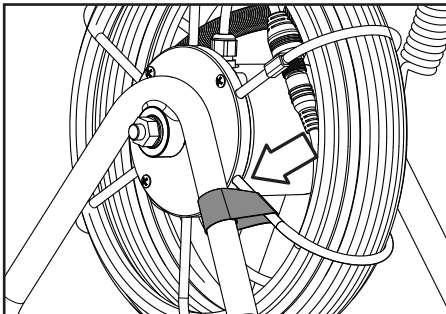
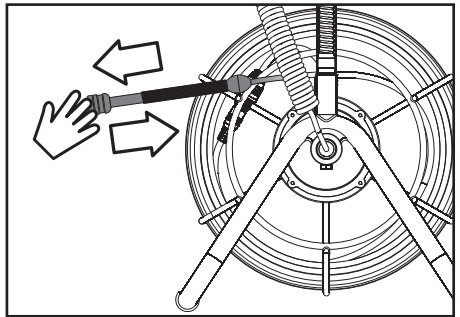
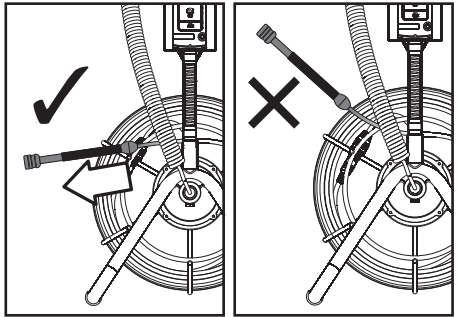
Before attaching any of the three probe-centering accessories to the probe, “play out” a few feet of the probe from the reel. To do so, first “unlock” the reel by separating (opening) the Velcro closure called the Reel stopper (see Fig. 1 and figure at right).



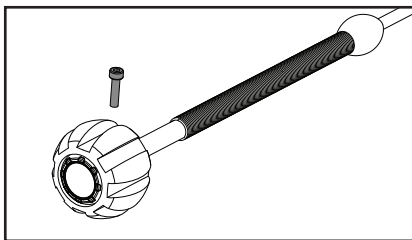
Once the reel is free to move, grab the probe below the camera head and begin pulling it horizontally, rather than vertically, as shown at right.

Extract just enough probe for the Joint ball to pass the Probe guide/camera head stopper (see Fig. 1). Then—if this is the first use of the P16PIP or its first use in months—pull and push the end of the probe back and forth a few times (see figure at right) to reduce any friction binding the reel's stationary and moving parts.

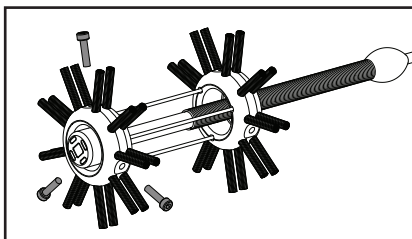
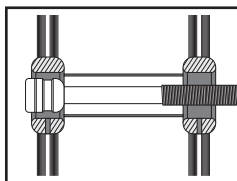
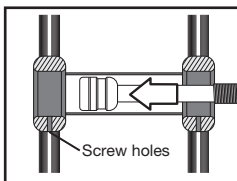
Once you have played out a few feet of probe, lock the reel by fastening the Velcro closure around the reel frame, as shown below.



You can now attach the 2 in. spherical ring, the 4 in. brush set or the 6 in. brush set to the probe tip. **To attach the ring**, slide its slightly larger open end over the camera head (it fits only one way) until the head protrudes about 1/8 in. past the ring's other opening. In this position, the ring's Allen set screw will line up with the Accessory mounting ring of the camera head (see Fig. 2). Secure the ring to the head by using the included Allen wrench to tighten the screw, as shown at right.



To attach either probe-centering brush set, identify the end with three set screws. Passing the camera head through the *other* end first, slide the probe through the brush set until the camera head protrudes 1/8 in. past the end with the set screws (see figures below). In this position, the three set screws will line up with the head's Accessory mounting ring. Secure the brush set to the head by hand-tightening the screws.

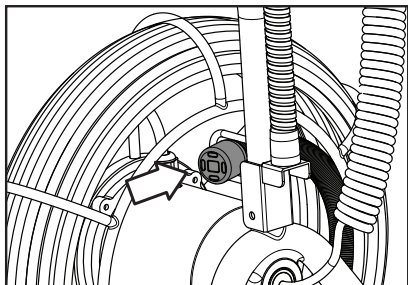
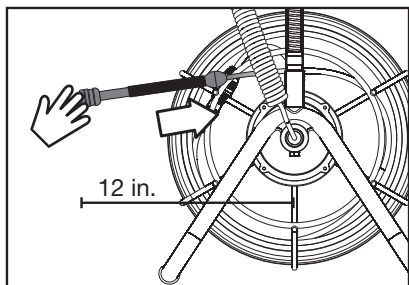
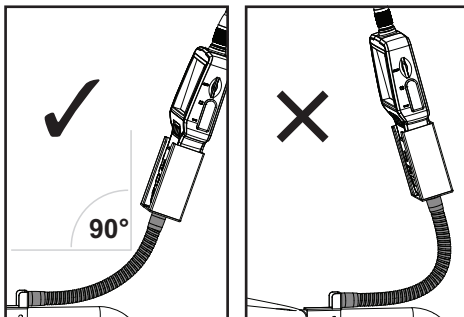


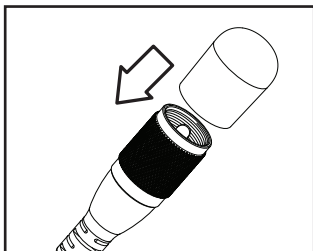
OPERATING & MAINTENANCE TIPS

The reel operates equally well in a horizontal or vertical position.

The bracket for the (HHB1600) borescope console at the top of the P16PIP has a flexible-obedient stem that allows the console's screen to be angled to a comfortable viewing position. **DO NOT BEND** this stem at an angle greater than 90° (see figures at right below).

Before attempting to wind the probe back onto the reel, remember to “unlock” the reel by undoing the Reel stopper (see Fig. 1). The most effective way to rewind the probe is to push it onto the reel through the bars of the Probe guide (see Fig. 1) horizontally from a distance of about 12 inches. Continue pushing until the Joint ball has passed through the Probe guide. Stop when the camera head meets the Camera head stopper (see figure at right below).





Before cleaning the P16PIP, disconnect the (HHB1600) console from the probe, remove the console from the mounting bracket and cover the probe connector with the red protective cap, as shown above.

All parts of the probe and reel can be hosed down or cleaned with a cloth and water or a mild solvent. After cleaning, allow fluid to drain from the unit for at least five minutes. Then dry the unit carefully with a second cloth before returning it and any accessories to the plastic case.

Note: All compatible consoles and probe controllers are **NOT** waterproof. Be sure to disconnect your borescope and move it out of the way before washing the P16PIP.

SPECIFICATIONS

PROBE & CAMERA

Camera Head Diameter	1.1 in. (28mm)
Probe Diameter	0.23 in. (6mm)
Probe Length	72 ft. (22m)
Probe Material	Fiberglass
Camera Light Source	8 white LEDs
Camera Depth of Field	0.4 in. (10mm) to infinity
Camera Field of View	150.8° (diagonal)
Waterproof Depth (IP68)	50 ft. (10m)
Operating Temperature	14° to 158°F (-10° to 70°C)
Weight	4.9 lb. (2.2kg)

REEL

Frame Diameter	11.8 in. (300mm)
Dust and Water Resistance	To IP65 standard
Operating Temperature	14° to 158°F (-10° to 70°C)
Weight	6.6 lb. (3kg)

NOTES:

WARRANTY/DISCLAIMER

OMEGA ENGINEERING, INC. warrants this unit to be free of defects in materials and workmanship for a period of **13 months** from date of purchase. OMEGA's Warranty adds an additional one (1) month grace period to the normal **one (1) year product warranty** to cover handling and shipping time. This ensures that OMEGA's customers receive maximum coverage on each product.

If the unit malfunctions, it must be returned to the factory for evaluation. OMEGA's Customer Service Department will issue an Authorized Return (AR) number immediately upon phone or written request. Upon examination by OMEGA, if the unit is found to be defective, it will be repaired or replaced at no charge. OMEGA's WARRANTY does not apply to defects resulting from any action of the purchaser, including but not limited to mishandling, improper interfacing, operation outside of design limits, improper repair, or unauthorized modification. This WARRANTY is VOID if the unit shows evidence of having been tampered with or shows evidence of having been damaged as a result of excessive corrosion; or current, heat, moisture or vibration; improper specification; misapplication; misuse or other operating conditions outside of OMEGA's control. Components in which wear is not warranted, include but are not limited to contact points, fuses, and triacs.

OMEGA is pleased to offer suggestions on the use of its various products. However, OMEGA neither assumes responsibility for any omissions or errors nor assumes liability for any damages that result from the use of its products in accordance with information provided by OMEGA, either verbal or written. OMEGA warrants only that the parts manufactured by the company will be as specified and free of defects. OMEGA MAKES NO OTHER WARRANTIES OR REPRESENTATIONS OF ANY KIND WHATSOEVER, EXPRESSED OR IMPLIED, EXCEPT THAT OF TITLE, AND ALL IMPLIED WARRANTIES INCLUDING ANY WARRANTY OF MERCHANTABILITY AND FITNESS FOR A PARTICULAR PURPOSE ARE HEREBY DISCLAIMED. LIMITATION OF LIABILITY: The remedies of purchaser set forth herein are exclusive, and the total liability of OMEGA with respect to this order, whether based on contract, warranty, negligence, indemnification, strict liability or otherwise, shall not exceed the purchase price of the component upon which liability is based. In no event shall OMEGA be liable for consequential, incidental or special damages.

CONDITIONS: Equipment sold by OMEGA is not intended to be used, nor shall it be used: (1) as a "Basic Component" under 10 CFR 21 (NRC), used in or with any nuclear installation or activity; or (2) in medical applications or used on humans. Should any Product(s) be used in or with any nuclear installation or activity, medical application, used on humans, or misused in any way, OMEGA assumes no responsibility as set forth in our basic WARRANTY/DISCLAIMER language, and, additionally, purchaser will indemnify OMEGA and hold OMEGA harmless from any liability or damage whatsoever arising out of the use of the Product(s) in such a manner.

RETURN REQUESTS/INQUIRIES

Direct all warranty and repair requests/inquiries to the OMEGA Customer Service Department. BEFORE RETURNING ANY PRODUCT(S) TO OMEGA, PURCHASER MUST OBTAIN AN AUTHORIZED RETURN (AR) NUMBER FROM OMEGA'S CUSTOMER SERVICE DEPARTMENT (IN ORDER TO AVOID PROCESSING DELAYS). The assigned AR number should then be marked on the outside of the return package and on any correspondence. The purchaser is responsible for shipping charges, freight, insurance and proper packaging to prevent breakage in transit.

FOR **WARRANTY** RETURNS, please have the following information available BEFORE contacting OMEGA:

1. Purchase Order number under which the product was PURCHASED,
2. Model and serial number of the product under warranty, and
3. Repair instructions and/or specific problems relative to the product.

FOR **NON-WARRANTY** REPAIRS, consult OMEGA for current repair charges. Have the following information available BEFORE contacting OMEGA:

1. Purchase Order number to cover the COST of the repair,
2. Model and serial number of the product, and
3. Repair instructions and/or specific problems relative to the product.

OMEGA's policy is to make running changes, not model changes, whenever an improvement is possible. This affords our customers the latest in technology and engineering.

OMEGA is a registered trademark of OMEGA ENGINEERING, INC.

© Copyright 2012 OMEGA ENGINEERING, INC. All rights reserved. This document may not be copied, photocopied, reproduced, translated, or reduced to any electronic medium or machine-readable form, in whole or in part, without the prior written consent of OMEGA ENGINEERING, INC.

Where Do I Find Everything I Need for Process Measurement and Control? **OMEGA...Of Course!** *Shop online at omega.comsm*

TEMPERATURE

- ☑ Thermocouple, RTD & Thermistor Probes, Connectors, Panels & Assemblies
- ☑ Wire: Thermocouple, RTD & Thermistor
- ☑ Calibrators & Ice Point References
- ☑ Recorders, Controllers & Process Monitors
- ☑ Infrared Pyrometers

PRESSURE, STRAIN AND FORCE

- ☑ Transducers & Strain Gages
- ☑ Load Cells & Pressure Gages
- ☑ Displacement Transducers
- ☑ Instrumentation & Accessories

FLOW/LEVEL

- ☑ Rotameters, Gas Mass Flowmeters & Flow Computers
- ☑ Air Velocity Indicators
- ☑ Turbine/Paddlewheel Systems
- ☑ Totalizers & Batch Controllers

pH/CONDUCTIVITY

- ☑ pH Electrodes, Testers & Accessories
- ☑ Benchtop/Laboratory Meters
- ☑ Controllers, Calibrators, Simulators & Pumps
- ☑ Industrial pH & Conductivity Equipment

DATA ACQUISITION

- ☑ Data Acquisition & Engineering Software
- ☑ Communications-Based Acquisition Systems
- ☑ Plug-in Cards for Apple, IBM & Compatibles
- ☑ Data Logging Systems
- ☑ Recorders, Printers & Plotters

HEATERS

- ☑ Heating Cable
- ☑ Cartridge & Strip Heaters
- ☑ Immersion & Band Heaters
- ☑ Flexible Heaters
- ☑ Laboratory Heaters

ENVIRONMENTAL MONITORING AND CONTROL

- ☑ Metering & Control Instrumentation
- ☑ Refractometers
- ☑ Pumps & Tubing
- ☑ Air, Soil & Water Monitors
- ☑ Industrial Water & Wastewater Treatment
- ☑ pH, Conductivity & Dissolved Oxygen Instruments