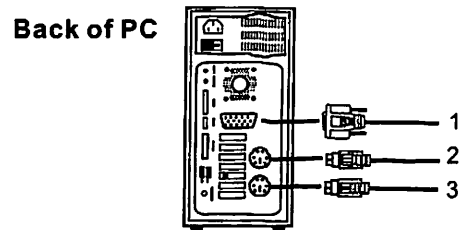
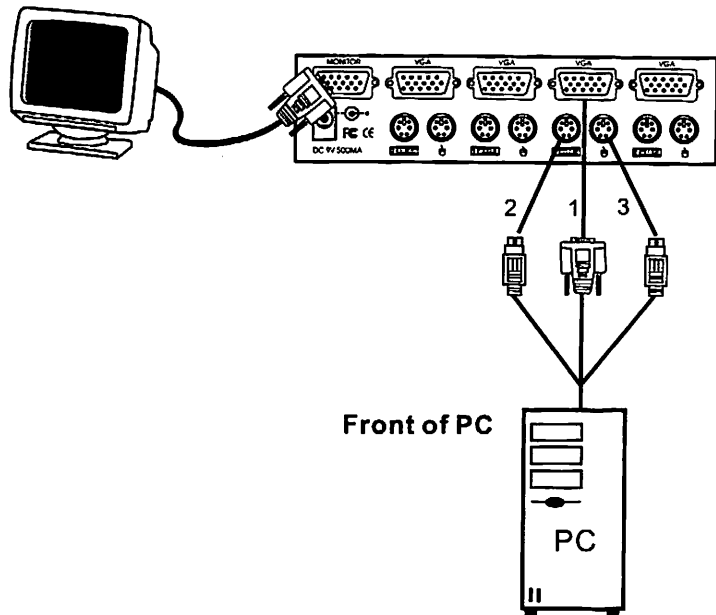
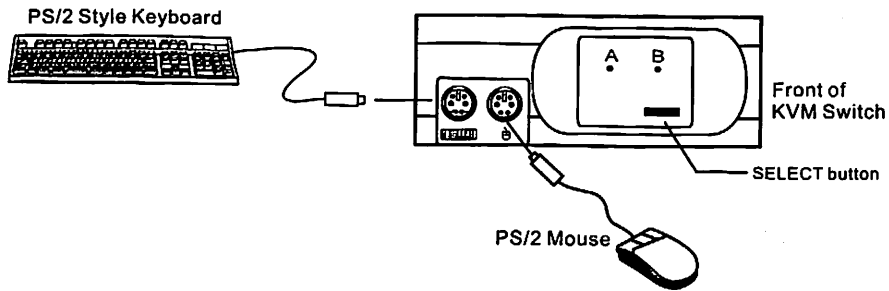


**PS2 KVM
SWITCH BOX
USER MANUAL**



Console Connectors:

Keyboard:	Mini-DIN 6 female
Mouse:	Mini-DIN 6 female
Monitor:	HDDB 15 female

Computer Port Connectors:

Keyboard:	Mini-Din 6 female
Mouse:	Mini-Din 6 female
Monitor:	HDDB 15 female

Dimensions:

	4port	2port
Width:	183mm	119mm
Height:	47mm	47mm
Depth:	111mm	100mm
Weight:	700g	470g

Operating Temperature: 0°C ~ 45°C

Storage Temperature: -20°C ~ 60°C

Cables

The KVM switch requires 2 or 4 sets of cables for connected two or four computers, respectively.

Cables:

- PS/2 cable for keyboard and mouse ports
Mini-DIN6 male/male



- Standard VGA cable for monitor port
HDDB15 male/male with thumbscrews



Others:

- High-resolution/high-refresh rate VGA cable for monitor port
ADDB15 male/male with thumbscrews

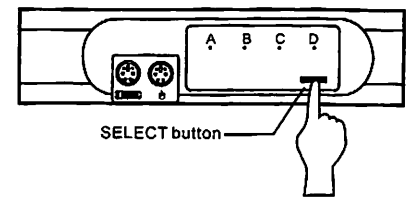
- AT to PS/2 keyboard adapter: For an AT-style keyboard
DIN5 female/Mini-DIN6 male



Configuration

After installation, you can either chose SELECT button that leads you through multiple computers or Hot Key controls.

The SELECT button



Keyboard Hot Key Menu:

KVM Keyboard Hot Key controls provide options outlined in the following. Press Scroll Lock twice and you will hear a beep for verifying Hot Key command mode. Follow by pressing number 1, 2, 3, 4, or letter M and S to switch computer.

Press [Esc] to exit Hot Key mode.

- X2 — BEEP — : Switch to PC1.
- X2 — BEEP — : Switch to PC2.
- X2 — BEEP — : Switch to PC3 (disable with 2 ports KVM Switch).
- X2 — BEEP — : Switch to PC4 (disable with 2 ports KVM Switch).
- X2 — BEEP — : Into Auto Scan Mode. Every computer will be scanned every 10 seconds until escape from the Auto Scan mode.
- X2 — BEEP — : Reset keyboard & mouse.

In AutoScan mode, the KVM switch remains on one port for 10 seconds before switching to the next. Please notice that mouse or keyboard control has been restricted under this circumstance. Press any keys to exit AutoScan mode.

Troubleshooting

Note:

1. This KVM Switch will not detect whether a computer is on or off if the "Power On" function is set in the Bios. Meaning, when you switch to the computer that is turned off, there will be nothing displayed on the monitor.
2. This KVM switch will detect the status of mouse and keyboard after switching (LED is blinking), then using mouse and keyboard again while LED keeps lighting.
3. If mouse can't work after switching or changing another one; fix it with running Reset function of Hot Key Mode.

Video:

Q: There are ghosting, shadowing or fuzzy images on my screen. What can I do?

A:

Cable connection problem is highly likely. Make sure they are attached properly. It is possible that screen resolution and/or refresh rate is high. Otherwise, your power adapter has to be 9VDC, 500mA minimum.

Keyboard/Mouse

Q: The keyboard/mouse is not detected, error reported, or doesn't work after boot up.

A:

Shut down the computer.

Check out cable connection and make sure they are attached properly.

Reboot computer.

Call your dealer if there are any wrong, missing, or damaged parts. Keep the carton, including the original packing materials, to repack the KVM Switch if there is a need to return it for repair.