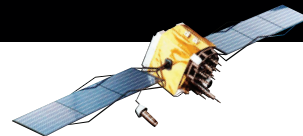


ESCORT®

ESCORT®



DRIVE SMARTER™



Designed in the USA
ESCORT Inc.
5440 West Chester Road
West Chester OH 45069
800.433.3487
www.EscortInc.com

.....
©2012 ESCORT Inc. ESCORT®, PASSPORT®, PASSPORT iQ™ and DEFENDER® are trademarks of ESCORT Inc.
Features, specifications and prices subject to change without notice.

**Ultimate Radar/Laser Detection
Easy 3D Navigation**

U L T I M A T E D R I V I N G C O M P A N I O N

Quick Reference Guide

PASSPORT iQ



U L T I M A T E D R I V I N G C O M P A N I O N

Congratulations

You've just purchased the most advanced combination of radar/laser protection, plus the utility and convenience of portable navigation—the PASSPORT iQ. This remarkable device incorporates our latest technology in radar/laser protection, including our patented “AutoLearn” feature, which automatically eliminates false alerts. We've also pre-loaded our award-winning DEFENDER database, which automatically locates the latest speed traps, speed cameras, and red light cameras here in North America.

Updates are available on a weekly basis. See our website for optional subscription plans.

The PASSPORT iQ also guides you with 3D maps, voice-guided turn-by-turn instructions (including lane assist), and speed limit data, allowing you to get from point A to point B without delays. There is simply nothing else like it.

This quick reference guide is intended to give you an overview of the iQ's amazing features. For complete instructions, please refer to the user's manual enclosed in this package.

Mounting PASSPORT iQ

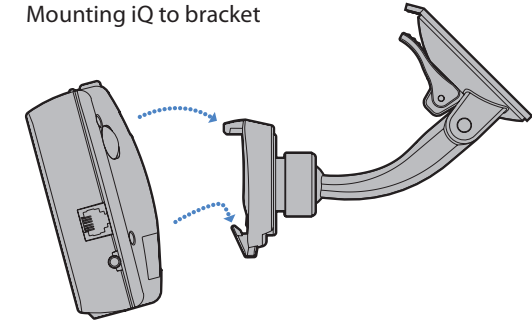
To Mount In Your Vehicle:

1. Attach the EasyMount bracket to your windshield by firmly pressing the suction cup onto the glass and flipping the locking clamp to secure.
2. Slide PASSPORT iQ downward into the EasyMount bracket and push back gently to lock into place.
3. Adjust the EasyMount bracket arm to your preferred view.
4. Remove PASSPORT iQ by pressing the EasyMount release button on top and sliding the device off the mount.

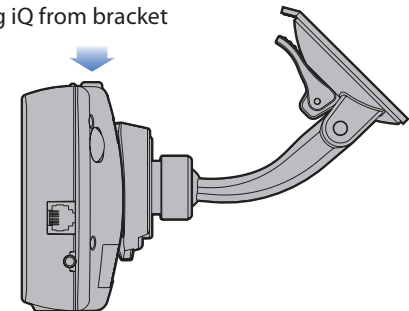
Mounting Tips

- Center between driver and passenger.
- Ensure clear view of road ahead and sky above.
- Avoid windshield wipers and heavily tinted areas.

Mounting iQ to bracket



Removing iQ from bracket



Powering PASSPORT iQ

PASSPORT iQ comes with a built-in rechargeable battery. **Before using it for the first time, we recommend you fully charge the internal battery by connecting it to your computer's USB jack with the supplied USB cable.** Charge time is normally about eight hours. The battery will also charge while it's connected to your vehicle's 12-volt source.

NOTE: Radar/laser detection features cannot run on the PASSPORT iQ battery alone. These functions will only work when your device is connected to your vehicle's power supply via the SmartCord.

To Connect the Power:

1. Plug the small end of the SmartCord into the modular jack on PASSPORT iQ's right side.
2. Plug the SmartCord's lighter-plug adapter into your vehicle's lighter socket or accessory socket.



Battery Charge Indicator

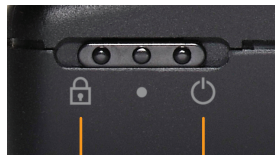
On the front of the iQ (lower left), there is a battery charge indicator that provides feedback on the status of the internal battery: **RED**: Unit is plugged in, but battery is not fully charged. **Alternating RED and GREEN**: Battery is almost fully charged. **GREEN**: Battery is fully charged.

Power Options

- To **turn on** the iQ, slide the power switch on top of the device to the right.
- To **turn off** the iQ, slide the same switch to the right and hold for 4 seconds. The iQ will shut down completely.

NOTE: Touching the "Cancel" button will put the iQ in "battery-only" mode.

- **With 12-volt switched power** (lighter plug turns on/off with the ignition) With the power cord connected, the iQ will automatically go into "suspend" mode (for approx. 2 hours) when you turn off the ignition. A message will appear acknowledging this change. "Suspend" mode turns off the screen, but provides a quick start once 12 volts is applied.
- **Unswitched 12-volt power** (lighter plug has a constant 12 volts) When using the iQ with a constant 12-volt plug, use the power switch to shut it off completely. Unplugging the cord will put the iQ into "suspend" mode (see above). You can also put the iQ into suspend mode by momentarily sliding the power switch to the "on" position.
- **Lock Position** Put the power switch to the "lock" position when not in use or traveling. This will keep the device from using its internal battery.



Lock ← → Power

Battery Warning

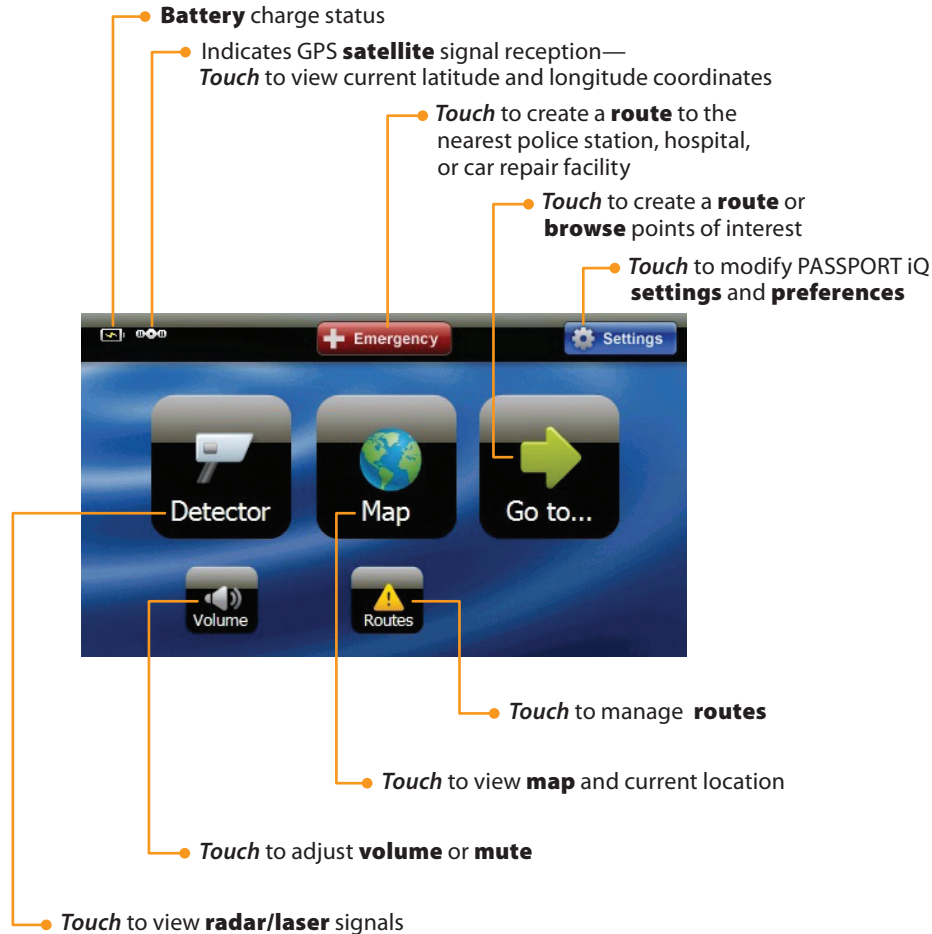
If these guidelines are not followed, the internal lithium-ion battery may experience a shortened lifespan or may present a risk of damage to PASSPORT iQ, fire, chemical burn, electrolyte leak, and/or injury.

- Do not remove or attempt to remove the non-user-replaceable battery.
- Do not leave PASSPORT iQ exposed to a heat source or in a high-temperature location, such as in the sun in an unattended vehicle. To prevent damage, remove from the vehicle or store it out of direct sunlight, such as in a glove box.
- Do not puncture or incinerate.
- When storing PASSPORT iQ for an extended time, store within the following temperature range: 32°F to 77°F (0°C to 25°C).
- Do not operate PASSPORT iQ outside of the following temperature range: -4°F to 131°F (-20°C to 55°C).
- When disposing of PASSPORT iQ, take it to a professional, such as a waste electronics treatment facility, to have the battery removed and recycled.

iQ Features

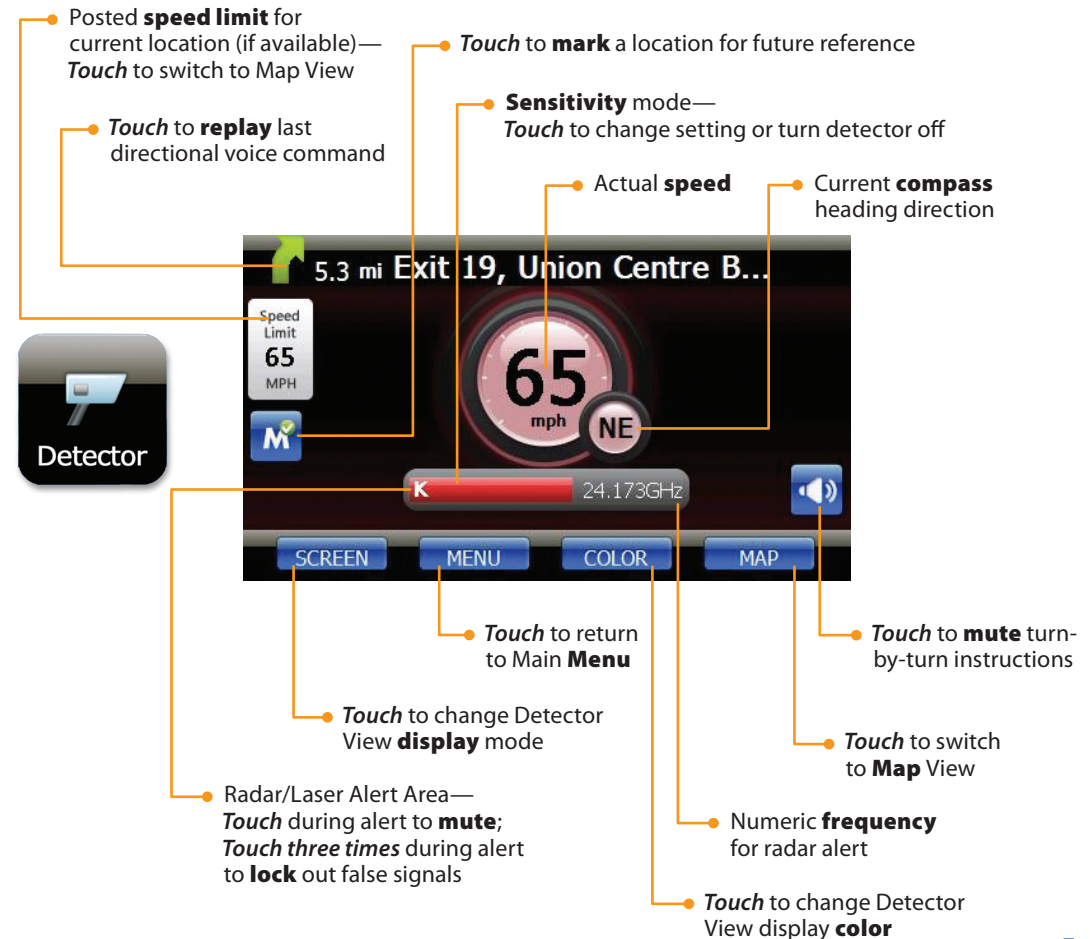


Main Menu



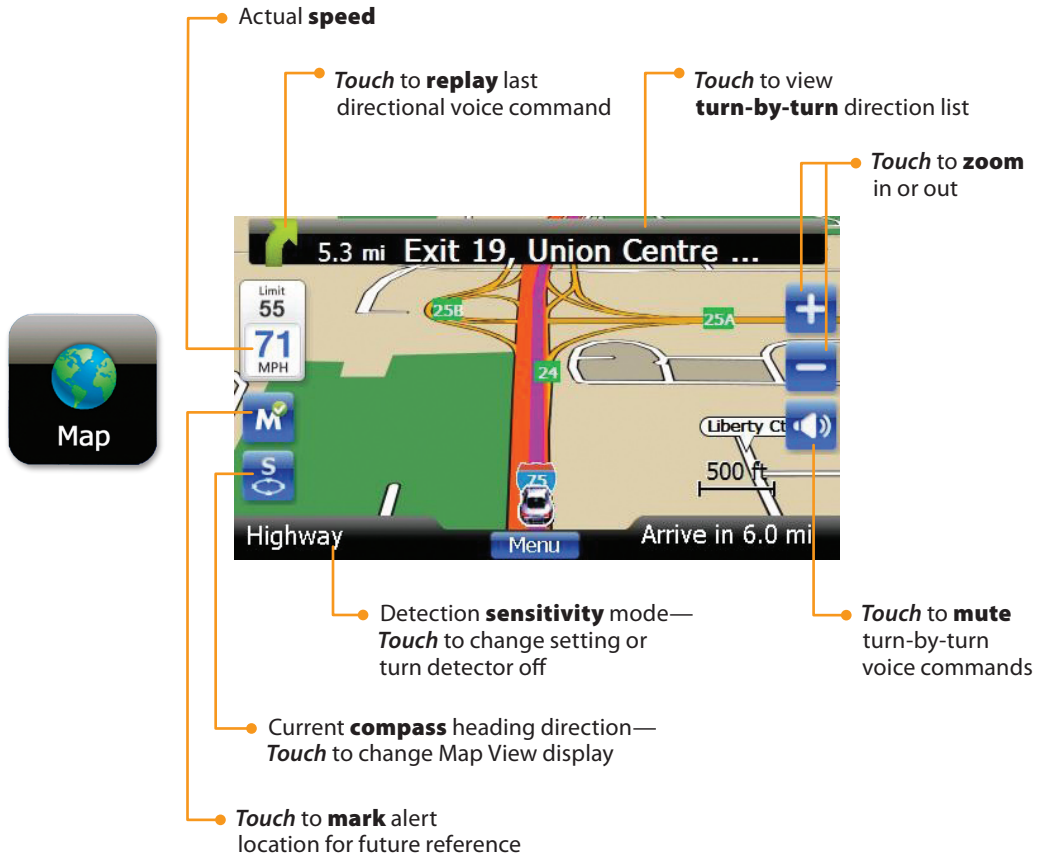
Detector View

Here, multiple screens track and display up to four different radar signals. You can also manage alerts and mark speed traps or safety camera locations for future reference.



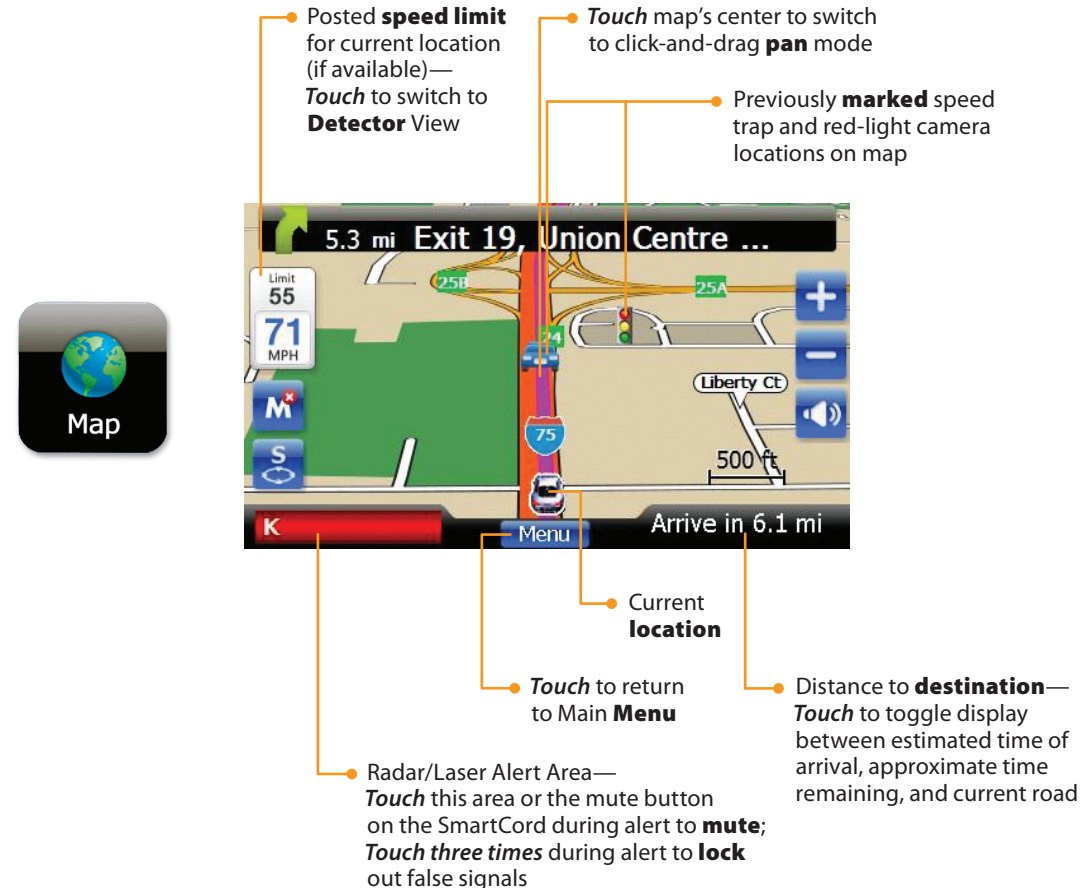
Map View

Here you can view your current location and route on a map. You can also manage alerts and mark speed traps or safety camera locations for future reference.



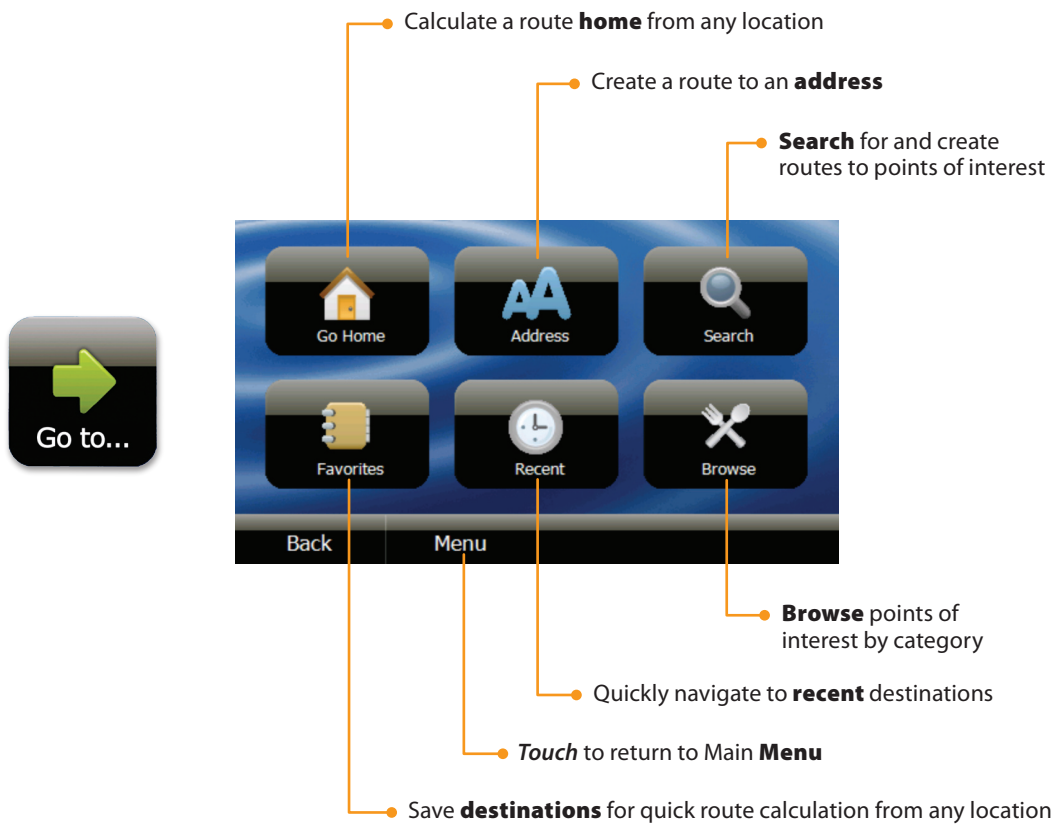
Map View

Map view will also provide speed trap and camera icons directly on the map. Radar and laser alerts are shown in the lower left corner with a corresponding bar graph.



Go To / GPS Navigation Menu

Under “Go To,” multiple options allow you to create routes, search for points of interest and browse categories.



For more details on the all of the features and functionality of the PASSPORT iQ, please see the full user's manual.



To **Register** your new PASSPORT iQ or to order **Subscriptions and Accessories**

800.433.3487 EscortInc.com



3YR

- **3-Year Database Subscription** \$39.⁹⁵
36 months of download access to our DEFENDER® Database, the world's largest speed camera database.



1YR

- **1-Year Database Subscription** \$19.⁹⁵
12 months of download access to our DEFENDER® Database, the world's largest speed camera database.



- **Direct Wire Cord** \$14.⁹⁵

Clear out the clutter from your dash by direct wiring your PASSPORT iQ straight into your fuse box.



- **Direct Wire SmartCord Blue OR Red** \$29.⁹⁵

To power your PASSPORT iQ without monopolizing your cigarette lighter.



- **Beanbag Mount** \$19.⁹⁵

Our Beanbag mount provides an easy way for you to mount your PASSPORT iQ without having to attach it to your windshield.

U L T I M A T E D R I V I N G C O M P A N I O N