

## DALI Controller User Manual

### 1. Product introduction

SR-2302B/ SR-2312B/ SR-2314B are 4-channel DALI dimmer with 1 address.

SR-2303B/ SR-2315B/ SR-2317B are 4-channel DALI dimmer with 4 addresses.

SR-2304B/ SR-2316B/ SR-2318B are 4-channel push-dim DALI dimmer with 1 address.

DALI controllers are compatible with all DALI system from OSRAM, TRIDONIC, HELVAR and so on.

### 2. Parameter file

Part No.	Input Voltage	Max load current	Max Output Power	Load Type	Remarks
SR-2302B	12-36VDC	4×5A	4×(60-180)W	Regular LED (0.04-0.1W)	1 DALI address
SR-2302BEA	12-36VDC	4×8A	4×(96-288)W	Regular LED (0.04-0.1W)	1 DALI address
SR-2312B	12-36VDC	4×0.350A	4×(4.2-12.6)W	High Power LED (1W)	1 DALI address
SR-2314B	12-36VDC	4×0.70A	4×(8.4-25.2)W	High Power LED (3W)	1 DALI address
SR-2303B	12-36VDC	4×5A	4×(60-180)W	Regular LED (0.04-0.1W)	4 DALI address
SR-2303BEA	12-36VDC	4×8A	4×(96-288)W	Regular LED (0.04-0.1W)	4 DALI address
SR-2315B	12-36VDC	4×0.350A	4×(4.2-12.6)W	High Power LED (1W)	4 DALI address
SR-2317B	12-36VDC	4×0.70A	4×(8.4-25.2)W	High Power LED (3W)	4 DALI address
SR-2304B	12-36VDC	4×5A	4×(60-180)W	Regular LED (0.04-0.1W)	1 DALI address
SR-2304BEA	12-36VDC	4×8A	4×(96-288)W	Regular LED (0.04-0.1W)	1 DALI address
SR-2316B	12-36VDC	4×0.350A	4×(4.2-12.6)W	High Power LED (1W)	1 DALI address
SR-2318B	12-36VDC	4×0.70A	4×(8.4-25.2)W	High Power LED (3W)	1 DALI address

### 3. Function and Wiring

3.1 DALI address can be automatically assigned by DALI master and also can be set manually. DALI shows address via screen.

- Set address automatically by DALI master.

Please follow DALI master user manual to assign address automatically. When DALI master control DALI controller, it shows "AU" on screen.



● K1 ● K2

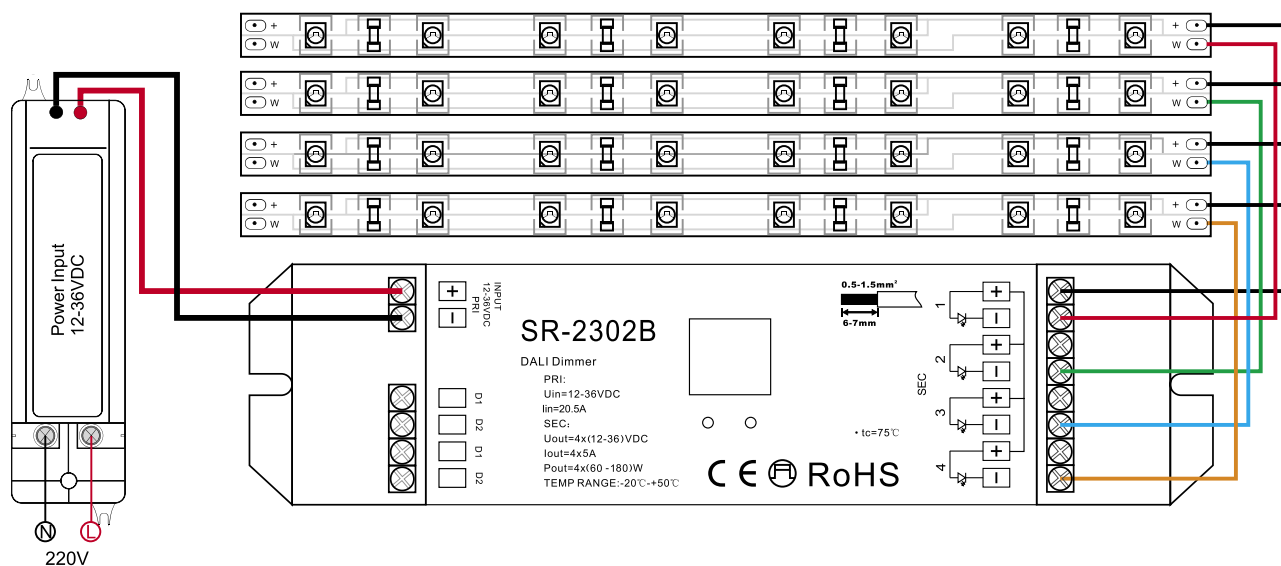
Press any key (K1 or K2) for over 3 seconds, then screen flashes which indicates the state of setting address, then short press on the K1 or K2 button to set the address from "00" to "63". After setting the desired address, hold fingers on any key (K1 or K2) for over 3 seconds, screen stop flashing which indicates the success of setting address.

3.2 Work with amplifier to expend power unlimitedly.

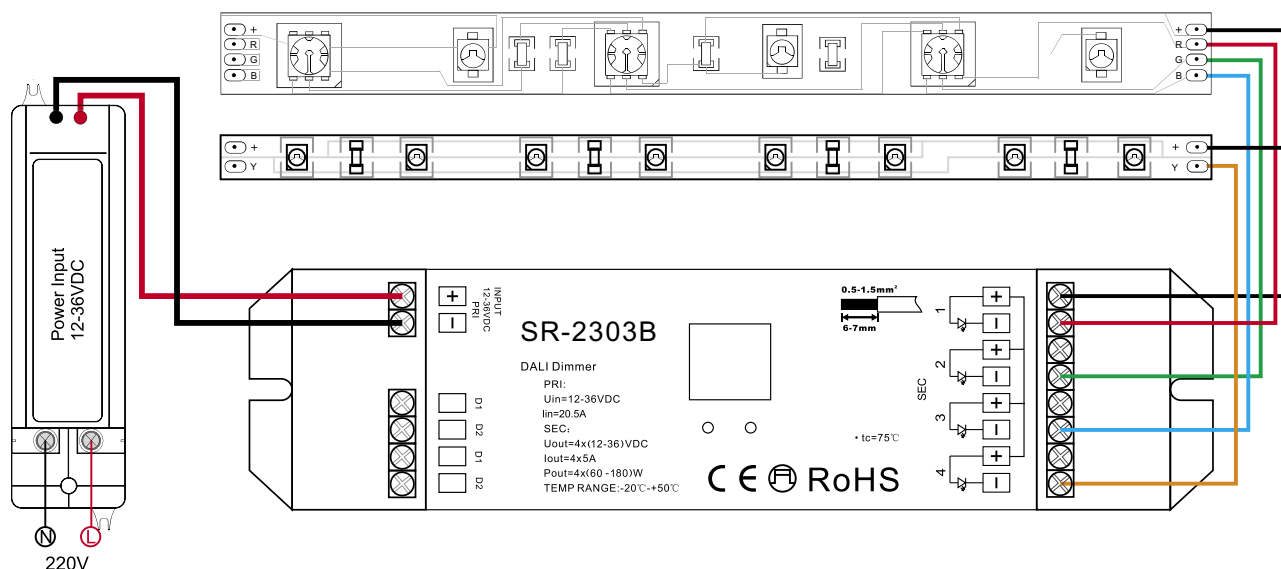
## 4. Wiring diagram

### 4.1 SR-2302B/ SR-2312B/ SR-2314B—ideal for single color LED lighting- 1 address

White colorLED light

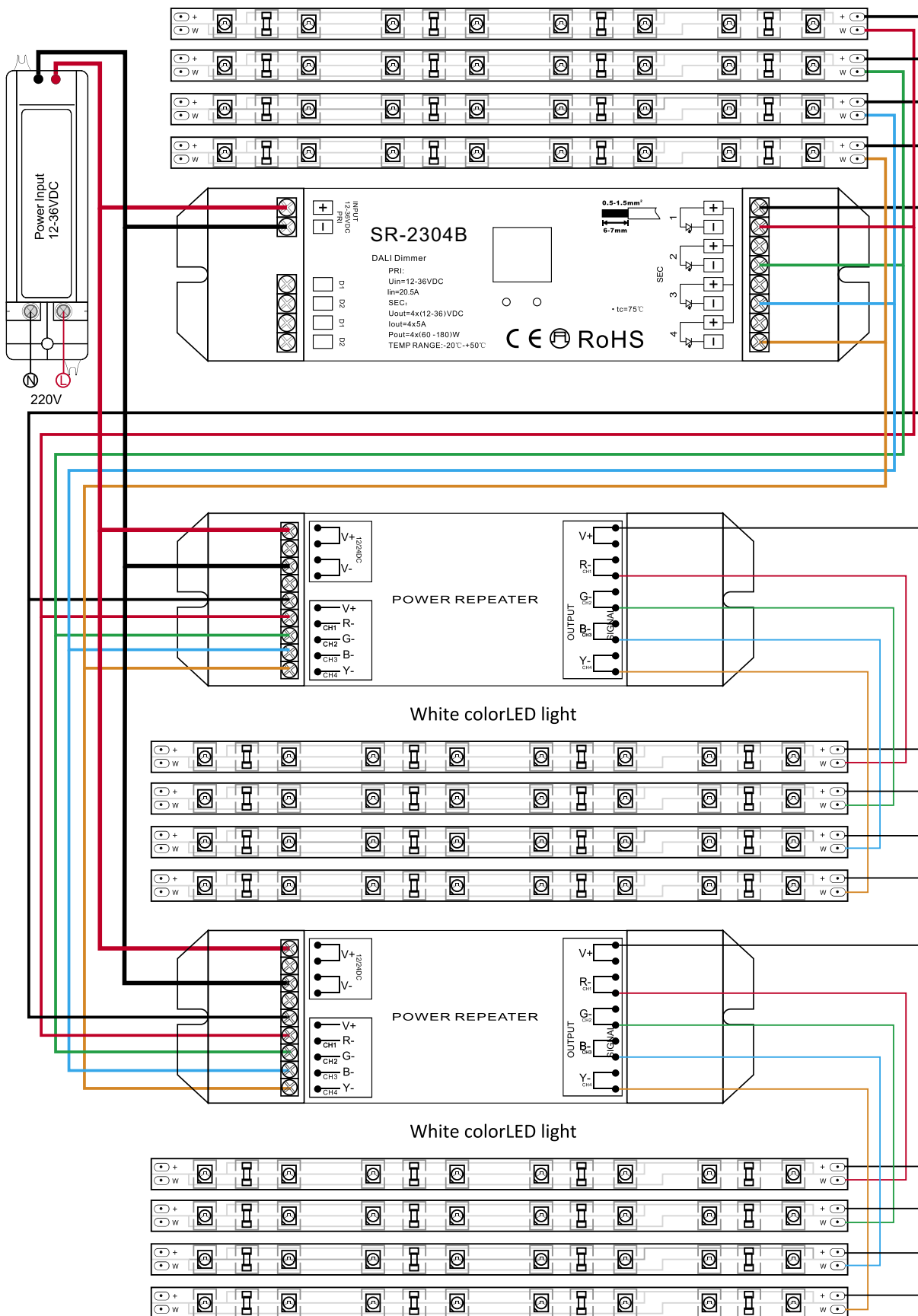


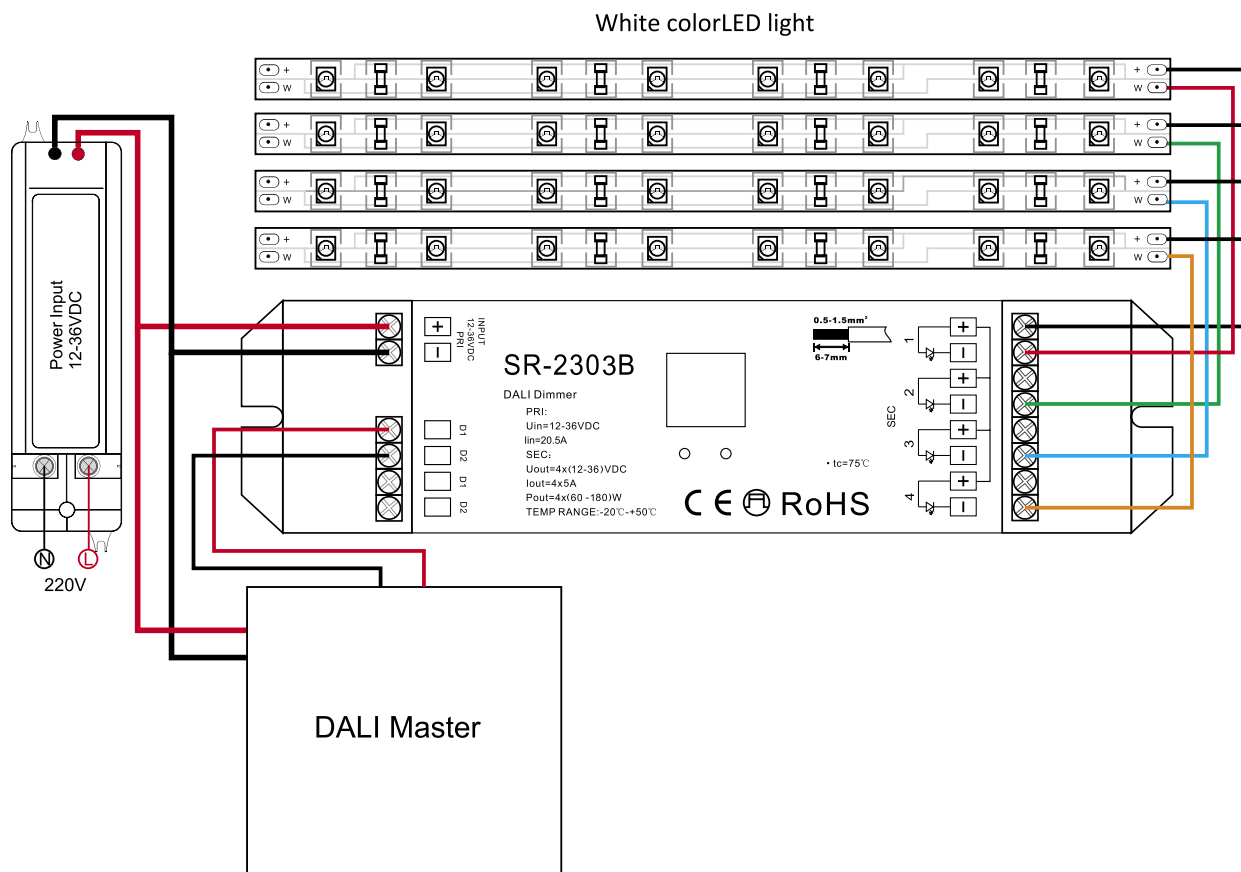
### 4.2 SR-2303B/ SR-2315B/ SR-2317B—ideal for RGB+W LED lighting- 4 addresses



**4.3 SR-2304B/ SR-2316B/ SR-2318B— ideal for single color LED lighting ( control by DALI system & push dim button)**

White colorLED light





**1. Operation under DALI dimming mode**

Under this mode, DALI device is just a standard DALI dimmer, it can connect DALI master signal with DALI signal input port. Dimming lightings are operated by DALI master.

**2. Operation as 1-Button push dimmer**

Under this mode, DALI device can be isolated from DALI system. It can operate as an independent dimming controller. Through a switch, L-LINE of AC (200-240 VAC) can connect with another DALI input port. Press switch less than 0.5 seconds, it can switch ON/OFF of lightings. Press switch over 1.5 seconds, it can do dimming operation. First press switch over 1.5 seconds, the lightings will be brighter. Then press switch over 1.5 seconds, the lightings will be darker. After entering to this mode, the screen shows “PD” – “PUSH DIMMER” mode.

**3. Switching of 2 modes**

Either the DALI dimmer wiring with DALI signal input or PUSH DIMMER wiring with AC (200-240VAC) signal, DALI input port must be unique. It's unable to access 2 signals at the same time. Under DALI dimmer mode, DALI device enters into PUSH DIMMER mode with AC (200-240VAC) signal. Under PUSH DIMMER mode, device enters into DALI dimmer mode with DALI signal. And it shows the previous set address. Within back and forth switching modes process, the DALI address won't be lost or changed.