

# USR-C322

## - Low Power Minisize WiFi Module User Manual

### V2.2



- Support Wi-Fi@2.4 GHz 802.11 b/g/n wireless standards
- Based on ARM Cortex-M4 kernel running frequency of 80 MHz
- Support WEP、WPA/WPA2 security mode
- Support AP/STA working mode
- Support Simplelink/uslink Networking configuration
- Support custom web function
- Fully integrated serial port turn wireless TCP/UDP transmission function,the rate of serial port up to 3M bps
- Supports 485 trans control
- Support two uart and three socket communication
- Support PC1 16 bytes encryption when work in trans mode
- Support the HTTPD Client function
- Support websocket function
- Support SSL Client function
- Search in local area network (LAN) and wireless parameters setting function
- Support TCP/UDP Client registered packet mechanism
- Support similar RFC2217 automatic baud rate adaptation function
- Support AT+ simple instruction set configuration
- Single 3.3 V power supply
- Ultra low power mode, support deep dormancy
- Support Internal/External(I-PEX) Antenna Option

- Minisize:18.22mm\*26.65mm\*2.8mm SMT
- FCC/CE Certificated

## Catalogue

<b>1、 Module Overview.....</b>	<b>4</b>
<b>1.1 Module Overview.....</b>	<b>4</b>
<b>1.2 Characteristics of Module.....</b>	<b>4</b>
<b>1.3 functional block diagram.....</b>	<b>6</b>
<b>1.4 Product Feature.....</b>	<b>6</b>
<b>1.5 Application Area.....</b>	<b>7</b>
<b>2、 Hardware Description.....</b>	<b>9</b>
<b>2.1 Pin Definitions.....</b>	<b>9</b>
<b>2.2 Antenna Shows.....</b>	<b>10</b>
<b>2.3 Size and Layout Recommendations.....</b>	<b>11</b>
<b>2.4 The Hardware Circuit Design Reference.....</b>	<b>12</b>
<b>3、 Product Function.....</b>	<b>14</b>
<b>3.1 Wireless Network Mode.....</b>	<b>14</b>
<b>3.2 Work Mode.....</b>	<b>15</b>
<b>3.3 Socket Communication.....</b>	<b>18</b>
<b>3.4 Custom web function.....</b>	<b>23</b>
<b>3.5 Search in local area network.....</b>	<b>23</b>
<b>3.5 TCP/UDP Client Registration Packet Mechanism.....</b>	<b>23</b>
<b>3.7 Fast Access Wi-Fi(usrlink).....</b>	<b>24</b>
<b>3.8 Simplelink Configuration.....</b>	<b>27</b>
<b>3.9 RFC2217 Automatic Baud Rate Function.....</b>	<b>27</b>

<b>3.10 Sleep Mode Introduction.....</b>	<b>28</b>
<b>4、 Parameter Setting.....</b>	<b>30</b>
<b>4.1 Web Page Configuration.....</b>	<b>30</b>
<b>4.2 AT+ Commands Configuration.....</b>	<b>39</b>
<b>5、 service and support.....</b>	<b>61</b>
<b>Appendix A: Contact Information.....</b>	<b>62</b>
<b>Appendix B: Disclaimer.....</b>	<b>62</b>
<b>Appendix C: Update History.....</b>	<b>62</b>

# 1、Module Overview

## 1.1 Module Overview

USR - C322 is a high-performance module of the series wifi module C32. The module is a low-power 802.11 b/g/n modules that design for achieving the application of the embedded system, wireless network communication. Through the module, the customer can set a physical device connected to a wifi network, so as to realize the control and management of the Internet of iot.

The hardware of module integrate MAC, baseband chip, rf transceiver unit, as well as the power amplifier; Adopting CC3200 chip of TI company, the kernel of industrial-grade ARM architecture (M4 kernel, running frequency of 80 MHZ. The internal ultra-low power operation mechanism, can run effectively low-power module; Support WiFi protocol and TCP/IP protocol, the user only needs simple configuration, can achieve the function of UART devices connected to the Internet.

Small size, easy to welding in the customer product veneer of hardware circuit. And the module can choose the application of the internal or external antenna, supplying customers multiple choices.

Module size: 18.22 mm \* 26.65 mm \* 2.8 mm SMT assembly

The basic function of the module is described below:

- Can work in AP mode for other WIFI devices access communication, can also work in the STA mode, access to the wireless router to realize communication
- With Socket communication links, can be set to TCP/UDP trans, HTTPD Client, WEB sockets, SSL Client communication. TCP/UDP trans can support TCP Server、TCP Client、UDP Server、UDP Client.
- Module supports UART translate, can use AT commands to arbitrary switching.

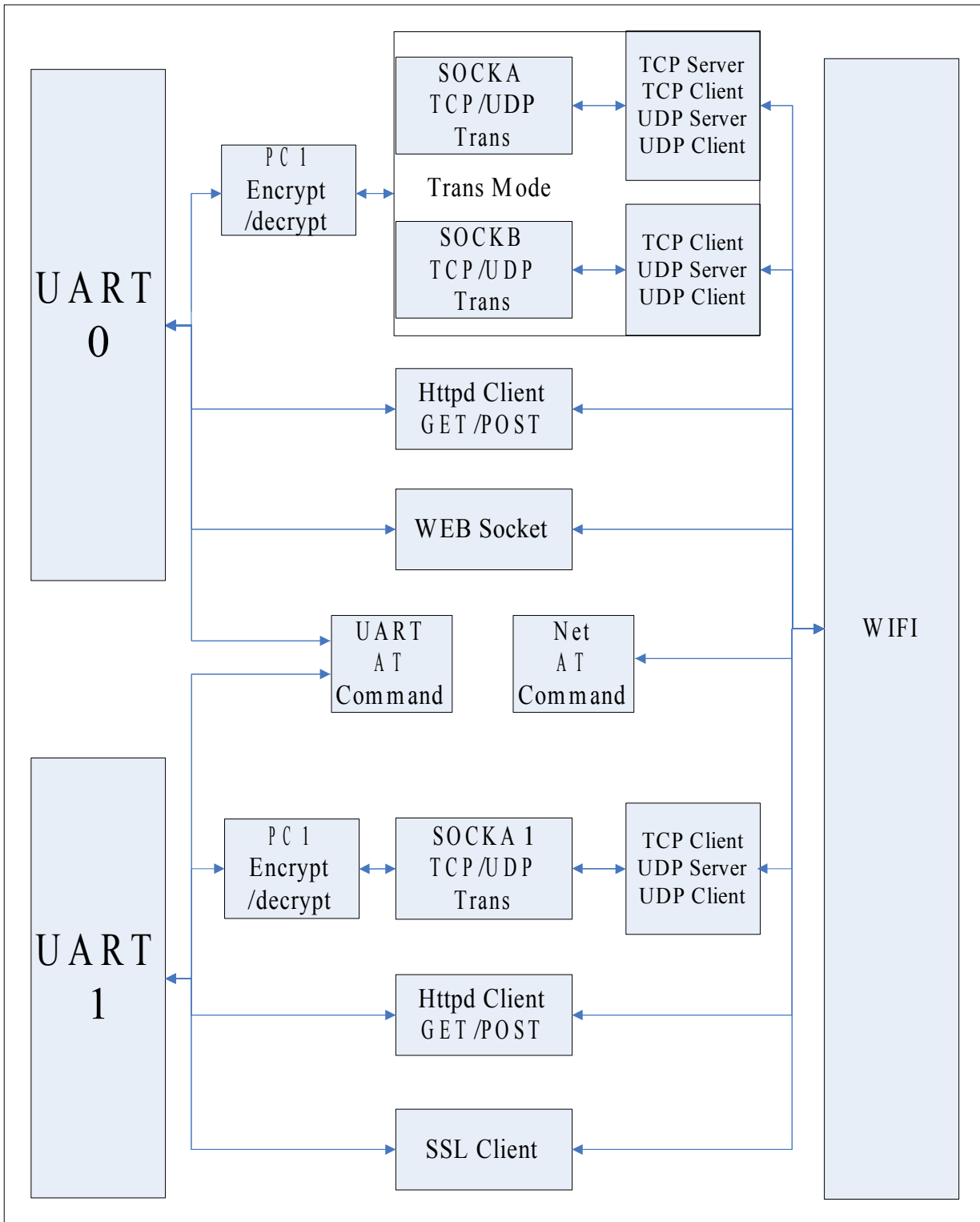
If you have problems when use the module, you can submit the question to <http://h.usriot.com>. We will solve your question at the first time.

## 1.2 Characteristics of Module

- Support Wi-Fi@2.4 GHz 802.11 b/g/n wireless standards
- Based on ARM Cortex-M4 kernel running frequency of 80 MHZ
- Support WEP、WPA/WPA2 security mode
- Support AP/STA working mode
- Support Simplelink/usrlink Networking configuration
- Support custom web function
- Fully integrated serial port turn wireless TCP/UDP transmission function, the rate of serial port up to 3M bps
- Supports 485 trans control
- Support two uart and three socket communication
- Support PC1 16 bytes encryption when work in trans mode

- Support the HTTPD Client function
- Support websocket function
- Support SSL Client function
- Search in local area network (LAN) and wireless parameters setting function
- Support TCP/UDP Client registered packet mechanism
- Support similar RFC2217 automatic baud rate adaptation function
- Support AT+ simple instruction set configuration
- Single 3.3 V power supply
- Ultra low power mode, support deep dormancy
- Support Internal/External(I-PEX) Antenna Option
- Minisize:18.22mm\*26.65mm\*2.8mm SMT
- FCC/CE Certificated

### 1.3 functional block diagram



### 1.4 Product Feature

Module parameters

classify	parameter	value
----------	-----------	-------

Wireless Parameter	Certification	FCC/CE
	Wlan Standard	802.11 b/g/n
	Transmit Power	17.0 dBm @ 1 DSSS
		17.25 dBm @ 11 CCK 13.5 dBm @ 54 OFDM
	Receive Sensitivity	-94.7 dBm @ 1 DSSS
-87.0 dBm @ 11 DSSS -73.0 dBm @ 54 OFDM		
Antenna	External:I-PEX	
	Internal:On-board antenna	
Hardware	Data Interface	UART 300-3M bps
	Working Voltage	3.0V~3.6V
	Working Current	(voltage 3.3 V)
		Continue to send:~75mA
		normal mode:average: ~18mA, top: 200mA In the web:3.5mA Standby:lowest 25uA
	Working Temperature	-40°C- 85°C
	Storage Temperature	-45°C- 125°C
Size	18.22mm*26.65mm*2.8mm	
Footprint	SMT	
Software	Wireless Network Type	AP/STA
	Security Regime	WEP/WPA-PSK/WPA2-PSK
	Encryption Type	TKIP,AES,TKIP/AES
	Networking Protocol	IPv4, TCP/UDP
	User Configuration	AT+ instruction set Web

## 1.5 Application Area

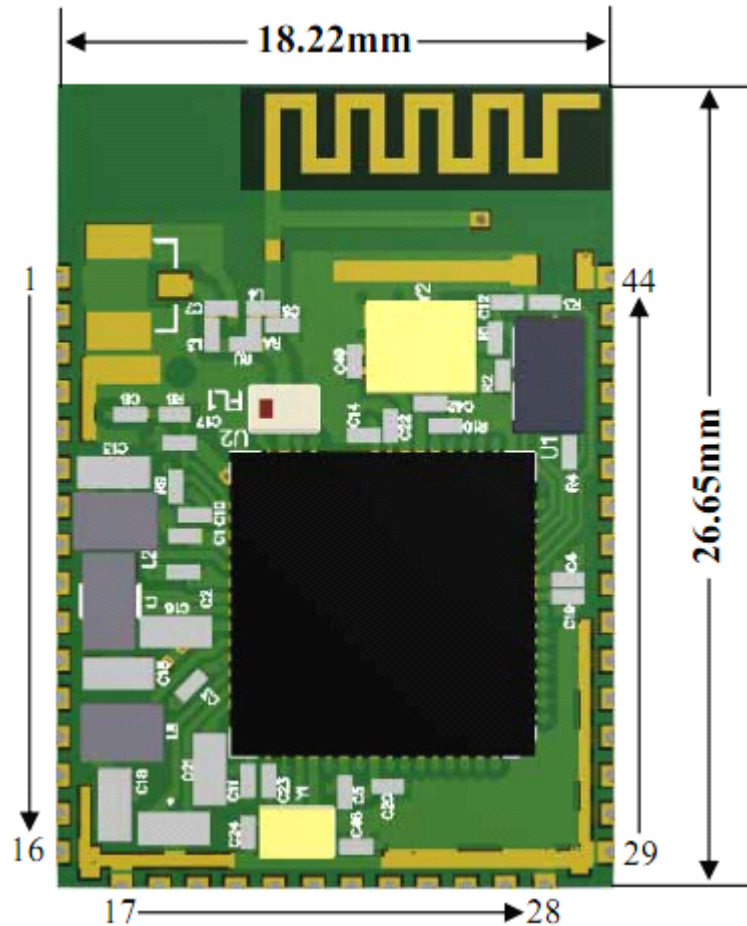
- Cloud Connected
- Home Automation
- Household Appliances
- Access Control
- Security and Protection System
- Smart Energy
- Industrial Control
- Intelligent Electrical Outlet Box/Instrument Measurement
- IPNetwork Sensor Nodes



- Wireless Printer

## 2、Hardware Description

### 2.1 Pin Definitions



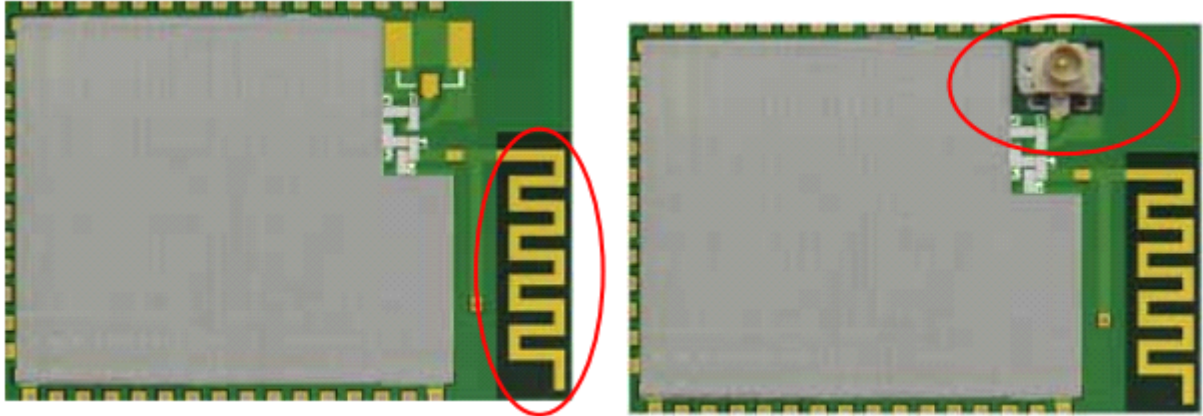
The module pin

Pin	Net Name	Functional Description
1	GND	GND
2	GPIO	General GPIO
3	GPIO	General GPIO
4	nReset	Module reset pin, low level effectively
5	SOP2	Start the choice, default NC
6	SOP1	Start the choice, default NC
7	SOP0	Start the choice,default NC
8	ANA DC-DC	The RF power output pin, hung up
9	NC	NC
10	NC	NC
11	GND	GND
12	GND	GND
13	VBT_CC	Power input pin, please connect + 3.3 V
14	VDD_ANA2	RF Power input pin, please connect + 3.3 V

15	GPIO	General GPIO
16	NC	NC
17	GND	GND
18	GPIO	General GPIO
19	UART TX	UART TX for module
20	UART RX	UART RX for module
21	nReload	Module factory default pin, low level effectively, simplelink start
22	nReady	Work instructions pin of module, low effective, connect an external LED
23	nLink	WiFi link pin of module, low effective, connect an external LED
24	UART CTS	A serial port flow control pin CTS
25	UART RTS	A serial port flow control pin RTS
26	GPIO	General GPIO
27	GPIO	General GPIO
28	GND	GND
29	GND	GND
30	UART1 TX	UART TX for module
31	UART1 RX	UART RX for module
32	GPIO	General GPIO
33	GPIO	General GPIO
34	GPIO	General GPIO
35	GPIO	General GPIO
36	GPIO	General GPIO
37	GPIO	General GPIO
38	GPIO	General GPIO
39	NC	NC
40	NC	NC
41	GPIO	General GPIO
42	NC	NC
43	NC	NC
44	GND	GND

## 2.2 Antenna Shows

Module has two antenna version, internal antenna and external IPEX interface respectively:

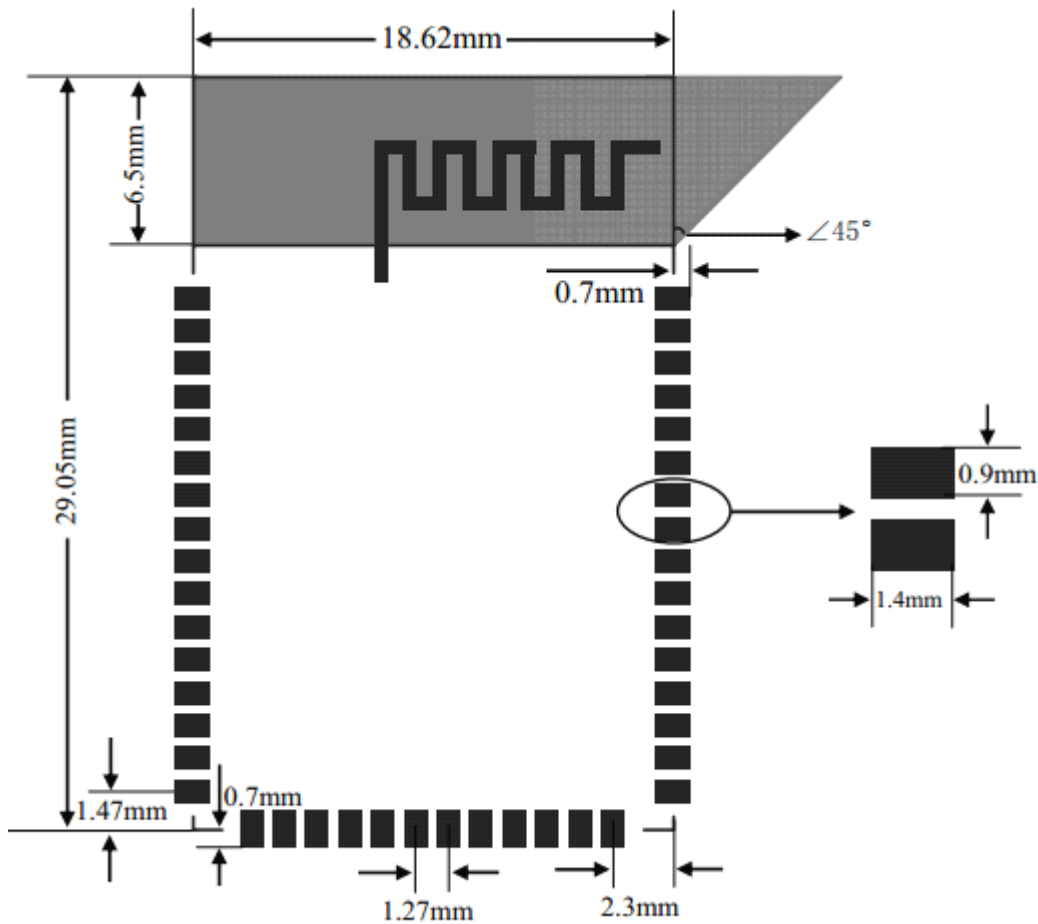


Internal Antenna

External:I-PEX

### 2.3 Size and Layout Recommendations

- Suggest PCB size: you can download the PCB footprint from our homepage.



Cloth plate specification:

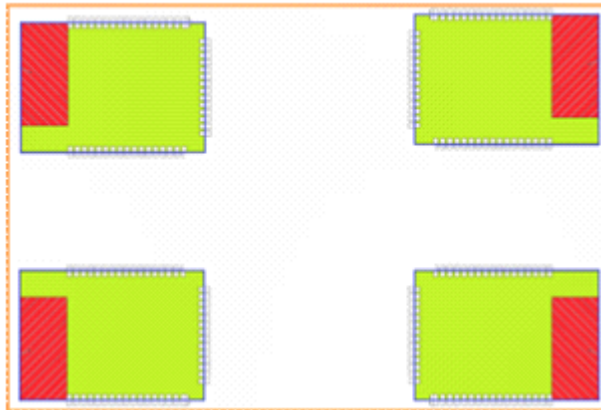
#### 1) Internal Antenna

Customers to use the internal antenna, the need to abide by the following considerations and internal antenna module placed general rules:

On the user's PCB, and grey shaded area above the corresponding area cannot be placed components and GND.

- Antennas away from the metal, at least distance with high components around more than 10 mm;
- Antenna part cannot be metal shell, plastic shell need at least more than 10 mm away from the antenna;

It is suggested that module is placed in the following areas of the user's board as far as possible, to reduce the influence of the antenna and wireless signal, and at the same time, please consult someone technical support staff to assist the placement of modules and related areas of the Layout design.



## 2) external antenna

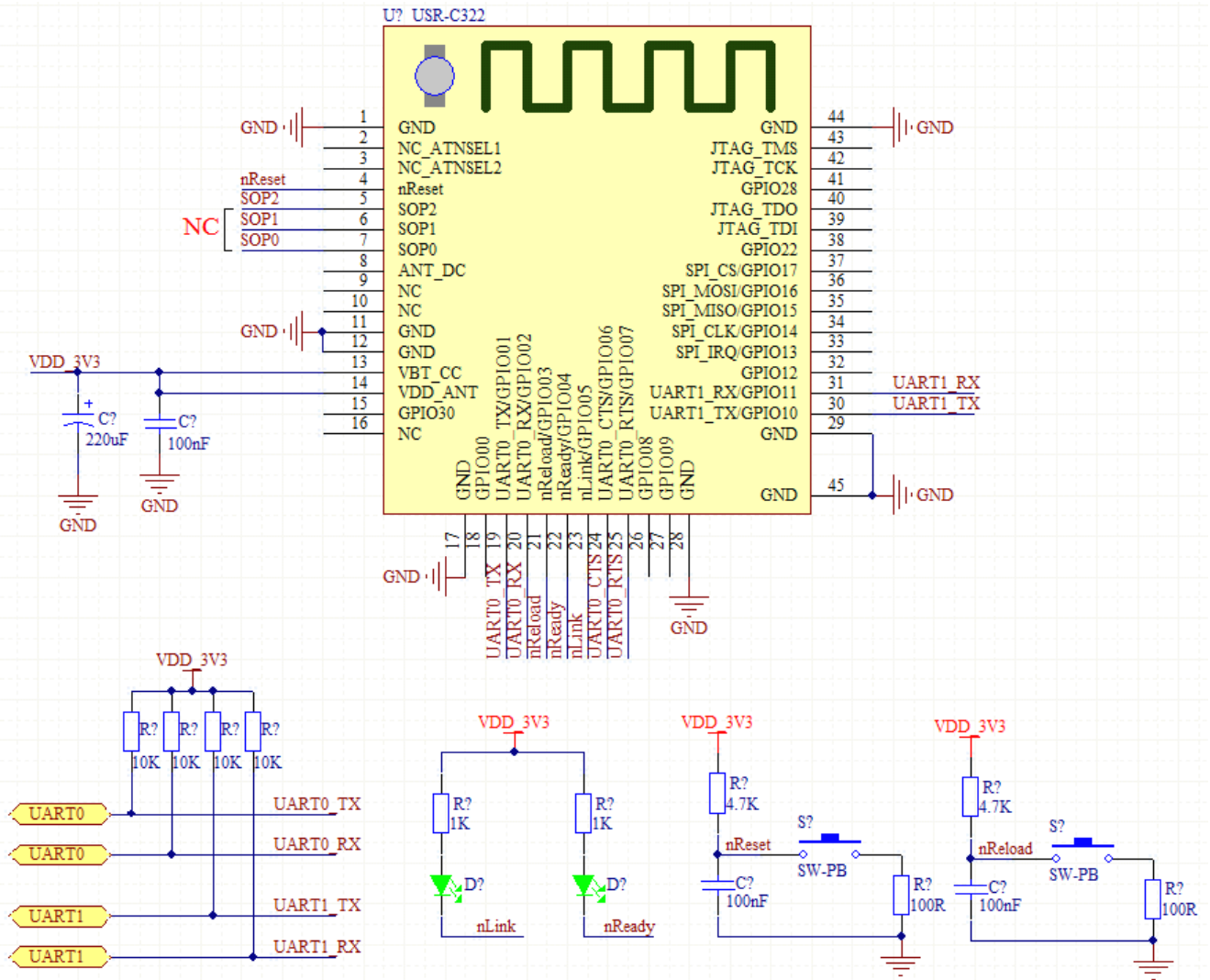
Customers to use external antenna lead, according to the requirement of the IEEE802.11 b/g/n standard, need to connect the 2.4 g external antenna. External antenna using IPEX interface. The parameters of the external antenna requirements in the table below details.

item	paramter
frequency range	2.4~2.5GHz
impedance	50 Ohm
VSWR	2 (Max)
Return Loss	-10dB (Max)
Connection Type	IPEX

## 2.4 The Hardware Circuit Design Reference

The hardware design considerations:

- Need to add more than 200uf capacitance module power supply pin.
- SOP0、SOP1、SOP2 no connect.
- Reset、Reload need to pick up on the 4.7 K resistor.
- nLink,nReady Effective for low level output.
- Serial port RXD, TXD need to pick up on the 10K resistor.



## 3、Product Function

### 3.1 Wireless Network Mode

There are two kinds of wireless module WIFI working mode: the STA and AP, can provide users with flexible network mode and the network topology method.

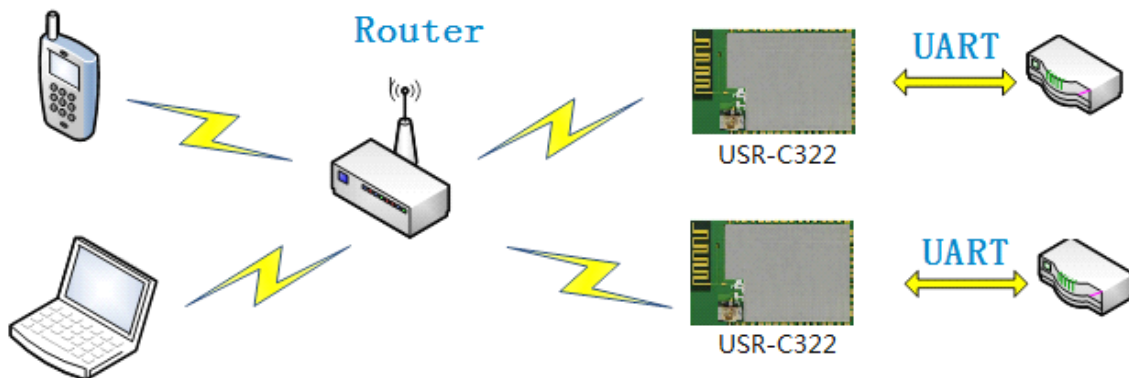
< Nouns that >

AP: The wireless access point, is the center of a wireless network node. Commonly used wireless router is an AP, other wireless terminal can be interconnected by AP

STA: wireless site, is a wireless network terminal. Such as notebook computer, PDA, etc.

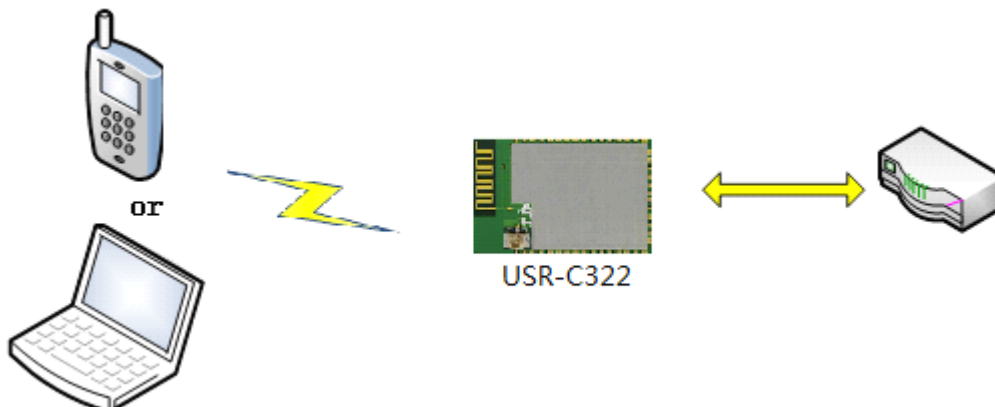
#### 3.1.1 Module As a STA

Module as the STA is one of the most commonly used network mode, and is composed of a router AP and many STA, the following figure. Its characteristic is AP in a central position, communication between the STA forward by AP.



#### 3.1.2 Module As a AP

Modules as AP mode, can achieve phone/PAD/computer without any configuration, fast access module for data transmission. In addition, you can login module internal web page to set parameters



< **note** > : module in AP mode, can support only 1 STA access devices.

### 3.1.3 Encryption Type

Encryption is scrambling to message data, ensure the security of data transmission, increase the security of communication. Support multiple wireless network encryption methods, including:

- WEP
- WPA-PSK/TKIP
- WPA-PSK/AES
- WPA2-PSK/TKIP
- WPA2-PSK/AES

## 3.2 Work Mode

Module consists of two work modes: Socket trans mode and command mode

- **Socket Tran Mode**

In this mode, the module realizes the UART and transparent transmission between network, realize common serial data transfer between devices and network equipment.

- **Command Mode**

In this mode, the user can through the AT command to UART module and query and network parameters Settings. When using the AT + ENTM exit command mode, the default back to translate mode.

### 3.2.1 Socket Trans Mode

#### 1. Socket Trans Mode Description

USR-C322 can support serial modes,include:TCP/UDP Trans,Httpd Client,SSL Client,WEB Socket.

#### 1.1 TCP/UDP Trans

UART interface can transparent transmission mode has the advantage of UART interface and network communication of the plug and play, which reduce the complexity of the user to a great extent. Modules to work in a transparent transmission mode, the users only need to configure the necessary parameters, UART interface and network communication can be realized. After power on, module automatically connected to the wireless network and server configured.

Transparent transmission mode is fully compatible with your own software platform, reducing the workload of integration of wireless data transmission software development.PC1 encryption can be enable in trans mode.The data recived from uart0 will be encrypted by PC1 then uploaded to the Socket.The data recived from socket will be decrypted then send the data through serial port.

Users need to preset parameters usually include:

- Wireless network parameters
  - ◆ SSID
  - ◆ security mode



- ◆ secret key
- TCP/UDP parameter
  - ◆ protel
  - ◆ connection type
  - ◆ destination port
  - ◆ destination address
- UART parameter
  - ◆ Baud rate
  - ◆ data bits
  - ◆ stop bit
  - ◆ parity bit
  - ◆ Hardware flow control

**Note: About PC1 encryption method , please refer to the website information**

**"USR-C322 PC1 Encrypt in Trans Mode User Manual V1.0".**

**Download Address:** <http://www.usriot.com/Download/236.html>

## 1.2 Httpd Client mode

HttpdClient mode is packaged serial data packets into the HTTP protocol packets and sent to the server, the server returned data via a serial port printed. Support POST, GET mode, UART0, UART1 support this mode.

## 1.3 SSL Client mode

SSL communication is encrypted security passthrough communication, support the TCP Client mode.

Encryption types supported:

- ◆ SSLV3
- ◆ TLSV1
- ◆ TLSV1\_1
- ◆ TLSV1\_2
- ◆ SSLv3\_TLSV1\_2
- ◆ DLSV1

The encryption algorithm support:

- ◆ SSL\_RSA\_WITH\_RC4\_128\_SHA
- ◆ SSL\_RSA\_WITH\_RC4\_128\_MD5
- ◆ TLS\_RSA\_WITH\_AES\_256\_CBC\_SHA
- ◆ TLS\_DHE\_RSA\_WITH\_AES\_256\_CBC\_SHA
- ◆ TLS\_ECDHE\_RSA\_WITH\_AES\_256\_CBC\_SHA
- ◆ TLS\_ECDHE\_RSA\_WITH\_RC4\_128\_SHA
- ◆ SECURE\_DEFAULT

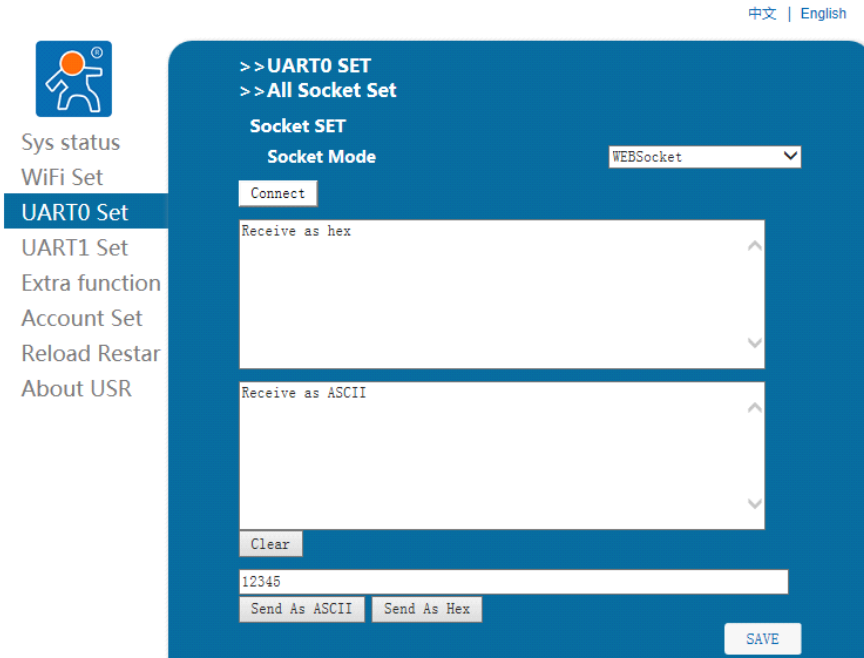
Support encryption certificate Settings (reference wireless upgrade software encryption certificate burning method). Only UART1 support this pattern.

**Note: About SSL Client , please refer to the website information "USR-C322 SSL Client User Manual V1.0".**

**Download Address:** <http://www.usriot.com/Download/236.html>

## 1.4 WEB socket mode

Support web page websocket passthrough module as the webserver, port 8000, maximum four client connection. Can login module built-in test page. Only UART0 support this pattern.



**Note: About WEB Socket function , please refer to the website information**

**"USR-C322 WEB Socket User Manual V1.0".**

**Download Address:** <http://www.usriot.com/Download/236.html>

## 2. UART Frame Scheme

Module in the receiving UART data, will continue to check the time interval of two adjacent bytes. If the time interval is greater than the set packing time (default 5 ms, can be set up by the AT + UARTTE), argues that the end of a frame, or has been receiving data, in command mode is greater than 1 k bytes are discarded the received data, in translate mode is greater than 1 k bytes are sent packing.

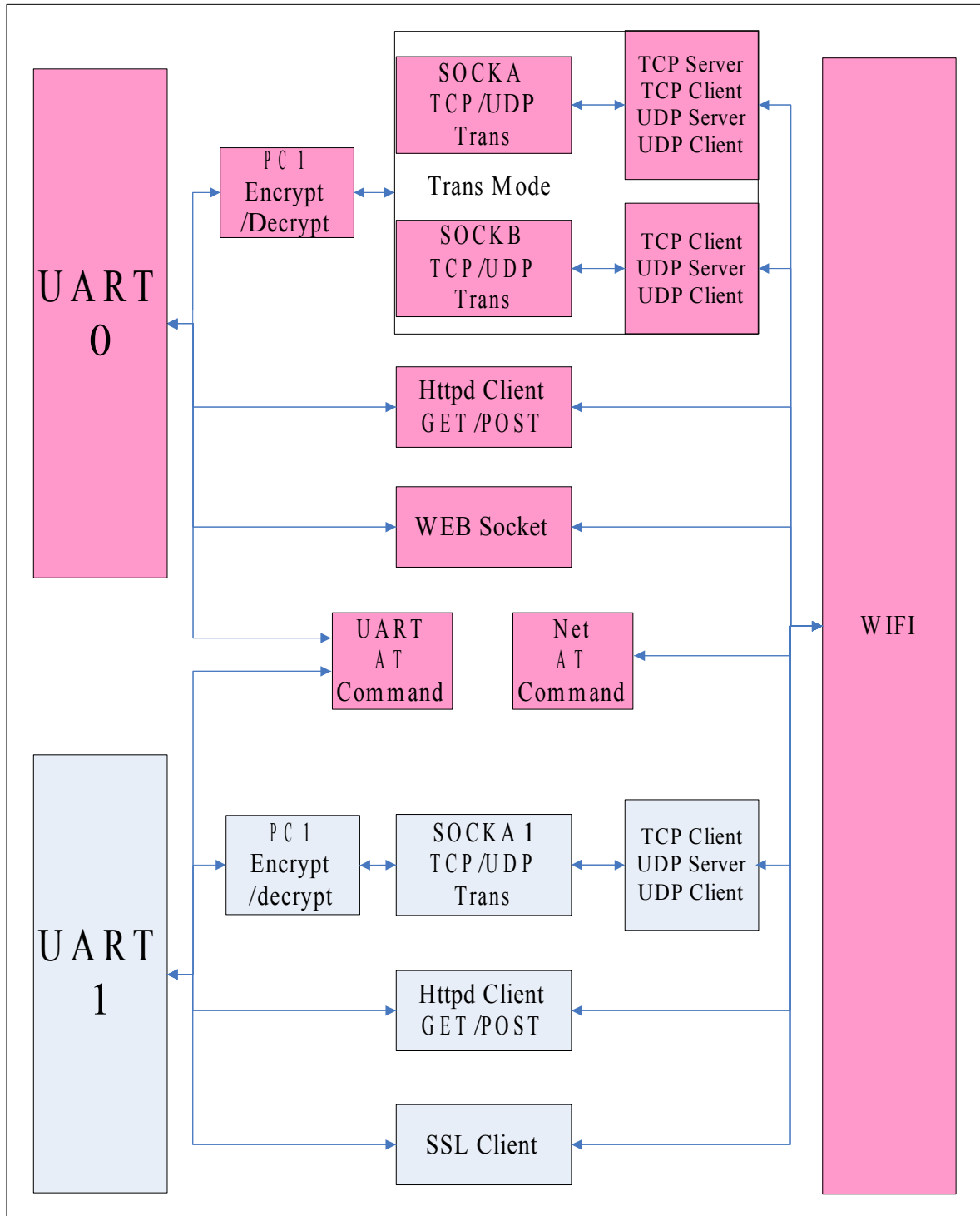
### 3.2.2 Command Mode

In command mode, the module will no longer work to translate, UART port AT this time for receiving the AT command, the user can through UART port to send AT commands to module, UART for querying and setting module, network and other related parameters. As long as there is a UART port into the AT command mode, the other UART port also is in the AT command mode.

### 3.3 Socket Communication

#### 3.3.1 UART0 Socket

UART0 has the follow mode:TCP/UDP Trans,Httpd Client, Websocket communication.



#### 1)TCP/UDP Trans Mode

In TCP/UDP Trans Mode UART0 has two socket(socka,sockb) connection, the data

writing to UART0 will be automatically sent to the two sockets. The data received from the two sockets will be sent out the UART interface.

Socket support:

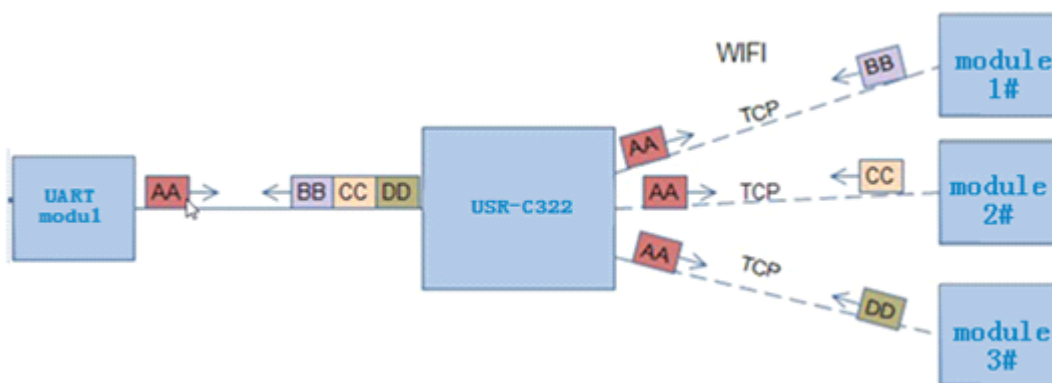
- ◆ TCP Server
- ◆ TCP Client
- ◆ UDP Server
- ◆ UDP Client

Socket support:

- ◆ TCP Client
- ◆ UDP Server
- ◆ UDP Client

You can set the mode through AT command(AT+SOCKA,AT+SOCKB) or through a web set.

When set TCP Server Socket,it can support up to three TCP Client connection.When the fourth client connected,the the earliest connection will be disconnected.In a multiple TCP link connection mode, from the TCP transport data will be forwarded to them one by one on the UART interface. Come from the UART interface data will be copied into a more, in every TCP forwarding a link. Specific data flow diagram shown below:



When the Socket set to UDP Server, if a serial port receives data first, module sends the data to the already set IP, port (AT + SOCKA set), if the UDP Server receives data, data source address, the module will remember after a serial port, after receipt of the data module will be transmitted to the address data.

When the module is set to the UDP Client,the module only send data to the IP and port, and only receive data from the IP and port address (AT + SOCKA Settings), the data from other address or port is not forwarded to the UART.

When the module is set to tcp or udp client mode. Regist packet can be add.The regist can be MAC, ID, customer packet(32 bytes).When in TCP Client mode bags can

be set to connect for the first time send or add before each packet. In UDP Client mode registpacket will be add in each packet data.

PC1 encryption can be enable in trans mode. The data recived from uart0 will be encrypted by PC1 then uploaded to the Socket. The data recived from socket will be decricted then send the data through serial port. When enable PC1 encryption, the time will increases from uart to socket or from socket to uart. In order to reduce lose data ,you should increase the time interval between sending packets. PC1 encryption algorithm, please refer to the "USR - C322 PC1 encryption in trans mode instructions".

**Download Address:** <http://www.usriot.com/Download/236.html>

## 2) Httpd Client mode

HttpdClient pattern is packaged serial data packets into the HTTP protocol packets, support POST, GET mode, UART0, UART1 support this pattern, specific package is as follows:

POST:

```
POST "customer URL" HTTP/1.1<CR><LF>
Connection:close<CR><LF>
User_Agent: Mozilla/4.0<CR><LF>
Content-Length: "length of uart data"<CR><LF>
"customer head (htp_head) "
Host: "server address":"server port"<CR><LF><CR><LF>
"data from uart"
```

GET:

```
GET "data from uart" HTTP/1.1<CR><LF>
Connection:close<CR><LF>
User_Agent: Mozilla/4.0<CR><LF>
"customer head (htp_head) "
Host: "server address":"server port"<CR><LF><CR><LF>
```

Related to the AT command set:

- GET/POST Mode: AT+HTPTP
- customer URL: AT+HTPURL
- customer head (htp\_head) : AT+HTPHEAD
- server address:server port: AT+HTPSV

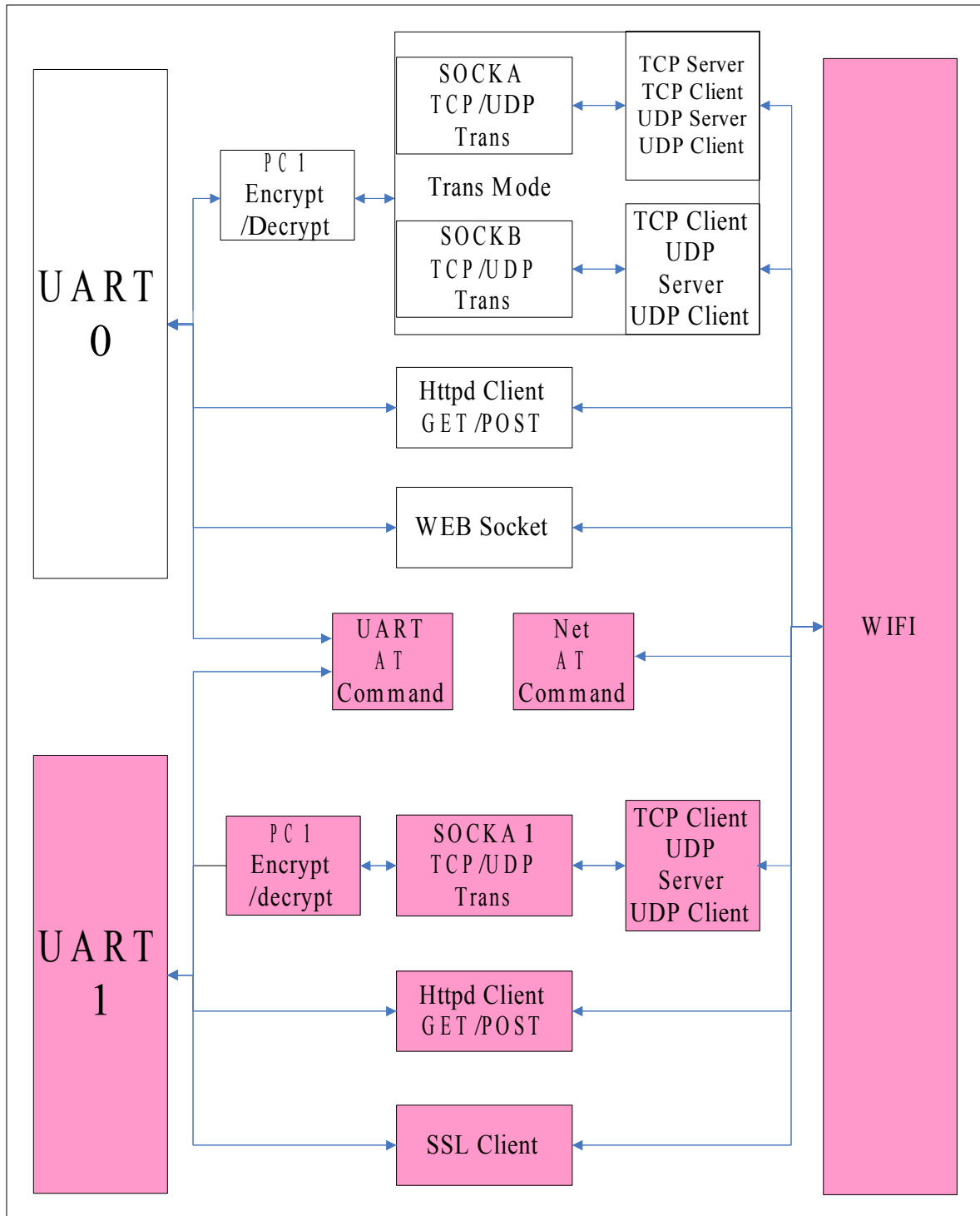
## 3) WEBSocket Function

USR-C322 supports websocket trans from webpage to uart. The module is as a webserver, port 8000. The module only support Websocket ASCII passthrough. The websocket server can support only four client to be connected. When a fifth client

connect to the server , the first client will be shut down from the server. Web site source code is open, the user can modify web page realize their special needs, upgrade the custom web page please refer to the custom function description. Only UART0 support this pattern.

### 3.3.2 UART1 Socket

UART1 has the follow mode:TCP/UDP Trans,Httpd Client, SSL Client communication.



### 1) TCP/UDP Trans

In TCP/UDP trans mode, UART1 has one socket that can be TCP Client、UDP Server、UDP Client.

### 2) HttpClient mode

The usage is same to UART0.

### 3) SSL Client mode

SSL Client mode is an expansion of TCP/UDP trans.

SSL Client has a level of security protection that provides a higher security, including authentication, data encryption and integrity verification.

The authentication is used for the issuance and application of a digital certificate.

Data encryption can prevent the loss caused by listening to others, even if the third party listens to the news of the passing, but without the right key, it still can't get the right message.

Integrity verification can prevent the message being modified in the delivery process.

Encryption types supported:

- ◆ SSLV3
- ◆ TLSV1
- ◆ TLSV1\_1
- ◆ TLSV1\_2
- ◆ SSLv3\_TLSV1\_2
- ◆ DLSV1

The encryption algorithm support:

- ◆ SSL\_RSA\_WITH\_RC4\_128\_SHA
- ◆ SSL\_RSA\_WITH\_RC4\_128\_MD5
- ◆ TLS\_RSA\_WITH\_AES\_256\_CBC\_SHA
- ◆ TLS\_DHE\_RSA\_WITH\_AES\_256\_CBC\_SHA
- ◆ TLS\_ECDHE\_RSA\_WITH\_AES\_256\_CBC\_SHA
- ◆ TLS\_ECDHE\_RSA\_WITH\_RC4\_128\_SHA
- ◆ SECURE\_DEFAULT

SSL Client support encryption certificate setting (reference :USR-C322 wireless upgrade software). Only UART1 support this mode.

**Download Address:** <http://www.usriot.com/Download/236.html>

### 3.4 Custom web function

USR-C322 support Custom web function. User can modify the web page content or add your own web page. Please refer to the specific implementation method " reference :USR-C322 customized web function " .

**Download Address:** <http://www.usriot.com/Download/235.html>

### 3.5 Search in local area network

Module support searching module within the local area network (LAN), that is, when the module is connected to a wireless router, the user can through to a fixed port sends UDP broadcast way, to get the IP address of the module of the current, in order to realize the search and communications equipment. SEARCH the port and keyword can be set by the AT + SEARCH commands, default: 48899, www.usr.cn.

Search tool operation process:

1. Through the UDP broadcast (broadcast address: xx. Xx. Xx. 255, port: 48899) to send a password, the default password is: "www.usr.cn", the longest can be set up 20 bytes.

2. Module after receiving the password, if the password is correct, the module to enter configuration mode, to the address (unicast, source port) send the local IP address, MAC address, the module name, version number. (IP, MAC, MID, ver 10.10.100.254, D8B04CFC0000, USR - C322, 01.01.10). Module to enter configuration mode set if not received within 30 seconds after the command, the module will exit the configuration mode, the user needs to send search command word, enter configuration mode.

3. Users can through the network to the port to send AT commands to set up and read the module working state, the AT command format with a serial port the AT command.

Note: search tools and modules must be within the same LAN, if multiple STA even on a router, run the search tools of the computer and even on the router. This search tool to search all of the STA.

### 3.5 TCP/UDP Client Registration Packet Mechanism

When the module working in TCP or UDP Client Client mode, the user can open registration packet mechanism, in order to realize the server to the distinction between the data source, data of different equipment monitoring.The module support MAC 、ID 、USR registration packet. MAC is 6 bytes. ID is 0-65535, ID value can be set. USR registration is a string that is set by customer,the length is up to 32 bytes Registration packet ID is mainly used for the D2D software of the company..

Registered packet opened and closed by AT + REGENA.

Registered packet implementation mechanism is as follows:

- TCP Client: There are two kinds of TCP Client: registration mechanism:



- ① Just send a registration packet, when the module is connected to the TCP Server module will send TCP Server MAC (6 bytes) or ID (4 bytes), Server by MAC or ID to distinguish between different devices.
  - ② Every packet of data has registration information, TCP Client after the link to the server, a serial port receives each packet of data to increase MAC or ID, to distinguish between equipment. ID or MAC choice, can be set by the AT + REGENA.
- UDP Client: each module on the sending UDP packets, MAC or ID will increase in each packet header information, and then send.

### 3.7 Fast Access Wi-Fi(usrlink)

When one module works in AP mode, it opens a UDP port used to receive fast access Wi-Fi commands, the port number is 48899(if the version is under 2.1.10 ,the port is 49000). The phone PDA can directly connect to Wi-Fi network of the module, send commands to search router list and set SSID and password. After the completion of set up, module will automatically restart, connected to the router, work in the STA mode at this time.

Protocol format:

Searching command

No	Name	Num of Bytes	Description
1	head	1	fixed value:0xFF
2	length	2	Sum of data bytes from length bytes to check byte(not contain length bytes and check byte).
3	cmd	1	Command type, 0x01
4	check	1	Sum of bytes from head (not contained) byte to check byte (not contained).

Response for searching

No	Name	Num of Bytes	Description
1	head	1	fixed value:0xFF
2	length	2	Sum of data bytes from length bytes to check byte(not contain length bytes and check byte).
3	cmd	1	Command type, 0x81
4	AP num	1	The number of AP what module scans
5	SSID1	Unsize	The SSID of router 1

6	separator	1	Separator of SSID1, fixed value:0x00
7	Signal strength1	1	Signal strength of router 1,0~100:0%~100%
8	separator	2	Separator of signal strength1, fixed value:0x0D,0x0A
...	...	...	.....
M	SSID n	Unsize	The SSID of router n
M+1	separator	1	Separator of SSID n, fixed value:0x00
M+2	Signal strength	1	Signal strength of router n,0~100:0%~100%
M+3	separator	2	fixed value:0x0D,0x0A
M+4	check	1	Sum of bytes from head (not contained) byte to check byte (not contained).

Example:

Data from phone PDA to module (HEX): FF 00 01 01 02

Data from module to phone PDA (HEX): FF 00 14 81 02 54 45 53 54 31 00 40 0D 0A 54 45  
53 54 32 00 37 0D 0A 1F

Explanation:

The phone PDA send searching command to module, the response from module is: SSID of router1 is "TEST1", signal strength of router1 is 64%; SSID of router2 is "TEST2", signal strength of router2 is 55%.

Note: The information of routers is ordered by signal strength.

#### a) Setting Command

No	Name	Num of Bytes	Description
1	head	1	fixed value:0xFF
2	length	2	Sum of data bytes from length bytes to check byte (not contain length bytes and check byte).
3	cmd	1	Command type, 0x02

4	reserve	1	fixed value:0x00
5	SSID	Unsize	SSID of router
6	separator	2	fixed value:0x0D,0x0A
7	password	Unsize	Password of router
8	check	1	Sum of bytes from head (not contained) byte to check byte (not contained).

### Response for Setting

No	Name	Num of Bytes	Description
1	head	1	fixed value:0xFF
2	length	2	Sum of data bytes from length bytes to check byte(not contain length bytes and check byte).
3	cmd	1	Command type, 0x82
4	Check for SSID	1	If the SSID set by PDA exist, check value is 0x01, otherwise is 0x00.
5	Check for password	1	If the form of password set by PDA is correct, check value is 0x01, otherwise is 0x00.
6	check	1	Sum of bytes from head (not contained) byte to check byte (not contained).

Example:

Data from phone PDA to module (HEX): FF 00 0F 02 00 54 45 53 54 31 0D 0A 31 32 33 34  
35 36 CE

Data from module to phone PDA (HEX): FF 00 03 82 01 01 87

Explanation:

The phone PDA send setting command to module, SSID is set to "TEST1", password is set to "123456". The response from module is that the "TEST1" Wi-Fi network exist, the form of password is correct.

### 3.8 Simplelink Configuration

Simplelink function main realization module of intelligent network, namely the quick connect to the AP. Modules work in STA and AP mode, lower Reload pin 0 to 3 seconds, the module get into the Smartconfig configuration, at this time Ready pin output high and low level of 0.5 Hz. The handheld device connected to the module to connect to the AP, open the APP, enter the password, click on "start". Module will automatically restart after successfully connect to the AP.

**Note:** when using the AT + WSTA AP information query module is connected, password show SAFE, password is not visible.

### 3.9 RFC2217 Automatic Baud Rate Function

#### 3.9.1 RFC2217 Functional Description

1. RFC2217 is an instant change via Ethernet equipment serial port parameters of a standard protocol, this device supports a similar RFC2217 agreement, not a standard RFC2217, realize the same function, but the deal easier.
2. Sends a command to the device after this agreement, if do set serial port parameters meet the requirements, not return anything, if the calibration error or agreement is wrong, will be as a common packet via a serial port forwarding.
3. TCP Client, TCP Server, UDP Client, and UDP Server, and broadcast the several patterns are support this function.
4. This command changes take effect immediately, do not need to restart, when effective, not save, power is lost.

#### 3.9.2 RFC2217 Protocol Specification

Protocol length is 8 bytes, specific agreement content as follows, for example the value for the HEX format:

designation	Header	Bps	Data bit	Check
length(bytes)	3	3	1	1
explain	reduce misjudgment	baud rate value, high in the former	Different bits to represent different meanings, see table	Sum of the front four
Example (115200,N,8,1)	55 AA 55	01 C2 00	83	46
Example (9600,N,8,1)	55 AA55	00 25 80	83	28

Attachment: a serial port parameters meaning a bit

Bit num	Explain	Data	describe
1:0	Data bits	00	5 bits
		01	6 bits
		10	7 bits
		11	8 bits
2	Stop bit	0	1 bit
		1	2 bits
3	Enabled check	0	Disable check
		1	Enable check
5:4	Check type	00	ODD
		01	EVEN
		10	Mark
		11	Clear
7:6	NC	00	Write 0

### 3.10 Sleep Mode Introduction

Modules can open low power mode. In module under normal condition, if the network and uart port for certain time 10-240 seconds (AT + SLPTYPE Settings) does not data communication module into low power mode. The user can choose different sleep mode (0 to 4).

Ways there are to awaken the network side and serial port: network side refers to establish the wifi connection, to establish a socket connection with module and send data to the socket, a serial port end points to a serial port to send data.

For example: set up AT + SLPTYPE = 2,200

When the module network end (refer to the socket end) and a serial port for 200 seconds didn't receive the data, the module into Deepsleep mode (mode 2).

#### 3.10.1 Mode Introduction

##### Mode 0: Active Mode

The Active mode, the system clock is 80 MHZ. Module running various peripherals. Corresponding mode 0, that is, normal work mode, the module optimal performance.

##### Mode 1: Sleep Mode

Sleep mode, the system clock to 80 MHZ. Through a serial port or network packets, gpio port output, module after awakening from entering hibernation continues to run, wake up the response time shorter than deepsleep mode. Corresponding mode 1.

##### Mode 2: Deepsleep Mode

Module into deepsleep dormancy, reduced to 40 MHZ system clock. Might wake up via a serial port or network packets, gpio port output, module after awakening from entering hibernation continues to run, wake up the response time a bit longer than the sleep mode. Than the normal operation of the lower power consumption about 5 ma. The corresponding mode 2.

### Mode 3: LPDS Mode

Module into LPDS mode, network part keep running, module gpio port output is high impedance state. Via a serial port or network packets wake up, wake up after the restart operation module. Corresponding mode 3.

### Mode 4: Hibernate Mode

Module into the hibernate mode, network and MCU are entering sleep mode, gpio port output high impedance state, only through a serial port data. Module after the restart. Power consumption can be achieved the uA level. Corresponding mode 4.

## 3.10.2 Power Reference Table

No data transmission module, the power consumption mode reference is as follows:

Power mode	UART、GPIO、network	Wake up mode	STA	AP
0	UART、GPIO、network working	none	18 mA	74 mA
1	UART、GPIO、network working	Uart,network	13 mA	71 mA
2	UART、network working	Uart,network	9 mA	70 mA
3	UART、network working	Uart,network	3.5 mA	70 mA
4	GPIO (RXD) working	Uart(RXD)	24 uA	24 uA

The mode to distinguish the table:

Power mode	Still working						Wakeup source		
	Run frequency	MCU	WIFI	UART	GPIO	network	UART	GPIO	network
0	80M	✓	✓	✓	✓	✓	/	/	/
1	80M	✓	✓	✓	✓	✓	✓	RXD	✓
2	40M	✓	✓	✓	✓	✓	✓	RXD	✓
3	32.768Khz	✓	✓	✓	✓	✓	✓	RXD	✓
4	32.768Khz	✓	/	RXD	/	/	RXD	RXD	/

The difference between all modules, low power consumption mode is as follows:

- ◆ Wake up the response time: from mode 0 to 4, wake up the response time increases gradually.
- ◆ Power consumption: from mode 0 to 4, gradually reduce the power consumption.

Example: low power consumption

- 1、Wifi module online, various peripherals work is normal, the data transmission between the interval of a few seconds, use "pattern 1".
- 2、Wifi module online, various peripherals working frequency decline or does not work, you can use "mode 2" Deepsleep model.
- 3、Module to keep online, can through the remote wireless equipment, occasionally translate data, suit to use "mode 3" Lpds mode, remote equipment after wake up the module, the module to establish the connection with the remote device, sending and receiving data.

4、When the user equipment does not need to be online for a long time, only occasionally arouse initiative to send data to the server, you can use "mode 4" Hibernate mode. A frame to a serial port to send data, wake up module, the module will be according to set the wifi, TCP socket parameters, the active link to the server, translate data, translate is completed according to set the time to sleep.

**< note >** : serial awakens the module, in Lpds mode, Hibernate mode, practical for the RXD pin. So must contain 0 8 bits of data, namely the need to guarantee the RXD pin has a low level, this packetjust wake up module, data packet loss, not translate.

## 4、Parameter Setting

The parameters of the module configuration page configuration, AT + command configuration in two ways, behind will detail the use of two ways.

### 4.1 Web Page Configuration

#### 4.1.1 The Web Management Page

When using the module for the first time, need some configuration on the module. By PC connection module AP interface, the user can use the web management page configuration.

By default, the module of AP interface SSID, IP address, user name and password are as follows:

parameter	default setting
SSID	USR-C322
IP address	192.168.1.1
mask	255.255.255.0
user name	admin
key	admin

#### 4.1.2 Open Management Web Page

Link with PC wireless card first, after waiting for connection is good, open the IE browser, in the address bar enter 192.168.1.1, carriage return, the login page, the default login as admin, the password for the admin. Web support switch in both Chinese and English, can through the web page top right corner "Chinese | English" switch, also can through the at command set.

Then the web management page will appear. Management page including "system status" "WiFi Set" "UART0 Set" " UART1 Set " "Extra Function" "Account Set" "Reload Restar" "About USR".

##### 1) The System Status Page

Mainly for the module operation parameters, including: MAC address, MID number, version and WiFi link state.


**Sys status**

WiFi Set

UART0 Set

UART1 Set

Extra function

Account Set

Reload Restar

About USR

**Sys Statue**

sys run time 0 days 00:00:10

module MAC 54:4A:16:2E:3D:90

module MID USR-C322

module ver 2.6.10

**wifi Statue**

wifi mode Station

STA ssid TOTOLINK\_B71300

STA ip 192.168.5.5

STA gateway 192.168.5.1

STA dns 0.0.0.0

## 2) WiFi Parameter Setting:

## ① Wifi Mode Select:

Wifi model can choose the model of the STA and AP, click save Settings, restart to take effect.

## ② AP Parameter Setting:

Setting module in AP mode SSID and password (AP mode password for 8-63), encryption mode is WPA2PSK by default mode, click save Settings, restart to take effect.

## ③ STA Parameter Setting:

Setting module in the STA mode needs to connect AP SSID and password (adaptive encryption module), DHCP is enabled. When the connection of the AP is no encryption, set the password to none. DHCP automatically obtain IP enabled, the module will automatically get the IP, DHCP can ban, through input the IP, subnet mask, gateway, and obtain a static IP, restart to take effect.



**Note:** when the network name and password does not support the double quotes, comma, and, or, greater than, less than and other special characters.

[中文](#) | [English](#)



Sys status

**WiFi Set**

UART0 Set

UART1 Set

Extra function

Account Set

Reload Restar

About USR

**WiFi Set**


Wifi Mode	STA <input type="text"/>
<hr/>	
<b>AP Set</b>	
AP SSID ( SSID ) ( 1-32位 )	USR-C322 <input type="text"/>
AP Password (8-63位) , "NONE" is open	NONE <input type="text"/>
AP IP	192.168.1.1 <input type="text"/>
Mask	255.255.255.0 <input type="text"/>
<hr/>	
<b>STA Set</b>	
STA SSID ( 1-32位 )	TOTOLINK_B71300 <input type="text"/>
STA Password (8-63位) , "NONE" is open	NONE <input type="text"/>
DHCP	Enable <input type="text"/>
<input type="button" value="SAVE"/>	

Jinan USR IOT Technology Limited <http://www.usr.so>  
 Web Ver:1.0.0

### 3) UART0 Setting:

#### ① UART parameters set

Peripherals parameters set mainly set serial port, serial port baud rate can be set to 300-3000000, data bits can set 5-8 bits, parity bit can be set to no check, odd parity, parity, stop bits can be set to 1 to 2, a serial port flow control can be set to enabled. Serial port can open 485 features, pin 25 serial flow control RTS pin is the control pin of 485, up the pin to send data, low the pin to receive data. Effecting after restart.




- Sys status
- WiFi Set
- UART0 Set
- UART1 Set
- Extra function
- Account Set
- Reload Restar
- About USR

>> **UART0 SET**

baud rate (300-3000000 bps)	<input style="width: 80%;" type="text" value="115200"/>
bits of data	<input style="width: 80%;" type="text" value="8"/>
check bit	<input style="width: 80%;" type="text" value="None"/>
stop bit	<input style="width: 80%;" type="text" value="1"/>
CTSRTS / 485	<input style="width: 80%;" type="text" value="NFC"/>

>> **All Socket Set**

- ② Socket set with uart0  
 The socket set about uart0 includes :Socket Mode (Trans,Httpdclient,WEBSocket).In the different mode , there will be different set.



- Sys status
- WiFi Set
- UART0 Set
- UART1 Set
- Extra function
- Account Set
- Reload Restar
- About USR

>> **UART0 SET**

>> **All Socket Set**

**Socket SET**

<b>Socket Mode</b>	<input style="width: 80%;" type="text" value="Trans"/>
--------------------	--

**Trans Function**

Socka Protocol	<input style="width: 80%;" type="text" value="TCP-Server"/>
Socka Port	<input style="width: 80%;" type="text" value="8899"/>
Socka Server Address	<input style="width: 80%;" type="text" value="192.168.1.1"/>

**Sockb Protocol**

Sockb Protocol	<input style="width: 80%;" type="text" value="OFF"/>
Sockb Port	<input style="width: 80%;" type="text" value="8899"/>
Sockb Server Address	<input style="width: 80%;" type="text" value="192.168.1.1"/>

**Additional Function**


RFC2117	<input style="width: 80%;" type="text" value="Disable"/>
Register content	<input style="width: 80%;" type="text" value="OFF"/>
Register frequence(Just for TCPC)	<input style="width: 80%;" type="text" value="FIRST"/>
Register ID (0-65535)	<input style="width: 80%;" type="text" value="0"/>
Usr Define Packet (32 bytes)	<input style="width: 80%;" type="text" value="usr"/>
Trans Encrypt	<input style="width: 80%;" type="text" value="Disable"/>
Trans Num	<input style="width: 80%;" type="text" value="00000000000000000000000000000000"/>

#### 4) UART1 Setting:

##### ① UART1 parameters set

Peripherals parameters set mainly set serial port, serial port baud rate can be set to 300-3000000, data bits can set 5-8 bits, parity bit can be set to no check, odd parity, parity, stop bits can be set to 1 to 2. There is not flow control and 485 function. Effecting after restart.

中文 | English



- Sys status
- WiFi Set
- UART0 Set
- UART1 Set
- Extra function
- Account Set
- Reload Restar
- About USR

**>> UART1 SET**

baud rate (300-3000000 bps)	<input style="width: 100%;" type="text" value="115200"/>
bits of data	<input style="width: 100%;" type="text" value="8"/>
check bit	<input style="width: 100%;" type="text" value="None"/>
stop bit	<input style="width: 100%;" type="text" value="1"/>

**>> All Socket Set**

##### ② Socket set with uart1

The socket set about uart1 includes :Socket Mode (Trans,Httpdclient,SSL Socket,OFF). In the different mode , there will be different set. Selecting OFF is close the socket function with uart1.

- 
- Sys status
- WiFi Set
- UART0 Set
- UART1 Set
- Extra Function
- Account Set
- Reload Restar
- About USR

>> **UART1 SET**  
>> **All Socket Set**

**Socket SET**

Socket Mode Trans

**Trans Function**

Socka Protocol TCP-Client

Socka Port 10002

Socka Server Address 192.168.5.4

**Additional Function**

RFC2117 Disable

Register content OFF

Register frequence(Just for TCPC) FIRST

Register ID (0-65535) 0

Usr Define Packet (32 bytes) usr

Trans Encrypt Disable

Trans Num(Mode is Hex) 000000000000000000000000

5) Extra Function

In extra function page,you can set search parameters in lann and module mid.



- Sys status
- WiFi Set
- UART0 Set
- UART1 Set
- Extra function**
- Account Set
- Reload Restar
- About USR

### Search

Search Port

Search Data

### Module'MID

MID

6) Account Set:

Account management can set the user name and password login page, the length must be 5 bytes, click save Settings, restart to take effect.

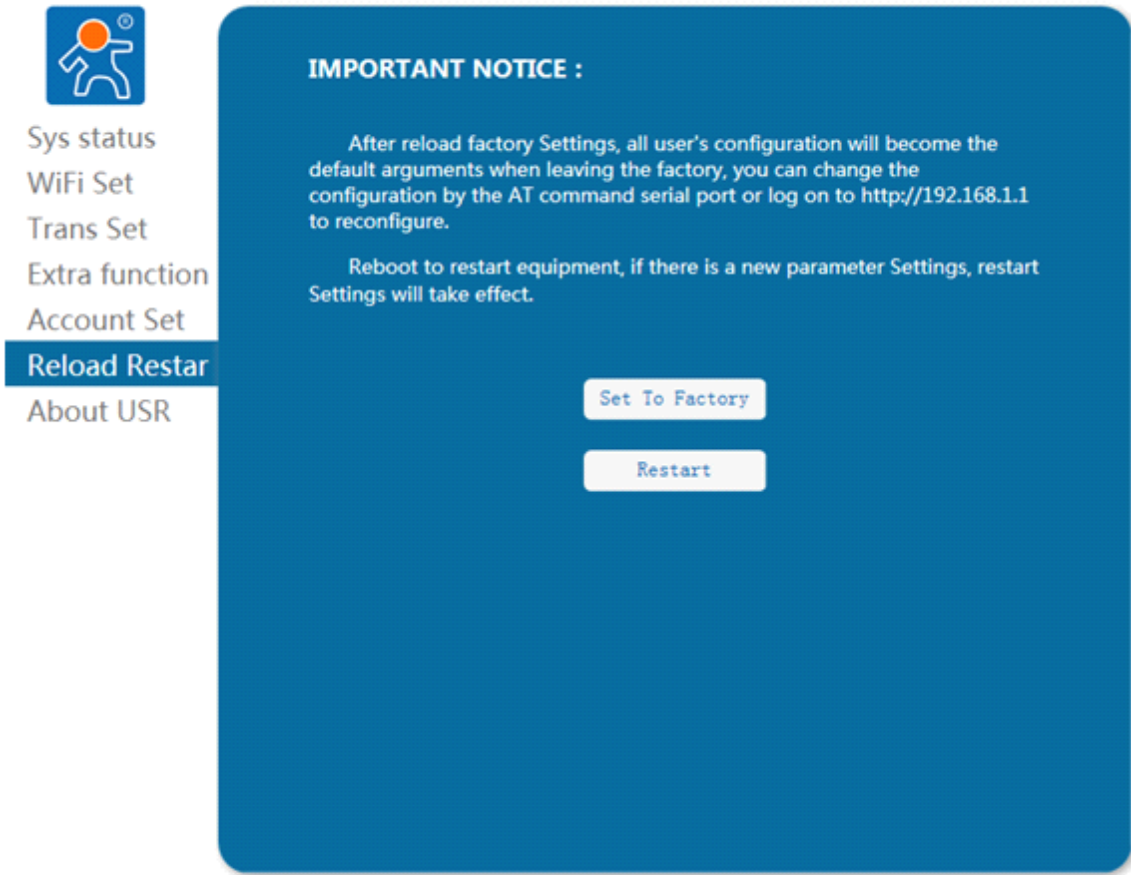


- Sys status
- WiFi Set
- Trans Set
- Extra function
- Account Set**
- Reload Restar
- About USR

### Set a New Account and Password

Current User Name	admin
Current Password	admin
New User Name ( 5 bytes )	<input type="text" value="admin"/>
New Password ( 5 bytes )	<input type="text" value="admin"/>

- 7) Reload Restar:  
This page includes the module to the factory state and restart the module function.



**IMPORTANT NOTICE :**

After reload factory Settings, all user's configuration will become the default arguments when leaving the factory, you can change the configuration by the AT command serial port or log on to <http://192.168.1.1> to reconfigure.

Reboot to restart equipment, if there is a new parameter Settings, restart Settings will take effect.

Set To Factory

Restart

8) About USR:

This page is a simple introduction of Jinan USR IOT Technology Limited.



Sys status

WiFi Set

Trans Set

Extra function

Account Set

Reload Restar

About USR

**About USR :**

Jinan USR IOT Technology Limited has been focusing on IOT and M2M field for more than 6 years. We offer networking products such as serial device server, Ethernet to serial, GPRS DTU and embedded WIFI module. We have professional R&D teams for hardware and software, phone APP and server. And we can provide OEM & ODM service for clients.

Email: [sales@usr.cn](mailto:sales@usr.cn) [tec@usr.cn](mailto:tec@usr.cn)Address: 1-728, Huizhan Guoji Cheng, Gaoxin Qu, Jinan, Shandong,  
250101, ChinaJinan USR IOT Technology Limited <http://www.usr.so>  
Web Ver:1.0.0

## 4.2 AT+ Commands Configuration

AT+ Instruction refers to, in command mode user by module with UART and SPI command set of instructions, behind will detail the use of AT + instruction format.

After the success of the electric start, can through the UART for setting module.

Module of the default UART port parameters for: 115200 baud rate, no check, 8 data bits, one stop bit.

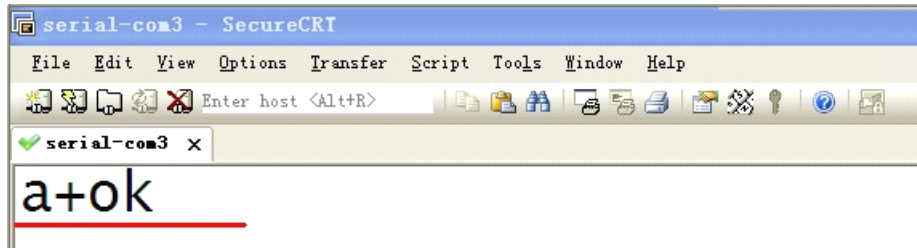
### < explain >

The AT command debugging tools, UART interface is recommended to use SecureCRT software tools or some professional applications. The following is introduced using UART communication and SecureCRT tool demo.

From translate mode switch to the command mode to the following two steps:

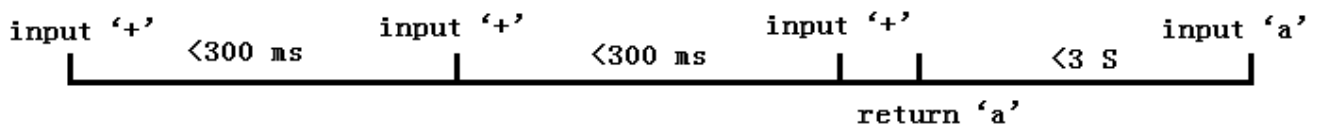
- On the UART input "+ + +", module after receiving "+ + +" will return a verification code "a";
- Input validation code "a" on the UART, module after receiving the confirmation, return to the "+" OK "to confirm, enter the command mode;





< **explain** >In the input "+ + +" and "the code" "a", no echo, as shown in the above.

Input "+ + +" and "a" needs to be done in a certain period of time, in order to reduce the probability of normal work, wrongly into command mode. Specific requirements are as follows:



From the command mode to switch to translate mode need to adopt the AT + ENTM command, the command AT + ENTM mode input, end with a carriage return, you can switch to translate mode.

#### 4.2.1 AT+ Summary of Instruction Set

AT+ Instructions can be directly through the super terminal serial debugger such as input, can also be programmed to input.

AT+ Instructions the command line, based on ASCII format is as follows:

➤ Format Specification

<>: A part of must contain

[ ]: the optional parts

➤ Command

**AT+<CMD>[op][para-1,para-2,para-3,para-4...]<CR>**

AT+:Command messages prefix;

CMD:Command string;

[op] :Instruction operator, is specified parameters to set or query;

◆ “=” :parameter Settings

◆ “NULL” :query

[para-n] :Input parameter Settings, such as query is not required;

<CR>:end mark, ENTER, ASCII: 0x0a or 0x0d;

➤ Response Message

**<CR><LF>+<RSP>[op] [para-1,para-2,para-3,para-4...]<CR><LF>**

+:The response message prefix;

RSP:Response to a string, including:

◆ “OK” :success

◆ “ERR” :fail

[para-n] :The query return parameter error code or error

<CR>:ASCII 0x0d;

<LF>:ASCII 0x0a;

## ➤ Error Code

error code table

Error Code	Description
-1	Invalid Command Format
-2	Invalid Command
-3	Invalid Operation Symbol
-4	Invalid Parameter
-5	Operation Not Permitted

## 4.2.2 AT Command Introduction

AT+ command

NO	Command	Description
Basic Command		
1	ENTM	Set module into transparent transition mode
2	E	Open/Close show back function
3	Z	Re-start module
4	CFGTF	Copy User Parameters to Factory Default Parameters
5	RELD	Restore to factory default setting
6	MAC	Read the MAC of module
7	SEARCH	Set/query LAN port and keyword search
8	MID	Query module ID information
9	PLANG	Web log in languages
10	WEBU	Set/query website login user name and password
11	VER	Query The module firmware version
12	PING	Network "Ping" command
13	WSCAN	Scan AP
14	SLPTYPE	Set the sleep mode
Wifi Set		
15	WMODE	Set/Query Wi-Fi work mode (AP/STA)
16	WSTA	Set/query associated AP SSID and password;
17	WANN	Set/query STA network parameters;
18	WSLK	Query STA Wi-Fi link status
19	WAP	Set/query AP wi-fi configuration parameters;
20	CHANNEL	Channel module AP mode
21	LANN	Set the IP/query module AP mode
Uart0 set		
22	UART	Set/query UART interface parameters
23	UARTTE	Set/query a serial port free framing intervals
24	WKMOD	UART0 Socket work mode
25	SOCKA	Set/query network protocol parameters
26	SOCKLKA	Query whether the TCP link chain has been built
27	SOCKDISA	Set the tcp client reconnect mode
28	SOCKB	Set/query network protocol parameters

29	SOCKLKB	Query whether the TCP link chain has been built
30	SOCKDISB	Set the tcp client reconnect mode
31	RFCENA	Can make/ban RFC2117 function
32	REGENA	Can make/registration packet mechanism is prohibited
33	REGID	Registration packet ID set
34	REGUSR	Customer define registration packet
35	TRENC	Encrypt enable/disable in trans mode
36	HTPTP	Httpd Client GET/POST set
37	HTPSV	Httpd Client server address
38	HTPHEAD	Httpd Client customer defined head
39	HTPURL	Httpd Client POST URLaddress
40	HTPCHD	Httpd Client return data cut head enable/disable
Uart1 set		
41	UART1	Set/query UART interface parameters
42	UARTTE1	Set/query a serial port free framing intervals
43	WKMOD1	UART1 Socket work mode
44	SOCKA1	Set/query network protocol parameters
45	SOCKLKA1	Query whether the TCP link chain has been built
46	SOCKDISA1	Set the tcp client reconnect mode
47	RFCENA1	Can make/ban RFC2117 function
48	REGENA1	Can make/registration packet mechanism is prohibited
49	REGID1	Registration packet ID set
50	REGUSR1	Customer define registration packet
51	TRENC1	Encrypt enable/disable in trans mode
52	HTPTP1	Httpd Client GET/POST set
53	HTPSV1	Httpd Client server address
54	HTPHEAD1	Httpd Client customer defined head
55	HTPURL1	Httpd Client POST URLaddress
56	HTPCHD1	Httpd Client return data cut head enable/disable
57	SSLSECM	SSL encrypt type
58	SSLMASK	SSL encrypt method
59	SSLCA	SSL Certificate Title
60	SSLIPP	SSL server address and port

### 1) AT+ENTM

- Function:Exit the command mode, enter the translate mode;
- Format:
  - ◆ Set

**AT+ENTM<CR>**  
**<CR><LF>+OK<CR><LF>**

- Parameters:none

After the command is executed correctly, module from the command mode switch

to translate mode.

## 2) AT+E

➤ Function: Set/query module echo the at command set

➤ Format:

◆ Query

**AT+E <CR>**

**<CR><LF>+OK=<on/off><CR><LF>**

◆ Set

**AT+E=<on/off><CR>**

**<CR><LF>+OK<CR><LF>**

➤ Parameters:

◆ on:Open the echo, echo the AT command input command, off: the AT command mode, type the command does not echo.

## 3) AT+Z

➤ Function:Restart the module Format:

◆ Set

**AT+Z<CR>**

**<CR><LF>+OK<CR><LF>**

➤ Parameters:none

After the command is executed correctly, restart the module.

## 4) AT+CFGTF

➤ Function:After the command is executed correctly, restart the module.

➤ Format:

◆ Set

**AT+CFGTF<CR>**

**<CR><LF>+OK=<status><CR><LF>**

➤ Parameters:

◆ status>Returns the operating status;

● SAVED:Set up the success

● NON-SAVED:Setup failed

## 5) AT+RELD

➤ Function:Recovery module configuration parameters for the user the factory configuration parameters

➤ Format:

◆ Set

**AT+ RELD<CR>**

**<CR><LF>+OK=REBOOTING...<CR><LF>**

➤ Parameters:none

The command module configuration parameters restore to the user factory Settings, and then restart automatically.

## 6) AT+MAC

➤ Function:Query MAC

➤ Format:

◆ Query

**AT+MAC<CR>**

**<CR><LF>+OK=<mac><CR><LF>**

➤ Parameters:

- ◆ mac:MAC of the modul ( example 01020304050A ) ;

7) AT+SEARCH

➤ Function:Set/query in LAN port and search module search keywords

➤ Format:

- ◆ Query

**AT+SEARCH<CR>**

**<CR><LF>+OK=<port,keywords><CR><LF>**

- ◆ Set

**AT+ SEARCH <CR>**

**<CR><LF>+OK =<port,keywords><CR><LF>**

➤ Parameters:

- ◆ port:Search module port;default:48899
- ◆ keywords:Module search keywords.default:www.usr.cn ( Up to 20 bytes ) .

8) AT+MID

➤ Function:Set the MID/query module

➤ Format:

- ◆ Query

**AT+MID<CR>**

**<CR><LF>+OK=<mid><CR><LF>**

- ◆ Set

**AT+MID=<mid><CR>**

**<CR><LF>+OK<CR><LF>**

➤ Parameters:

- ◆ mid: Set/query module mids (20 characters), MID the main models of module;  
Note: this setting, mid cannot contain a comma ", ".

9) AT+PLANG

➤ Function: Set/query module landing page language version

➤ Format:

- ◆ Query

**AT+ PLANG <CR>**

**<CR><LF>+OK=<language><CR><LF>**

- ◆ Set

**AT+ PLANG =< language ><CR>**

**<CR><LF>+OK<CR><LF>**

➤ Parameters:

- ◆ language:CN/EN, CN said landing page default display in Chinese; EN said landing page when the default display in English.

10) AT+WEBU

➤ Function:Set/query website login user name and password;

➤ Format:

- ◆ Query

**AT+WEBU<CR>**

**<CR><LF>+OK=<username,password><CR><LF>**

- ◆ Set  
**AT+WEBU<CR>=<username,password><CR><CR><LF>+OK<CR><LF>**
  - Parameters:
    - ◆ username:The user name, the length must be 5 characters, does not support null;
    - ◆ password:Password, the length must be 5 characters;
- 11) AT+VER
- Function:Set/query module firmware version
  - Format:
    - ◆ Query  
**AT+VER<CR><CR><LF>+OK=<ver><CR><LF>**
    - ◆ Set  
**AT+VER=<ver><CR><CR><LF>+OK<CR><LF>**
  - Parameters:
    - ◆ ver: Set/query module firmware version:
      - AA.BB.CC;AA on behalf of the big version, BB on behalf of the minor version number, Arthur c. CC represents the hardware version
- 12) AT+PING
- Function:Network "Ping" command
  - Format:
    - ◆ Set  
**AT+PING=<IP\_address><CR><CR><LF>+OK=<STA><CR><LF>**
  - Parameters:
    - ◆ IP\_address:For IP address 192.168.1.1 or domain name www.usr.so, domain name up to 64 bytes.
    - ◆ STA:returned value
      - SUCCESS
      - TIMEOUT
- 13) AT+WSCAN
- Function:Search AP :
    - ◆ Query  
**AT+WSCAN<CR><CR><LF>+OK=<LF><CR>SSID,BSSID,Security,Indicator<LF><CR><ap\_site\_1><LF><CR><ap\_site\_2><LF><CR><ap\_site\_3><LF><CR>...<ap\_site\_N><CR><LF>**
  - Parameters:
    - SSID:SSID
    - BSSID: MAC (11:22:33:44:AA:BB)
    - Security
    - Indicator RSSI

Note: in the AP mode WSCAN command, response will be slightly slower, if has established a TCP connection, the connection will be disconnected, need to restart after the connection is established.

#### 14) AT+SLPTYPE

- Function: Set the query sleep mode
- Format:
  - ◆ Query  
**AT+ SLPTYPE<CR>**  
**<CR><LF>+OK=<MODE,TIME><CR><LF>**
  - ◆ Set  
**AT+ SLPTYPE=<MODE,TIME><CR>**  
**<CR><LF>+OK<CR><LF>**
- Parameters:
  - ◆ MODE: 0-4;  
0 no sleep mode for setting module (default); 1 set the module to sleep mode; 2 set the module to deepsleep mode; 3 set the module to LPDS mode; 4 set the module to deep sleep mode;
  - ◆ TIME: 10-240 seconds.  
Set the module without communication last time. When last time no data transmission module, enter the sleep mode, according to the mode patterns into different dormancy.

Note: when set to no sleep, only set **AT + SLPTYPE = 0 < CR >**

#### 15) AT+WMODE

- Function: Set the query wifi working mode
- Format:
  - ◆ Query  
**AT+WMODE<CR>**  
**<CR><LF>+OK=< status ><CR><LF>**
  - ◆ Set  
**AT+WMODE =< status ><CR>**  
**<CR><LF>+OK<CR><LF>**
- Parameters:
  - ◆ status:
    - AP: The module in the AP mode
    - STA: The module in the STA model

#### 16) AT+WSTA

- Function: Set/query associated AP SSID and password;
- Format:
  - ◆ Query  
**AT+WSTA<CR>**  
**<CR><LF>+OK=<AP's ssid><key><CR><LF>**
  - ◆ Set  
**AT+ WSTA =<AP's ssid ><key><CR>**  
**<CR><LF>+OK<CR><LF>**
- Parameters:

- ◆ AP's ssid:AP SSID (up support 32 bytes);
- ◆ key: AP password, the default encryption for wpa2psk, no encryption is set to NONE.

Note: the ssid and key does not support ", "special characters.

#### 17) AT+WANN

- Function:Set/query module access to IP (DHCP/STATIC);
- Format:
  - ◆ Query  
**AT+WANN<CR>**  
**<CR><LF>+OK=<mode,address,mask,gateway,dns ><CR><LF>**
  - ◆ Set  
**AT+WANN=<mode,address,mask,gateway,dns ><CR>**  
**<CR><LF>+OK<CR><LF>**
- Parameters:
  - ◆ mode:Network IP mode
    - static:static IP
    - DHCP:dynamic IP ( address,mask,gateway, DNS are omitted)
  - ◆ address: IP;
  - ◆ mask:mask;
  - ◆ gateway:gateway
  - ◆ dns:DNS

Note: set the module to get the dynamic IP, just set up AT + WANN = DHCP < CR >

#### 18) AT+WSLK

- Function:Query the STA wireless link state;
- Format:
  - ◆ Query  
**AT+ WSLK<CR>**  
**<CR><LF>+OK=<status,rssi><CR><LF>**
- Parameters:
  - ◆ status
    - If there is no connection:return“Disconnected”
    - If there is a connection:return“AP SSID ( AP MAC ) ”
  - ◆ rssi :0-100, When signal strength is required less than 10 weak signal, when the data transmission may lose data.

#### 19) AT+WAP

- Function:Set/query AP wi-fi configuration parameters;
- Format:
  - ◆ Query  
**AT+WAP<CR>**  
**<CR><LF>+OK=< ssid,key ><CR><LF>**
  - ◆ Set  
**AT+ WAP =< ssid,key ><CR>**  
**<CR><LF>+OK<CR><LF>**
- Parameters:
  - ◆ ssid:AP SSID;



- ◆ key: Set the AP encryption password (the default wpa2psk encryption, password length greater than or equal to 8 bytes), set to None is without encryption

Note: the ssid and key does not support ", "special characters.

## 20) AT+CHANNEL

- Function: Channel Settings/query module AP mode
- Format:
  - ◆ Query  
**AT+CHANNEL <CR>**  
**<CR><LF>+OK=<NUM><CR><LF>**
  - ◆ Set  
**AT+ CHANNEL =<NUM><CR>**  
**<CR><LF>+OK<CR><LF>**
- Parameters:
  - ◆ NUM: channel 1-13.

## 21) AT+LANN

- Function: Set the IP query AP mode;
- Format:
  - ◆ Query  
**AT+LANN<CR>**  
**<CR><LF>+OK=<IP, MASK><CR><LF>**
  - ◆ Set  
**AT+ LANN =<IP, MASK><CR>**  
**<CR><LF>+OK<CR><LF>**
- Parameters:
  - ◆ IP: ip
  - ◆ MASK: mask

## 22) AT+UART

- Function: Set/query UART interface parameters
- Format:
  - ◆ Query :  
**AT+UART<CR>**  
**<CR><LF>+OK=<baudrate,data\_bits,stop\_bit,parity,flowctrl><CR><LF>**
  - ◆ Set:  
**AT+UART=<baudrate,data\_bits,stop\_bit,parity,flowctrl><CR>**  
**<CR><LF>+OK<CR><LF>**
- Parameters:
  - ◆ baudrate:
    - 300-3000000 bit/s,
  - ◆ data\_bits: 5 – 8 bits
  - ◆ stop\_bits: 1, 2
  - ◆ parity: check
    - NONE
    - EVEN
    - ODD

- Mask
- Space
- ◆ flowctrl:CTS RTS
  - NFC:Disable hardware flow control
  - FC:Enable hardware flow control
  - 485: 485 communications, UART\_RTS as 485 send control terminal

Note: when the baud rate are subject to change, will automatically change the packaging interval, see 27) AT + UARTTE.

### 23) AT+UARTTE

- Function:Set/query free framing intervals
- Format:

- ◆ Query

**AT+ UARTTE<CR>**  
**<CR><LF>+OK=<num><CR><LF>**

- ◆ Set

**AT+ UARTTE=<num ><CR>**  
**<CR><LF>+OK<CR><LF>**

- Parameters:

- ◆ num:5-250:Free framing mode the interval between two bytes ms.

Note: this parameter will automatically change when set the baud rate, If you want to change the packaging interval, please first set the baud rate:

bps <= 600, num=250ms;

bps >= 20000, num=5ms;

500 < bps < 20000, num=1000/bps\*10\*10.

### 24) AT+WKMOD

- Function Set/query the socket of uart0 work mode
- Format:

- ◆ Query

**AT+WKMOD<CR>**  
**<CR><LF>+OK=<mode><CR><LF>**

- ◆ Set

**AT+WKMOD=< mode><CR>**  
**<CR><LF>+OK<CR><LF>**

- Parameters:

- ◆ mode: work mode
  - TRANS trans mode
  - HTPC Httpd Cient
  - WEBSOCK WEB Socketfunction

### 25) AT+SOCKA

- Function:Set/query network protocol parameters
- Format:

- ◆ Query

**AT+SOCKA<CR>**  
**<CR><LF>+OK=<protocol,IP,port ><CR><LF>**

- ◆ Set

**AT+SOCKA=< protocol,IP,port ><CR>  
<CR><LF>+OK<CR><LF>**

➤ Parameters:

- ◆ Protocol: Protocol type, including
  - TCPS TCP server
  - TCPC TCP client
  - UDPS UDP server
  - UDPC UDP client
- ◆ IP: When the module is set to "CLIENT", the IP address of the server
- ◆ Port: Protocol port, decimal number, less than 65535

26) AT+SOCKLKA

- Function: Query the TCP link is established;  
➤ Format:

**AT+ SOCKLKA<CR>  
<CR><LF>+OK=<STA><CR><LF>**

➤ Parameters

- ◆ STA: showing if the TCP link is established
  - CONNECT: TCP connected
  - DISCONNECTED: TCP Disconnected

27) AT+SOCKDISA

- Function: Query is there a client have connected  
➤ Format:

**AT+ SOCKDISA<CR>  
<CR><LF>+OK=<STA><CR><LF>**

➤ Parameters

- ◆ STA.: set tcp client reconnect mode
  - ON: enable tcp client reconnect
  - OFF: disable tcp client reconnect

28) AT+SOCKB

- Function: Set/query network protocol parameters  
➤ Format:

◆ Query  
**AT+SOCKB<CR>  
<CR><LF>+OK=<protocol,IP,port ><CR><LF>**

◆ Set  
**AT+SOCKB=< protocol,IP,port ><CR>  
<CR><LF>+OK<CR><LF>**

➤ Parameters:

- ◆ Protocol: Protocol type, including
  - TCPC TCP client
  - UDPS UDP server
  - UDPC UDP client
- ◆ IP: When the module is set to "CLIENT", the IP address of the server
- ◆ Port: Protocol port, decimal number, less than 65535

29) AT+SOCKLKB

- Function: Query the TCP link is established;
  - Format:  
**AT+ SOCKLKB<CR>**  
**<CR><LF>+OK=<STA><CR><LF>**
  - Parameters
    - ◆ STA: showing if the TCP link is established
      - CONNECT: TCP connected
      - DISCONNECTED: TCP Disconnected
- 30) AT+SOCKDISB
- Function: Query is there a client have connected
  - Format:  
**AT+ SOCKDISB<CR>**  
**<CR><LF>+OK=<STA><CR><LF>**
  - Parameters
    - ◆ STA.: set tcp client reconnect mode
      - ON: enable tcp client reconnect
      - OFF: disable tcp client reconnect
- 31) AT+RFCENA
- Function: Enable/Disable RFC2217 Function
  - Format:
    - ◆ Query  
**AT+RFCENA<CR>**  
**<CR><LF>+OK=< status><CR><LF>**
    - ◆ Set  
**AT+RFCENA =< status><CR>**  
**<CR><LF>+OK<CR><LF>**
  - Parameters:
    - ◆ status:
      - ON: Enable RFC2217 Function
      - OFF: Disable RFC2217 Function
- 32) AT+REGENA
- Function: Set the query registration packet mechanism
  - Format:
    - ◆ Query  
**AT+REGENA<CR>**  
**<CR><LF>+OK=< status, method><CR><LF>**
    - ◆ Set  
**AT+REGENA =< status, method ><CR>**  
**<CR><LF>+OK<CR><LF>**
  - Parameters:
    - ◆ status:
      - ID: packet mechanism can make can make the registration, the registry packet ID is 2 bytes
      - MAC: packet mechanism can make can make the registration, the registry packet is 6 bytes MAC

- USR:customer defined packet
- OFF:Ban can register packet mechanism
- ◆ method
  - EVERY Increase registered before each packet of data packet
  - FIRST Only link to the server sends a registered packet for the first time

Notice:if disable the register,just set AT+REGENA=OFF\r.

### 33) AT+REGID

- Function:Set the query registration packet ID
- Format:
  - ◆ Query
 

```
AT+REGID<CR>
<CR><LF>+OK=< NUM><CR><LF>
```
  - ◆ Set
 

```
AT+REGID =<NUM ><CR>
<CR><LF>+OK<CR><LF>
```
- Parameters:
  - ◆ NUM:0-65535, Decimal Format, when selecting registration packet ID, it is mainly used for the D2D software of our company.

### 34) AT+REGUSR

- Function:Set the customer defined registration.
- Format:
  - ◆ Query
 

```
AT+REGUSR<CR>
<CR><LF>+OK=< data><CR><LF>
```
  - ◆ Set
 

```
AT+REGUSR =<data ><CR>
<CR><LF>+OK<CR><LF>
```
- Parameters:
  - ◆ data:1-32 ASCII Code.

### 35) AT+TRENC

- Function:Set/query the status of encrypt in trans mode.
- Format:
  - ◆ Query
 

```
AT+TRENC<CR>
<CR><LF>+OK=< state,data><CR><LF>
```
  - ◆ Set
 

```
AT+TRENC =< state,data ><CR>
<CR><LF>+OK<CR><LF>
```
- Parameters:
  - ◆ state:ON/OFF.
  - ◆ data: encrypt key of PC1,32 ASCII codes(0-9,a-f,A-F)change to 16bytes(Hex) such as:1234567890abcdef1234567890abcdef, the 16bytes key is: 0x12,0x34...0xef,16bytes

### 36) AT+HTPTP

- Function:Set/Query the mode of httpd client.

- Format:
    - ◆ Query  
**AT+HTPTP<CR>**  
**<CR><LF>+OK=< data><CR><LF>**
    - ◆ Set  
**AT+HTPTP =<data ><CR>**  
**<CR><LF>+OK<CR><LF>**
  - Parameters:
    - ◆ data:GET/POST.
- 37) AT+HTPSV
- Function:Set/Query the httpd client.server address and port
  - Format:
    - ◆ Query  
**AT+HTPSV<CR>**  
**<CR><LF>+OK=< address,port><CR><LF>**
    - ◆ Set  
**AT+HTPSV =< address,port ><CR>**  
**<CR><LF>+OK<CR><LF>**
  - Parameters:
    - ◆ address:The server address.
    - ◆ port:the server port,1-65535
- 38) AT+HTPHEAD
- Function:Set/Query the httpd client.
  - Format:
    - ◆ Query  
**AT+HTPHEAD<CR>**  
**<CR><LF>+OK=< address,port><CR><LF>**
    - ◆ Set  
**AT+HTPHEAD =< address,port ><CR>**  
**<CR><LF>+OK<CR><LF>**
  - Parameters:
    - ◆ address:The server address.
    - ◆ port:the server port,1-65535
- 39) HTPURL
- Function:Set/Query the httpd client post url.
  - Format:
    - ◆ Query  
**AT+HTPURL<CR>**  
**<CR><LF>+OK=< data><CR><LF>**
    - ◆ Set  
**AT+HTPURL =< data ><CR>**  
**<CR><LF>+OK<CR><LF>**
  - Parameters:
    - ◆ data:The head defined by customer,the max length is 200 bytes  
The <<CRLF>> replace “/r/n”.

like: Accept: image/gif<<CRLF>>Content-Type: text/html<<CRLF>>

#### 40) HTPCHD

- Function:Set/Query the state of cutting head of return data.
- Format:
  - ◆ Query  
**AT+HTPCHD<CR>**  
**<CR><LF>+OK=< state><CR><LF>**
  - ◆ Set  
**AT+HTPCHD =< state ><CR>**  
**<CR><LF>+OK<CR><LF>**
- Parameters:
  - ◆ state:
    - ON:delete the head of return data from server.
    - OFF:don't delete the head of return data from server.

#### 41) AT+UART1

- Function:Set/query UART interface parameters
- Format:
  - ◆ Query :  
**AT+UART1<CR>**  
**<CR><LF>+OK=<baudrate,data\_bits,stop\_bit,parity ><CR><LF>**
  - ◆ Set:  
**AT+UART1=<baudrate,data\_bits,stop\_bit,parity ><CR>**  
**<CR><LF>+OK<CR><LF>**
- Parameters:
  - ◆ baudrate:
    - 300-3000000 bit/s,
  - ◆ data\_bits:5 – 8 bits
  - ◆ stop\_bits:1,2
  - ◆ parity:check
    - NONE
    - EVEN
    - ODD
    - MARK
    - SPACE

Note: when the baud rate are subject to change, will automatically change the packaging interval, see AT + UARTTE1.

#### 42) AT+UARTTE1

- Function:Set/query free framing intervals
- Format:
  - ◆ Query  
**AT+ UARTTE1<CR>**  
**<CR><LF>+OK=<num><CR><LF>**
  - ◆ Set  
**AT+ UARTTE1=<num ><CR>**  
**<CR><LF>+OK<CR><LF>**

- Parameters:
  - ◆ num:5-250:Free framing mode the interval between two bytes ms.

Note: this parameter will automatically change when set the baud rate, If you want to change the packaging interval, please first set the baud rate:

bps <= 600, num=250ms;

bps >= 20000, num=5ms;

500 < bps < 20000, num=1000/bps\*10\*10.

#### 43) AT+WKMOD1

- Function Set/query the socket of uart0 work mode

- Format:

- ◆ Query

**AT+WKMOD1<CR>**  
**<CR><LF>+OK=<mode><CR><LF>**

- ◆ Set

**AT+WKMOD1=< mode><CR>**  
**<CR><LF>+OK<CR><LF>**

- Parameters:

- ◆ mode: work mode

- TRANS trans mode
- HTPC Httpd Cient
- SSL SSL Socket function
- OFF close socketa1

#### 44) AT+SOCKA1

- Function:Set/query network protocol parameters

- Format:

- ◆ Query

**AT+SOCKA1<CR>**  
**<CR><LF>+OK=<protocol,IP,port ><CR><LF>**

- ◆ Set

**AT+SOCKA1=< protocol,IP,port ><CR>**  
**<CR><LF>+OK<CR><LF>**

- Parameters:

- ◆ Protocol:Protocol type, including

- TCPC TCP client
- UDPS UDP server
- UDPC UDP client

- ◆ IP:When the module is set to "CLIENT", the IP address of the server

- ◆ Port: Protocol port, decimal number, less than 65535

#### 45) AT+SOCKLKA1

- Function:Query the TCP link is established;

- Format:

**AT+ SOCKLKA1<CR>**  
**<CR><LF>+OK=<STA><CR><LF>**

- Parameters

- ◆ STA: showing if the TCP link is established



- CONNECT: TCP connected
- DISCONNECTED: TCP Disconnected

## 46) AT+SOCKDISA1

- Function: Query is there a client have connected

- Format:

**AT+ SOCKDISA1<CR>**

**<CR><LF>+OK=<STA><CR><LF>**

- Parameters

- ◆ STA.: set tcp client reconnect mode
  - ON: enable tcp client reconnect
  - OFF: disable tcp client reconnect

## 47) AT+RFCENA1

- Function:Enable/Disable RFC2217 Function

- Format:

- ◆ Query

**AT+RFCENA1<CR>**

**<CR><LF>+OK=< status><CR><LF>**

- ◆ Set

**AT+RFCENA1 =< status><CR>**

**<CR><LF>+OK<CR><LF>**

- Parameters:

- ◆ status:
  - ON:Enable RFC2217 Function
  - OFF:Disable RFC2217 Function

## 48) AT+REGENA1

- Function:Set the query registration packet mechanism

- Format:

- ◆ Query

**AT+REGENA1<CR>**

**<CR><LF>+OK=< status, method><CR><LF>**

- ◆ Set

**AT+REGENA1 =< status, method ><CR>**

**<CR><LF>+OK<CR><LF>**

- Parameters:

- ◆ status:
  - ID:packet mechanism can make can make the registration, the registry packet ID is 2 bytes
  - MAC:packet mechanism can make can make the registration, the registry packet is 6 bytes MAC
  - USR:customer defined packet
  - OFF:Ban can register packet mechanism
- ◆ method
  - EVERY Increase registered before each packet of data packet
  - FIRST Only link to the server sends a registered packet for the first time

Notice:if disable the register,just set AT+REGENA1=OFF\r.

## 49) AT+REGID1

- Function: Set the query registration packet ID
- Format:
  - ◆ Query  
**AT+REGID1<CR>**  
**<CR><LF>+OK=< NUM><CR><LF>**
  - ◆ Set  
**AT+REGID1 =<NUM ><CR>**  
**<CR><LF>+OK<CR><LF>**
- Parameters:
  - ◆ NUM: 0-65535, Decimal Format, when selecting registration packet ID, it is mainly used for the D2D software of our company.

## 50) AT+REGUSR1

- Function: Set the customer defined registration.
- Format:
  - ◆ Query  
**AT+REGUSR1<CR>**  
**<CR><LF>+OK=< data><CR><LF>**
  - ◆ Set  
**AT+REGUSR1 =<data ><CR>**  
**<CR><LF>+OK<CR><LF>**
- Parameters:
  - ◆ data: 1-32 ASCII Code.

## 51) AT+TRENC1

- Function: Set/query the status of encrypt in trans mode.
- Format:
  - ◆ Query  
**AT+TRENC1<CR>**  
**<CR><LF>+OK=< state,data><CR><LF>**
  - ◆ Set  
**AT+TRENC1 =< state,data ><CR>**  
**<CR><LF>+OK<CR><LF>**
- Parameters:
  - ◆ state: ON/OFF.
  - ◆ data: encrypt key of PC1, 32 ASCII codes(0-9,a-f,A-F) change to 16bytes(Hex) such as: 1234567890abcdef1234567890abcdef, the 16bytes key is: 0x12,0x34...0xef, 16bytes

## 52) AT+HTPTP1

- Function: Set/Query the mode of httpd client.
- Format:
  - ◆ Query  
**AT+HTPTP1<CR>**  
**<CR><LF>+OK=< data><CR><LF>**
  - ◆ Set  
**AT+HTPTP1 =<data ><CR>**

**<CR><LF>+OK<CR><LF>**

- Parameters:
  - ◆ data:GET/POST.

#### 53) AT+HTPSV1

- Function:Set/Query the httpd client.server address and port
- Format:
  - ◆ Query  
**AT+HTPSV1<CR>**  
**<CR><LF>+OK=< address,port><CR><LF>**
  - ◆ Set  
**AT+HTPSV1 =< address,port ><CR>**  
**<CR><LF>+OK<CR><LF>**
- Parameters:
  - ◆ address:The server address.
  - ◆ port:the server port,1-65535

#### 54) AT+HTPHEAD1

- Function:Set/Query the httpd client.
- Format:
  - ◆ Query  
**AT+HTPHEAD1<CR>**  
**<CR><LF>+OK=< address,port><CR><LF>**
  - ◆ Set  
**AT+HTPHEAD1 =< address,port ><CR>**  
**<CR><LF>+OK<CR><LF>**
- Parameters:
  - ◆ address:The server address.
  - ◆ port:the server port,1-65535

#### 55) HTPURL1

- Function:Set/Query the httpd client post url.
- Format:
  - ◆ Query  
**AT+HTPURL1<CR>**  
**<CR><LF>+OK=< data><CR><LF>**
  - ◆ Set  
**AT+HTPURL1 =< data ><CR>**  
**<CR><LF>+OK<CR><LF>**
- Parameters:
  - ◆ data:The head defined by customer,the max length is 200 bytes  
The <<CRLF>> replace “/r/n”.  
like: Accept: image/gif<<CRLF>>Content-Type: text/html<<CRLF>>

#### 56) HTPCHD1

- Function:Set/Query the state of cutting head of return data.
- Format:
  - ◆ Query  
**AT+HTPCHD1<CR>**

**<CR><LF>+OK=< state><CR><LF>**

◆ Set

**AT+HTPCHD1 =< state ><CR>**

**<CR><LF>+OK<CR><LF>**

➤ Parameters:

◆ state:

- ON:delete the head of return data from server.
- OFF:don't delete the head of return data from server.

57) AT+SSLSECM

➤ Function:Set/Query SSL Client encrypt type.

➤ Format:

◆ Query

**AT+SSLSECM<CR>**

**<CR><LF>+OK=< state><CR><LF>**

◆ Set

**AT+ SSLSECM =< state ><CR>**

**<CR><LF>+OK<CR><LF>**

➤ Parameters:

◆ state:

- SSLV3;
- TLSV1;
- TLSV1\_1;
- TLSV1\_2;
- SSL\_TLS; SSLv3\_TLSV1\_2
- DLSV;

58) AT+SSLMASK

➤ Function:Set/Query SSL Client encrypt method.

➤ Format:

◆ Query

**AT+SSLMASK<CR>**

**<CR><LF>+OK=< state><CR><LF>**

◆ Set

**AT+ SSLMASK =< state ><CR>**

**<CR><LF>+OK<CR><LF>**

➤ Parameters:

◆ state:

- **SSL\_SHA:** SSL\_RSA\_WITH\_RC4\_128\_SHA
- **SSL\_MD5:** SSL\_RSA\_WITH\_RC4\_128\_MD5
- **TLS:** TLS\_RSA\_WITH\_AES\_256\_CBC\_SHA
- **TLS\_DHE:** TLS\_DHE\_RSA\_WITH\_AES\_256\_CBC\_SHA
- **TLS\_256:** TLS\_ECDHE\_RSA\_WITH\_AES\_256\_CBC\_SHA
- **TLS\_128:** TLS\_ECDHE\_RSA\_WITH\_RC4\_128\_SHA
- **DEFAULT:** SECURE\_DEFAULT

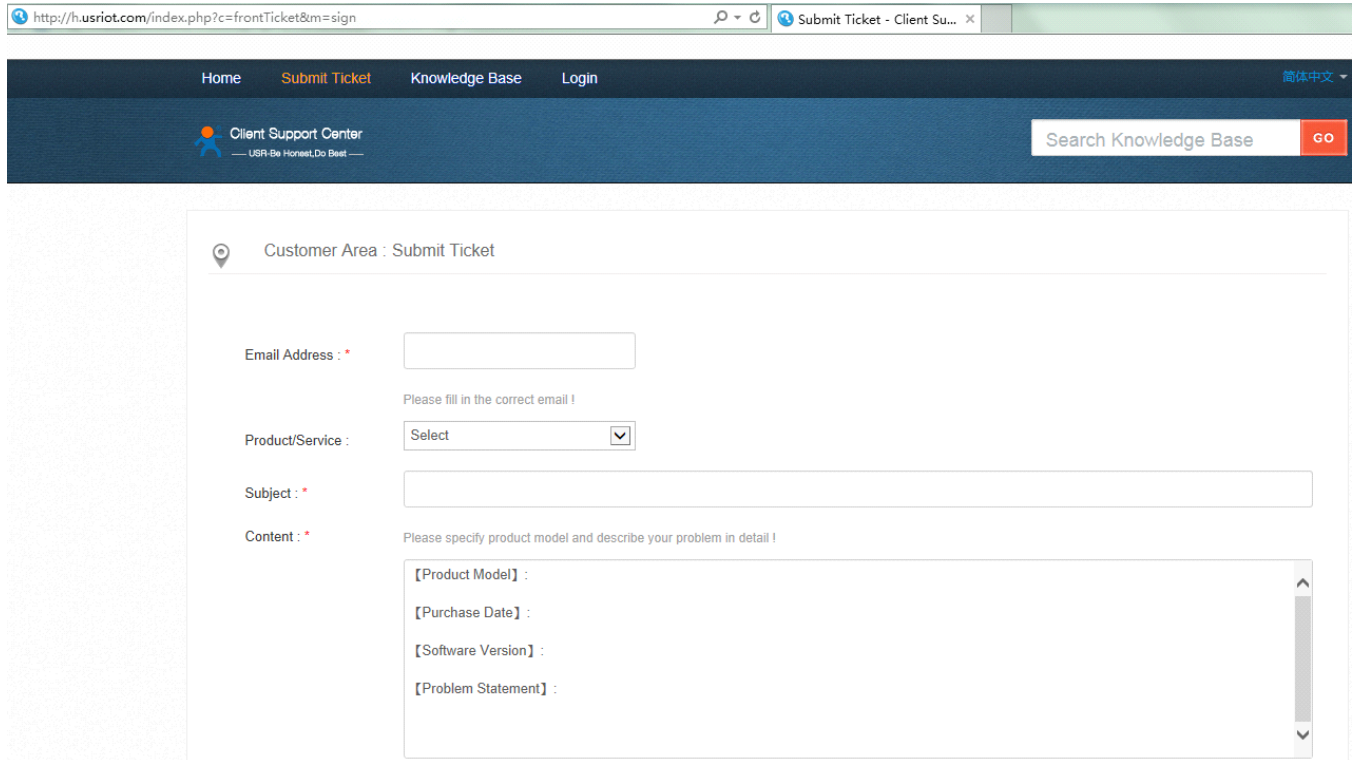
59) AT+SSLCA

➤ Function:Set/Query the name of SSL certification.

- Format:
    - ◆ Query  
**AT+SSLCA<CR>**  
**<CR><LF>+OK=< data><CR><LF>**
    - ◆ Set  
**AT+SSLCA =< data ><CR>**  
**<CR><LF>+OK<CR><LF>**
  - Parameters:
    - ◆ data: the name of SSL certification,max length is 32 bytes.
- 60) AT+SSLIPP
- Function:Set/Query the server of SSL client.
  - Format:
    - ◆ Query  
**AT+SSLIPP<CR>**  
**<CR><LF>+OK=< address,port><CR><LF>**
    - ◆ Set  
**AT+SSLIPP =< address,port ><CR>**  
**<CR><LF>+OK<CR><LF>**
  - Parameters:
    - ◆ address: the server address.
    - ◆ Port:the server port

## 5、service and support

If you have problems when use the module,you can submit the question to <http://h.usriot.com> .We will solve your question at the first time.



The screenshot shows a web browser window with the URL <http://h.usriot.com/index.php?c=frontTicket&m=sign>. The page title is "Submit Ticket - Client Su...". The navigation menu includes "Home", "Submit Ticket", "Knowledge Base", and "Login". The "Client Support Center" logo is visible, along with a search bar for the "Knowledge Base".

The main content area is titled "Customer Area : Submit Ticket". It contains the following form fields:

- Email Address :** \* [Text input field]
- Please fill in the correct email !
- Product/Service :** [Dropdown menu with "Select" option]
- Subject :** \* [Text input field]
- Content :** \* Please specify product model and describe your problem in detail !

The content field is a large text area with a vertical scrollbar. It contains the following labels for input:

- [Product Model] :**
- [Purchase Date] :**
- [Software Version] :**
- [Problem Statement] :**

## Appendix A: Contact Information

-----  
Company: Jinan USR IOT Technology Limited  
Address: 1-728, Huizhan Guoji Cheng, Gaoxin Qu, Jinan, Shandong, China  
Web: <http://www.usr.so>  
Email: [sales@usr.cn](mailto:sales@usr.cn), [order@usr.cn](mailto:order@usr.cn)  
-----

## Appendix B: Disclaimer

This document provides information about USR-C322 modules, this document does not grant any license to intellectual property rights. Except the responsibility declared in the product sale clause, USR does not assume any other responsibilities. In addition, USR does not make any warranties for the sale and use of this product, including the suitability of the product for a particular purpose, merchantability or fitness for any patent, copyright or other intellectual property infringement, etc. USR may make changes to specifications and product descriptions without notice.

## Appendix C: Update History

V 1.0	09-15-2014.	First Version
V 1.1	10-13-2014.	Add webpage setting parameter
V 1.2	02-09-2015.	Add low power mode,add <b>domain name resolution(DNS)</b>
V 1.3	03-05-2015.	Add simplelink fast setting
V1.4	03-23-2015	Add limitation of some AT command parameter Add 485 function Add RXD , TXD pull-up in schematic diagram
V1.5	03-31-2015	Add UDP broadcast Add the limit of length when enter web authentication Improve the losing data problem when transmitting data
V2.1	05-19-2015	Add uart1 and two sockets,add httpd client function,web socket function,SSL Client function
V2.2	06-10-2015	Add Service and Support web address

**<END>**