



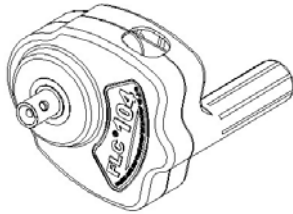
FLC® BS104 SIDE VENTILATION UNIT USER MANUAL

Thank you for using FLC® 104 Side Ventilation Roll-Up Unit! For safety please, please install the product as per

instruction and illustration:

BS104 Body

Parts Name

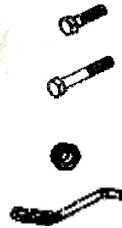


Hex bolt (M6×25)

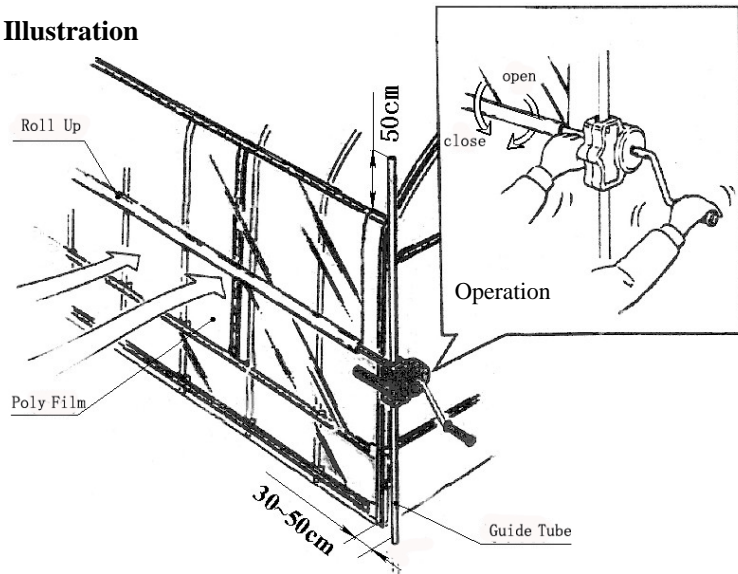
Hex bolt (M6×35)

Nut (M6)

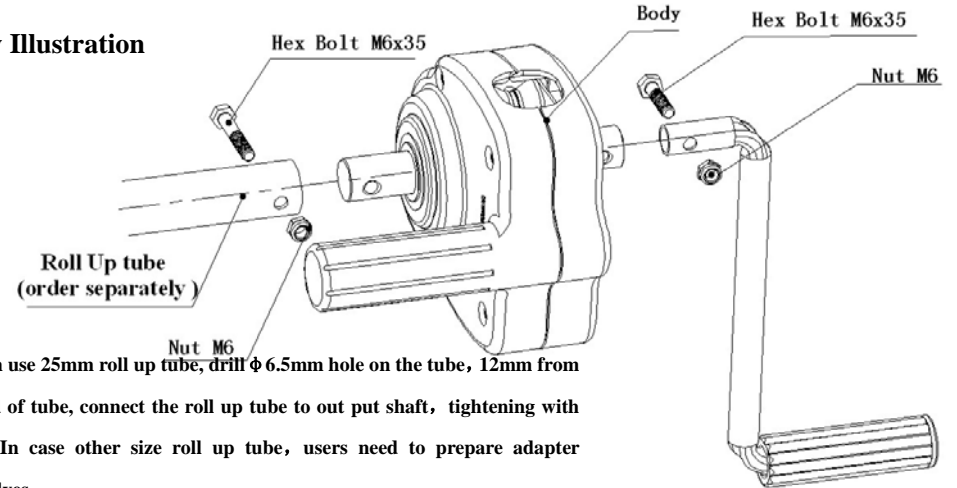
Handle



Installation Illustration



Assembly Illustration



Note: When use 25mm roll up tube, drill ϕ 6.5mm hole on the tube, 12mm from the end of tube, connect the roll up tube to out put shaft, tightening with screw. In case other size roll up tube, users need to prepare adapter themselves.

Safety Instructions

1. Be sure that each nut and bolt screwed tightly and steadily
2. Do not roll by ruinous force and use on an over length greenhouse
3. Don't open this unit's body or dismantle it.
4. Be sure to check the connecting parts screwed by nut and screw once a year
5. Check the points connecting this unit and the rolling bar timely to keep balance and to avoid falling down.
6. Do not hold the film holding bands too tight, otherwise it doesn't work properly.

Features: Compact, light weight, strong capability, perfect self-locking performance.
7. This unit is used for greenhouse side vent only, and any other application is not allowed.
Featured Branded Product exported to Japan market for many years

Cautions:

1. Guiding Tube (Φ 19 or 1/2" (Φ 22)) should be fixed vertically and steadily on the ground 30cm to 50cm away from greenhouse.
2. The guiding tube should be taller than the top film of rolling-up by 50cm.
3. The fixed film and the film rolled around rolling bar should be overlapped each other

Parameter

1. Rated Torque: 30N.m
2. Curtain Height: 1.5m
3. Curtain length: \leq 90 meter
4. Out dimension: 173×148×125 (mm)

Beijing Fenglong Technology Co., Ltd

Add: Chinese Academy Of Agricultural Sciences,
No.12 South Street Zhongguancun, Beijing
China 100081

Tel: 86 10 62149667

Fax: 86 10 82108614