

TREK-743

7" Vehicle Mounted Computer with AMD LX800 Processor



Features

- 7" WVGA TFT LCD, with adjustable brightness
- 5 programmable function keys with LED backlight
- Rugged aluminum enclosure and fanless design
- Embedded OS Support (Win CE6.0 or XP Embedded)
- Flexible expansion capability for IEEE 802.11b/g WLAN, GPS, GPRS/CDMA/HSDPA
- Extreme temperature operating capability
- Reliable wide DC power input for in-vehicle application

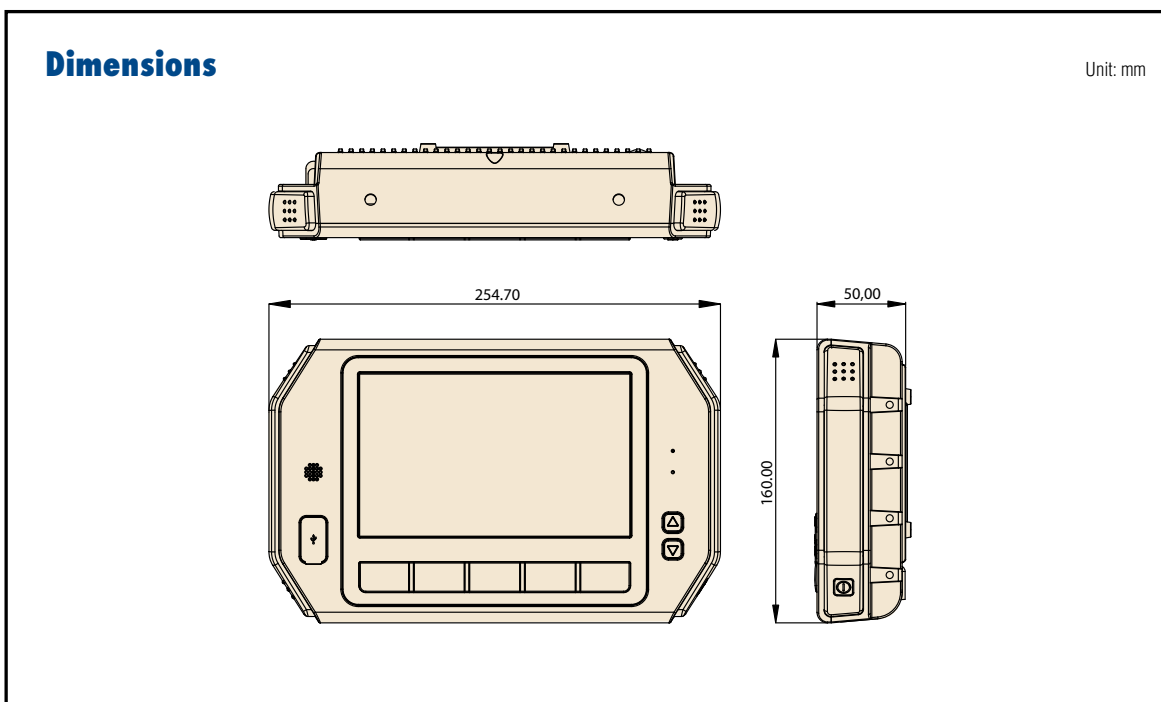


Introduction

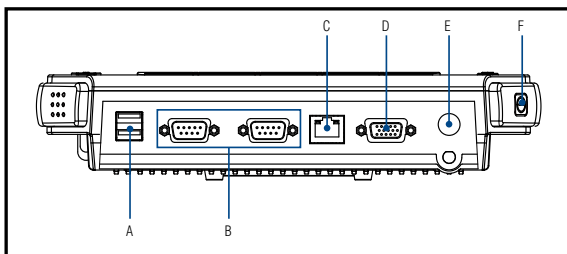
The TREK-743 is a fanless and compact, vehicle-mounted computer for a wide range of commercial vehicle applications. The radio options and programmable function keys make the TREK-743 suitable for delivery, fleet management and warehousing/logistics applications. The ruggedized aluminum enclosure does not have ventilation holes, which makes the TREK-743 waterproof and dust proof. It is equipped with options for real-time communication and data capture in vehicles to improve productivity.

Specifications

Processor System	CPU	Onboard AMD LX800 500 MHz
	Chipset	Integrated in AMD CS5536AD South Bridge
	System Memory	One 200-pin SODIMM socket, accepts up to 1 GB DDR266/333 SDRAM (Win CE supports up to 512 MB DDR)
	Operating System	Windows Embedded System, WinCE5.0
	SSD	1 x type II CompactFlash socket
	Bus Expansion	1 x MiniPCI expansion slot
	LAN	10/100 Mbps Ethernet
	Audio	Built-in 1 x 1.5w speaker
	Function Keys	5 lighted, programmable function keys
	GPS (Optional)	uBlox LEA-5S 50 channel GPS receiver Max.
	Bluetooth (Optional)	One Class 2 Bluetooth V2.0 + EDR module
	CAN Bus	RS-232 baud rate up to 115.2K bps
	WWAN (Optional)	Quad-band 900/1800/850/1900 MHz Cinterion MC55i GPRS/Sierra MC5728V (CDMA) & MC8790 (HSDPA)/GPRS/CDMA/HSDPA modem
	WLAN (Optional)	IEEE802.11b/g
Protection	IP65 front panel without ventilation holes	
Dimensions (W x H x D)	255 x 160 x 50 mm (10.04" x 6.30" x 1.97")	
Weight	1.7 kg (3.75 lb)	
Power Supply	Input Voltage	9 ~ 36 V _{DC} with ISO-7637-2, SAE J1455, SAE J1113 Certified
	Minimum Input Voltage	6 V _{DC} , supports ignition cold crank, Low battery shut-down protection threshold (optional)
	Ignition On/Off	Power on delay, default 2 seconds Power off delay, default 5 seconds Hardware power off delay, default 30 seconds
Display	Display Type	7" color TFT LCD, LED backlight
	Luminance	380 cd/m ² (max.) with Touch screen
	Max. Resolution	Wide-VGA 800 x 480, 5% ~ 100% brightness controlled by H/W buttons
Touchscreen	Type	Analog resistive, continuous resolution
Environmental Specifications	Operating Temperature	-20 ~ 60° C (-4 ~ 140° F)
	Relative Humidity	10 ~ 95% @ 40° C (non-condensing)
	Shock	30 G peak acceleration (11 msec duration)
	Certifications	EMC: CE, FCC, CCC Safety: UL, CUL, CE, CCC, CB
	Vibration	5 ~ 500 Hz 4.5G RMS random vibration



Fully Integrated I/O



- A: 2 x USB v2.0
- B: 2 x RS-232/422/485
- C: 1 x 10/100 LAN
- D: 1 x CAN Bus & 4 Optically Isolated DI/DO (DB-15 Connectors)
- E: DC Inlet
- F: Power On/Off Switch

Ordering Information

Part Number	Description
TREK-743R-A1E	TREK-743R bare-bone w/ A1 ver.
TREK-743R-HA1E	TREK-743R-A1E w/HSUPA
TREK-743R-GA1E	TREK-743R-A1E w/GPS, GPRS, BT
TREK-743R-XPEA1E	TREK-743R-A1E w/XPE, 1G RAM, 2G CF
TREK-743R-WCEA1E	TREK-743R-A1E w/WLAN, CE6.0, 512M RAM, 2G CF
TREK-743R-GXPEA1E	TREK-743R-A1E w/GPS, GPRS, XPE, BT, 1G RAM, 2G CF
TREK-743R-CWXPEA1E	TREK-743R-A1E w/GPS, CDMA, WLAN, XPE, 1G RAM, 4G CF
TREK-743R-HWXPEA1E	TREK-743R-A1E w/GPS, HSDPA, WLAN, XPE, 1G RAM, 2G CF
TREK-743R-GWXPEA1E	TREK-743R-A1E w/GPS, GPRS, WALN, BT, XPE, 1G RAM, 2G CF

Mounting Kits



Packing list

P/N	Description
1700017857	A Cable POWER CON-3P 183.6cm TREK-743 x1
1750001380	GPS antenna N12G0002 5.5V 22mA 40.5x38 w/5m x1 (Optional)
1750005865	Antenna L=10.9cm 500hm AN8921F-5701SM x1 (GPRS, Optional)
2006074310	TREK-743 user manual for 3C (CHS) 1st ed x1
2028077500	China RoHS List for TREK Series 1st ed x1
2066074303	Driver & manual CD for TREK-743 V1.30 x1
2190000902	CARDBOARD-WARRANTY REV. A2 x1
9680001060	Wireless Antenna x1 (Optional)

Accessories

Part Number	Description
RAM-MOUNT-01	VESA RAM mount w/clamp base, 1.5" ball
RAM-MOUNT-02	VESA RAM mount w/2.5" DIA. base, 1.5" ball
RAM-MOUNT-03	VESA RAM mount w/3.68" DIA., 2.25" ball
RAM-MOUNT-05E	VESA RAM mount w/clamp base, 2.25" ball
966074302E	19V adapter for TREK-743