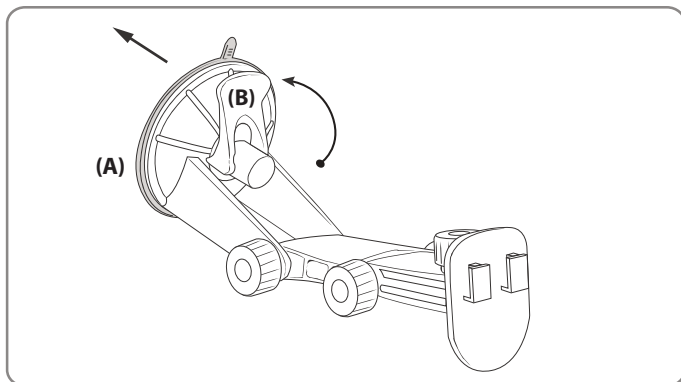
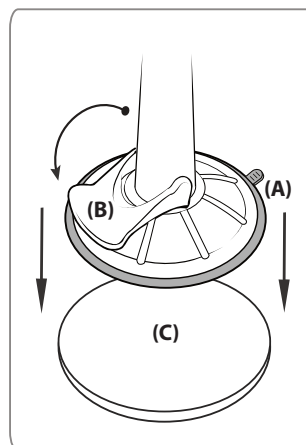


SM235 & CM935 | Universal 7" Windshield Mobile Phone or PDA Mount



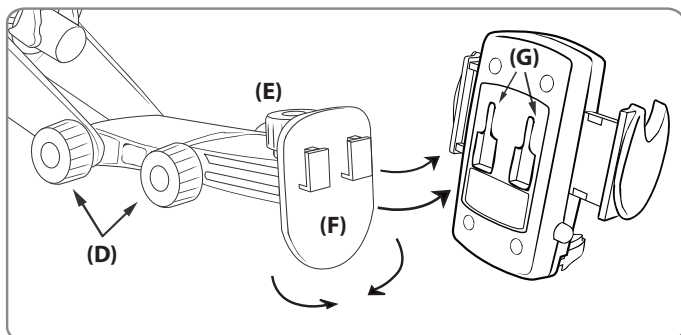
Windshield Installation

Step 1. Push the pedestal suction cup (A) firmly to the windshield. Flip the lever (B) down to secure the suction cup.



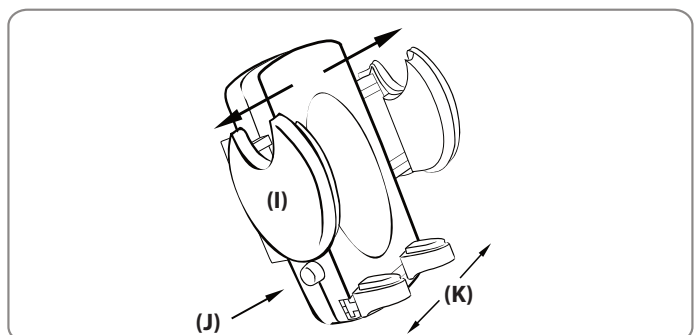
Dash Installation (Optional, when disc is included)

- Step 1. Locate a safe flat surface on the dash or console to mount the pedestal. Clean the dash with the alcohol pad provided. Let the dash surface dry before applying the adhesive disc (C).
- Step 2. Push the pedestal suction cup (A) firmly to the disc (C). Flip the lever (B) down to secure the suction cup.



Pedestal and Dual-T Head Instructions

- Step 1. Adjust the angle of the arm by loosening the adjustment knobs (D).
- Step 2. Adjust the lateral angle of the pedestal head by loosening the adjustment knob (E).
- Step 3. Attach the device cradle to the dual-T tab head (F) by inserting the T-tabs into the T-slots (G).



Universal Cradle Instructions

- Step 1. If necessary, adjust the support legs (K) by sliding them laterally. These provide support for your device.
- Step 2. Place device on the support legs (K) and squeeze the side grip arms (I) until they fit securely to the device.
- Step 3. Push the release button (J) in order to release the device from the cradle.

Safety Precautions

Do not install Arkon products over an air bag cover or within the air bag deployment zone. Arkon Resources, Inc. assumes no responsibility of liability for injury or death as a result of car crashes and/or air bag deployment.

Arkon Resources, Inc. is not responsible for any damages caused to your car, your device, or yourself due to the installation or use of the pedestal mount.

ARKON
RESOURCES INC.

The Mobile Mounting Specialists™

Consumer Hotline:
(USA) (800) 841-0884
(INT'L) (626) 254-9005
Mon-Fri. 9am-5pm, PST

www.arkon.com
Arcadia, CA 91006 USA
Made in Taiwan

© Copyright 2007 Arkon Resources, Inc.