

WARRANTY INFORMATION

3 YEAR LIMITED WARRANTY

Sunbeam Products, Inc. doing business as Jarden Consumer Solutions or if in Canada, Sunbeam Corporation (Canada) Limited doing business as Jarden Consumer Solutions (collectively "JCS") warrants that for a period of three years from the date of purchase, this product will be free from defects in material and workmanship. JCS, at its option, will repair or replace this product or any component of the product found to be defective during the warranty period. Replacement will be made with a new or remanufactured product or component. If the product is no longer available, replacement may be made with a similar product of equal or greater value. This is your exclusive warranty. Do NOT attempt to repair or adjust any electrical or mechanical functions on this product. Doing so will void this warranty. This warranty is valid for the original retail purchaser from the date of initial retail purchase and is not transferable. Keep the original sales receipt. Proof of purchase is required to obtain warranty performance. JCS dealers, service centers, or retail stores selling JCS products do not have the right to alter, modify or any way change the terms and conditions of this warranty.

This warranty does not cover normal wear of parts or damage resulting from any of the following: negligent use or misuse of the product, use on improper voltage or current, use contrary to the operating instructions, disassembly, repair or alteration by anyone other than JCS or an authorized JCS service center. Further, the warranty does not cover: Acts of God, such as fire, flood, hurricanes and tornadoes.

What are the limits on JCS's Liability?

JCS shall not be liable for any incidental or consequential damages caused by the breach of any express, implied or statutory warranty or condition.

Except to the extent prohibited by applicable law, any implied warranty or condition of merchantability or fitness for a particular purpose is limited in duration to the duration of the above warranty.

JCS disclaims all other warranties, conditions or representations, express, implied, statutory or otherwise.

JCS shall not be liable for any damages of any kind resulting from the purchase, use or misuse of, or inability to use the product including incidental, special, consequential or similar damages or loss of profits, or for any breach of contract, fundamental or otherwise, or for any claim brought against purchaser by any other party.

Some provinces, states or jurisdictions do not allow the exclusion or limitation of incidental or consequential damages or limitations on how long an implied warranty lasts, so the above limitations or exclusion may not apply to you.

This warranty gives you specific legal rights, and you may also have other rights that vary from province to province, state to state or jurisdiction to jurisdiction.

How to Obtain Warranty Service

In the U.S.A.

If you have any questions regarding your product, this warranty, or would like to obtain warranty service, please visit our website at www.holmesproducts.com or call 1-800-546-5637 and a convenient service center address will be provided to you.

In Canada

If you have any questions regarding your product, this warranty, or would like to obtain warranty service, please visit our website at www.holmesproducts.com or call 1-800-546-5637 and a convenient service center address will be provided to you.

WARRANTY INFORMATION

In the U.S.A., this warranty is offered by Sunbeam Products, Inc. doing business as Jarden Consumer Solutions located in Boca Raton, Florida 33431. In Canada, this warranty is offered by Sunbeam Corporation (Canada) Limited doing business as Jarden Consumer Solutions, located at 20B Hereford Street, Brampton, Ontario L6Y 0M1. If you have any other problem or claim in connection with this product, please write our Consumer Service Department. **PLEASE DO NOT RETURN THIS PRODUCT TO ANY OF THESE ADDRESSES OR TO THE PLACE OF PURCHASE.**

Holmes®

Owner's Guide

HASF1650



16 inches (40 cm) Indoor/Outdoor Oscillating

Stand Fan

PLEASE READ AND SAVE THESE IMPORTANT INSTRUCTIONS

© 2007 Sunbeam Products, Inc. doing business as Jarden Consumer Solutions. All Rights Reserved. Distributed by Sunbeam Products, Inc. doing business as Jarden Consumer Solutions, Boca Raton, Florida 33431.

9100010009718

HASF165007EM1

Printed In China

PLEASE READ AND SAVE THESE IMPORTANT SAFETY INSTRUCTIONS

When using electrical appliances, basic safety precautions should always be taken including the following:

1. Read all instructions before using this appliance.
2. Use fan only for purposes described in the instruction manual.
3. To protect against electrical shock do not immerse unit, plug or cord in water or spray with liquids and plug the appliance directly into a electrical outlet.
4. Close supervision is necessary when any appliance is used by or near children.
5. Unplug from outlet when not in use, when moving fan from one location to another, before putting on or taking off parts and before cleaning.
6. Avoid contact with moving parts.
7. Do not operate in the presence of explosive and/or flammable fumes.
8. To avoid fire hazard, NEVER place the cord under rugs or any parts near an open flame, cooking or other heating appliance.
9. Do not operate any appliance with a damaged cord or plug after the appliance malfunctions, or has been dropped/damaged in any manner.
10. The use of attachments not recommended or sold by the appliance manufacturer may cause hazards.
11. Do not let the cord hang over the edge of a table, counter or come in contact with hot surfaces or leave exposed to high traffic areas.
12. To disconnect, grip plug and pull from wall outlet. Never yank on cord.
13. Always use on a dry, level surface.
14. Do not operate fan until fully assembled with all parts properly in place.
15. This product is intended for household use ONLY and not for commercial or industrial applications.

16. **WARNING:** To reduce the risk of fire or electric shock, DO NOT use this fan with any solid-state speed control device.

PLEASE READ AND SAVE THESE IMPORTANT SAFETY INSTRUCTIONS

ASSEMBLY INSTRUCTIONS

NOTE: MAKE SURE YOU REMOVE ALL CONTENTS OF THE PACKAGE. PLEASE CHECK PACKAGING MATERIALS FOR PARTS THAT COULD BE REQUIRED TO ASSEMBLE YOUR FAN.

Base/Pole Assembly

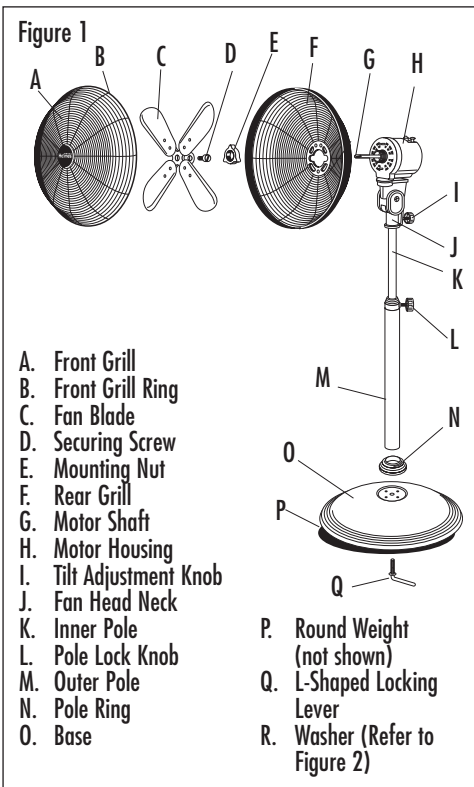
You will need the base, Round Weight, pole assembly, pole ring, washer and L-shaped locking lever (See Figure 1-2).

1. Slide the bottom end of the outer pole through the pole ring.
2. Turn the base upside down and place the weighted insert and washer into the base cover.
3. Secure the base and round weight to the bottom of the outer pole using the L-shaped locking lever and washer.
4. Turn the L-shaped locking lever clockwise to securely attach the pole to the base.
5. Set the base on the floor, weight side down. Push the pole ring down until it sits directly on the base.

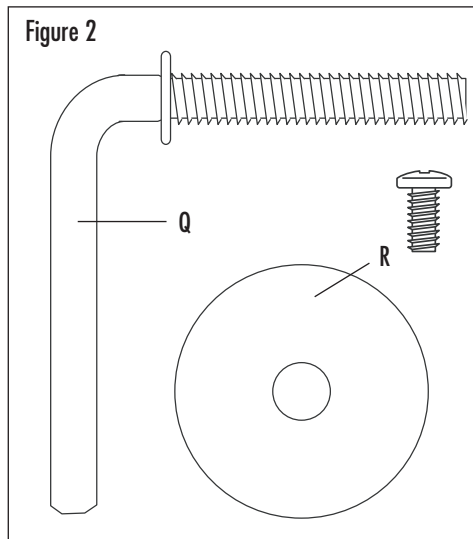
Fan Head Assembly

You are now ready to assemble the fan head (See Figure 1-2).

FEATURES - OPERATIONS



1. Position the Rear Grill over the Motor Shaft, making certain the notches at the top and bottom of the Rear Grill fit over the prongs on the Motor Housing. Please make sure the Rear Grill fits securely against the motor housing.
2. Secure the rear grill in its place using the rear grill mounting nut. Turn this nut clockwise and tighten firmly.
3. Slide the fan blade, with the hollowed interior of the blade facing toward the rear grill, firmly onto the motor shaft. The top of the motor shaft should lie even with the center of the fan blade.
4. Line up the hole on the shaft of the fan blade with the notch on the motor shaft.
5. After aligning the holes, secure the fan blade to the



motor shaft by tightening the securing screw with a Phillips head screw driver.
NOTE: The securing screw is not intended to sit flush when securing the blade.

6. Center the front grill by aligning the Holmes® logo on the logo plate so it is horizontal and parallel with the floor. Then, holding the front grill against the rear grill, push the grill ring into place at the top and bottom of the fan. (Push directly on the grill ring, not on the grills themselves). Finish securing the grill ring in the same manner until both grills are joined underneath the ring.

Final Assembly

First slide the inner pole extension up from the outer pole. Insert the pole locking knob into the hole on the outer pole to securely hold this position. Next, place the fan head assembly into this extension pole, inserting the neck of the fan into the pole opening. Turn the fan head's neck until the head is securely locked into place. Finally, add the tilt adjustment knob to the hole of the fan head's neck. Tighten when fan head is in your desired position.

FEATURES - OPERATIONS CLEANING / MAINTENANCE

OPERATING INSTRUCTIONS

Your fan is UL approved and safe to be used Indoors or Outdoors. Outdoor applications provide a cool, refreshing breeze on hot stagnant days as well as warding off annoying insects or barbecue smoke.

1. Set fan base on a dry, level surface.
2. Plug cord into any standard 120 volt AC outlet. Please make sure the Selector (Speed) Control is in the OFF position. Selector (Speed) Control is located at the rear of the Fan Motor Housing.
3. The SPEED is adjusted by turning the control knob to the desired setting, OFF-III-II-I.
4. The Oscillation Control Knob is located on the top of the Fan Motor Housing. To start Oscillation, push control knob down. To Stop Oscillation, pull control knob up.

ADJUSTMENT INSTRUCTIONS

Tilt-Adjustment

Follow these instructions to tilt the Fan Head for upward angle air movement.

1. To change the tilting angle of the fan head, simply loosen the Tilt-Adjustment Knob.
2. Move the fan head to the desired angle and firmly tighten the Tilt-Adjustment Knob to lock into place.

Height Adjustment

Follow these instructions to adjust the height of the fan.

1. Turn the pole locking knob counter-clockwise to loosen the pole.
2. Adjust the pole to the desired height and firmly tighten the Pole Locking Knob in a clockwise direction.

CLEANING / MAINTENANCE INSTRUCTIONS

Follow these instructions to correctly and safely care for your fan. Please remember:

- Always unplug the fan before cleaning or disassembling.
- Do not allow water to drip on or into the fan motor housing.
- Do not use any of the following as a cleaner: gasoline, thinner, benzene.

Fan Blade Cleaning

1. To access the fan blade, remove the front grill and securing screw.
2. Clean the fan blade, front and rear grills with a soft, moist cloth.
3. Replace blade, tighten securing screw and securely fasten the front grill.

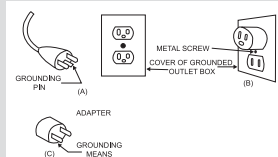
Fan Head, Base and Pole Cleaning

Using a soft, moist cloth, with or without a mild soap solution, carefully clean the fan base, pole and head. Please use caution around the motor housing area. Do not allow the motor or other electrical components to be exposed to water.

FAN STORAGE INSTRUCTIONS

Your fan should be stored in the off-season in its original box. It is important to keep it in a safe, dry location.

- We recommend using the original (or appropriately sized) box.
- Please remember to protect the fan from dust or moisture.



This product is for use on 120 volts. The cord has a plug (A) as shown. An adapter (C) is available for connecting three-blade grounding-type plugs to two-slot receptacles (B). The green grounding lug extending from the adapter must be connected to a permanent ground such as a properly grounded outlet box. The adapter should not be used if a three-slot grounded receptacle is available.

CAUTION: Use Only with GFCI Protected Receptacles.

If you have any questions regarding your product or would like to learn more about other Holmes® products, please contact our Consumer Service Department at 1-800-546-5637 or visit our website at www.holmesproducts.com