

16" REMOTE CONTROL STAND FAN



Owner's Guide

☛ **INFO HOT-LINE:** If, after reading this owner's guide you have any questions or comments, please call 1-800-5-HOLMES and a Customer Service Representative will be happy to help you.

PLEASE READ AND SAVE THESE INSTRUCTIONS

IMPORTANT INSTRUCTIONS

When using electrical appliances, basic safety precautions should always be taken including the following:

- Use fan only for purposes described in the instruction manual.
- To protect against electrical shock do not immerse unit, plug or cord in water or spray with liquids.
- Close supervision is necessary when any appliance is used by or near children.
- Unplug from outlet when not in use, when moving fan from one location to another, before putting on or taking off parts, and before cleaning.
- Avoid contact with moving parts.
- Do not operate in the presence of explosive and/or flammable fumes.
- Do not place fan or any parts near an open flame, cooking or other heating appliance.
- Do not operate any appliance with a damaged cord, plug, after the appliance malfunctions, or has been dropped/ damaged in any manner.
- The use of attachments not recommended or sold by the appliance manufacturer may cause hazards.
- Do not use outdoors.

- Do not let the cord hang over the edge of a table, counter, or come in contact with hot surfaces.
- To disconnect, grip plug and pull from wall outlet. Never yank on cord.
- Always use on a dry, level surface.
- Do not operate without fan grills properly in place.
- This product is intended for household use **ONLY** and not for commercial or industrial applications.

PLEASE READ AND SAVE THESE INSTRUCTIONS

WARNING: To reduce the risk of fire or electrical shock, **DO NOT USE THIS FAN** with any **SOLID STATE Fan Speed Control Device**

THIS PRODUCT IS EQUIPPED WITH A POLARIZED A.C. (Alternating Current) PLUG (a plug having one blade wider than the other). This plug will fit into the power outlet only one way. This is a safety feature. If you are unable to insert the plug fully into the outlet, try reversing the plug. If the plug should still fail to fit, contact an electrician to replace the obsolete outlet. **DO NOT DEFEAT THE SAFETY PURPOSE OF THIS POLARIZED PLUG**



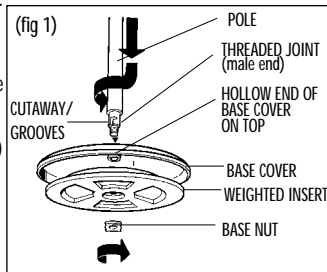
ASSEMBLY INSTRUCTIONS:

Carefully unpack contents of carton.

Base Assembly:

You will need the base cover, weighted insert, 1 pole (either can be used, they are interchangeable) and base nut.

STEP 1. Insert 1 pole through the base cover and twist pole clockwise to lock in position.



Be careful to align the cutaway / grooves on the threaded joint (male end), (see figure # 1) with the two protruding raised pieces inside the hollow end of the base cover, (see figure #1).

STEP 2. Now turn the base cover upside down (pole facing floor) and place the weighted insert into the base cover. The pole threads will be exposed as they protrude through the base insert.

Note: Hold the pole, base cover and weighted insert in one hand while tightening the base nut with the other hand.

STEP 3. Now, place the base nut on the threaded section and hand tighten base nut to securely fasten the pole to the base.

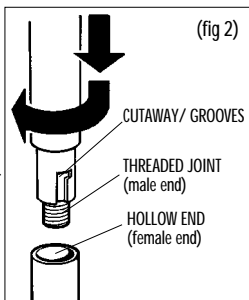
Note: Do not use a tool to tighten the base nut.

Pole Assembly:

You will need the second pole.

Note: The poles are interchangeable.

Insert the pole with the threaded joint (male end), (see figure # 2) into the hollow end of the second pole (female end), (see figure # 2) until both poles meet. Be careful to align the cutaway / grooves on the threaded joint (male end) with the two protruding raised pieces inside the hollow end of the second pole (female end).



Now, slowly turn the pole with the threaded joint clockwise to lock it securely in place (see figure #2).

Fan Head Assembly:

You are now ready to assemble the fan head (See Figure #3)

STEP 1. Position the rear grill over the motor shaft, making certain the 2 notches at the top and bottom of the rear grill fit over the 2 prongs on the motor housing. Please make sure the rear grill fits securely against the motor housing.

STEP 2. Fasten the rear grill in place using the rear grill mounting nut. Turn the nut clockwise and tighten firmly.

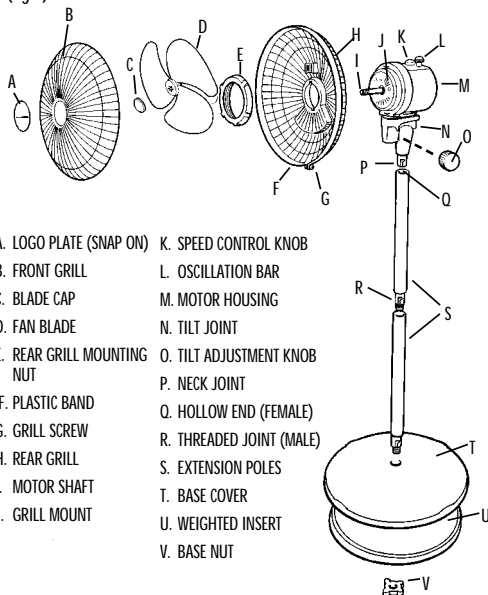
STEP 3. Slide the fan blade, with the hollowed interior of the blade facing towards the rear grill firmly onto the motor shaft. Make sure the motor shaft pin lines up with the recessed groove in the back of the fan blade. Also, be sure the shaft protrudes from the front of the blade.

STEP 4. Secure fan blade onto the motor shaft by turning the blade cap counter-clockwise (make sure the blade is firmly in position.)

STEP 5. Install the front grill by snapping the circular front grill center logo plate in place.

STEP 6. Center the front grill, aligning the Holmes logo so it is horizontal and parallel to the floor, place onto the rear grill, and snap in place. Secure by tightening the grill screw at the bottom of the rear grill.

(fig 3)



Final Assembly: Insert the fan head neck joint (see figure #3) into the hollow end of the top pole and slowly turn the neck joint to lock in place. Be careful to align the cutaway/grooves on the neck joint with the two protruding raised pieces inside the hollow end of the pole. Lastly, insert the tilt adjustment knob into the neck joint and tighten until it is securely in place.

OPERATING INSTRUCTIONS:

- Step 1. Set fan base on a dry, level surface.
- Step 2. Plug cord into any standard 120 volt AC outlet. Please make sure the Speed Control Knob is in the Off position. This knob is located on the top of the Fan Motor Housing.
- Step 3. The speed is adjusted by turning the control knob to the desired setting, Off-High-Med-Low.
- Step 4. The Oscillation Control Bar is located on the top of the Fan Motor Housing. To Start Oscillation, Push Bar Down. To Stop Oscillation, Pull Bar Up.

Special Note: This fan can be used in a "straight-up" (Total-Flex) position, as a whole room air circulator (See Adjustment Instructions).

ADJUSTMENT INSTRUCTIONS:

Height Adjustment:

This fan is equipped with two poles which allow you to adjust the height of the fan for three height settings.

- Small Pole Only 30"
- Larger Pole Only 35"
- Both Poles for 50"

Fan Head Tilt Adjustment:

This fan is equipped with a multi-angle fan head which includes Total-Flex™ for Whole-Room air circulation. Follow the steps below to properly adjust the Tilt angle of your fan. Note: The Oscillation feature may be used in all positions, including Total Flex.

- Step 1. To change the tilting angle of the fan head, simply loosen the Tilt Adjustment Knob (see figure # 3)
- Step 2. Move the fan head to the desired angle, and firmly tighten the knob to lock in place.
- Step 3. This fan can be tilted to a straight-up position, offering Total-Flex™ Oscillation.

Note: Whenever tilting the fan head, be sure to securely tighten in place.

CLEANING/MAINTENANCE INSTRUCTIONS:

Follow these instructions to correctly and safely care for your Holmes Products stand fan. Please remember:

- Always unplug the fan before cleaning or disassembling.
- Do not allow water to drip or enter the fan housing.
- Be sure to use a soft cloth moistened with mild soap solution.
- Do not use any of the following as a cleaner: gasoline, thinner, benzine.

Fan Blade Cleaning:

(See instructions for fan head assembly on page 2, figure #3)

- STEP 1: To access the fan blade, remove the front grill and blade cap.
- STEP 2: Clean the fan blade, front and rear grills with a soft, moist cloth.
- STEP 3: Replace blade, tighten blade cap, and securely fasten the front grill.

Fan Head, Base, and Pole Cleaning:

Using a soft, moist cloth, with or without a mild, soap solution, carefully clean the fan base, pole, and head. Please use caution around the motor housing area. Do not allow the motor or other electrical components to be exposed to water.

FAN STORAGE:

Your fan can be stored in the off-season either partially disassembled or assembled. It is important to keep it in a safe, dry location.

- If stored disassembled, we recommend using the original (or appropriately sized) box.
- If stored assembled or partially assembled, remember to protect the fan head from dust.

The exclusive Holmes Products FanBonnet is available to protect your fan. (See attached mail order form for special offer or call 1-800-5-HOLMES)

FAN SERVICE INSTRUCTIONS:

1. Do NOT attempt to repair or adjust any electrical or mechanical functions on this unit. Doing so will void the warranty.
2. If you have any questions regarding this unit's operation or believe any repair is necessary, please call 1-800-5 HOLMES to speak with a Customer Service Representative.
3. If you need to exchange the unit, please return it in its original carton, with a sales receipt, to the store where you purchased it. If you are returning the unit more than 30 days after the date of purchase, please see the enclosed warranty.
4. If you have any other questions or comments, feel free to write us at:

The Holmes Group

P.O. Box 769

Milford, MA 01757-0769

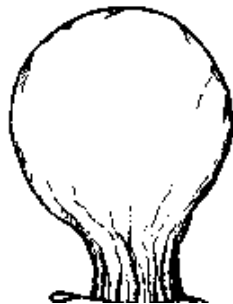
DETACH FROM INSTRUCTIONS AND MAIL IN THIS FORM

EXTEND THE LIFE OF YOUR FAN

For short term or seasonal
storage of your Holmes fan

**FAN
BONNET
\$9.99**

**PLUS SHIPPING
AND HANDLING**



Fill out form on reverse side or call
1-800-5-HOLMES
to place your order today.

For your own records, staple or attach your sales receipt to this manual. Also, please take a moment to write the store name/location and date purchased below.

STORE NAME _____
 LOCATION: _____
 DATE PURCHASED: _____

(STAPLE RECEIPT HERE)

FIVE (5) Year Limited Warranty

SAVE THIS WARRANTY INFORMATION

- A. The quality controls used in the manufacture of this Holmes product are to ensure your satisfaction.
- B. The Warranty Registration Card enclosed with this product must be completed and returned within 10 days of purchase for your Warranty to be effective. This Warranty applies only to the original purchaser of this product.
- C. This Warranty applies ONLY to repair or replacement of any supplied or manufactured parts of this product that, upon inspection by Holmes authorized personnel, proves to have failed in normal use due to defects in material or workmanship. Holmes will determine whether to repair or replace the unit. This Warranty does not apply to installation expenses.
- D. Operating this unit under conditions other than those recommended or at voltages other than the voltage indicated on the unit, or attempting to service or modify the unit, will render this WARRANTY VOID.
- E. Unless otherwise proscribed by law, Holmes shall not be liable for any personal injury, property or any incidental or consequential damages of any kind (including water damage) resulting from malfunctions, defects, misuse, improper installation or alteration of this product.
- F. All parts of this Holmes product are guaranteed for a period of 5 years as follows:
 1. Within the first 30 days from date of purchase, the store from which you purchased your Holmes product should replace this product if it is defective in material or workmanship (provided the store has in-stock replacement.)
 2. Within the first sixty months from date of purchase, subject to the conditions in paragraph H, Holmes will repair or replace the product if it is defective in material or workmanship providing it is returned to Holmes, freight prepaid, with PROOF OF PURCHASE date, together with \$10.00 for return shipping and handling charges.
- G. If you have any problem with this product, please write our Customer Service Dept., or call, 1-800-5-HOLMES.
- H. IMPORTANT RETURN INSTRUCTIONS Your warranty depends on your following these instructions if you are returning the unit more than 30 days after the date of purchase:
 1. Carefully pack the item in its original carton or other suitable box to avoid damage in shipping.
 2. Before packing your unit for return; be sure to enclose:
 - a) your name, full address with zip code and telephone number,
 - b) a dated sales receipt or PROOF OF PURCHASE,
 - c) your \$12.50 check for return shipping and handling, and
 - d) the model number of the unit and the problem you are having. (Enclose in an envelope and tape directly to the unit before the box is sealed.)
 3. Holmes recommends you ship the package U.P.S. ground service for tracking purposes.
 4. All shipping charges must be prepaid by you (as noted in paragraph F).

DETACH FROM INSTRUCTIONS AND MAIL IN THIS FORM

PLEASE USE THIS FORM TO ORDER-BY-MAIL.
 A photocopy of this form will not be accepted

ITEM #	DESCRIPTION	QUANTITY	PRICE	SUB TOTAL
LDB	FanBonnet for HASF1522RCI		\$10.99ea	
Mass residents add appropriate sales tax				
Postage and Handling				\$5.00
TOTAL				

Method of Payment: Check/Money Order MC Visa

Account # _____

Exp. Date _____

Signature _____

SHIP TO: (PLEASE PRINT)

NAME _____

STREET _____

CITY _____ STATE _____ ZIP _____

To order, please send your (U.S. Bank) check or money order, and this completed form to: **THE HOLMES GROUP, P.O. Box 769, Milford, MA 01757-0769**

5. Ship to: THE HOLMES GROUP, CUSTOMER SERVICE DEPARTMENT,
 233 FORTUNE BLVD., MILFORD MA 01757
 SHIPPING AND HANDLING CHARGES: \$10.00

This warranty gives you specific legal rights, and you may have other rights which vary from state to state. The provisions of this warranty are in addition to, and not a modification of, or subtraction from, the statutory warranties and other rights and remedies contained in any applicable legislation. To the extent that any provision of this warranty is inconsistent with any applicable law, such provision shall be deemed voided or amended, as necessary, to comply with such law.

HASF1522RCI00UM1

Printed in China