

WARRANTY INFORMATION

3 YEAR LIMITED WARRANTY

Sunbeam Products, Inc. doing business as Jarden Consumer Solutions or if in Canada, Sunbeam Corporation (Canada) Limited doing business as Jarden Consumer Solutions (collectively "JCS") warrants that for a period of three years from the date of purchase, this product will be free from defects in material and workmanship. JCS, at its option, will repair or replace this product or any component of the product found to be defective during the warranty period. Replacement will be made with a new or remanufactured product or component. If the product is no longer available, replacement may be made with a similar product of equal or greater value. This is your exclusive warranty. Do NOT attempt to repair or adjust any electrical or mechanical functions on this product. Doing so will void this warranty.

This warranty is valid for the original retail purchaser from the date of initial retail purchase and is not transferable. Keep the original sales receipt. Proof of purchase is required to obtain warranty performance. JCS dealers, service centers, or retail stores selling JCS products do not have the right to alter, modify or any way change the terms and conditions of this warranty.

This warranty does not cover normal wear of parts or damage resulting from any of the following: negligent use or misuse of the product, use on improper voltage or current, use contrary to the operating instructions, disassembly, repair or alteration by anyone other than JCS or an authorized JCS service center. Further, the warranty does not cover: Acts of God, such as fire, flood, hurricanes and tornadoes.

What are the limits on JCS's Liability?

JCS shall not be liable for any incidental or consequential damages caused by the breach of any express, implied or statutory warranty or condition.

Except to the extent prohibited by applicable law, any implied warranty or condition of merchantability or fitness for a particular purpose is limited in duration to the duration of the above warranty.

JCS disclaims all other warranties, conditions or representations, express, implied, statutory or otherwise.

JCS shall not be liable for any damages of any kind resulting from the purchase, use or misuse of, or inability to use the product including incidental, special, consequential or similar damages or loss of profits, or for any breach of contract, fundamental or otherwise, or for any claim brought against purchaser by any other party.

Some provinces, states or jurisdictions do not allow the exclusion or limitation of incidental or consequential damages or limitations on how long an implied warranty lasts, so the above limitations or exclusion may not apply to you.

This warranty gives you specific legal rights, and you may also have other rights that vary from province to province, state to state or jurisdiction to jurisdiction.

How to Obtain Warranty Service

In the U.S.A.

If you have any questions regarding your product, this warranty, or would like to obtain warranty service, please visit our website at www.holmesproducts.com or call 1-800-546-5637 and a convenient service center address will be provided to you.

In Canada

If you have any questions regarding your product, this warranty, or would like to obtain warranty service, please visit our website at www.holmesproducts.com or call 1-800-546-5637 and a convenient service center address will be provided to you.

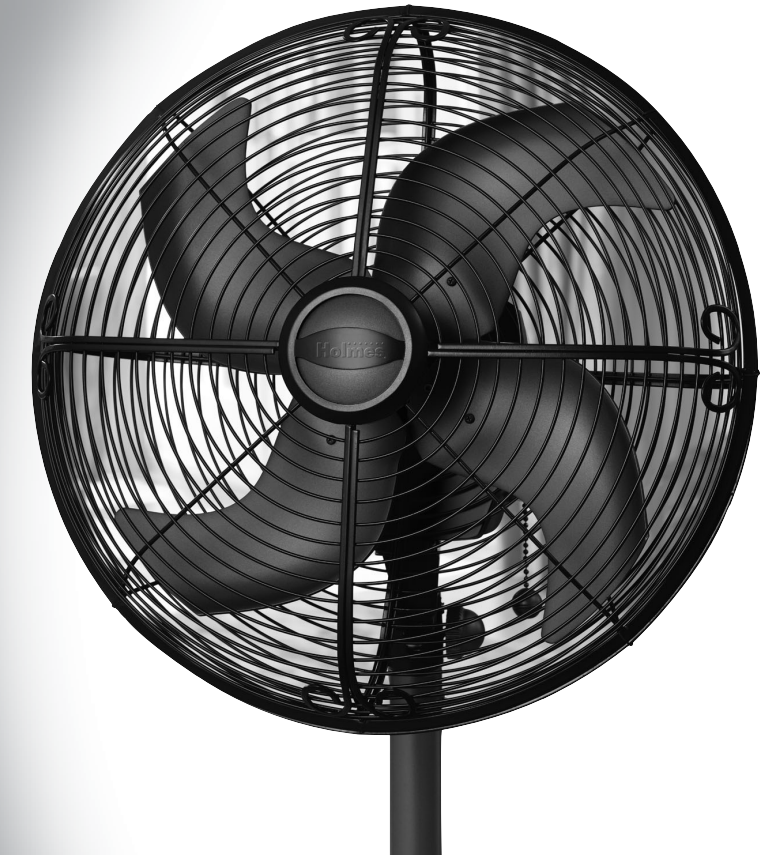
WARRANTY INFORMATION

In the U.S.A., this warranty is offered by Sunbeam Products, Inc. doing business as Jarden Consumer Solutions located in Boca Raton, Florida 33431. In Canada, this warranty is offered by Sunbeam Corporation (Canada) Limited doing business as Jarden Consumer Solutions, located at 20B Hereford Street, Brampton, Ontario L6Y 0M1. If you have any other problem or claim in connection with this product, please write our Consumer Service Department. **PLEASE DO NOT RETURN THIS PRODUCT TO ANY OF THESE ADDRESSES OR TO THE PLACE OF PURCHASE.**

Holmes®

Owner's Guide

HASF1406



Ornamental Stand Fan

PLEASE READ AND SAVE THESE IMPORTANT INSTRUCTIONS

© 2007 Sunbeam Products, Inc. doing business as Jarden Consumer Solutions. All Rights Reserved.
Distributed by Sunbeam Products, Inc. doing business as Jarden Consumer Solutions, Boca Raton, Florida 33431.

9100010009670

HASF140607EM1

Printed In China

PLEASE READ AND SAVE THESE IMPORTANT SAFETY INSTRUCTIONS

When using electrical appliances, basic safety precautions should always be taken including the following:

1. Read all instructions before using this appliance.
2. Use fan only for purposes described in the instruction manual.
3. To protect against electrical shock do not immerse unit, plug or cord in water or spray with liquids and plug the appliance directly into a 120V AC electrical outlet.
4. Close supervision is necessary when any appliance is used by or near children.
5. Unplug from outlet when not in use, when moving fan from one location to another, before putting on or taking off parts and before cleaning.
6. Avoid contact with moving parts.
7. Do not operate in the presence of explosive and/or flammable fumes.
8. To avoid fire hazard, NEVER place the cord under rugs or any parts near an open flame, cooking or other heating appliance.
9. Do not operate any appliance with a damaged cord or plug after the appliance malfunctions, or has been dropped/damaged in any manner.
10. The use of attachments not recommended or sold by the appliance manufacturer may cause hazards.
11. Do not let the cord hang over the edge of a table, counter or come in contact with hot surfaces or leave exposed to high traffic areas.
12. Do not use outdoors.
13. To disconnect, grip plug and pull from wall outlet. Never yank on cord.
14. Always use on a dry, level surface.
15. Do not operate fan until fully assembled with all parts properly in place.
16. This product is intended for household use ONLY and not for commercial or industrial applications.

17. **WARNING:** To reduce the risk of electrical shock and injury to persons, do not use in window.
18. **WARNING:** To reduce the risk of fire or electric shock, DO NOT use this fan with any solid-state speed control device.

PLEASE READ AND SAVE THESE IMPORTANT SAFETY INSTRUCTIONS

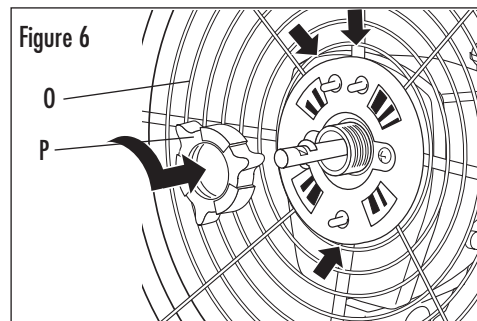
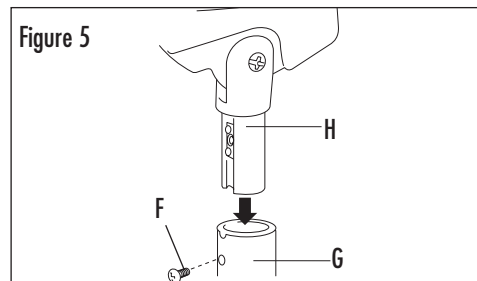
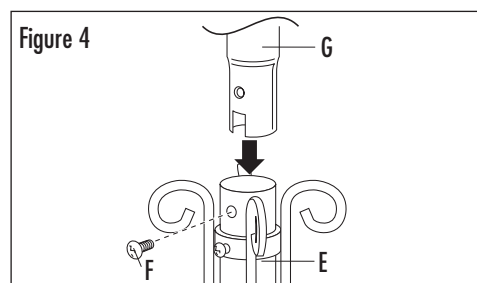
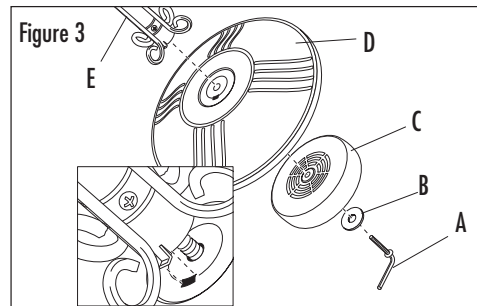
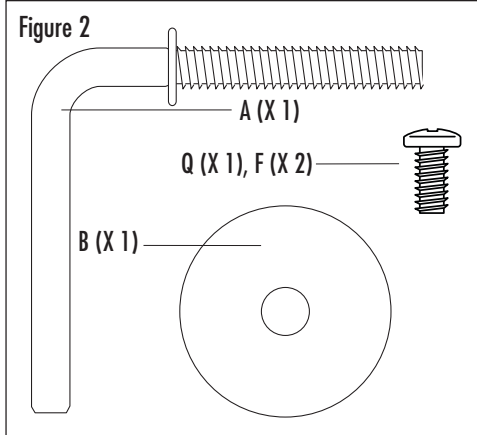
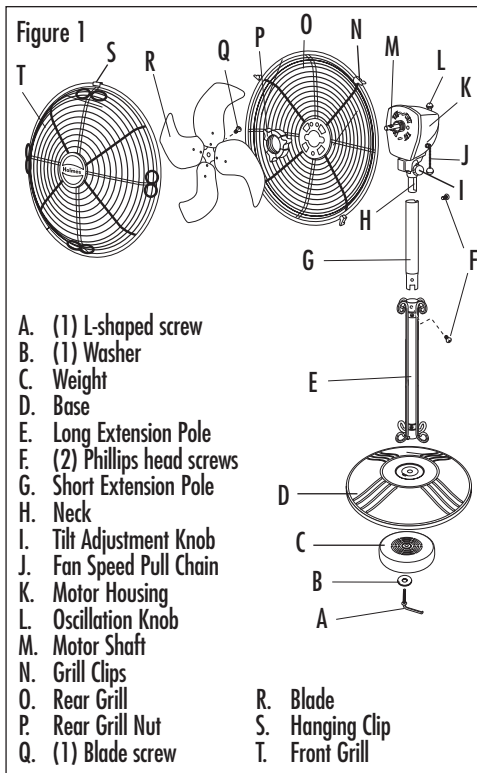
ASSEMBLY INSTRUCTIONS

Tools required: One Phillips head screw driver

Assembly time: 10-15 minutes

1. Secure the Base Weight (C), Base (D), and Long Extension Pole (E) together using the L-shaped screw (A) and Washer (B). Refer to Figure 3 for the correct alignment of the Long Extension Pole to the Base.
2. Align the holes of the Long Extension Pole (E) and Short Extension Pole (G) together and secure with Phillips head screw (F) and tighten with screw driver. Refer to Figure 4.
3. Align the holes of the neck of the Short Extension Pole and the Neck (H) together and secure with the Phillips head screw (F) and tighten with screw driver. Refer to Figure 5.
4. Secure the Rear Grill (O) to the Motor Housing (K) by tightening the Rear Grill Nut (P). Refer to Figure 6 for correct positioning of the Rear Grill to the Motor Housing.
5. Secure the Fan Blade (R) to the Motor Shaft (M) by tightening the Blade Screw (Q) with a screw driver. Refer to Figure 7 for the correct alignment of the Fan Blade to the Blade Shaft.

FEATURES - OPERATIONS



FEATURES - OPERATIONS CLEANING/MAINTENANCE

6. Secure the Front Grill (T) to the Rear Grill of the fan by positioning the hanging clip of the Front Grill over the Rear Grill. Close the remaining four Grill Clips (N) of the Front Grill over the Rear Grill. Refer to Figure 8.

ADJUSTMENT INSTRUCTIONS

Fan Head Tilt Adjustment

Loosen Tilt-Adjustment Knob (I), move fan head to desired angle, and tighten Tilt Adjustment Knob to lock in place.

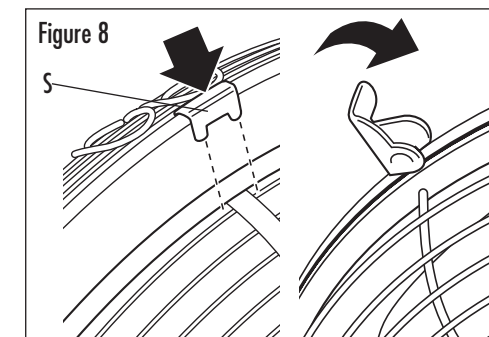
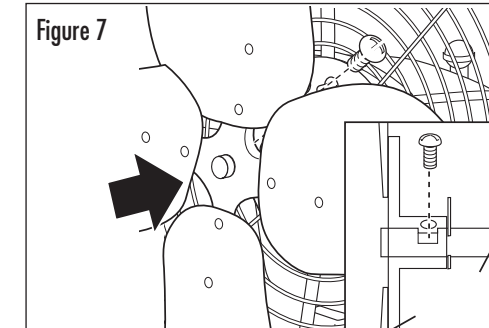
OPERATING INSTRUCTIONS

Fan Speed Pull Chain (J)

- 1st = High (III)
- 2nd = Medium (II)
- 3rd = Low (I)
- 4th = Off (O)

Oscillation Knob (L) ()

Push, Pull = Oscillation On, Off



CLEANING/MAINTENANCE INSTRUCTIONS

Follow these instructions to correctly and safely care for your fan.

- Always unplug the fan before cleaning or disassembling.
- Be sure to clean your fan with a soft cloth moistened with a mild soap solution.
- Do not allow water to drip on or enter into the fan motor housing.
- Do not use gasoline, thinner, or benzene as a cleaner.
- Lightly run a vacuum cleaner nozzle over the fan grill to remove any dust or dirt that may have accumulated.

FAN BLADE CLEANING

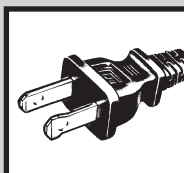
Make sure the fan is unplugged before disassembling and cleaning the fan blade. Unclip and remove the front grill. Wipe the blade with a soft cloth moistened with a mild soap solution. DO NOT allow any liquid to drip into or enter the Motor Housing. Re-clip the front grill onto the fan. Make sure all parts are secured prior to operating the fan.

FAN STORAGE INSTRUCTIONS

Your fan should be stored in the off-season in its original box. It is important to keep it in a safe, dry location.

- We recommend using the original (or appropriately sized) box.
- Please remember to protect the fan from dust or moisture.

If you have any questions regarding your product or would like to learn more about other Holmes® products, please contact our Consumer Service Department at 1-800-546-5637 or visit our website at www.holmesproducts.com



THIS APPLIANCE HAS A POLARIZED PLUG (one blade is wider than the other). To reduce the risk of electric shock, this plug is intended to fit in a polarized outlet only one way. If the plug does not fit fully in the outlet, reverse the plug. If it still does not fit, contact a qualified electrician to install the proper outlet.

DO NOT ATTEMPT TO MODIFY THIS PLUG OR DEFEAT THIS SAFETY FEATURE IN ANY WAY.