

Pablo®

PIXO

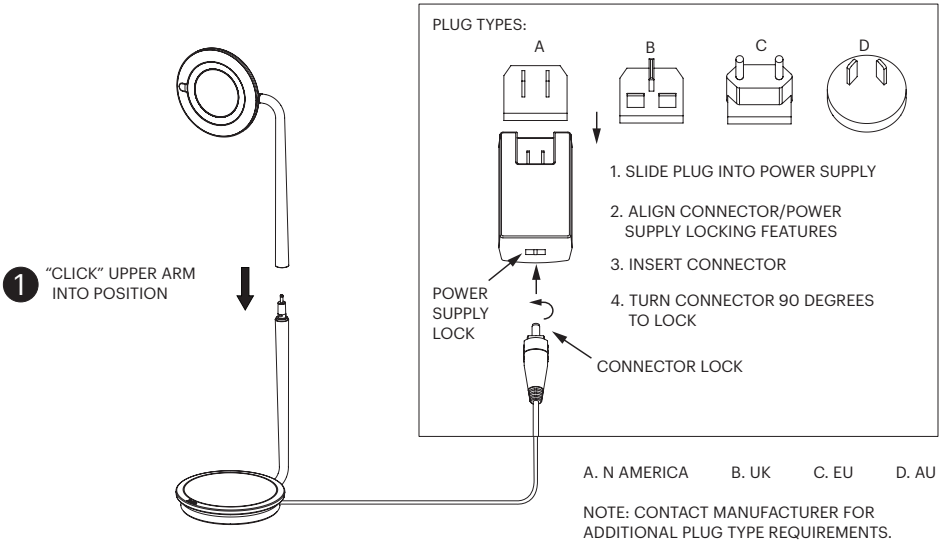
ASSEMBLY & INSTALLATION INSTRUCTIONS



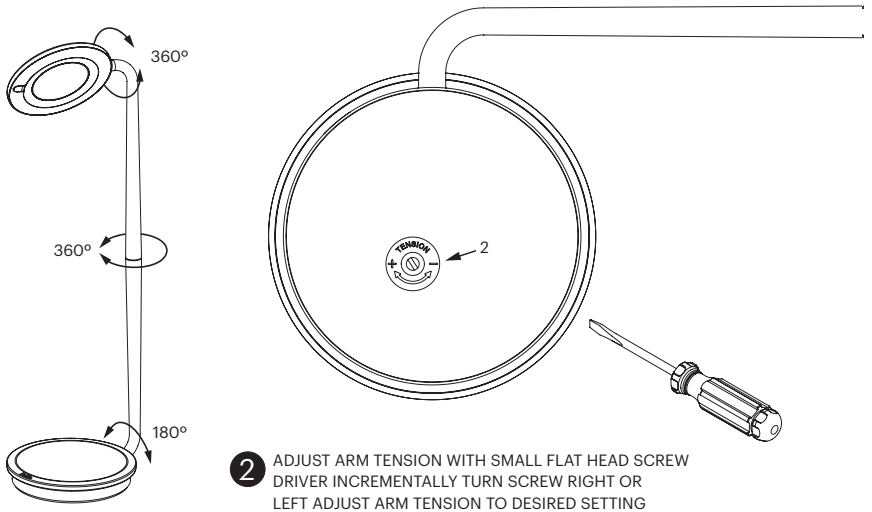
Pablo®

PIXO

ASSEMBLY



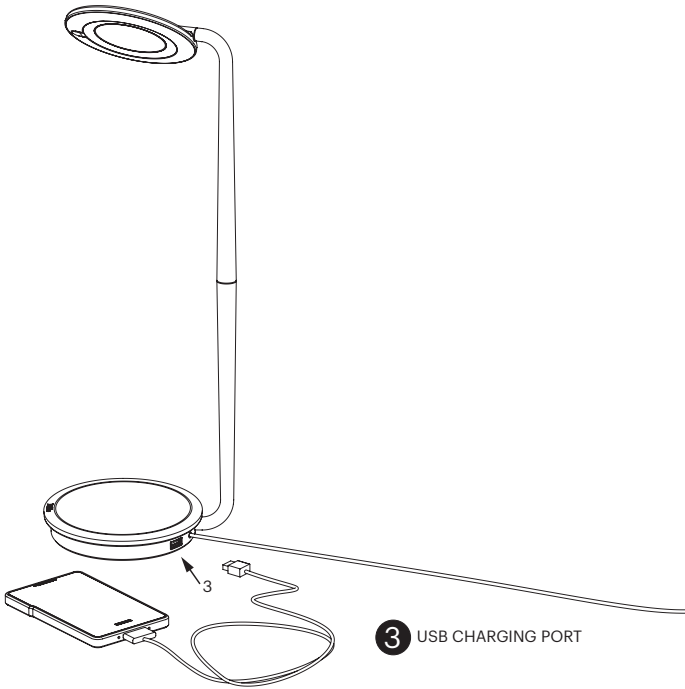
ADJUSTMENT



Pablo®

PIXO

PIXO USB CHARGING



HIGHLIGHTS

SINGLE 5.0V USB OUTPUT SUPPORTS CHARGING FOR SMARTPHONES AND OTHER SIMILAR MOBILE DEVICES.

SPECIFICATIONS

USB 2.0 OR 1.1 STANDARD CORD REQUIRED
OUTPUT VOLTAGE: 5VDC + - 5%
OUTPUT CURRENT: 1A MAX

NOTE

PIXO WILL CONTINUE TO CHARGE YOUR MOBILE DEVICE EVEN WHEN LAMP IS IN THE "OFF" POSITION.

PLEASE REFER TO YOUR MOBILE DEVICE'S USER MANUAL FOR COMPATIBILITY AND CHARGING TIME. PLEASE REFRAIN FROM LEAVING YOUR DEVICE PLUGGED IN FOR LONGER THAN THE RECOMMENDED TIME, OTHERWISE IT MAY RESULT IN OVER CHARGING.

PRESS AND HOLD SWITCH FOR 2.5 SECONDS TO TURN OFF. PRESS BRIEFLY TO CYCLE THROUGH THREE STAGES.

CARE INSTRUCTIONS

WIPE CLEAN WITH A SOFT DAMP CLOTH. AVOID AMMONIA-BASED CLEANERS.

Pablo®

PIXO

INFO@PABLODESIGNS.COM
888 MARIN STREET
SAN FRANCISCO, CA
94124

PABLODESIGNS.COM