



Dear Customer,

Congratulations on your purchase of this versatile and need oriented suction unit. It will serve you well for years, if properly looked after. The medical professions have long felt the need for a lightweight, easy-to-move, safe, dependable and easy-to-regulate suction unit for labour room. EURODEL fills this healthcare need to a degree unmatched by any other unit. It is designed for use in hospitals, nursing homes and labour rooms. Non corrosive and shockproof enclosure is pressure moulded in engineering plastic ABS giving smooth and easy-to-clean surface.

ASSEMBLY

The pump is housed in the enclosure. Small tube with push in nozzle (also filter) is inserted in the slot on the jar lid; the other end being connected to the nozzle on the panel. The second nozzle on the lid is for the tubing to the patient. The release valve for adjusting the negative pressure and the vacuum gauge are on the panel. An on/off switch cum pilot lamp, fuse and the removable main lead connector are on the side.

Before the unit is put on please see that :

1. 'O' rings on push-in connector are not worn out.
2. Jars are checked for possible crack or flawed spots. Any defect can result in implosion under vacuum.

3. Check the bacterial filter, and change the filter element if necessary. The housing must be flip tightened.
4. The lid and tube are tightly placed on the jar. To avoid leakage the push-in and angular connectors must be inserted as far as the stop. While unplugging, twist and pull.
5. The main power supply is well earthed. In case of fluctuation, use voltage stabilizer/corrector.
6. The vacuum control knob is not loose. It must be fully tightened clockwise.



TECHNICAL

Housing: Engineering moulded ABS plastic cabinet with built-in handle

Capacity: 0-575 mm Hg \pm 10 at 15 ltr/min. Fine regulation valve for necessary adjustment with break mechanism under thumb in ventouse cup. Hi/Low switch provides full or half vacuum with one flick

Pump type: Oil-free piston pump

Jar: 1 ltr PC

Vacuum Gauge: Bourden type 5 cms. 0-700mm Hg calibration

Filter: Bacterial filter

Power: 220V, 50 Hz, Single phase. (110V on request)

Ventouse cup: Silicone, 50mm, 60mm and 70mm, minimizes risk of trauma and cephalohematoma of fetal cranium

Dimension & Weight: 33 x 14 x 29 cms. 6 kg.

VACUUM AT ALTITUDES

The specified maximum vacuum refers to sea level. According to local conditions, and barometric pressure, slight deviations in vacuum reading may be noted. As a reference, the table below shows several factors, by which the indicated maximum vacuum value must be multiplied, according to the altitude of location where the measurement is carried out.

Location/Maximum Vacuum

Location	Sea level	1000m	2000m	4000m
Factor	1.00	0.88	0.78	0.60

GUIDELINES FOR USE

Negative Pressure: Before the unit is put to use, required vacuum must be set by occluding the safety jar nozzle and controlling the releasing valve. Fully tightened (clockwise) vacuum control knob means full vacuum.

Jars/Tubings: The material of the jars polycarbonate (pc) is superior to glass. It is less fragile when subjected to impact and less sensitive to temperature shock. PC is resistant up to 12°C provided it is not subjected to any physical loading.

As the flow rate is high 3/4 filling of the jar is recommended. The lid has a built-in antifoaming device. The jar is easier to clean if a little water or disinfectant is put into it prior to suction operation. The safety jar must, however, remain dry. Tubing after repeated use can be brittle and must be changed.



Cleaning and Disinfecting: After each use, jars, lids, overflow cut off valve, catheters, etc. should be cleaned thoroughly. When cleaning is necessary after infective fluid has been evacuated, the jars, lids, cut off valve and tubing can be sterilized by autoclaving upto 120° C for 20 minutes. Alkaline cleaning agents and disinfectants based on phenyl may not be used.

Adherence to hospital directives on hygiene is of prime importance. The instructions provided by the suppliers of cleaning agents as well as by the manufactures of sterilization and/or disinfection units must also be followed, where application, temperature, process duration and airing, etc. are concerned.

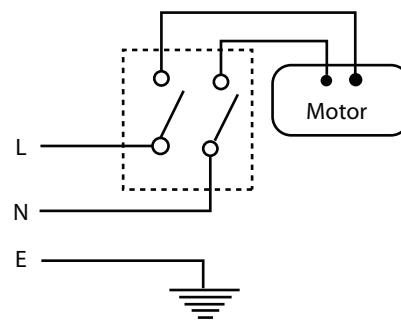
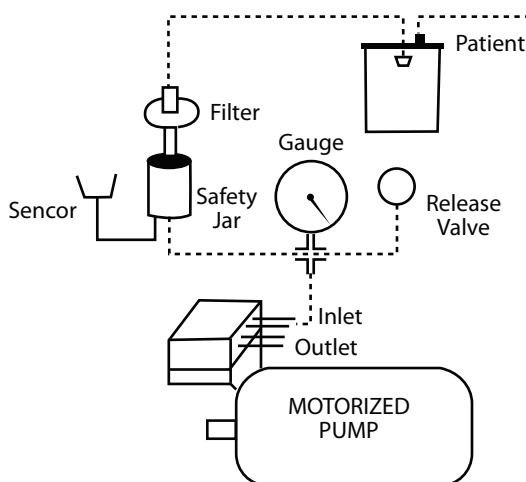
PUMP

The unit is fitted with Piston type oil-free pump, provides reduced maintenance cost.

- a) Open the unit with the aid of an allen key provided and disconnect the tube from the inlet point on the pump housing.
- b) Take out the motorized pump fitted on (and together with) the platform.
- c) The fly valves sheet is placed in the top the four screws of which can be opened-one for vacuum and the other for outlet. The piston is fitted below the top and over the eccentrically rotated came. Just wipe clean these parts and set the unit again.
- d) There are two openings (small and U type large) in both the top portions. While fitting see that large U of the one face towards the small round of the other and small of the first face the large of the screws can be put back and tightened in their positions.
- e) Please run the unit and see its satisfactory functioning before housing is screwed up.



Unlike the rotary design, NO LUBRICATION IS REQUIRED IN THIS PUMP. The unit has not to be tampered with by any mechanic other than our factory engineer, or the person authorized.



TROUBLE SHOOTING:

Problem	Possible source of trouble	Check/Action to be taken
Motor does Not Run	Power Supply	Voltage, power socket
	Main switch	Set at "ON"
	Electrical cord	Plug type, plug connections, damaged cord
	The blood has entered the pump. The remedy is given above under pump cleaning	
Inadequate Suction Performance	Leak within the pump or in the external suction circuit	Isolate the source of trouble by carrying out the checks outlined.
	External cause: Push-in connector O-rings/Lid gasket	Condition
	Push-in and angular connectors	No Leaks at tube ends. Push in as far as stop.
	Release Valve	The Knob should be tightly placed
	Tubing	Cracks, brittle areas
	Lid	Airtight fit jars
	Jar	Condition/Possible cracked edges/hairline cracks
	Bacteria filter housing	Condition/absence of leaks
	Filter paper	Condition/position of housing
Vacuum gauge indicates a vacuum Pump does not suck, however	Blockage or kink in tubing within the pump or in the external suction circuit	Isolate source of trouble as follows: Remove the safety jar from the pump, leave the suction connection open. If the vacuum gauge now indicates zero vacuum, the cause is external
	External cause: Bacteria filter, safety jar, overflow valve in the lid, (float valve) push-in connectors, tubing etc.	Investigate the whole external suction circuit for blockage (s), float valve sticking, kinked tubing and rectify. If the vacuum gauge still indicates a vacuum, the cause is internal

TERMS OF WARRANTY

Anand Medicaids Private Limited warranty the high quality and workmanship of each Anand's HI-VAC for a period of one year subsequent to the date of delivery by the company. During this period, faulty material will be replaced free of charge. This warranty does not extend to components that are subject to wear and tear in the course of normal operation or due to improper treatment/maintenance as per instructions.

Further conditions in accordance with international standard IEC 601.1 item 6.8.2b.

The manufacturer is only responsible for effects on the safety, the reliability and the performance of the appliance if

- Installation, additions, adjustments, modifications or repairs are carried out by personnel authorized by the manufacturer
- The electrical installations within the room concerned satisfy the requirements laid down by IEC.
- The appliance is used in full accordance with the instruction manual which is solely a guide and no substitute for professional training. The safe and effective use of this product largely depends on the skill of the operator. We are not liable for any damages due to mishandling or improper and unauthorised use.
- The company reserve the right to change technical specifications, designations and catalogue numbers without prior notice.

Note

Ensure that your electrical wirings are well earthed with 1 line and 1 neutral phase and your voltage is between 220V 240V. 50 Hz.

Ensure that the suction unit should not be lifted above human body level.

Dispose of used product/packaging in safe manner so as not to harm stray cattle, children and environment.

WARRANTY CARD

Model No. -----

SN -----

Date of Purchase: -----

Dealer Name: -----

Stamp :



ANAND MEDICAIDS PRIVATE LIMITED

(Regd. Office) 33/16, Punjabi Bagh (Extn.)
New Delhi - 110026 [India]
Tel : +(91)-(11)-25225225/25229206/42464264
Fax : +(91)-(11)-25225062, E mail: sales@anandind.com

(Works) 1460 M.I.E., Bahadurgarh, Haryana -124507 [India]

EC REP

KALEIDOS SH. VIA PONTIOA, 4 2012, MILANO, ITALY.