



Pedicure Spa

Use & Care Manual



IT IS IMPORTANT THAT YOU READ AND FOLLOW THESE INSTRUCTIONS.

Please keep this manual in a safe place.

WARRANTY PRE REGISTRATION IS REQUIRED. PLEASE SEE BACK COVER.



IT IS IMPORTANT THAT YOU READ AND FOLLOW THESE INSTRUCTIONS. PLEASE KEEP THIS MANUAL IN A SAFE PLACE



DANGER: Risk of Electric Shock. Connect only to a circuit protected by a ground fault circuit interrupter

GROUNDING IS REQUIRED. The unit should be installed by a qualified service representative and grounded.

Install to permit access for servicing.

CAUTION: Risk of electric shock. Disconnect electric power before servicing.

WARNING: Risk of accidental injury or drowning; children should not use hydro massage bathtub without adult supervision.

WARNING: Risk of accidental injury or drowning; do not use hydro massage bathtub unless all suction guards are installed to prevent body and hair entrapment;

WARNING: To avoid injury, exercise care when entering or exiting the hydro massage bathtub;

WARNING: Risk of accidental injury or drowning; do not use drugs or alcohol before or during the use of a hydro massage bathtub equipped with heater to avoid unconsciousness and possible drowning

WARNING: Risk of fetal injury; pregnant or possibly pregnant women should consult a physician before using a hydro massage bathtub equipped with heater;

WARNING: Risk of hyperthermia and possible drowning; do not use a hydro massage bathtub equipped with heater immediately following a strenuous exercise

WARNING: Risk of electric shock; do not permit electric appliances (such as a hair dryer, lamp, telephone, radio, or television) within 1.5M (5 feet) of this hydro massage bathtub;

CAUTION: Test the ground fault circuit interrupter protecting this appliance periodically in accordance with the manufacturer's instructions

WARNING: Risk of hyperthermia and possible drowning; water temperature in excess of 38° C (100.4° F) may be injurious to your health. Check and adjust water temperature before use.

WARNING: Risk of hyperthermia; people using medications and/or having an adverse medical history should consult a physician before using a hydro massage bathtub equipped with heater.



Congratulations on your purchase of our pedicure spa.

You have made the right choice. Our revolutionary products are designed to meet your needs.

T 4 Spa Concepts & Designs, LLC proudly makes our goal to provide the Pedi-Spa Industry with quality products that surpass the minimum sanitation requirements of your local area state boards. We pride ourselves on our commitment to customer safety and satisfaction.

With proper care, you and your customers can enjoy your T 4 pedicure spa for many years to come.

Before installation and use of your pedicure spa, please read the entire manual thoroughly.

If you encounter any questions or problems in regards to your pedicure spa, please

contact our Technical Support Department at 1-888-502-8307,

Monday through Friday 9 AM to 5 PM CST.

After hours calls are recorded and will be responded to the following business day. You can also contact us via email:

info@T4-Spa.com

Important Requirements

All outlets connected to pedicure spas must include a GFCI device (Ground Fault Circuit Interrupter) This will reduce the risk of electric shock.

It is important that you contact a local, licensed plumber and licensed electrician to install your new pedicure spa. Installation must be in compliance with all your local and state building codes.

Your pedicure spa cannot operate efficiently or safely unless it is provided with adequate electrical power, sufficient water pressure, proper water temperature, and required drainage capabilities.

Contact your local building inspector for information and local code compliance procedures that need to be followed when having your pedicure spa installed.

Subsequent inspections and approvals that may be required are the responsibility of the purchaser.

Table of Contents:

Safety Information	4 - 5
Installation Information	6 - 7
Plumbing Installation	8
HT-135-PS1 Chair Installation	9 - 11
HT-135-PS1 Remote Features	12-13
HT-115-PS Chair Installation	14
SaniSmart™ Jet Instructions	15
Basin Operation	16
Cleaning Instructions	17
Use, Care, & Maintenance	18 - 20
Parts	21 - 25
Warranty Information	26
Specifications	27
Warranty Registration	28

IMPORTANT: Please fill out and return warranty registration on back cover. Registration is required.

(not applicable in some states)

Serial Number: _____

W/O Number: _____

Purchase Date: _____

Safety Information

Before using your new pedicure spa, please read and observe these safety instructions carefully to reduce the possibility of injury, serious bodily harm, death, fire, and/or other property damage. For additional questions, please call our Technical Support Department at: 888-502-8307

WARNING: It is very important that you carefully follow the basin cleaning procedures on page 17 to ensure that the spa is sanitized after each use. T4 is not liable for any infections or disease that may result from improper cleaning or failure to adhere to sanitation requirements.

- This pedicure spa unit should only be operated in a room temperature between 40°F (4°C) and 100°F (38°C).
- Do not use unit outdoors or in excessively humid or dusty environments.
- Do not use unit where aerosol (spray) products are being used or oxygen is being administered.
- Do not operate unit if it has been damaged.
- Always connect this unit to a properly grounded electrical outlet.
- This unit is designed only to operate on a standard 110 Volt 60Hz current. Exceeding this standard may cause injury and/or serious bodily harm and/or damage to property.
- Do not use this unit if noise above normal sound is heard.
- To reduce the risk of burns, fires, and electrical shock, never leave this unit unattended if plugged in and always unplug when not in use for an extended period, before installation, cleaning, or removal of parts.
- Keep the power cord away from heated surfaces.
- Do not operate unit if the power cord or plug has been damaged.
- If this unit is operating abnormally or malfunctioning, immediately turn off the power and disconnect the power cord from the outlet; do not operate unit if it is not working properly.
- In the event of a power failure, always turn the power switch to its OFF position.
- When not in use, always turn the power switch to its OFF position.
- To disconnect unit, turn all controls to OFF position and remove power cord from the outlet.
- Keep all electrical devices away from this unit.
- This unit only has a weight capacity of 300 pounds (136.06 kg).
- Enter and exit the unit slowly and carefully.
- Never drop or insert any object into any opening of the unit.
- Close supervision is necessary when this unit is used by, on, or near children, invalids, and disabled persons.
- Do not stand or allow anyone to stand in the spa basin.
- Please be aware that a spa basin filled with water is a potential drowning hazard.
- Check the water temperature before each use; water temperature should not exceed 105°F (41°C) and water temperature in heater should not exceed 150°F (65°C).
- Disinfect the spa basin and jets, after each use with an approved cleaner.
- Do not massage any area of the body that is swollen, inflamed, or covered with skin eruptions.
- Before operating the massage chair, make sure the chair arms are down.
- If there is severe discomfort during the massage, discontinue use and consult a physician.
- Do not use the massage chair for more than 15 minutes at one time.
- Do not put hands or fingers near massage mechanism or rollers while the chair is operating; touching the mechanism can result in injury from the rollers squeezing together.
- Keep the massage chair and its air openings clean and free of lint, hair, and dust; never operate the massage chair if the air openings are blocked.
- Misuse or failure to properly clean pedicure spa unit may result in serious health issues, bodily injury, and/or death.

Health Risk Warning

Use of the pedicure spa unit should be pleasant and comfortable; if there is any pain or discomfort, stop use of the pedicure spa immediately.

A physician should be consulted before use of the massage chair by anyone with the following conditions: Malignant tumor, heart disease, pregnancy, Conditions requiring rest, and back disease or trouble from an injury or accident.

A physician should be consulted before use of the spa basin and jets, by anyone with diabetes, swelling, fracture, or persistent pain.

Anyone with inflamed legs or feet, open wounds, or fungal infections should not use the spa basin and jets.

Misuse or failure to properly clean pedicure spa unit may result in serious health issues, bodily injury, and/or death.

WARNING - GROUNDING INSTRUCTIONS AND METHODS:

This unit must be grounded. If it should malfunction or break down, grounding provides a path of least resistance for electrical current to reduce the risk of electric shock. All outlets connected to pedicure spas must include a GFCI device (Ground Fault Circuit Interrupter). This will reduce the risk of electric shock.

This unit is for use on a standard 110 Volt 60Hz current.

This unit is equipped with a cord having an equipment grounding conductor and a grounding plug. The plug must be plugged into an appropriate outlet that is properly installed and grounded in accordance with all local codes and ordinances.

If you are in doubt as to whether this unit is properly grounded, check with a qualified electrician or serviceman. Fatal electric shock and fire could occur with improper connection of the equipment-grounding conductor. Do not modify the plug provided with the product for any reason; if it will not fit the outlet, have a proper outlet installed by a qualified electrician.

WARNING: THERMAL RESETTING PROTECTION DEVICE

The massage chair is equipped with a thermal resetting protection device. This is a safety feature to protect it from overheating. If the chair should suddenly stop and will not start, turn the main power switch off, and do not operate the chair for at least 30 minutes. Failure to turn the chair off may result in the chair starting unexpectedly when the device cools.

SAVE THESE INSTRUCTIONS

Installation

Important Installation & Utility Information

Electrical Service:

A 110V, 60 Hz, 15 Amp GFCI protected grounded circuit must be used to supply power to the pedicure spa.

Water Supply:

- Observe and follow all local codes in regards to plumbing connections.
- 30 to 80 PSI water pressure is needed to correctly fill the basin a correct level.
- The hot water supply temperature must not exceed 150° F (65° C); exceeding this temperature may cause damage to your unit and injury. If the temperature is higher than this, then please lower your water heater to the correct and acceptable temperature.
- Carefully connect the incoming water supply lines to the appropriate fittings located on the back of the pedicure spa. For hot and cold water supply fittings (see figure 2) below. For power drain/floor drain fittings location, page 8.
- Shut-off valves are recommended.
- To prevent the water supply contamination, our shower head includes a back flow preventer. (see figure 1)
We also highly recommend you to install a Reduced Pressure Back Flow (RPBP) for each hot & cold water supply line. Please check with your local plumbing code requirements.

You are responsible for your valves, connections, and compliance to local codes.

figure 1

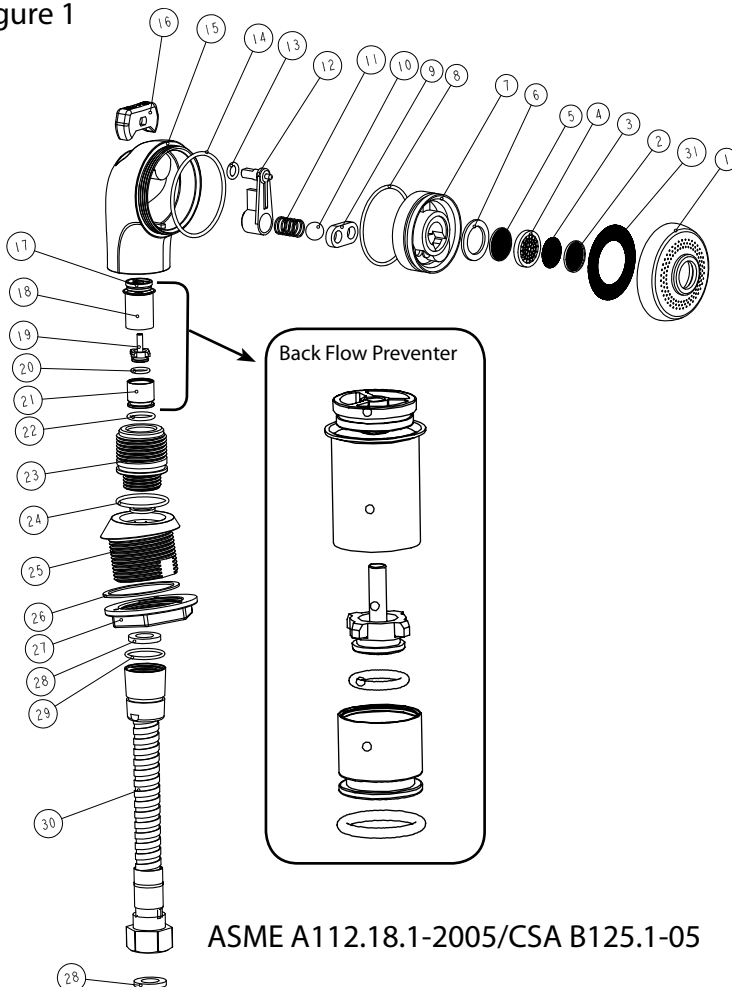
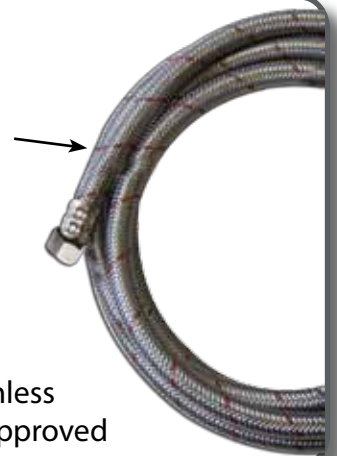


figure 2

Attach hose with red markings to hot water line.



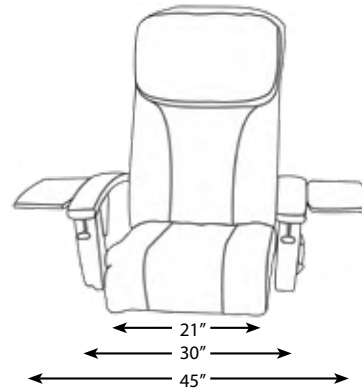
Our Hot & Cold 8' Stainless Steel Hoses are UPC Approved

Location and Support

The pedicure spa must be on a level location. The floor structure of that location must be capable of supporting both the pedicure spa and its occupant at the same time.

To fully recline the pedicure chair, the base of the unit must be positioned to a minimum of 25" from the wall.

Minimum installation dimensions:
Everest SeriesW 34" x L 80"
Other Spas.....W 30" x L 69"



Licensed Installation Required

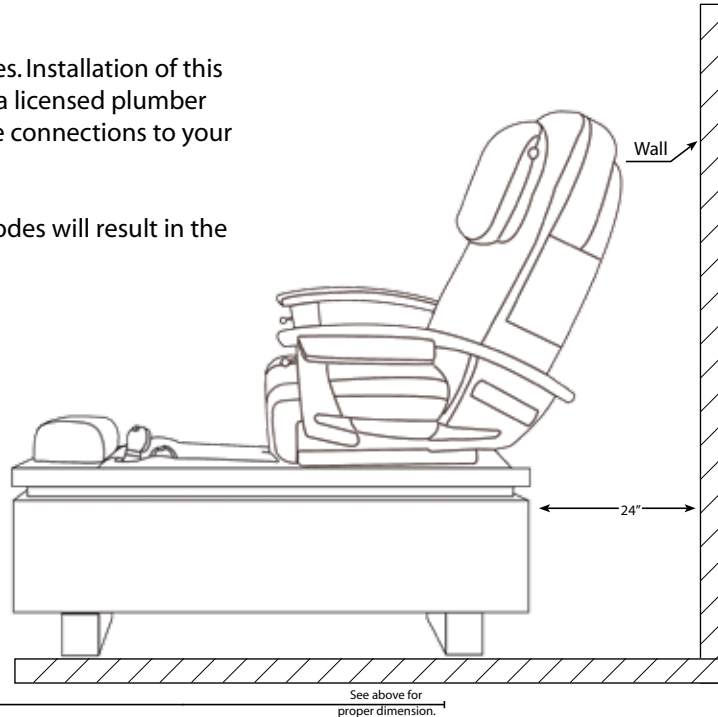
Please check your local plumbing and electrical codes. Installation of this pedicure spa must comply with both. You must hire a licensed plumber and a licensed electrician to complete the applicable connections to your pedicure spa.

NOTE: Failure to comply with federal, state, or local codes will result in the warranty being null and void.

Parts Included:

5 bolts 

1 Allen Wrench 



NOTE!

When moving or lifting pedicure spa, always lift from the bottom of spa. Do not lift by control mixer or chair. Doing so will damage spa.

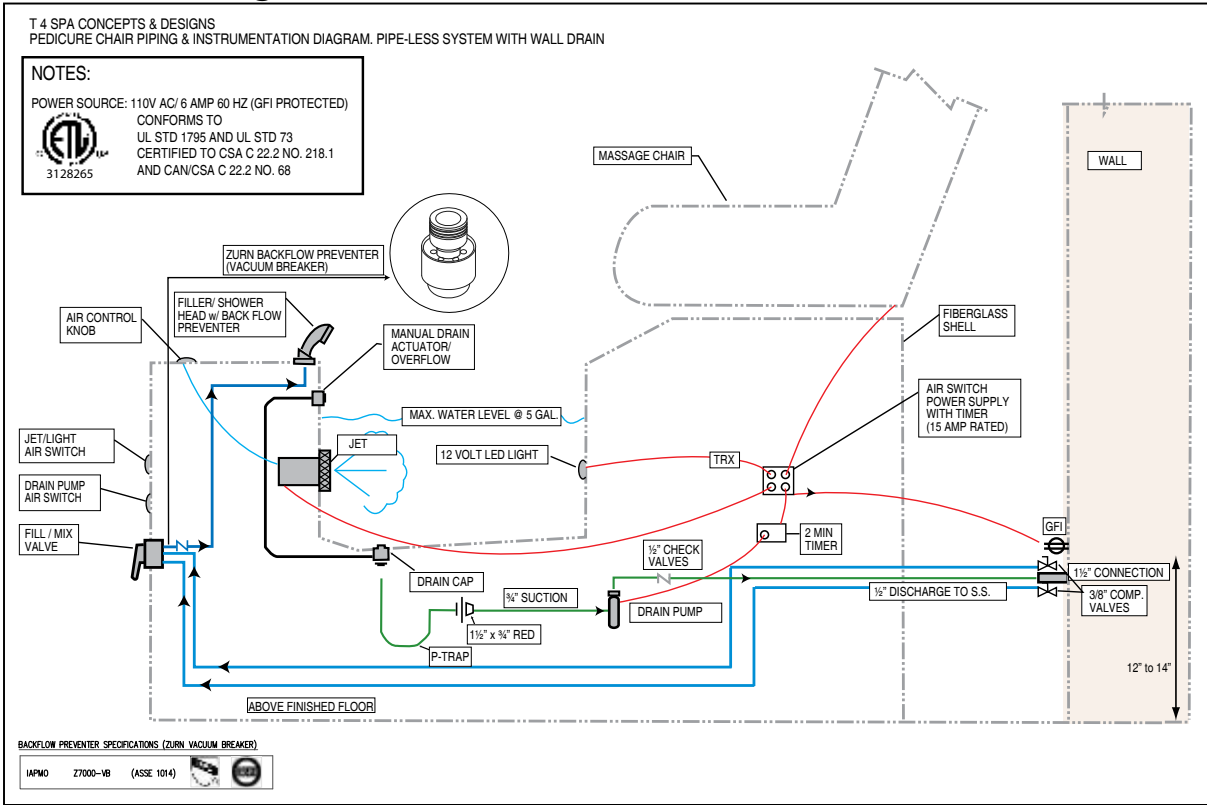
Incorrect Lifting!



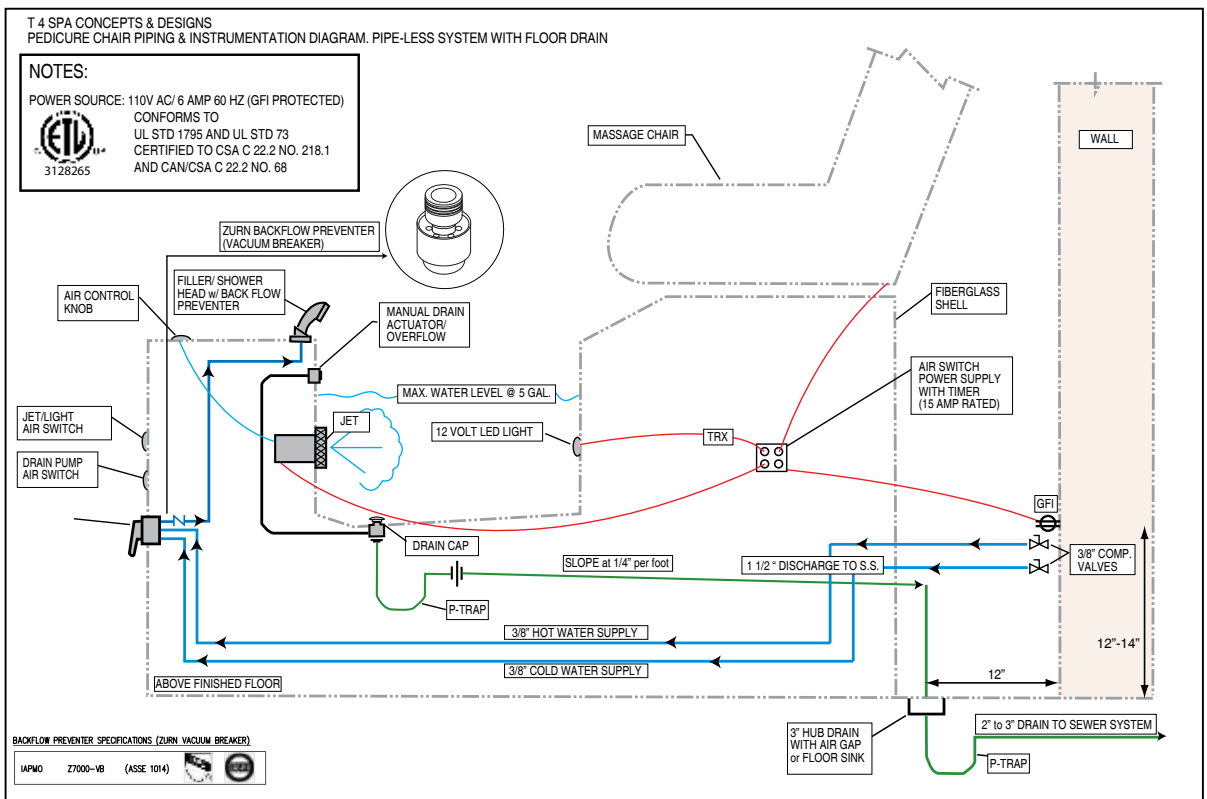
Correct Lifting.

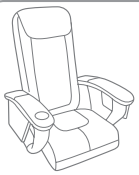


Wall Drain Installation



Floor Drain Installation



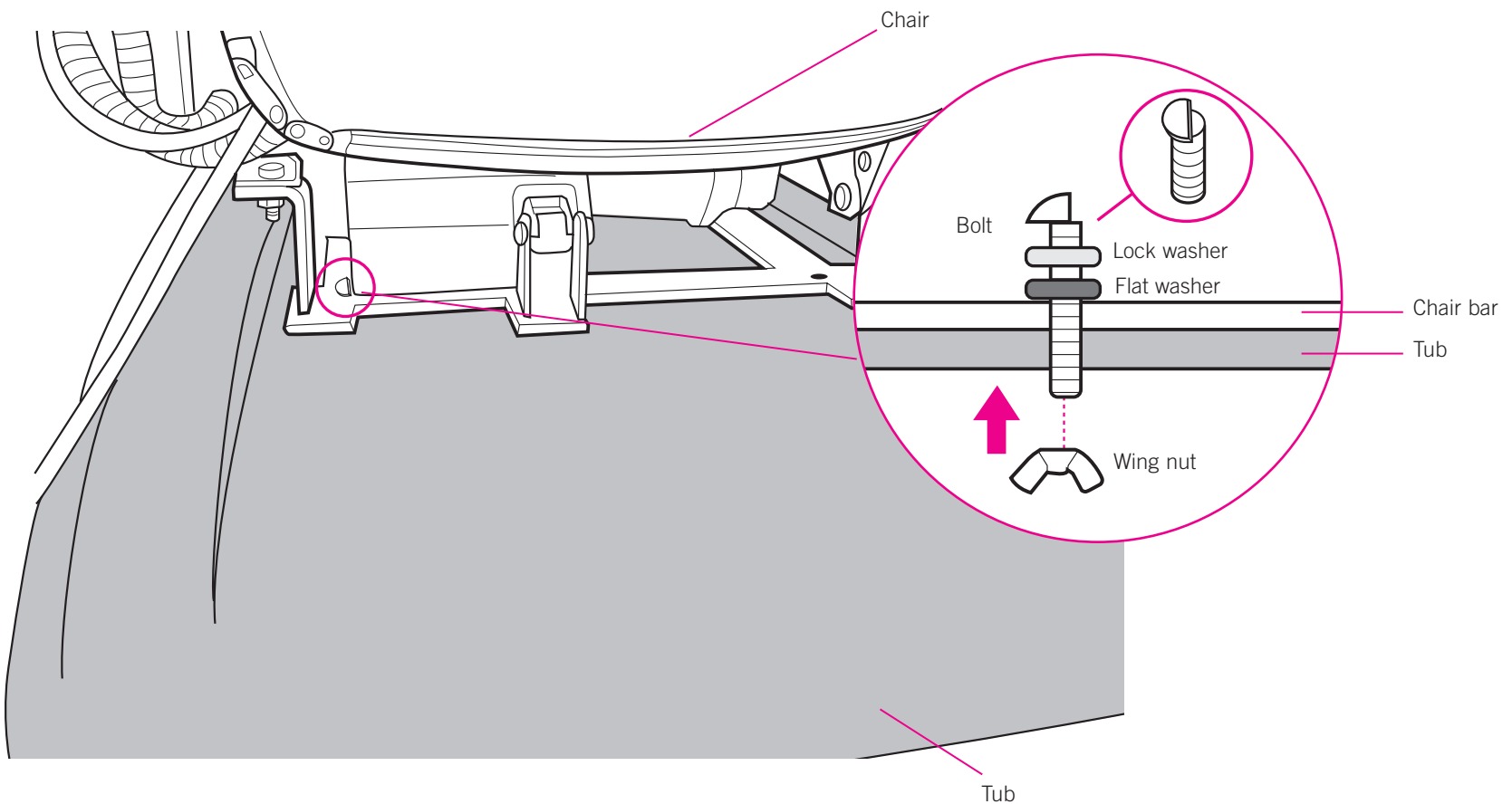


INSTALLING THE REAR LEFT-HAND BOLT

SAVE ALL REMOVED PARTS FOR USE DURING REASSEMBLY

SERVICE LEVEL: 2

1. Place the chair into position on top of the tub.
2. Place the lock washer, then the flat washer, onto the bolt.
3. From the top of the tub, insert the bolt downward, through the left-hand tub/bolt hole (Fig.1).
4. Install the wing nut onto the end of the bolt, then use a wrench to secure it (Fig.1).



HT-135-PS1 Chair Installation

NOTE: 2 people are required to attach the chair to the spa basin. Please do not attempt to do it by yourself. Doing so may result in serious injuries or damage to the products.

1



First, write down all of your information & all serial #s on page 3 in this manual.
Fill out and return warranty registration form.

2



Remove chair out of the box carefully, make sure that you do not grab the armrest. Lifting the chair incorrectly may cause damage to the chair.

3



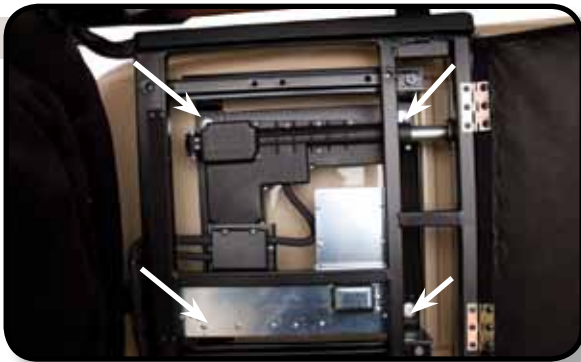
Place chair on the tub.

4



While one person holds the chair in place, the second person flips up the bottom cover.

5



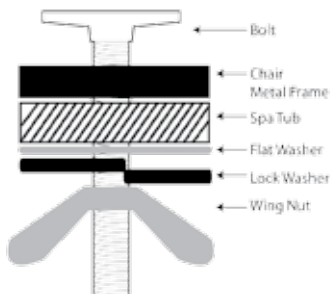
Lift the bottom cover. Plug chair in. Move chair forward / backward with remote control to clear the holes. Align bolt holes in chair with holes in spa.

6



Place the four bolts into the holes. Add the washers according to the following drawing (figure 7)

7



Install bolt and washers in order shown here. Tighten bolts by reaching underneath the chair. Bolt is not tight until lock washer is fully flat. This will prevent the chair's vibration from unscrewing the bolt.

8



After placing the screws, lock the backrest of chair by pushing the back until it locks. To unlock the chair, pull down lever.

HT-135-PS1 Cushion Installation

1



After attaching the chair to the pedicure tub, simply flip back the bottom cover to install the seat covers.

2



Place the back cushion first.

3



Attach all the velcro areas in the correct location.

4



Your chair should resemble image number 4.

5



Place the bottom cushion next.

6



Your chair should resemble image 6.

7



Place the headrest cushion last. Attach the two straps into the correct areas.

8



OPTIONAL:
Install the provided back softening pad for a softer massage. Unzip very top zipper and insert pad.

9



HT-135-PS1 Side Tray Installation

1



Remove trays from protective packaging.

2



Lift the chair arm to begin installation of the side tray.

3



Unscrew the bolts under armrest with the Allen Wrench tool that is included with chair.

4



Align holes on tray with holes on armrest.

5



Replace bolts and hand tighten.

6



Secure the bolts tightly with the Allen Wrench tool that is included with chair.

7



To lock trays, simply lift the side tray up.

8



Pull the lever underneath the tray down to unlock.

Please note:

Technicians must fold down the manicure trays after each use.

This will prevent any accidents caused by customers using trays for support when entering or leaving chair.

HT-135-PS1 Massage Chair Remote and Features



• **Master Power Switch**

Before starting, please read all Safety Warnings and Cautions at the beginning of this manual. Plug the massage chair into a grounded 110 VAC power source and turn on the master power switch located on the back side of the backrest, next to the power panel.



• **Stop Button**

Use Stop/Park to cancel all massage sessions and park rollers at the top of the back rest.



• **Restore Button**

Auto Restore functions the same as Stop/Park plus resets backrest to normal upright position.



• **Seat Power Recline Buttons**

Use the "back" buttons to recline seat. Use the "seat" buttons to move seat forwards and backwards.



• **Auto Massage Programs**

Choose from 3 different fully automatic massage programs, which concentrate on certain areas of the back. Programs run for 15 minutes each. (See next page for details.)



• **Range**

Adjusts chair to proper shoulder height.



• **Width**

Focus or diffuse massage pressure by adjusting the width of the precision massage rollers. Select narrow, standard, or wide roller setting while in Percussion, Roll Full Back and Roll Partial Back massage modes.



• **Position:**

Use with manual massage buttons. Allows you to customize the massage for your individual needs. Fine tune the position and focus of your massage with finger tip control. Select custom massage functions, and pinpoint the massage anywhere on your back.



• **Zone**

Concentrates massage in a 5" spot wherever you hit this button.



• **Roll**

Use with manual massage modes. Press roll for full back massage.

Stationary Massage Modes



Compression :

Alternating strokes along the back that press on both spinal muscles and spinal joint areas. Feels like the heels of the hand firmly pushing on muscles along the side of the spine, and then inward toward the spine. Alternating “hands” also deliver a soothing rolling motion for the body. Aids in muscle and joint repair due to strain from exercise, long hours spent bent over a desk, or high stress levels; can improve mobility and overall posture.



Kneading :

Massage nodes moving in small, circular motion on both sides of spine simultaneously. This second phase of massage is slightly more intense than the rolling and is considered to be a more deep muscle massage. Feels like the thumbs or heels of the hand pressing firmly in a circular motion on both sides of the spine. Relieves tension and soreness by lifting and stretching muscles; improves circulation and helps bring vital nutrients to spinal area.



Percussion: Alternating strokes along the spine that stimulate both spinal muscles and spinal joint areas. Feels like fists or length of hand rapidly tapping on back muscles.

Flexes spinal joints and relieves pressure on spinal column. Invigorates entire back area.



Knead + Percussion :

The same feel and benefits as described in “Up-Down Kneading” that can be applied in a single area. Use the Manual Position up & down buttons to apply the massage in the desired area. Feels like the thumbs or heels of the hand pressing firmly in a circular motion on both sides of the spine. Relieves tension and soreness by lifting and stretching muscles; improves circulation and helps bring vital nutrients to spinal area.

Automatic Massage Programs



These functions run pre-programmed combinations of signature massage modes for 15 minutes. Choose a full back massage, an upper back massage, or a lower back massage.



Neck Massage Softening Pads

The neck and back softening pads allow you to fine tune the massage experience around your head, neck and back. Experiment with various massage settings before removing the pad.



Removing the neck softening pad

1. Pull back the back cushion. Open the horizontal zipper located just below the top zipper.
2. Grasp the Softening Pad firmly, and pull it completely out of the pocket.
3. Close the zipper and resume massage.

HT-115-PS Chair Installation

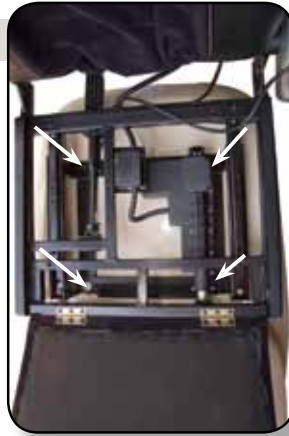
NOTE: 2 people are required to attach the chair to the spa basin. Please do not attempt to do it by yourself.

1



Carefully remove chair from packaging. Place chair on top of spa. While one person holds the chair in place, flip up the bottom cover.

2

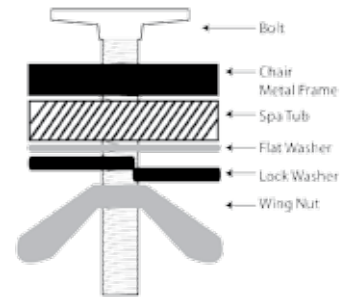


Plug chair in. Move chair forward/backward with remote control to clear the holes. Align bolt holes in chair with holes in spa

3



Place the four bolts into the holes. Add the washers according to the following drawing.



Install bolt and washers in order shown here. Tighten bolts by reaching underneath the chair. Bolt is not tight until lock washer is fully flat. This will prevent the chair's vibration from unscrewing the bolt.

4



Place back cushion first.

5



6



Place flap on seat bottom, then place bottom cushion.

7



Attach head rest cushion

8



To recline chair, pull lever on left side and pull top of chair down.

HT-115-PS Remote



• Master Power Switch

Before starting, please read all Safety Warnings and Cautions at the beginning of this manual. Plug the massage chair into a grounded 110 VAC power source and turn on the master power switch located on the back side of the backrest, next to the power panel.



• Stop Button

Use Stop to cancel all massage sessions and park rollers at the top of the back rest.



• Manual Massage Programs

Choose from kneading or compression massage, press one of these then use rolling to move mechanism up or down, and press rolling again to stop.



• Auto

Fully automatic massage program.



• Seat Forward/Backward Buttons

Use the "forward" button to move seat forward.
Use the "backward" button to move seat backwards.

SaniSmart™ Jet and Liner Instructions



ATTENTION!

- Do not run SaniSmart™ jet without water. This will void your warranty
- Do not place two wet ends into same bowl when cleaning. The jet's strong magnets could cause injury.
- Do not attach two wet ends to each other. Doing so will cause breakage to wet ends and will void the warranty.

Troubleshooting:

Why is SaniSmart™ Jet not on?

1. Make sure water is above the wet end.
2. Turn off for 3 seconds to reset the SS jet, then turn on again.
3. Make sure the magnetic disk is freely rotating.
4. Make sure all power connections are connected properly.
5. Make sure you have 110V-120V power from your wall outlet.
6. Make sure clear air tube from push button labeled Jet is connected to the power supply (black box)
7. Wet-end must be in place. SaniSmart™ dry-end (motor) will automatically turn off if wet end is not detected.

Turn off for 3 seconds to reset the SaniSmart™ jet, then turn on again.

Why is SaniSmart™ Jet making noise or vibrating?

The alignment is not correct.

Remove SaniSmart™ wet-end and reattach.

Adjust to align accordingly.



1. Insert disposable liner

Patent Pending



2. Cradle SaniSmart™ wet-end in your palm. Do not hold with your thumb. Jet will attach itself to dry-end. Adjust to align accordingly.

Patent Pending

3. Fill water to 2 inches above SaniSmart™ wet-end
4. Press jet button. Light and SaniSmart™ jet will turn on.

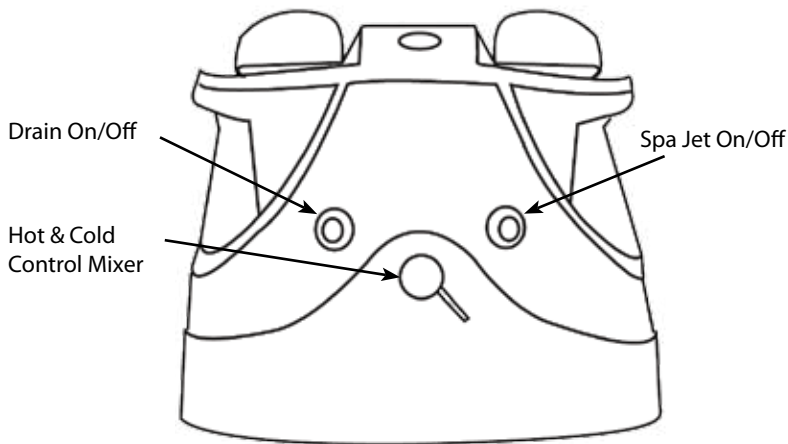


Patent Pending

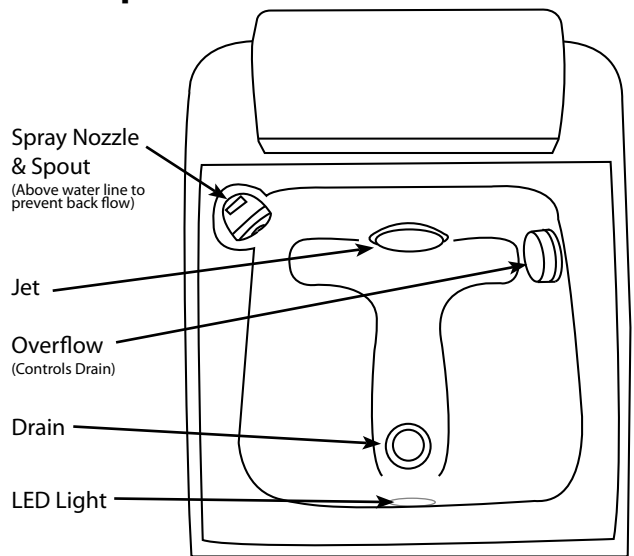
5. After completing pedicure, drop wet end into concentrated disinfectant solution.
6. Each day, clean impeller with a soft brush.

Spa Basin Operation

Front View



Tub Top View



Preparing the Pedicure Spa for Operation:

Clean and disinfect the basin following the instructions on page 17 before initial use.

Operating the Pedicure Spa:

Add Water to the Pedicure Spa Basin:

1. Turn the overflow knob counter-clockwise until it stops to close drain.
2. Lift upward on the hot & cold control mixer to add water to the basin. Turn the handle in a counter-clockwise direction for cold water or clockwise for warm water as indicated by the red (hot) and blue (cold) markings under the handle. Continue to add water until the fill line is reached. The fill line is indicated by the wavy (~~~~) line in the basin.
CAUTION: Always check water temperature before use; hot water can burn skin and can cause serious injuries. Water temperature should not exceed 105° F (41° C).
3. Turn the off water by pushing the handle downward.

Start or stop the whirlpool by pressing the jet button.

Remove water from the Pedicure Spa Basin:

Make certain the whirlpool jets are turned off by pressing the jet button.

For use with a floor drain, simply open the drain by turning the overflow knob in a clockwise direction until it stops. You should see the water level lowering as water exits the basin.

For use with the optional drain pump feature, open the drain by turning the overflow knob in a clockwise direction until it stops. Press the silver button marked "Drain" on the front panel. The water level will lower as water is pumped out of the basin. Turn the pump off by pressing the "Drain" button on the front panel once the basin is fully drained (NOTE: the drain pump will automatically shut off after 2 minutes.) We recommend turning off the pump manually if all water has drained before automatic shut-off. Drain pump may overheat if operated more than 10 minutes.

NOTE: If you are using a wall drain, it is very important that you close the drain cap for each use.

Failure to do so will result in contamination of the system.

Warning!

It is extremely important to follow the cleaning instructions located on page 17. Failure to clean the pedicure spa adequately may result in serious health issues for your clients as well as the nail technician. Failing to clean your pedicure spa may also cause the pedicure spa to not work properly. Please consult your local and state codes concerning pedicure spa cleaning for further requirements.

Basin Cleaning Procedures

WARNING! Please check with your state board and city codes in your area for specific spa disinfectant procedures. In addition to local requirements, it is very important that you carefully follow the basin cleaning procedures below to ensure that the spa is sanitized after each use. T4 is not liable for any infections or disease that may result from improper cleaning or failure to adhere to sanitation requirements.

After Each Customer

1. Remove suction cover by turning counter-clockwise. Remove any debris present with water spray.
2. Spray Sanitex disinfectant on impeller.
3. Spray Sanitex disinfectant on both sides of suction cover.
4. Thoroughly clean inside surface of spa tub, foot rest, and arm rest with Sanitex disinfectant wipes.
5. Thoroughly clean rest of the spa basin surface with Sanitex disinfectant wipes.
6. Allow 10 minutes for disinfecting time to complete.



1 Remove suction cover by turning counter-clockwise.



2 Spray impeller.



3 Spray suction cover on both sides



4 Replace suction cover by turning clockwise. Clean inside basin with disinfectant wipes



5 Clean the rest of the spa tub, footrest, and armrest with disinfectant wipes.

Every Night

1. Remove suction cover by turning counter-clockwise.
 2. Use a soft brush and water to clean suction cover.
 3. Use a soft brush and water to clean impeller. Put suction cover back in its place by turning clockwise.
 4. Fill tub. Add 1 level scoop of Pedi-Clear disinfectant crystals or other EPA Approved cleaner. (follow manufacturer's instructions)
 5. Circulate for 10 minutes and let it soak overnight.
 6. The next morning, drain water and thoroughly clean inside surface of spa basin with Sanitex disinfectant wipes.
 7. Thoroughly clean rest of the spa tub surface with Sanitex disinfectant wipes.
- The unit is now ready for the first customer of the day.



Note: DO NOT clean pedicure spa with pure chlorine solution. DO NOT soak overnight with pure chlorine or chlorine solution. This may lead to premature deterioration and rusting of the pedicure spa and its component parts and will result in void of limited warranty.

Recommended EPA Approved Hospital Grade Items:

Sanitex Spray
EPA Approved & Hospital Grade



Sanitex Wipes
EPA Approved & Hospital Grade



Pedi-Clear Disinfectant
Liquid or Crystals

EPA Approved



Use & Care

Note: Failure to follow these necessary maintenance instructions will void warranty.

Chair Maintenance:

Lubrication is required on the drive shaft every 6 months. Yellow or white grease sold at auto part stores can be used. Please refer to pages 19 and 20, "Greasing Drive Shaft" for further instructions.

Remove dust on the backrest or armrest with a vacuum.

Do not use benzene, thinner or any other solvents on your massage chair.

If the backrest or armrests become soiled, wipe with a damp cloth, then a dry cloth. (Common vinyl cleaners may be used for tough stains.)

Use a dry cloth only to clean the controller and around the power switch.

Foreign objects should not be inserted between the massage nodes or the unit housing.

Cover the chair when not in use for a long period of time.

If chair will be out of use for a long period of time, unplug and coil the power cord and cover the chair or place in an environment free for dust and moisture.

Prolonged exposure to direct sunlight can cause color fading and/or damage to the massage chair.

Pedicure Product Guidelines:

Please follow these guidelines when choosing products to use in your pedicure spa.

Always use pedicure products and cleaning solutions in accordance with each manufacturer's directions. Understand and follow your state regulations regarding proper product use and disinfecting requirements. This is solely your responsibility.

- Avoid products that contain a foaming agent; this will cause excessive foam.
- Products containing non-dissolving abrasives (such as sand and sea salts) will not harm the internal component structure of your pedicure spa as long as the spa cleaning requirements are followed after each use and each night. Refer to page 17.
- Oil based products may be used in your pedicure spa as long as the cleaning requirements are followed after each use and each night. Refer to page 17.

If you follow the operating, cleaning, and maintenance procedures, this pedicure spa can give you many years of service.

If you experience problems with your spa, please contact our Technical Support line at 1-888-502-8307 or email info@t4-spa.com

HT-135-PS1 Greasing Drive Shaft

We recommend greasing the drive shaft every 6 months - more if in dusty conditions.
Failure to follow this procedure will void warranty.

1



First, remove chair cushions.



2



Locate zipper pull on bottom of chair.
Carefully cut off plastic zip tie blocking zipper.

3



Unzip cover to expose roller mechanism



4



suggested item:

Use white or yellow colored grease.
DO NOT use black.
Grease can be bought at any hardware or auto parts store.

5



Apply grease along coiled pole and at the very bottom of pole. Use remote to move mechanism down, and grease top of pole.

6



Also apply grease at the joints of robotic arms.



Top view:

7

Replace mechanism cover and cushions.

HT-115-PS Greasing Drive Shaft

We recommend greasing the drive shaft every 6 months - more if in dusty conditions.
Failure to follow this procedure will void warranty.

1



First, remove chair cushions.



2



Locate zipper pull on bottom of chair.

3



Unzip cover to expose roller mechanism



4



suggested item:

Use white or yellow colored grease.
DO NOT use black.
Grease can be bought at any hardware or auto parts store.

5



Apply grease along coiled pole and at the very bottom of pole. Use remote to move mechanism down, and grease top of pole.

6



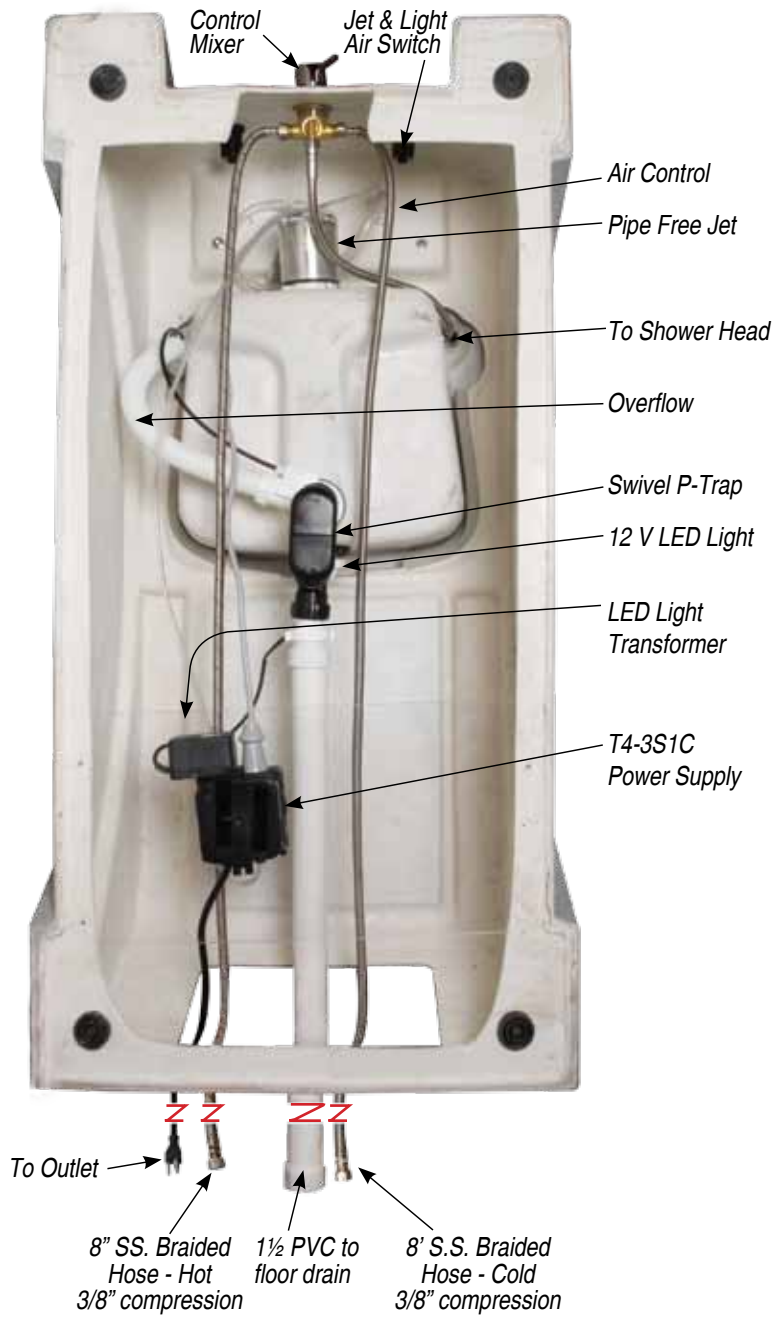
Also apply grease at the joints of robotic arms.

7

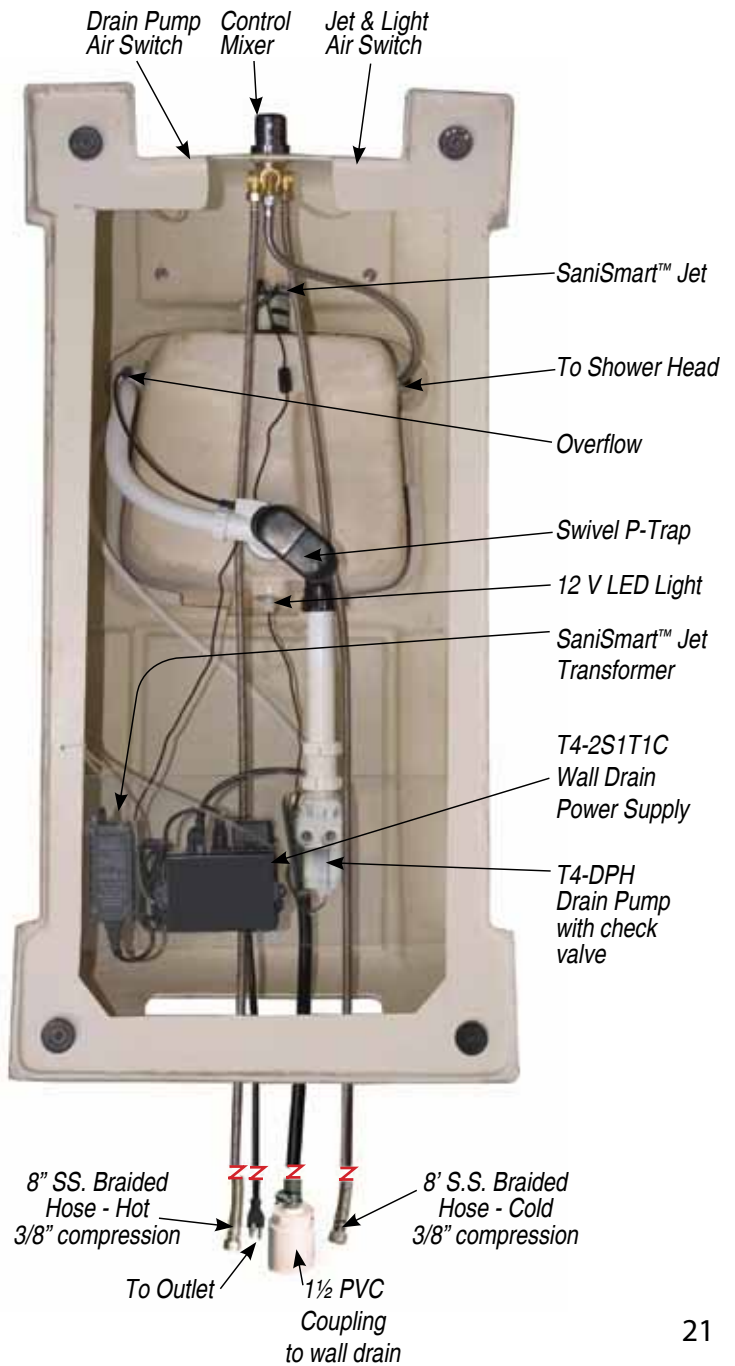
Replace mechanism cover and cushions.

Parts Identification

Floor Drain



Wall Drain



Parts

Spa Jets

Geni Jet 120 V

T4-GJ



Powerful pipe free motor pulse jet. Air venturi. Easy to clean.

SaniSmart™ 2.0 Jet 24W

T4-SS



Dry End
(includes motor and board)
T4-SSD



Wet End
T4-SSW



Transformer 24W DC
T4-SST

New Technology. Works with spa liners. No drilling necessary.

D29 Jet 120V/85W

T4-D29



Jets are angled to 29° for precise whirlpool action.

Drain Pump Assemblies

Little Giant Drain Pump Assembly

T4-DP



Includes check valve & P-Trap 110V 2.5A

T 4 Drain Pump Assembly

T4-DPH



Includes check valve & P-Trap 110V 1A

Check Valves

Dual Check Valve

T4-DCV



1/2" compression

3/8" compression

Some cities require a backflow preventer to be installed on hot/cold water line.

CSA approved.

1/2" Check Valve

T4-1/2 CV



Use with drain pump.

Hardware

1/2" Diverter Tee

T4-DT

1/2" NPSM



1/2" NPSM

1/2" NPSM

Allows 1 direction flow to spray nozzle or filler spout. (for older spa designs)

Power Supply

Floor Drain Power Supply

T4-3S1C



3 on/off, 1 continuous
Activate by air switch.

Wall Drain Power Supply

T4-2S1T1C



2 on/off, 1 timer (2 minutes), 1 continuous
Activate by air switch.

LED Lights

LED Light set

T4-L18



Set includes:
18 LED bulbs, AC 12V transformer, reflector housing, nut & gasket, light holder.
Bulb (T4-L18B) and transformer (T4-L18T) also available separately.

LED Light Set PRC

T4-L18C



Set includes:
18 LED bulbs, AC 12V transformer, reflector housing, nut & gasket, light holder.
Bulb (T4-L18BC) and transformer (T4-L18TC) also available separately.

Air Control

Silent Air Control

T4-AC



For use with Geni Jet.
Controls air mixed with water jet.

Air Control Tube

T4-ACT



3/8" 100' roll

Air Control Barbs

a.



a. 3/8 barb x 1/2 spg
T4-ACB½

b.



b. 3/8 barb tee
T4-ACBT

Parts

Plumbing Accessories

Level Controller with Solenoid Valve

T4-LCSV



1 1/2" Swivel P-Trap

T4-SPT



Eliminates odors from drain.

Overflow Assembly

T4-OFC



8' Stainless Steel Braided Hoses

T4-BHH - Hot T4-BHC - Cold



1/2 NPSF x 3/8 compression Flexible Tube. UPC Approved.

Shower Head and Hose

Shower Head Complete

T4-SH2



Includes shower head, angle holder & stainless steel hose.

Shower Head Only

T4-SH2HH



Stainless Steel Hose Only

T4-SH2H



Push Button

Engraved Metal Push Button

T4-PBM



Push Button Tube

T4-PBT



1/8" Clear tubing. 500' Roll

Control Mixer

Control Mixer Single lever

T4-LCM



1/2" NPSM Connections

Control Mixer Clockwise

T4-CCM



1/2" NPSM Connections

Econo Control Mixer

T4-ECM



1/2" NPSM Connections

Single Lever Replacement Cartridge

T4-LCMC



Clockwise Replacement Cartridge

T4-CCMC



Econo Replacement Cartridge

T4-ECMC



Specifications

HT-135-PS1 Chair Specifications

Massage Robot: 3 Motor/ 4 Roller
Operating Voltage: 110 -120 V / 50 Hz
Power Consumption: 70 Watts
Size: Chair (reclined) 61"L x 28"W x 34"H
Recline Angle: 165 Degrees
Forward/Backward: 5" distance

Number of Massage Functions: Four (4)
Programmed Function: 4 Steps (Repeating)
Massage Head Storage: Auto at Top
Automatic Timer Shut-Off: 15 minutes
Total Massage Stroke Length: 18.0 Inches
Full Length Travel: 43 seconds (25 - 35 - 45 In/Min)
Rolling: 25 - 35 In/Minute
Kneading: 50 - 35 - 20 Cycles/Minute
Compression: 70 - 50 Cycles/Minute
Percussion: 135 -110 Cycles/Minute
Up/Down: 25 - 35 - 45 In/Minute
Cover Fabric Material: Polyurethane
Accessories: Massage Softening Pads
Hand-held low voltage remote control for massage chair.

*Specifications are subject to change without prior notice.

HT-115-PS Chair Specifications

Massage Robot: 2 Motor/ 4 Roller
Operating Voltage: AC110 -120 V 60 Hz
Power Consumption: 50 Watts
Size: Chair (reclined) 45"L x 28"W x 32" H
Recline Angle: 165 Degrees
Forward/Backward: 5" distance

Chair Weight - 80 lbs
Maximum load weight - 285 lbs

Number of Massage Functions: Three (3)
(Rolling, Kneading, Compression)
Automatic Massage Mode - (1)
Massage Head Storage: Auto at Top
Automatic Timer Shut-Off: 15 minutes
Cover Fabric Material: Polyurethane
Hand-held low voltage remote control for massage chair.

*Specifications are subject to change without prior notice.

Basin Specifications

Hot and cold water supply lines required (hot and cold shut offs may be installed under or behind pedicure spa basin) see pg 6

Drain installation: Reference note on page 8; can be installed with optional drain pump for wall drain or a gravity drain.

Capacity of basin: 4.5 U.S. Gallons (17.03L) = Traditional Whirlpool (with Jets)*

Power source: 110V AC / 15 Amp, 60 Hz (GFCI Protected)

Caution: Pedicure spa must be installed by a licensed electrician and a licensed plumber, conforming to all local and national electrical codes.

Jet System: Pipe free whirlpool pedicure spas: 1 jet, LED lights, optional drain pump.

Jets: (may contain either)

Geni Jet Motor: 120V AC, 60Hz, 1.2A

D-29 Jet: 120V, 85W, 60Hz, 1A

Sanismart Jet: 110V AC, 60 Hz

Drain Pump Motors: (may contain either)

Little Giant - Model # 3E-34N, 115V, 60 Hz, 2.5A,

T4-DPH: 120 V AC, 85W, 60Hz, 1 A

LED Lights: (may contain either)

T4-L18: input: 120V AC, 60Hz, 28VA Output: 12V, 60 Hz, 1.67A

T4-L18C: input: 120V AC, 60Hz, 28 VA, Output: 12V Ac 1.67A, 20VA, Class 2

Electrical switches: On/Off air switch for Geni Jet & Led Light. On/Off air switch for drain pump.

Limited warranty: One (1) year from date of purchase.

Due to our policy of continuous improvements, all specifications are subject to change without notice.

Shipping Weights: (Total)

Avanti - 323 lb

Bellini - 329 lb

Ella - 336 lb

Everest I - 368 lb

Everest II - 364 lb

Jaguar - 325 lb

Katai - 374 lb

Kata-Gi - 378 lb

Milan - 337 lb

Panther - 332 lb

Red - 345 lb

Sonata - 326 lb

Vanity - 323 lb

Luxus - 323 lb

Limited Warranty - Pre-Registration Required

T 4® Pedicure spas are manufactured with the highest standards for quality and workmanship. Accordingly, T 4 warrants its products as follows:

To the original owner of the T 4® pedicure spas, T 4 may repair or replace at its option any pedicure spa deemed to be defective in material or workmanship upon inspection by an authorized representative of T 4. This warranty covers only the listed components for the following time periods:

- Recirculating Pump: One (1) year from date of shipment
- All other components: One (1) year from date of shipment
- There are no other warranties, express or implied.

Owner must pay all labor and shipping charges necessary to replace or repair the pedicure spa. T 4 will not be liable for any consequential, incidental, or contingent damages. Some states do not allow the exclusion or limitation of incidental or consequential damages, so the above limitation or exclusion may not apply to you.

If a pedicure spa needs to be exchanged, it will be limited to supplying a replacement pedicure spa of comparable style and size. T 4 may at its own discretion use refurbished parts or pedicure spas for repair and replacement purposes.

This warranty is null and void if the pedicure spa is removed from its place of initial installation or is not installed in accordance with federal, state, or local codes and ordinances. Furthermore, this warranty does not apply if the pedicure spa has been subject to misapplication, misuse, improper installation or maintenance, negligence, improper cleaning, or other circumstances beyond T 4's control. T 4® Pedicure spas have a maximum weight capacity of 300 lbs. Any use exceeding this limit voids the warranty.

The following are examples of what is not covered by the warranty:

- 1) Natural wear and tear
- 2) Staining, fading, or discoloration of the vinyl seat, armrests, or footrest.
- 3) Damage resulting from standing in the basin.
- 4) Damage to pump parts and/or motor parts due to obstruction in plumbing lines, etc.
- 5) Staining, fading, or discoloration of plastic surfaces due to exposure and/or the use of harmful cleaning agents or chemicals.
- 6) Staining, fading, or discoloration caused by improper or poor water additives not related to maintenance of proper water.
- 7) Malfunctions or damage caused by improper installation, including not meeting local and state plumbing, electrical, and building codes.
- 8) Freight damage, misuse, neglect, abuse, and natural disaster
- 9) Unauthorized repairs.
- 10) Repair service.

Some states do not allow limitations on how long an implied warranty lasts, so the above limitations may not apply to you.

Should service be required for defect or malfunction during the warranty period, please contact:

T4 Spa Concepts and Designs, LLC
Customer Service
5902 Sovereign Drive
Houston, TX 77036
Toll Free: 1-888-502-8307 • Fax: 1-888-503-2392 • info@t4-spa.com • http://www.t4-spa.com

By using this pedicure spa, Owner agrees that the obligation of T 4 shall not extend to indirect or consequential damage, injury or serious bodily harm, which may result from pedicure spa use. Owner agrees that the obligations of T 4 are limited to those set herein and that there are no other obligations except those expressly agreed to in writing by T 4. No dealer or other person has any authority to bind T 4 to changes or additions to this warranty or its products; accordingly, T 4 is not responsible for any such warranties or representations.

To register for your warranty, please copy this page, fill out section below, attach a copy of your sales receipt, and mail to us. Warranty will not be honored without prior registration.

(Some states do not allow registration to be a requisite of warranty, so the above may not apply to you.)

Company: _____ Contact: _____

Address: _____

City/State/Zip _____

Telephone: _____ Email: _____

Yes, Please send me updates and news on the latest T 4® Products and promotions

PediSpa Model: _____ Tub Color: _____ Sink Color: _____

Spa Serial #: _____

Chair Model: _____ Chair Serial #: _____

Place of Purchase: _____ Purchase Date: _____ Purchase Price: _____

Address: _____

City/State/Zip _____ Telephone: _____