

# **PawTrax GPS Pet Tracker**

## **including KidTrax and PeopleTrax**

**user manual**



## Introduction

The PawTrax Micro is a small and powerful tracking device, developed for cats and small dogs. On request it will send its location to the user's mobile phone or our mapping platform at [www.gpstrackingmap.com](http://www.gpstrackingmap.com). The device has been designed in such a way that it can be used for other applications such as KidTrax, PeopleTrax and AssetTrax. It can be attached to a key ring or lanyard or covertly hidden in an asset.

## Main Features – some are more applicable to certain applications

Locate and Track via SMS and GPRS

Listen in function

SOS alert button

Geo-fence alarm

Speeding alert

Low battery alert

Intelligent sleep mode – under GPRS will go into sleep mode if not moving or no GPS signal to conserve power

## Specification

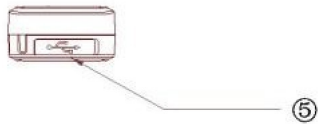
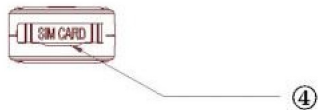
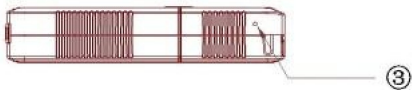
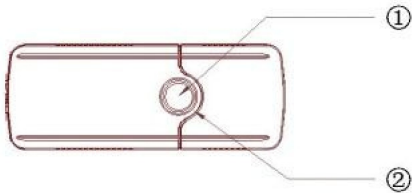
|                       |  |
|-----------------------|--|
|                       |  |
| Dimension             | 58.2mm x 23.0mm x 11.2mm                         |
| Weight                | 23g  |
| Network               | GSM/GPRS   |
| Band                  | 850/900Mhz      coming soon 850/900/1800/1900Mhz |
| GPS chip              | SIRF3 chip                                       |
| GPS sensitivity       | -159dBm  |
| GPS accuracy          | 5m   |
| Cold start            | 42 sec.  |
| Warm starts           | 38 sec.  |
| Hot start             | 1 sec.   |
| Operation temperature | -20°C to +55°C                                   |
| Humidity              | 5%--95% non-condensing                           |

## Getting Started

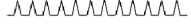





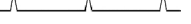
Charge the battery for 8 -12 hours for the first three times. After the first three times, the battery can be charged fully in 3-5hours. In order to protect the device please use the battery and charger provided.

**SIM CARD:** Please be sure that there is call display but no call transfer, and PIN code is off.

**Switch on:** Take the unit outdoors or place near a window. The device will be switched on after inserting the SIM card. **To switch off:** Take out the SIM card.

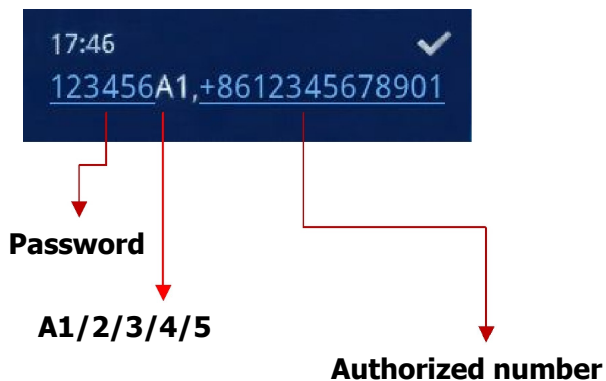


1. SOS Button
2. LED
3. Microphone
4. SIM card Slot
5. USB Connector

|                  |  |                     |
|------------------|--|---------------------|
| Yellow LED       | Flash every 0.1 seconds<br> | Start up sequence   |
| Blue LED         | constant light   |                     |
| Yellow LED(GSM)  | Blink like<br>              | Working in GSM mode |
| Yellow LED (GSM) | Blink like<br>              | Connecting GPRS now |
| Yellow LED (GSM) | Blink like<br>              | Connected to GPRS   |
| Yellow LED (GSM) | Flash every 0.1 seconds<br> | SOS Button Pressed  |
| Blue LED (GPS)   | Flash every 0.1 seconds<br> |                     |
| Blue LED (GPS)   | Blink like<br>              | Got GPS signal      |
| Red LED (power)  | constant light   | Charging            |

## Set the authorized number.

Send SMS "**123456A1,phone number**" to set the first SOS number. At least 1 authorized number must be set as an SOS number



17:46  
1TEL OK!+8612345678901;DATE:  
11/06/21,TIME:09/41/17,LAT:  
22.7649200N,LOT:114.3980750E,Speed:  
000.0,66-27,000

Reply SMS

Send SMS "**123456A1,phone number**" to set the first SOS number.

This number will also receive low battery warning SMS

Send SMS "**123456A2,phone number**" to set the second SOS number.

Send SMS "**123456A3,phone number**" to set the third SOS number.

Send SMS "**123456A4,phone number**" to set the fourth authorized number.

Send SMS "**123456A5,phone number**" to set the fifth authorized number.

All numbers will receive the location message when requested

Note: 123456 is the default password. 'A' must be in upper case and make sure there is no space in the command. Phone number must include the country code

E.g. send SMS "**123456A1,+4413812345678**" to set +4413812345678 as the first SOS number.

+44 is the country code of UK. Please do not use 00 instead of +.

All of the five authorized numbers do not have to be set, but you must set at least one authorized number. The device will only accept SMS commands from the authorized numbers.

## Delete authorized number.

Send SMS "**123456A1,D**" to delete the first SOS number.

Send SMS "**123456A2,D**" to delete the second SOS number.

Send SMS "**123456A3,D**" to delete the third SOS number.

Send SMS "**123456A4,D**" to delete the fourth authorized number.

Send SMS "**123456A5,D**" to delete the fifth authorized number.

E.g. send "**123456A1,D**" to delete the first SOS number.

## Modify the password

Send SMS "123456H\*\*\*\*\*" to change the password.

Note: \*\*\*\*\* is the New password. H must be upper case, send it to tracker to modify the password. (Default password: 123456)

E.g. send "123456H456789" means change the password 123456 to 456789

The password won't be erased by changing SIM card.

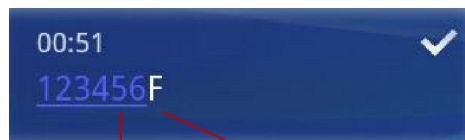
Be sure to keep the password safe, otherwise it will have to be returned for resetting.

The password must be 6 numbers, If not the tracker cannot recognize the password.

## Get position

Send SMS "123456F" to the device and it will reply its position by SMS. Only the authorized number can get the reply. Note: F must be in uppercase.

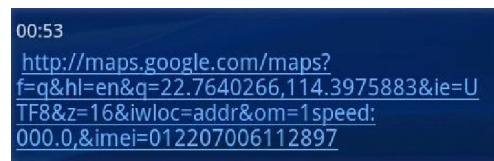
E.g. send "123456F" to the unit. It will reply its position.



**Command SMS**

**Password**

**Command**



**Reply SMS**

## Continuous tracking function

Send SMS "123456M0/M1,xxxS/M/H" to the unit, the tracker will send the location message according to the time interval. Note: M must be upper case

M0 means turn off, M1 means turn on

xxx means time interval and must be three numbers,030S means 30S.

S means second, M means minute, H means hour

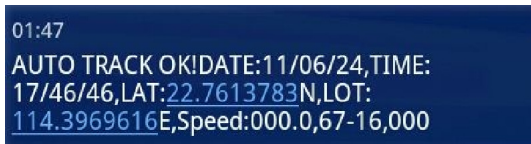
H should be ≤90, S,M should be <255

E.g. send"123456M1,030S" to the tracker means every 30 seconds send back a position coordinate to the A1 number. Send"123456M0,030S" to the tracker means stop the continuous tracking.

This function is also used to set the update time to the mapping platform if used. In this case it will report via GPRS to the platform and not to the mobile numbers.



Command SMS



Reply SMS



Tracking data

## SOS function

Press and hold the SOS button for approx 3 seconds and it will send SOS Alert to A1, A2, A3 authorized numbers. In addition the device will call authorized numbers in turn, open up the microphone, allowing the authorized number to listen in to the sound around the tracker.

SOS function can also be set up via the GPRS web platform enabling alerts to be sent via email.

## **Listen in function**

The numbers that can listen in need to be programmed into the PawTrax by sending the following sms. Up to 3 numbers can be programmed

[123456A6,phonenumber](#)

[123456A7,phonenumber](#)

[123456A8,phonenumber](#)

The number needs to be in the format +4401234567899.

If an authorized number calls the tracker and waits for the tracker to pick up the call, the caller will be able to hear the sounds around the tracker. This may not work well in the PawTrax application if it is inside the pouch

Please make sure that voicemail is deactivated on the sim

## Speeding alert

Send SMS "123456J0/J1,speed" to set the Speeding alert function. Note: J must be uppercase

J0 means turn off the over speed alert function; J1 means turn on the speeding alert function. Speed should be <250 and must 3 numbers, e.g. 080= 80 km/h.

For example, send "123456J1,080" to tracker. When the object exceeds 80 km/h, the unit will send SMS as "Over speed! +GPS info" to the A1,A2,A3 number. Send "123456J0,080" to tracker means turn off the speeding alert function.



Command SMS



Reply SMS

Speeding alert function can also be set up via the GPRS web platform enabling alerts to be sent via email.

## GEO-FENCE

Send SMS "123456Ixyz,aabbccddefffgghhijkkllmmnneppp qqrssj" to set up the geo-fence for the device to restrict its movement within an area. The device will send the message to the A1, A2, A3 numbers as "Stockade +geo info" when it breaches the district.

There are 5 GEO-FENCES can be set for the tracker.



Note: It must be English in capital.

x=NO. of the GENFENCE(1-5)

y=1 means turn on, y=0 means turn off

z=0 means go into, z=1 means go out

e=N means north latitude, e=S means south latitude

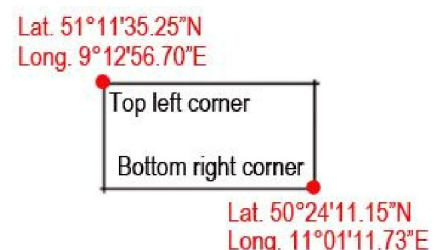
j=E means east longitude, j=W means west longitude

aa,bb,cc,dd,kk,ll,mm,nn,qq,rr,ss must be 2 numbers.03 means

3. fff,ppp must be 3 numbers.011 means 11.

E.g. The first Lat.51°11'35.25"N, Long.9°12'56.70"E

The second Lat.50°24'11.15"N, Long.:11°01'11.73"E





So the SMS command should be

"123456I1,1,1,51113525N009125670E50241115N011011173E"

123456I1,1,1,+first Latitude Longitude+ second Latitude Longitude

17:07 ✓  
123456I1,1,0,22455549N114234686E224547  
40N 114235499E

Command SMS

17:07  
SET GEO OK!DATE:11/06/27,TIME:  
09/03/33,LAT:22.7646216N,LOT:  
114.3976250E,Speed:000.0,0-0-1-1-54-27,000

Reply SMS

17:14  
Stockade!1-IN!DATE:11/06/27,TIME:  
09/13/38,LAT:22.7646216N,LOT:  
114.3976250E,Speed:000.0,0-0-1-1-54-25,000

Gen-fence Alarm

To obtain the co-ordinates for your specific area visit [www.Googlemaps.com](http://www.Googlemaps.com) , right click on the desired point, select "What's Here". The co-ordinates will be displayed in the search box.

Geo Fences and Geo-Zones can more easily be configured and set up using the GPRS web based platform

## Low battery alert

Send SMS "123456(N0/N1),xx" to set the low-battery alert.

Note: N must be in uppercase N0 means turn off the low-battery alert function; N1 means turn on the low-battery alert function. xx should be <45 and must be 2 numbers.

E.g. send "123456N1,30" to the tracker means when the battery is lower than 30%, it will send an alert to the authorized number. Send "123456N0,30" to the tracker means turn off the low battery alert function.

00:57 ✓  
123456N1,25

Command SMS

00:57  
OPEN LOW BAT OK!Before!DATE:  
09/01/01,TIME:00/00/01,LAT:  
22.7640266N,LOT:114.3975883E,Speed:  
000.0,18-16,000,46000-2634-FF98

Reply SMS

04:33  
BAT:Low!23!Before!DATE:11/06/24,TIME:  
00/30/38,LAT:22.7614083N,LOT:  
114.3966300E,Speed:  
000.0,23-17,000,46000-2634-FF7B

Low battery Alarm

Low battery alert will be sent to the A1 authorized number

This function will also soon be available via the GPRS mapping platform

## Set the local time

Send SMS "123456L+time zone" to set the local time

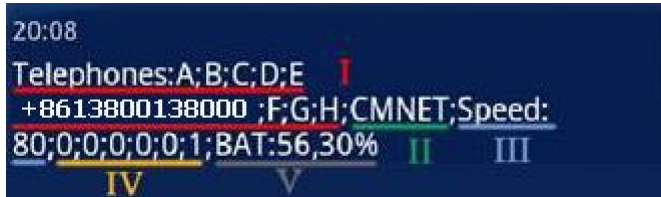
Note: L must be in upper case, "+" in the time zone means EAST, "-" in the time zone means WEST. Time zone must be 2 numbers. So BST time zone should be like this: +01, Los Angeles' time zone should be: -08

E.g. Send "123456L+01" to set the time to BST

## Check tracker's parameters

Send command 123456G to check the parameters

The return SMS is as follow:



**I** Telephones:A; B; C; D; E ( the phone number of A1; A2; A3; A4;

A5) **II** CMNET is China mobile's APN

**III** Speed: 80 is over speed value

**IV**0;0;0;0;0;0;1 :Over speed alarm; auto-track\*; auto-arm\*; Move alarm\*; Rrm\*; Low battery alarm(0 is OFF, 1 is ON) **V** BAT: 56, 30%: 56 is the power value, 30% is low power alarm value

\* Not used

## GPRS setting

In order to use GPRS function, the PawTrax needs to be configured with the IP, Port and APN (access point name). Make sure that your SIM card supports the GPRS function. These settings may already be set up for you depending on the package ordered.

Send SMS "123456C\$\$\$\$,IP:Port" to set the APN, IP and port.

Note: C must be upper case. Please get APN from your local GSM operator and pay attention to the lower case or upper case of those letters.

E.g. send SMS "123456CGiffGaff.com,94.229.67.20:12002" GiffGaff.com is the APN of GiffGaff - IP and Port numbers are those of our tracking platform server.

Send SMS "123456O&&&&, @@@@" to set the username and password for GPRS, skip this step if there isn't username and password

Note:&&&& is the username and @@@@ is the password. O must be in uppercase. This setting depends on the providers. If the provider doesn't need username and password for the GPRS, you do not need to send this command.

E.g. send SMS "123456Ogiffgaff, username".

Send SMS "123456D" to turn on GPRS

Send SMS "123456E" to turn off GPRS

Note: D and E must be uppercase

**To set up the update interval time see Continuous Tracking function earlier in the userguide**

## Displaying location on Google map

Go to <http://maps.google.com> and type in the latitude and longitude like this:  
loc:22.7645801N,114.1975566E Click search button, then you can see the position.

Download Google earth software from <http://earth.google.com/> and install it in to your computer.  
Start the Google Earth software and type the latitude and longitude into the software like this:  
loc:22.5640801N,113. 3375516E. Click search. Then you can see the position.

## Displaying location on your mobile phone

The location sms sent will include a URL like this:

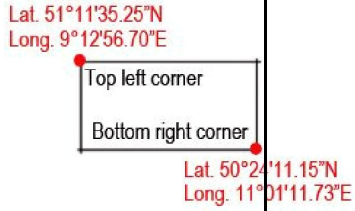
<http://maps.google.com/maps?f=q&hl=en&q=loc:22.549039,114.086004&ie=UTF8&z=16&iwloc=addr&om=1speed:000.0,&imei=012207006112897>

Click the URL then you can see the location



## All of the SMS commands list

| name                                  | Sentence content  | Description  |
|---------------------------------------|---|--|
| Set authorized numbers                | 123456A1,phone number<br>123456A2,phone number<br>123456A3,phone number<br>123456A4,phone number<br>123456A5,phone number | A1,A2,A3,A4,A5 is mobile phone numbers.<br>Phone number must include the country code like +4413812345678. +44 is the country code of UK. Please do not use '00' instead of '+'  |
| Sample of setting authorized numbers  | 123456A1,+8613812345678   | Set +4413812345678 as the first SOS number (A1).   |
| Delete authorized numbers             | 123456A1,D<br>123456A2,D<br>123456A3,D<br>123456A4,D<br>123456A5,D  |  |
| Get position by SMS                   | 123456F   | It will reply the latitude and longitude to the mobile phone, then you can go to the Google to search the Position or click the Google map link URL  |
| Set continuous tracking               | 123456Mx,yyyz   | x=1 means on, x=0 means off<br>yyy means time interval. If z=S/M it should be <=255.if z=H, it should be<=090. It must be three numbers,030Smeans 30S<br>Z means time unit, z=S means second, z=M means minute, z=H means hour   |
| Sample of Setting continuous tracking | 123456M1,030S   | The tracker will reply the position according to the time interval you set (30 seconds).   |
| Set the speeding alarm                | 123456Jx,yyy  | x=1 means on, x=0 means off<br>yyy means the alarm speed, it should be<250 and must three digital, e.g. 080=80km/h.  |
| Sample of setting speeding alarm      | 123456J1,080  |  |
| Set GEO fence                         | 123456Ix,y,z,<br>aabbccddefffgghhijklmmnneppppqqr<br>rssj   | x=NO. of the GEO-fence(1-5),5 GEO fence can be set<br>y=1 means on, y=0 means off<br>z=0 means go in, z=1 means go out<br>e=N means the north latitude, e=S means the south latitude<br>j=E means the east longitude, j=W means the west longitude<br>aa,bb,cc,dd,kk,ll,mm,nn,qq,rr,ss must be 2 numbers.03 means 3.<br>fff,ppp must be 3 numbers.011 means 11 |

|   |  |  |
|---|--|--|
| Example of setting GEO fence                        | 123456I1,1,1,511135<br>25N009125670E<br>50241115N011011173E<br><br> | The tracker will send an alarm if it is in/out the Area you set.   |
| Set the time zone                                   | 123456Lxyy   | x=+ means east x=- means west<br>yy means the time zone, must be 2 numbers   |
| Sample of setting the time zone                     | 123456L+08   | Set the +08 time zone  |
| Set the low battery alarm                           | 123456Nx,yy  | x=1 means on, x=0 means off<br>yy means battery lower then yy% then send the alarm. It must be <45 and 2 digits.                             |
| Sample of setting the low battery alarm             | 123456N1,40  | The tracker will send a low battery alarm if the battery is lower then 40%   |
| Modify the password                                 | 123456H456789  | 456789 is the new password, new password must be 6 numbers   |
| Set the APN,IP and port                             | 123456C\$\$\$\$,IP:Port  | \$\$\$\$ is the APN, you can get the APN from your local GSM provider.   |
| Sample of setting the APN                           | 123456CCMNET,<br>119.122.101.91:7289   | GiffGaff.com is the APN of GiffGaff mobile.  |
| Set the username and password for APN               | 123456O&&&&, @@@@  | &&&& is the username and @@@@ is the password.<br>If the SIM card doesn't need username and password for the APN, you do not need to set it. |
| Sample of setting the username and password for APN | 123456Ogiffgaff,password   | The user name is giffgaff and the password is password.  |
| Open GPRS   | 123456D  | The tracker will report to platform by GPRS. It will send back an SMS to confirm after it has connected the server successfully.             |
| Close GPRS  | 123456E  | The tracker will close the connection with the server.   |
| Check the setting                                   | 123456G  | Check all parameters set in tracker  |
| Factory reset                                       | RESET!   | Device reboot itself without any message reply   |