

# BOHN

THE COLD STANDARD

BN-LUCTB

May 2008

Replaces 430.2, August 2002

## LARGE UNIT COOLER

### Technical Guide

Models BHA | Air Defrost • BHE/BHL | Electric Defrost • BHG/BHF | Hot Gas Defrost

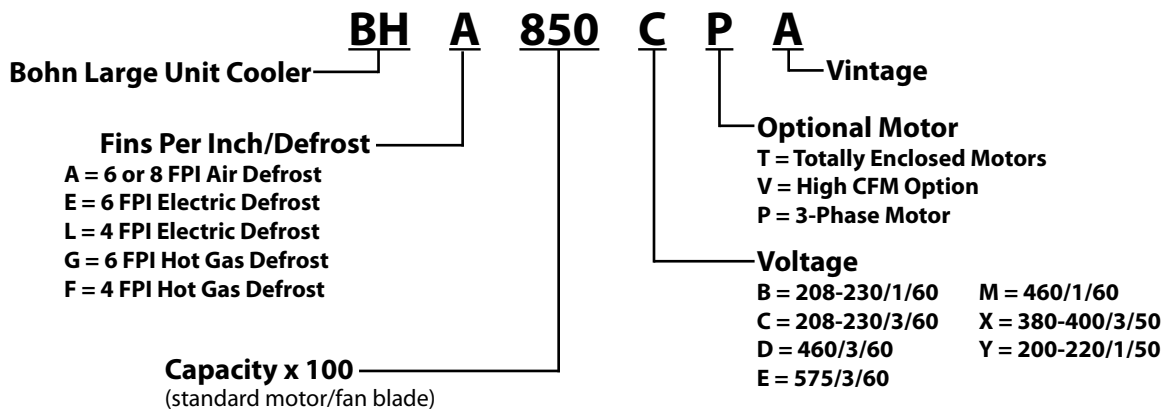


## Table of Contents

Features & Benefits .....	3
60 Hz Performance .....	4-8
50 Hz Performance .....	9-13
Physical Specifications .....	14-16
Dimensional Data .....	17-18
Nozzle Selection .....	19
Replacement Parts.....	20-21
Notes.....	22-23



## Nomenclature



## Features & Benefits

Bohn introduces its latest line of heavy duty large unit coolers for warehouse cooler/freezer applications. With a wider capacity range and the patented Thermo-Flex coil design, these large unit coolers provide efficient, reliable operation. Bohn has designed many features and options into this product line to give you a superior heavy duty evaporator.

### Features

- Mill finish aluminum provides an attractive design and structurally sound cabinet
- Thermo-Flex (with five-year limited warranty) is innovative, eliminates leaks, and reduces risk of refrigerant loss
- 850 rpm motors are quiet and reliable
- Liquid line solenoid wiring harness for faster installation
- Suction Schrader fitting for easier suction temperature measurement
- Hinged drain pan and access panels for easy servicing
- Captive fasteners on access panels for easy servicing — no fumbling with loose bolts and nuts
- Adjustable defrost control can be customized per application
- Long air throw is ideal for large warehouse and industrial applications
- Standardized terminal board for easier field wiring
- Complete hot gas defrost model offering meets more applications

### Options

- High CFM motor and fan combinations (208-230/3/60 and 460/3/60)
- Totally enclosed motors (208-230/3/60 and 460/3/60)
- Low temperature motors for blast cooling and freezing (for room temps -31°F to -50°F)
- Long air throw collars for large warehouse and industrial applications
- More factory mounted features for easier field installation (consult factory)
- Insulated drain pan



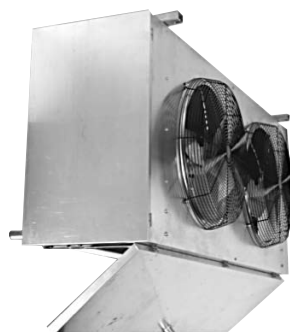
## Innovative Thermo-Flex™ Coil Design

Bohn's innovative coil design utilizes a unique approach to coil expansion that virtually eliminates the possibility of leaks at tube sheets and coil supports.

The **Thermo-Flex™** coil design for the unit cooler\* allows the coil to "flex" during periods of defrost resulting in expansion of the coil surface. By eliminating the possibility of wear at critical stress areas, the integrity and longevity of the unit are dramatically increased. The result is a product which greatly enhances overall system reliability and reduces risk of costly refrigerant loss.

**Bohn offers a five-year limited guarantee against leaks at tube sheets and center supports for all medium profile unit coolers.**

\* Patent number 5,584,340



# 60 Hz Performance

**Table 1. Model BHA 60 Hz Air Defrost**

Model	Capacity BTUH/watts 10°F TD 25°F SST		Fan Data						Standard Motor Data										
			CFM/m <sup>3</sup> h	No.	Dia. in./mm	Air Throw ft./m		HP	Total Amps										
						Standard	w/ Collar		208-230/1/60		208- 230 /3/60	460/1/60		460 /3/60	575 /3/60				
BHA Models 6 Fins Per Inch																			
BHA520	52,000	<b>15,200</b>	9,000	<b>15,300</b>	2	24	<b>610</b>	70	<b>21</b>	85	<b>26</b>	1/2*	6.4	-	5.2	3.4	-	2.6	1.8
BHA630	63,000	<b>18,500</b>	9,000	<b>15,300</b>	2	24	<b>610</b>	70	<b>21</b>	85	<b>26</b>	1/2*	6.4	-	5.2	3.4	-	2.6	1.8
BHA750	75,000	<b>22,000</b>	12,600	<b>21,400</b>	3	24	<b>610</b>	70	<b>21</b>	85	<b>26</b>	1/2*	9.6	5.5	7.8	-	3.0	3.9	2.7
BHA850	85,000	<b>24,900</b>	12,600	<b>21,400</b>	3	24	<b>610</b>	70	<b>21</b>	85	<b>26</b>	1/2*	9.6	5.5	7.8	-	3.0	3.9	2.7
BHA930	93,000	<b>27,200</b>	16,800	<b>28,600</b>	4	24	<b>610</b>	70	<b>21</b>	85	<b>26</b>	1/2*	12.8	8.7	10.4	-	4.7	5.2	3.6
BHA1100	110,000	<b>32,200</b>	16,800	<b>28,600</b>	4	24	<b>610</b>	70	<b>21</b>	85	<b>26</b>	1/2*	12.8	8.7	10.4	-	4.7	5.2	3.6
BHA1170	117,000	<b>34,300</b>	20,700	<b>35,200</b>	3	30	<b>762</b>	100	<b>30</b>	115	<b>35</b>	1	-	-	13.8	-	-	6.9	7.8
BHA1400	140,000	<b>41,000</b>	20,700	<b>35,200</b>	3	30	<b>762</b>	100	<b>30</b>	115	<b>35</b>	1	-	-	13.8	-	-	6.9	7.8
BHA1610	161,000	<b>47,200</b>	24,300	<b>41,300</b>	3	30	<b>762</b>	100	<b>30</b>	115	<b>35</b>	1-1/2	-	-	19.8	-	-	9.9	7.8
BHA1900	190,000	<b>55,600</b>	26,550	<b>45,100</b>	3	30	<b>762</b>	120	<b>37</b>	140	<b>43</b>	1-1/2	-	-	21.0	-	-	10.5	8.4
BHA2200	220,000	<b>64,400</b>	30,400	<b>51,700</b>	4	30	<b>762</b>	120	<b>37</b>	140	<b>43</b>	1-1/2	-	-	26.4	-	-	13.2	10.4
BHA2440	244,000	<b>71,500</b>	35,400	<b>60,200</b>	4	30	<b>762</b>	120	<b>37</b>	140	<b>43</b>	1-1/2	-	-	28.0	-	-	14.0	11.2
BHA Models 8 Fins Per Inch																			
BHA2160	216,000	<b>63,300</b>	25,950	<b>44,100</b>	3	30	<b>762</b>	120	<b>37</b>	140	<b>43</b>	1-1/2	-	-	21.0	-	-	10.5	8.4
BHA2500	250,000	<b>73,200</b>	29,600	<b>50,300</b>	4	30	<b>762</b>	120	<b>37</b>	140	<b>43</b>	1-1/2	-	-	26.4	-	-	13.2	10.4
BHA2780	278,000	<b>81,400</b>	34,600	<b>58,800</b>	4	30	<b>762</b>	120	<b>37</b>	140	<b>43</b>	1-1/2	-	-	28.0	-	-	14.0	11.2

\* 208-230/3/60 and 460/3/60 motors are 3/4 HP

**NOTES:** TD = Temperature Difference = (Room temperature - saturated suction temperature)

**Table 2. Models BHE/BHL 60 Hz Electric Defrost**

Model	Capacity BTUH/watts 10°F TD -20°F SST		Fan Data						Standard Motor Data								Defrost Heaters						
			CFM/m <sup>3</sup> h	No.	Dia. in./mm	Air Throw ft./m		HP	Total Amps						Watts	Total Amps							
						Standard	w/ Collar		208-230/1/60		460/1/60		460	575		208-230	460	575					
								Wired	Wired	230	Wired	Wired	/3/60	/3/60	/3/60	/3/60	/3/60	/3/60					
<b>BHE Models 6 Fins Per Inch</b>																							
BHE450	45,000	13,200	9,000	15,300	2	24	610	70	21	85	26	1/2*	6.4	-	5.2	3.4	-	2.6	1.8	9,900	27.5	13.9	11.1
BHE550	55,000	16,100	9,000	15,300	2	24	610	70	21	85	26	1/2*	6.4	-	5.2	3.4	-	2.6	1.8	9,900	27.5	13.9	11.1
BHE640	64,000	18,700	12,600	21,400	3	24	610	70	21	85	26	1/2*	-	5.5	7.8	-	3.0	3.9	2.7	12,900	35.8	18.1	14.5
BHE740	74,000	21,700	12,600	21,400	3	24	610	70	21	85	26	1/2*	-	5.5	7.8	-	3.0	3.9	2.7	12,900	35.8	18.1	14.5
BHE810	81,000	23,700	16,800	28,600	4	24	610	70	21	85	26	1/2*	-	8.7	10.4	-	4.7	5.2	3.6	17,050	47.8	24.3	19.1
BHE950	95,000	27,800	16,800	28,600	4	24	610	70	21	85	26	1/2*	-	8.7	10.4	-	4.7	5.2	3.6	17,050	47.8	24.3	19.1
BHE1020	102,000	29,900	20,700	35,200	3	30	762	100	30	115	35	1	-	-	13.8	-	-	6.9	7.8	21,400	64.2	32.1	22.8
BHE1200	120,000	35,100	20,700	35,200	3	30	762	100	30	115	35	1	-	-	13.8	-	-	6.9	7.8	21,400	64.2	32.1	22.8
BHE1390	139,000	40,700	24,300	41,300	3	30	762	100	30	115	35	1-1/2	-	-	19.8	-	-	9.9	7.8	21,400	64.2	32.1	22.8
BHE1650	165,000	48,300	26,550	45,100	3	30	762	120	37	140	43	1-1/2	-	-	21.0	-	-	10.5	8.4	33,600	87.2	47.5	34.9
BHE2120	212,000	62,100	35,400	60,200	4	30	762	120	37	140	43	1-1/2	-	-	28.0	-	-	14.0	11.2	49,600	128.4	70.0	56.0
<b>BHL Models 4 Fins Per Inch</b>																							
BHL400	40,000	11,700	9,400	16,000	2	24	610	70	21	85	26	1/2*	6.4	-	5.2	3.4	-	2.6	1.8	9,900	27.5	13.9	11.1
BHL480	48,000	14,100	9,400	16,000	2	24	610	70	21	85	26	1/2*	6.4	-	5.2	3.4	-	2.6	1.8	9,900	27.5	13.9	11.1
BHL560	56,000	16,400	13,200	22,400	3	24	610	70	21	85	26	1/2*	-	5.5	7.8	-	3.0	3.9	2.7	12,900	35.8	18.1	14.5
BHL650	65,000	19,000	13,200	22,400	3	24	610	70	21	85	26	1/2*	-	5.5	7.8	-	3.0	3.9	2.7	12,900	35.8	18.1	14.5
BHL710	71,000	20,800	17,600	29,900	4	24	610	70	21	85	26	1/2*	-	8.7	10.4	-	4.7	5.2	3.6	17,050	47.8	24.3	19.1
BHL840	84,000	24,600	17,600	29,900	4	24	610	70	21	85	26	1/2*	-	8.7	10.4	-	4.7	5.2	3.6	17,050	47.8	24.3	19.1
BHL890	89,000	26,100	21,600	36,700	3	30	762	100	30	115	35	1	-	-	13.8	-	-	6.9	7.8	21,400	64.2	32.1	22.8
BHL1050	105,000	30,800	21,600	36,700	3	30	762	100	30	115	35	1	-	-	13.8	-	-	6.9	7.8	21,400	64.2	32.1	22.8
BHL1220	122,000	35,700	25,200	42,800	3	30	762	100	30	115	35	1-1/2	-	-	19.8	-	-	9.9	7.8	21,400	64.2	32.1	22.8
BHL1440	144,000	42,200	27,600	46,900	3	30	762	120	37	140	43	1-1/2	-	-	21.0	-	-	10.5	8.4	33,600	87.2	47.5	34.9
BHL1860	186,000	54,500	36,800	62,600	4	30	762	120	37	140	43	1-1/2	-	-	28.0	-	-	14.0	11.2	49,600	128.4	70.0	56.0

\* 208-230/3/60 and 460/3/60 motors are 3/4 HP

NOTES: TD = Temperature Difference = (Room temperature - saturated suction temperature)

### Capacity Correction Factors for Electric and Hot Gas Defrost Units

Saturated Suction Temperature °F	+20	-10	-20	-30	-40
Saturated Suction Temperature °C	-7	-23	-29	-34	-40
Multiply Capacity By	1.15	1.04	1.00	0.90	0.80

# 60 Hz Performance

**Table 3. Models BHG/BHF 60 Hz Hot Gas Defrost**

Model	Capacity BTUH/watts 10°F TD -20°F SST		Fan Data						Standard Motor Data								Drain Pan Heaters (Std.)†						
			CFM/m³h		No.	Dia. in./mm		Air Throw ft./m		HP	Total Amps						Watts	Total Amps					
											208-230/1/60 Wired 1-Phase	208-230/3/60 Wired 3-Phase	460/1/60 Wired 1-Phase	460/1/60 Wired 3-Phase	460/3/60	575/3/60		208-230/1/60	460/1/60	575/1/60			
<b>BHG Models 6 Fins Per Inch</b>																							
BHG450	45,000	13,200	9,000	15,300	2	24	610	70	21	85	26	1/2*	6.4	-	5.2	3.4	-	2.6	1.8	2,100	9.2	4.6	3.7
BHG550	55,000	16,100	9,000	15,300	2	24	610	70	21	85	26	1/2*	6.4	-	5.2	3.4	-	2.6	1.8	2,100	9.2	4.6	3.7
BHG640	64,000	18,700	12,600	21,400	3	24	610	70	21	85	26	1/2*	-	5.5	7.8	-	3.0	3.9	2.7	2,700	11.8	5.9	4.7
BHG740	74,000	21,700	12,600	21,400	3	24	610	70	21	85	26	1/2*	-	5.5	7.8	-	3.0	3.9	2.7	2,700	11.8	5.9	4.7
BHG810	81,000	23,700	16,800	28,600	4	24	610	70	21	85	26	1/2*	-	8.7	10.4	-	4.7	5.2	3.6	4,000	17.4	8.7	6.9
BHG950	95,000	27,800	16,800	28,600	4	24	610	70	21	85	26	1/2*	-	8.7	10.4	-	4.7	5.2	3.6	4,000	17.4	8.7	6.9
BHG1020	102,000	29,900	20,700	35,200	3	30	762	100	30	115	35	1	-	-	13.8	-	-	6.9	7.8	4,000	17.4	8.7	6.9
BHG1200	120,000	35,100	20,700	35,200	3	30	762	100	30	115	35	1	-	-	13.8	-	-	6.9	7.8	4,000	17.4	8.7	6.9
BHG1390	139,000	40,700	24,300	41,300	3	30	762	100	30	115	35	1-1/2	-	-	19.8	-	-	9.9	7.8	4,000	17.4	8.7	6.9
BHG1650	165,000	48,300	26,550	45,100	3	30	762	120	37	140	43	1-1/2	-	-	21.0	-	-	10.5	8.4	4,200	18.2	9.1	7.3
BHG2120	212,000	62,100	35,400	60,200	4	30	762	120	37	140	43	1-1/2	-	-	28.0	-	-	14.0	11.2	6,200	17.7**	13.4	10.8
<b>BHF Models 4 Fins Per Inch</b>																							
BHF400	40,000	11,700	9,400	16,000	2	24	610	70	21	85	26	1/2*	6.4	-	5.2	3.4	-	2.6	1.8	2,100	9.2	4.6	3.7
BHF480	48,000	14,100	9,400	16,000	2	24	610	70	21	85	26	1/2*	6.4	-	5.2	3.4	-	2.6	1.8	2,100	9.2	4.6	3.7
BHF560	56,000	16,400	13,200	22,400	3	24	610	70	21	85	26	1/2*	-	5.5	7.8	-	3.0	3.9	2.7	2,700	11.8	5.9	4.7
BHF650	65,000	19,000	13,200	22,400	3	24	610	70	21	85	26	1/2*	-	5.5	7.8	-	3.0	3.9	2.7	2,700	11.8	5.9	4.7
BHF710	71,000	20,800	17,600	29,900	4	24	610	70	21	85	26	1/2*	-	8.7	10.4	-	4.7	5.2	3.6	4,000	17.4	8.7	6.9
BHF840	84,000	24,600	17,600	29,900	4	24	610	70	21	85	26	1/2*	-	8.7	10.4	-	4.7	5.2	3.6	4,000	17.4	8.7	6.9
BHF890	89,000	26,100	21,600	36,700	3	30	762	100	30	115	35	1	-	-	13.8	-	-	6.9	7.8	4,000	17.4	8.7	6.9
BHF1050	105,000	30,800	21,600	36,700	3	30	762	100	30	115	35	1	-	-	13.8	-	-	6.9	7.8	4,000	17.4	8.7	6.9
BHF1220	122,000	35,700	25,200	42,800	3	30	762	100	30	115	35	1-1/2	-	-	19.8	-	-	9.9	7.8	4,000	17.4	8.7	6.9
BHF1440	144,000	42,200	27,600	46,900	3	30	762	120	37	140	43	1-1/2	-	-	21.0	-	-	10.5	8.4	4,200	18.2	9.1	7.3
BHF1860	186,000	54,500	36,800	62,600	4	30	762	120	37	140	43	1-1/2	-	-	28.0	-	-	14.0	11.2	6,200	17.7**	13.4	10.8

\* 208-230/3/60 and 460/3/60 motors are 3/4 HP

\*\* This model with 3-Phase drain pan heaters

† Hot gas drain pan available

**NOTES:** TD = Temperature Difference = (Room temperature - saturated suction temperature)

## Capacity Correction Factors for Electric and Hot Gas Defrost Units

Saturated Suction Temperature °F	+20	-10	-20	-30	-40
Saturated Suction Temperature °C	-7	-23	-29	-34	-40
Multiply Capacity By	1.15	1.04	1.00	0.90	0.80

# 60 Hz Performance

**Table 4. Models BHE/BHL 60 Hz Electric Defrost High CFM**

Model	Capacity BTUH/watts 10°F TD -20°F SST		Fan Data						Standard Motor Data			Defrost Heaters						
			CFM/m <sup>3</sup> h	No.	Dia. in./mm	Air Throw ft./m		HP	Total Amps		Watts	Total Amps						
						Standard	w/ Collar		208- 230 /3/60	460 /3/60		208- 230 /3/60	460 /3/60	575 /3/60				
<b>BHE Models 6 Fins Per Inch</b>																		
BHE450*V	49,500	<b>14,500</b>	11,300	<b>19,200</b>	2	24	<b>610</b>	85	<b>30</b>	100	<b>30</b>	2	12.0	6.0	9,900	27.5	13.9	11.1
BHE550*V	60,500	<b>17,700</b>	11,300	<b>19,200</b>	2	24	<b>610</b>	85	<b>30</b>	100	<b>30</b>	2	12.0	6.0	9,900	27.5	13.9	11.1
BHE640*V	70,400	<b>20,600</b>	15,900	<b>27,000</b>	3	24	<b>610</b>	85	<b>30</b>	100	<b>30</b>	2	18.0	9.0	12,900	35.8	18.1	14.5
BHE740*V	81,400	<b>23,800</b>	15,900	<b>27,000</b>	3	24	<b>610</b>	85	<b>30</b>	100	<b>30</b>	2	18.0	9.0	12,900	35.8	18.1	14.5
BHE810*V	89,100	<b>26,100</b>	21,200	<b>36,000</b>	4	24	<b>610</b>	85	<b>30</b>	100	<b>30</b>	2	24.0	12.0	17,050	47.8	24.3	19.5
BHE950*V	104,000	<b>30,500</b>	21,200	<b>36,000</b>	4	24	<b>610</b>	85	<b>30</b>	100	<b>30</b>	2	24.0	12.0	17,050	47.8	24.3	19.5
BHE1020*V	107,100	<b>31,400</b>	23,300	<b>39,600</b>	3	30	<b>762</b>	110	<b>30</b>	130	<b>40</b>	3	24.6	12.3	21,400	64.2	32.1	22.8
BHE1200*V	126,000	<b>36,900</b>	23,300	<b>39,600</b>	3	30	<b>762</b>	110	<b>30</b>	130	<b>40</b>	3	24.6	12.3	21,400	64.2	32.1	22.8
BHE1390*V	146,000	<b>42,800</b>	27,200	<b>46,200</b>	3	30	<b>762</b>	110	<b>30</b>	130	<b>40</b>	3	24.6	12.3	21,400	64.2	32.1	22.8
BHE1650*V	174,000	<b>51,000</b>	29,700	<b>50,500</b>	3	30	<b>762</b>	130	<b>40</b>	150	<b>50</b>	3	24.6	12.3	33,600	87.2	47.5	34.9
BHE2120*V	223,000	<b>65,300</b>	39,600	<b>67,300</b>	4	30	<b>762</b>	130	<b>40</b>	150	<b>50</b>	3	32.8	16.4	49,600	128.4	70.0	56.0
<b>BHL Models 4 Fins Per Inch</b>																		
BHL400*V	42,000	<b>12,300</b>	12,200	<b>20,700</b>	2	24	<b>610</b>	85	<b>30</b>	100	<b>30</b>	2	12.0	6.0	9,900	27.5	13.9	11.1
BHL480*V	50,400	<b>14,800</b>	12,200	<b>20,700</b>	2	24	<b>610</b>	85	<b>30</b>	100	<b>30</b>	2	12.0	6.0	9,900	27.5	13.9	11.1
BHL560*V	58,800	<b>17,200</b>	17,000	<b>28,900</b>	3	24	<b>610</b>	85	<b>30</b>	100	<b>30</b>	2	18.0	9.0	12,900	35.8	18.1	14.5
BHL650*V	68,300	<b>20,000</b>	17,000	<b>28,900</b>	3	24	<b>610</b>	85	<b>30</b>	100	<b>30</b>	2	18.0	9.0	12,900	35.8	18.1	14.5
BHL710*V	74,600	<b>21,800</b>	22,600	<b>38,400</b>	4	24	<b>610</b>	85	<b>30</b>	100	<b>30</b>	2	24.0	12.0	17,050	47.8	24.3	19.5
BHL840*V	88,200	<b>25,800</b>	22,600	<b>38,400</b>	4	24	<b>610</b>	85	<b>30</b>	100	<b>30</b>	2	24.0	12.0	17,050	47.8	24.3	19.5
BHL890*V	91,200	<b>26,700</b>	23,800	<b>40,500</b>	3	30	<b>762</b>	110	<b>30</b>	130	<b>40</b>	3	24.6	12.3	21,400	64.2	32.1	22.8
BHL1050*V	107,600	<b>31,500</b>	23,800	<b>40,500</b>	3	30	<b>762</b>	110	<b>30</b>	130	<b>40</b>	3	24.6	12.3	21,400	64.2	32.1	22.8
BHL1220*V	125,000	<b>36,600</b>	32,800	<b>55,800</b>	3	30	<b>762</b>	110	<b>30</b>	130	<b>40</b>	3	24.6	12.3	21,400	64.2	32.1	22.8
BHL1440*V	147,000	<b>43,100</b>	30,600	<b>52,000</b>	3	30	<b>762</b>	130	<b>40</b>	150	<b>50</b>	3	24.6	12.3	33,600	87.2	47.5	34.9
BHL1860*V	190,000	<b>55,600</b>	40,800	<b>69,400</b>	4	30	<b>762</b>	130	<b>40</b>	150	<b>50</b>	3	32.8	16.4	49,600	128.4	70.0	56.0

**NOTES:** High CFM models can handle external static pressure up to 1/2" of water  
 High CFM models are designed for operation below 15°F SST  
 CFM is at 0.0 external static pressure

**NOTES:** TD = Temperature Difference = (Room temperature - saturated suction temperature)

### Capacity Correction Factors for Electric and Hot Gas Defrost Units

Saturated Suction Temperature °F	+20	-10	-20	-30	-40
Saturated Suction Temperature °C	-7	-23	-29	-34	-40
Multiply Capacity By	1.15	1.04	1.00	0.90	0.80

# 60 Hz Performance

**Table 5. Models BHG/BHF 60 Hz Hot Gas Defrost High CFM**

Model	Capacity BTUH/watts 10°F TD -20°F SST	Fan Data								Standard Motor Data			Drain Pan Heaters (Std.) <sup>†</sup>			
		CFM/m <sup>3</sup> h	No.	Dia. in./mm	Air Throw ft./m		HP	Total Amps		Watts	Total Amps					
					Standard	w/ Collar		208- 230 /3/60	460 /3/60		208- 230 /1/60	460 /1/60	575 /1/60			
<b>BHG Models 6 Fins Per Inch</b>																
BHG450*V	49,500 <b>14,500</b>	11,300 <b>19,200</b>	2	24	<b>610</b>	85	<b>30</b>	100	<b>30</b>	2	12.0	6.0	2,100	9.2	4.6	3.7
BHG550*V	60,500 <b>17,700</b>	11,300 <b>19,200</b>	2	24	<b>610</b>	85	<b>30</b>	100	<b>30</b>	2	12.0	6.0	2,100	9.2	4.6	3.7
BHG640*V	70,400 <b>20,600</b>	15,900 <b>27,000</b>	3	24	<b>610</b>	85	<b>30</b>	100	<b>30</b>	2	18.0	9.0	2,700	11.8	5.9	4.7
BHG740*V	81,400 <b>23,800</b>	15,900 <b>27,000</b>	3	24	<b>610</b>	85	<b>30</b>	100	<b>30</b>	2	18.0	9.0	2,700	11.8	5.9	4.7
BHG810*V	89,100 <b>26,100</b>	21,200 <b>36,000</b>	4	24	<b>610</b>	85	<b>30</b>	100	<b>30</b>	2	24.0	12.0	4,000	17.4	8.7	6.9
BHG950*V	104,000 <b>30,500</b>	21,200 <b>36,000</b>	4	24	<b>610</b>	85	<b>30</b>	100	<b>30</b>	2	24.0	12.0	4,000	17.4	8.7	6.9
BHG1020*V	107,100 <b>31,400</b>	23,300 <b>39,600</b>	3	30	<b>762</b>	110	<b>30</b>	130	<b>40</b>	3	24.6	12.3	4,000	17.4	8.7	6.9
BHG1200*V	126,000 <b>36,900</b>	23,300 <b>39,600</b>	3	30	<b>762</b>	110	<b>30</b>	130	<b>40</b>	3	24.6	12.3	4,000	17.4	8.7	6.9
BHG1390*V	146,000 <b>42,800</b>	27,200 <b>46,200</b>	3	30	<b>762</b>	110	<b>30</b>	130	<b>40</b>	3	24.6	12.3	4,000	17.4	8.7	6.9
BHG1650*V	174,000 <b>51,000</b>	29,700 <b>50,500</b>	3	30	<b>762</b>	130	<b>40</b>	150	<b>50</b>	3	24.6	12.3	4,200	18.2	9.1	7.3
BHG2120*V	223,000 <b>65,300</b>	39,600 <b>67,300</b>	4	30	<b>762</b>	130	<b>40</b>	150	<b>50</b>	3	32.8	16.4	6,200	17.7*	13.4	10.8
<b>BHF Models 4 Fins Per Inch</b>																
BHF400*V	42,000 <b>12,300</b>	12,200 <b>20,700</b>	2	24	<b>610</b>	85	<b>30</b>	100	<b>30</b>	2	12.0	6.0	2,100	9.2	4.6	3.7
BHF480*V	50,400 <b>14,800</b>	12,200 <b>20,700</b>	2	24	<b>610</b>	85	<b>30</b>	100	<b>30</b>	2	12.0	6.0	2,100	9.2	4.6	3.7
BHF560*V	58,800 <b>17,200</b>	17,000 <b>28,900</b>	3	24	<b>610</b>	85	<b>30</b>	100	<b>30</b>	2	18.0	9.0	2,700	11.8	5.9	4.7
BHF650*V	68,300 <b>20,000</b>	17,000 <b>28,900</b>	3	24	<b>610</b>	85	<b>30</b>	100	<b>30</b>	2	18.0	9.0	2,700	11.8	5.9	4.7
BHF710*V	74,600 <b>21,800</b>	22,600 <b>38,400</b>	4	24	<b>610</b>	85	<b>30</b>	100	<b>30</b>	2	24.0	12.0	4,000	17.4	8.7	6.9
BHF840*V	88,200 <b>25,800</b>	22,600 <b>38,400</b>	4	24	<b>610</b>	85	<b>30</b>	100	<b>30</b>	2	24.0	12.0	4,000	17.4	8.7	6.9
BHF890*V	91,200 <b>26,700</b>	23,800 <b>40,500</b>	3	30	<b>762</b>	110	<b>30</b>	130	<b>40</b>	3	24.6	12.3	4,000	17.4	8.7	6.9
BHF1050*V	107,600 <b>31,500</b>	23,800 <b>40,500</b>	3	30	<b>762</b>	110	<b>30</b>	130	<b>40</b>	3	24.6	12.3	4,000	17.4	8.7	6.9
BHF1220*V	125,000 <b>36,600</b>	32,800 <b>55,800</b>	3	30	<b>762</b>	110	<b>30</b>	130	<b>40</b>	3	24.6	12.3	4,000	17.4	8.7	6.9
BHF1440*V	147,000 <b>43,100</b>	30,600 <b>52,000</b>	3	30	<b>762</b>	130	<b>40</b>	150	<b>50</b>	3	24.6	12.3	4,200	18.2	9.1	7.3
BHF1860*V	190,000 <b>55,600</b>	40,800 <b>69,400</b>	4	30	<b>762</b>	130	<b>40</b>	150	<b>50</b>	3	32.8	16.4	6,200	17.7*	13.4	10.8

\* This model with 3-Phase drain pan heaters

<sup>†</sup> Hot gas drain pan available

**NOTES:** High CFM models can handle external static pressure up to 1/2" of water

High CFM models are designed for operation below 15°F SST

CFM is at 0.0 external static pressure

**NOTES:** TD = Temperature Difference = (Room temperature - saturated suction temperature)

## Capacity Correction Factors for Electric and Hot Gas Defrost Units

Saturated Suction Temperature °F	+20	-10	-20	-30	-40
Saturated Suction Temperature °C	-7	-23	-29	-34	-40
Multiply Capacity By	1.15	1.04	1.00	0.90	0.80



# 50 Hz Performance

**Table 6. Model BHA 50 Hz Air Defrost**

Model	Capacity BTUH/watts 6°C TD -4°C SST		Fan Data							Standard Motor Data						
			CFM/m <sup>3</sup> h	No.	Dia. in./mm	Air Throw ft./m		HP	Total Amps							
						Standard	w/ Collar		220/1/50 Wired 1-Phase	380/1/50 Wired 1-Phase		380 /3/50 Wired 3-Phase				
<b>BHA Models 6 Fins Per Inch</b>																
BHA520	47,800	<b>14,000</b>	8,100	<b>23,400</b>	2	24	<b>610</b>	60	<b>18</b>	80	<b>24</b>	1/2*	6.4	3.4	-	2.6
BHA630	58,000	<b>17,000</b>	8,100	<b>23,400</b>	2	24	<b>610</b>	60	<b>18</b>	80	<b>24</b>	1/2*	6.4	3.4	-	2.6
BHA750	69,000	<b>20,200</b>	11,300	<b>32,700</b>	3	24	<b>610</b>	60	<b>18</b>	80	<b>24</b>	1/2*	9.6	-	3.0	3.9
BHA850	78,200	<b>22,900</b>	11,300	<b>32,700</b>	3	24	<b>610</b>	60	<b>18</b>	80	<b>24</b>	1/2*	9.6	-	3.0	3.9
BHA930	85,600	<b>25,100</b>	15,100	<b>43,800</b>	4	24	<b>610</b>	60	<b>18</b>	80	<b>24</b>	1/2*	12.8	-	4.7	5.2
BHA1100	101,200	<b>29,600</b>	15,100	<b>43,800</b>	4	24	<b>610</b>	60	<b>18</b>	80	<b>24</b>	1/2*	12.8	-	4.7	5.2
BHA1170	107,600	<b>31,500</b>	18,600	<b>53,900</b>	3	30	<b>762</b>	90	<b>27</b>	100	<b>30</b>	1	-	-	-	6.9
BHA1400	128,800	<b>37,700</b>	18,600	<b>53,900</b>	3	30	<b>762</b>	90	<b>27</b>	100	<b>30</b>	1	-	-	-	6.9
BHA1610	148,100	<b>43,400</b>	21,900	<b>63,200</b>	3	30	<b>762</b>	90	<b>27</b>	100	<b>30</b>	1-1/2	-	-	-	9.9
BHA1900	174,800	<b>51,200</b>	23,900	<b>69,000</b>	3	30	<b>762</b>	110	<b>34</b>	130	<b>40</b>	1-1/2	-	-	-	10.5
BHA2200	202,400	<b>59,300</b>	27,400	<b>79,100</b>	4	30	<b>762</b>	110	<b>34</b>	130	<b>40</b>	1-1/2	-	-	-	13.2
BHA2440	224,500	<b>65,800</b>	31,900	<b>92,100</b>	4	30	<b>762</b>	110	<b>34</b>	130	<b>40</b>	1-1/2	-	-	-	14.0
<b>BHA Models 8 Fins Per Inch</b>																
BHA2160	198,700	<b>58,200</b>	23,400	<b>67,500</b>	3	30	<b>762</b>	110	<b>34</b>	130	<b>40</b>	1-1/2	-	-	-	10.5
BHA2500	230,000	<b>67,400</b>	26,700	<b>77,000</b>	4	30	<b>762</b>	110	<b>34</b>	130	<b>40</b>	1-1/2	-	-	-	13.2
BHA2780	255,800	<b>74,900</b>	31,200	<b>90,000</b>	4	30	<b>762</b>	110	<b>34</b>	130	<b>40</b>	1-1/2	-	-	-	14.0

\* 380/3/50 motors are 3/4 HP

**NOTES:** TD = Temperature Difference = (Room temperature - saturated suction temperature)

## 50 Hz Performance

**Table 7. Models BHE/BHL 50 Hz Electric Defrost**

Model	Capacity BTUH/watts 6°C TD -29°C SST	Fan Data							Standard Motor Data				Defrost Heaters	
		CFM/m <sup>3</sup> h		No.	Dia. in./mm	Air Throw ft./m		HP	Total Amps			Watts	Total Amps	
						Standard	w/ Collar		380/1/50		380 /3/50		380 /3/50	
		Wired 1-Phase	Wired 3-Phase											
<b>BHE Models 6 Fins Per Inch</b>														
BHE450	41,400 <b>12,100</b>	8,100 <b>23,400</b>	2	24 <b>610</b>	60 <b>18</b>	80 <b>24</b>	1/2*	3.4	-	2.6	6,760	11.5		
BHE550	50,600 <b>14,800</b>	8,100 <b>23,400</b>	2	24 <b>610</b>	60 <b>18</b>	80 <b>24</b>	1/2*	3.4	-	2.6	6,760	11.5		
BHE640	58,900 <b>17,300</b>	11,300 <b>32,700</b>	3	24 <b>610</b>	60 <b>18</b>	80 <b>24</b>	1/2*	-	3.0	3.9	8,800	15.0		
BHE740	68,100 <b>19,900</b>	11,300 <b>32,700</b>	3	24 <b>610</b>	60 <b>18</b>	80 <b>24</b>	1/2*	-	3.0	3.9	8,800	15.0		
BHE810	74,500 <b>21,800</b>	15,100 <b>43,800</b>	4	24 <b>610</b>	60 <b>18</b>	80 <b>24</b>	1/2*	-	4.7	5.2	11,640	20.1		
BHE950	87,400 <b>25,600</b>	15,100 <b>43,800</b>	4	24 <b>610</b>	60 <b>18</b>	80 <b>24</b>	1/2*	-	4.7	5.2	11,640	20.1		
BHE1020	93,800 <b>27,500</b>	18,600 <b>53,900</b>	3	30 <b>762</b>	90 <b>27</b>	100 <b>30</b>	1	-	-	6.9	14,600	26.5		
BHE1200	110,400 <b>32,300</b>	18,600 <b>53,900</b>	3	30 <b>762</b>	90 <b>27</b>	100 <b>30</b>	1	-	-	6.9	14,600	26.5		
BHE1390	127,900 <b>37,500</b>	21,900 <b>63,200</b>	3	30 <b>762</b>	90 <b>27</b>	100 <b>30</b>	1-1/2	-	-	9.9	14,600	26.5		
BHE1650	151,800 <b>44,500</b>	23,900 <b>69,000</b>	3	30 <b>762</b>	110 <b>34</b>	130 <b>40</b>	1-1/2	-	-	10.5	22,930	39.2		
BHE2120	195,000 <b>57,100</b>	31,900 <b>92,100</b>	4	30 <b>762</b>	110 <b>34</b>	130 <b>40</b>	1-1/2	-	-	14.0	33,850	57.8		
<b>BHL Models 4 Fins Per Inch</b>														
BHL400	36,800 <b>10,800</b>	8,500 <b>24,500</b>	2	24 <b>610</b>	60 <b>18</b>	80 <b>24</b>	1/2*	3.4	-	2.6	6,760	11.5		
BHL480	44,200 <b>12,900</b>	8,500 <b>24,500</b>	2	24 <b>610</b>	60 <b>18</b>	80 <b>24</b>	1/2*	3.4	-	2.6	6,760	11.5		
BHL560	51,500 <b>15,100</b>	11,900 <b>34,300</b>	3	24 <b>610</b>	60 <b>18</b>	80 <b>24</b>	1/2*	-	3.0	3.9	8,800	15.0		
BHL650	59,800 <b>17,500</b>	11,900 <b>34,300</b>	3	24 <b>610</b>	60 <b>18</b>	80 <b>24</b>	1/2*	-	3.0	3.9	8,800	15.0		
BHL710	65,300 <b>19,100</b>	15,900 <b>45,700</b>	4	24 <b>610</b>	60 <b>18</b>	80 <b>24</b>	1/2*	-	4.7	5.2	11,640	20.1		
BHL840	77,300 <b>22,600</b>	15,900 <b>45,700</b>	4	24 <b>610</b>	60 <b>18</b>	80 <b>24</b>	1/2*	-	4.7	5.2	11,640	20.1		
BHL890	81,900 <b>24,000</b>	19,500 <b>56,200</b>	3	30 <b>762</b>	90 <b>27</b>	100 <b>30</b>	1	-	-	6.9	14,600	26.5		
BHL1050	96,600 <b>28,300</b>	19,500 <b>56,200</b>	3	30 <b>762</b>	90 <b>27</b>	100 <b>30</b>	1	-	-	6.9	14,600	26.5		
BHL1220	112,200 <b>32,900</b>	22,700 <b>65,500</b>	3	30 <b>762</b>	90 <b>27</b>	100 <b>30</b>	1-1/2	-	-	9.9	14,600	26.5		
BHL1440	132,500 <b>38,800</b>	24,900 <b>71,800</b>	3	30 <b>762</b>	110 <b>34</b>	130 <b>40</b>	1-1/2	-	-	10.5	22,930	39.2		
BHL1860	171,100 <b>50,100</b>	33,100 <b>95,800</b>	4	30 <b>762</b>	110 <b>34</b>	130 <b>40</b>	1-1/2	-	-	14.0	33,850	57.8		

\* 380/3/50 motors are 3/4 HP

**NOTES:** TD = Temperature Difference = (Room temperature - saturated suction temperature)

### Capacity Correction Factors for Electric and Hot Gas Defrost Units

Saturated Suction Temperature °F	+20	-10	-20	-30	-40
Saturated Suction Temperature °C	-7	-23	-29	-34	-40
Multiply Capacity By	1.15	1.04	1.00	0.90	0.80

# 50 Hz Performance

**Table 8. Models BHG/BHF 50 Hz Hot Gas Defrost**

Model	Capacity BTUH/watts 6°C TD -29°C SST		Fan Data						Standard Motor Data					Defrost Heaters (Std.) <sup>†</sup>				
			CFM/m <sup>3</sup> h	No.	Dia. in./mm	Air Throw ft./m		HP	Total Amps			Watts	Total Amps					
						Standard	w/ Collar		220/1/50 Wired 1-Phase	380/1/50 Wired 1-Phase	380 /3/50 Wired 3-Phase			380 /1/50				
<b>BHG Models 6 Fins Per Inch</b>																		
BHG450	41,400	<b>12,100</b>	8,100	<b>23,400</b>	2	24	<b>610</b>	60	<b>18</b>	80	<b>24</b>	1/2*	6.4	3.4	-	2.6	1,430	3.8
BHG550	50,600	<b>14,800</b>	8,100	<b>23,400</b>	2	24	<b>610</b>	60	<b>18</b>	80	<b>24</b>	1/2*	6.4	3.4	-	2.6	1,430	3.8
BHG640	58,900	<b>17,300</b>	11,300	<b>32,700</b>	3	24	<b>610</b>	60	<b>18</b>	80	<b>24</b>	1/2*	9.6	-	3.0	3.9	1,840	4.9
BHG740	68,100	<b>19,900</b>	11,300	<b>32,700</b>	3	24	<b>610</b>	60	<b>18</b>	80	<b>24</b>	1/2*	9.6	-	3.0	3.9	1,840	4.9
BHG810	74,500	<b>21,800</b>	15,100	<b>43,800</b>	4	24	<b>610</b>	60	<b>18</b>	80	<b>24</b>	1/2*	12.8	-	4.7	5.2	2,730	7.2
BHG950	87,400	<b>25,600</b>	15,100	<b>43,800</b>	4	24	<b>610</b>	60	<b>18</b>	80	<b>24</b>	1/2*	12.8	-	4.7	5.2	2,730	7.2
BHG1020	93,800	<b>27,500</b>	18,600	<b>53,900</b>	3	30	<b>762</b>	90	<b>27</b>	100	<b>30</b>	1	-	-	-	6.9	2,730	7.2
BHG1200	110,400	<b>32,300</b>	18,600	<b>53,900</b>	3	30	<b>762</b>	90	<b>27</b>	100	<b>30</b>	1	-	-	-	6.9	2,730	7.2
BHG1390	127,900	<b>37,500</b>	21,900	<b>63,200</b>	3	30	<b>762</b>	90	<b>27</b>	100	<b>30</b>	1-1/2	-	-	-	9.9	2,730	7.2
BHG1650	151,800	<b>44,500</b>	23,900	<b>69,000</b>	3	30	<b>762</b>	110	<b>34</b>	130	<b>40</b>	1-1/2	-	-	-	10.5	2,870	7.5
BHG2120	195,000	<b>57,100</b>	31,900	<b>92,100</b>	4	30	<b>762</b>	110	<b>34</b>	130	<b>40</b>	1-1/2	-	-	-	14.0	4,230	11.1
<b>BHF Models 4 Fins Per Inch</b>																		
BHF400	36,800	<b>10,800</b>	8,500	<b>24,500</b>	2	24	<b>610</b>	60	<b>18</b>	80	<b>24</b>	1/2*	6.4	3.4	-	2.6	1,430	3.8
BHF480	44,200	<b>12,900</b>	8,500	<b>24,500</b>	2	24	<b>610</b>	60	<b>18</b>	80	<b>24</b>	1/2*	6.4	3.4	-	2.6	1,430	3.8
BHF560	51,500	<b>15,100</b>	11,900	<b>34,300</b>	3	24	<b>610</b>	60	<b>18</b>	80	<b>24</b>	1/2*	9.6	-	3.0	3.9	1,840	4.9
BHF650	59,800	<b>17,500</b>	11,900	<b>34,300</b>	3	24	<b>610</b>	60	<b>18</b>	80	<b>24</b>	1/2*	9.6	-	3.0	3.9	1,840	4.9
BHF710	65,300	<b>19,100</b>	15,900	<b>45,700</b>	4	24	<b>610</b>	60	<b>18</b>	80	<b>24</b>	1/2*	12.8	-	4.7	5.2	2,730	7.2
BHF840	77,300	<b>22,600</b>	15,900	<b>45,700</b>	4	24	<b>610</b>	60	<b>18</b>	80	<b>24</b>	1/2*	12.8	-	4.7	5.2	2,730	7.2
BHF890	81,900	<b>24,000</b>	19,500	<b>56,200</b>	3	30	<b>762</b>	90	<b>27</b>	100	<b>30</b>	1	-	-	-	6.9	2,730	7.2
BHF1050	96,600	<b>28,300</b>	19,500	<b>56,200</b>	3	30	<b>762</b>	90	<b>27</b>	100	<b>30</b>	1	-	-	-	6.9	2,730	7.2
BHF1220	112,200	<b>32,900</b>	22,700	<b>65,500</b>	3	30	<b>762</b>	90	<b>27</b>	100	<b>30</b>	1-1/2	-	-	-	9.9	2,730	7.2
BHF1440	132,500	<b>38,800</b>	24,900	<b>71,800</b>	3	30	<b>762</b>	110	<b>34</b>	130	<b>40</b>	1-1/2	-	-	-	10.5	2,870	7.5
BHF1860	171,100	<b>50,100</b>	33,100	<b>95,800</b>	4	30	<b>762</b>	110	<b>34</b>	130	<b>40</b>	1-1/2	-	-	-	14.0	4,230	11.1

\* 380/3/50 motors are 3/4 HP

† Hot gas drain pan available

NOTES: TD = Temperature Difference = (Room temperature - saturated suction temperature)

### Capacity Correction Factors for Electric and Hot Gas Defrost Units

Saturated Suction Temperature °F	+20	-10	-20	-30	-40
Saturated Suction Temperature °C	-7	-23	-29	-34	-40
Multiply Capacity By	1.15	1.04	1.00	0.90	0.80

## 50 Hz Performance

**Table 9. Models BHE/BHL 50 Hz Electric Defrost High CFM**

Model	Capacity BTUH/watts 6°C TD -29°C SST		Fan Data						Standard Motor Data		Defrost Heaters				
			CFM/m <sup>3</sup> h	No.	Dia. in./mm	Air Throw ft./m		HP	Total Amps  380 /3/50	Watts	Total Amps  380/3/50				
						Standard	w/ Collar								
<b>BHE Models 6 Fins Per Inch</b>															
BHE450*V	45,500	<b>13,300</b>	10,200	<b>17,300</b>	2	24	<b>610</b>	80	<b>24</b>	90	<b>27</b>	2	6.0	6,760	11.5
BHE550*V	55,700	<b>16,300</b>	10,200	<b>17,300</b>	2	24	<b>610</b>	80	<b>24</b>	90	<b>27</b>	2	6.0	6,760	11.5
BHE640*V	64,800	<b>19,000</b>	14,300	<b>24,300</b>	3	24	<b>610</b>	80	<b>24</b>	90	<b>27</b>	2	9.0	8,800	15.0
BHE740*V	74,900	<b>21,900</b>	14,300	<b>24,300</b>	3	24	<b>610</b>	80	<b>24</b>	90	<b>27</b>	2	9.0	8,800	15.0
BHE810*V	82,000	<b>24,000</b>	19,100	<b>32,500</b>	4	24	<b>610</b>	80	<b>24</b>	90	<b>27</b>	2	12.0	11,640	20.1
BHE950*V	95,700	<b>28,000</b>	19,100	<b>32,500</b>	4	24	<b>610</b>	80	<b>24</b>	90	<b>27</b>	2	12.0	11,640	20.1
BHE1020*V	98,500	<b>28,800</b>	21,000	<b>35,700</b>	3	30	<b>762</b>	100	<b>30</b>	120	<b>37</b>	3	12.3	14,600	26.5
BHE1200*V	115,900	<b>33,900</b>	21,000	<b>35,700</b>	3	30	<b>762</b>	100	<b>30</b>	120	<b>37</b>	3	12.3	14,600	26.5
BHE1390*V	134,300	<b>39,300</b>	24,500	<b>41,700</b>	3	30	<b>762</b>	100	<b>30</b>	120	<b>37</b>	3	12.3	14,600	26.5
BHE1650*V	160,100	<b>46,900</b>	26,700	<b>45,400</b>	3	30	<b>762</b>	120	<b>37</b>	140	<b>43</b>	3	12.3	22,930	39.2
BHE2120*V	205,200	<b>60,100</b>	35,700	<b>60,700</b>	4	30	<b>762</b>	120	<b>37</b>	140	<b>43</b>	3	16.4	33,850	57.8
<b>BHL Models 4 Fins Per Inch</b>															
BHL400*V	38,600	<b>11,300</b>	11,000	<b>18,700</b>	2	24	<b>610</b>	80	<b>24</b>	90	<b>27</b>	2	6.0	6,760	11.5
BHL480*V	46,400	<b>13,600</b>	11,000	<b>18,700</b>	2	24	<b>610</b>	80	<b>24</b>	90	<b>27</b>	2	6.0	6,760	11.5
BHL560*V	54,100	<b>15,800</b>	15,300	<b>26,000</b>	3	24	<b>610</b>	80	<b>24</b>	90	<b>27</b>	2	9.0	8,800	15.0
BHL650*V	62,800	<b>18,400</b>	15,300	<b>26,000</b>	3	24	<b>610</b>	80	<b>24</b>	90	<b>27</b>	2	9.0	8,800	15.0
BHL710*V	68,600	<b>20,100</b>	20,400	<b>34,700</b>	4	24	<b>610</b>	80	<b>24</b>	90	<b>27</b>	2	12.0	11,640	20.1
BHL840*V	81,100	<b>23,800</b>	20,400	<b>34,700</b>	4	24	<b>610</b>	80	<b>24</b>	90	<b>27</b>	2	12.0	11,640	20.1
BHL890*V	83,900	<b>24,600</b>	21,400	<b>36,400</b>	3	30	<b>762</b>	100	<b>30</b>	120	<b>37</b>	3	12.3	14,600	26.5
BHL1050*V	99,000	<b>29,000</b>	21,400	<b>36,400</b>	3	30	<b>762</b>	100	<b>30</b>	120	<b>37</b>	3	12.3	14,600	26.5
BHL1220*V	115,000	<b>33,700</b>	29,500	<b>50,200</b>	3	30	<b>762</b>	100	<b>30</b>	120	<b>37</b>	3	12.3	14,600	26.5
BHL1440*V	135,200	<b>39,600</b>	27,600	<b>46,900</b>	3	30	<b>762</b>	120	<b>37</b>	140	<b>43</b>	3	12.3	22,930	39.2
BHL1860*V	174,800	<b>51,200</b>	36,700	<b>62,400</b>	4	30	<b>762</b>	120	<b>37</b>	140	<b>43</b>	3	16.4	33,850	57.8

**NOTES:** High CFM models can handle external static pressure up to 1/2" of water  
 High CFM models are designed for operation below 15°F SST  
 CFM is at 0.0 external static pressure

**NOTES:** TD = Temperature Difference = (Room temperature - saturated suction temperature)

### Capacity Correction Factors for Electric and Hot Gas Defrost Units

Saturated Suction Temperature °F	+20	-10	-20	-30	-40
Saturated Suction Temperature °C	-7	-23	-29	-34	-40
Multiply Capacity By	1.15	1.04	1.00	0.90	0.80

## 50 Hz Performance

**Table 10. Models BHG/BHF 50 Hz Hot Gas Defrost High CFM**

Model	Capacity BTUH/watts 6°C TD -29°C SST		Fan Data						Standard Motor Data		Drain Pan Heaters (Std.)				
			CFM/m <sup>3</sup> h	No.	Dia. in./mm	Air Throw ft./m		HP	Total Amps		Watts	Total Amps			
						Standard	w/ Collar		380 /3/50	380 /1/50					
<b>BHG Models 6 Fins Per Inch</b>															
BHG450*V	45,500	<b>13,300</b>	10,200	<b>17,300</b>	2	24	<b>610</b>	80	<b>24</b>	90	<b>27</b>	2	6.0	1,430	3.8
BHG550*V	55,700	<b>16,300</b>	10,200	<b>17,300</b>	2	24	<b>610</b>	80	<b>24</b>	90	<b>27</b>	2	6.0	1,430	3.8
BHG640*V	64,800	<b>19,000</b>	14,300	<b>24,300</b>	3	24	<b>610</b>	80	<b>24</b>	90	<b>27</b>	2	9.0	1,840	4.9
BHG740*V	74,900	<b>21,900</b>	14,300	<b>24,300</b>	3	24	<b>610</b>	80	<b>24</b>	90	<b>27</b>	2	9.0	1,840	4.9
BHG810*V	82,000	<b>24,000</b>	19,100	<b>32,500</b>	4	24	<b>610</b>	80	<b>24</b>	90	<b>27</b>	2	12.0	2,730	7.2
BHG950*V	95,700	<b>28,000</b>	19,100	<b>32,500</b>	4	24	<b>610</b>	80	<b>24</b>	90	<b>27</b>	2	12.0	2,730	7.2
BHG1020*V	98,500	<b>28,800</b>	21,000	<b>35,700</b>	3	30	<b>762</b>	100	<b>30</b>	120	<b>37</b>	3	12.3	2,730	7.2
BHG1200*V	115,900	<b>33,900</b>	21,000	<b>35,700</b>	3	30	<b>762</b>	100	<b>30</b>	120	<b>37</b>	3	12.3	2,730	7.2
BHG1390*V	134,300	<b>39,300</b>	24,500	<b>41,700</b>	3	30	<b>762</b>	100	<b>30</b>	120	<b>37</b>	3	12.3	2,730	7.2
BHG1650*V	160,100	<b>46,900</b>	26,700	<b>45,400</b>	3	30	<b>762</b>	120	<b>37</b>	140	<b>43</b>	3	12.3	2,870	7.5
BHG2120*V	205,200	<b>60,100</b>	35,700	<b>60,700</b>	4	30	<b>762</b>	120	<b>37</b>	140	<b>43</b>	3	16.4	4,230	11.1
<b>BHF Models 4 Fins Per Inch</b>															
BHF400*V	38,600	<b>11,300</b>	11,000	<b>18,700</b>	2	24	<b>610</b>	80	<b>24</b>	90	<b>27</b>	2	6.0	1,430	3.8
BHF480*V	46,400	<b>13,600</b>	11,000	<b>18,700</b>	2	24	<b>610</b>	80	<b>24</b>	90	<b>27</b>	2	6.0	1,430	3.8
BHF560*V	54,100	<b>15,800</b>	15,300	<b>26,000</b>	3	24	<b>610</b>	80	<b>24</b>	90	<b>27</b>	2	9.0	1,840	4.9
BHF650*V	62,800	<b>18,400</b>	15,300	<b>26,000</b>	3	24	<b>610</b>	80	<b>24</b>	90	<b>27</b>	2	9.0	1,840	4.9
BHF710*V	68,600	<b>20,100</b>	20,400	<b>34,700</b>	4	24	<b>610</b>	80	<b>24</b>	90	<b>27</b>	2	12.0	2,730	7.2
BHF840*V	81,100	<b>23,800</b>	20,400	<b>34,700</b>	4	24	<b>610</b>	80	<b>24</b>	90	<b>27</b>	2	12.0	2,730	7.2
BHF890*V	83,900	<b>24,600</b>	21,400	<b>36,400</b>	3	30	<b>762</b>	100	<b>30</b>	120	<b>37</b>	3	12.3	2,730	7.2
BHF1050*V	99,000	<b>29,000</b>	21,400	<b>36,400</b>	3	30	<b>762</b>	100	<b>30</b>	120	<b>37</b>	3	12.3	2,730	7.2
BHF1220*V	115,000	<b>33,700</b>	29,500	<b>50,200</b>	3	30	<b>762</b>	100	<b>30</b>	120	<b>37</b>	3	12.3	2,730	7.2
BHF1440*V	135,200	<b>39,600</b>	27,600	<b>46,900</b>	3	30	<b>762</b>	120	<b>37</b>	140	<b>43</b>	3	12.3	2,870	7.5
BHF1860*V	174,800	<b>51,200</b>	36,700	<b>62,400</b>	4	30	<b>762</b>	120	<b>37</b>	140	<b>43</b>	3	16.4	4,230	11.1

**NOTES:** High CFM models can handle external static pressure up to 1/2" of water  
 High CFM models are designed for operation below 15°F SST  
 CFM is at 0.0 external static pressure

**NOTES:** TD = Temperature Difference = (Room temperature - saturated suction temperature)

### Capacity Correction Factors for Electric and Hot Gas Defrost Units

Saturated Suction Temperature °F	+20	-10	-20	-30	-40
Saturated Suction Temperature °C	-7	-23	-29	-34	-40
Multiply Capacity By	1.15	1.04	1.00	0.90	0.80

# Physical Specifications

**Table 11. Model BHA Air Defrost**

Model	No. of Fans	Connections (in.)				Approx. Net Wt. (lbs./kg.)
		Coil Inlet ODF	Suction ODF	External Equalizer ODF	Drain FPT	
<b>BHA Models 6 Fins Per Inch</b>						
BHA520	2	1-1/8	1-5/8	1/4	1-1/4	270 <b>120</b>
BHA630	2	1-1/8	1-5/8	1/4	1-1/4	300 <b>140</b>
BHA750	3	1-3/8	2-1/8	1/4	1-1/4	390 <b>180</b>
BHA850	3	1-3/8	2-1/8	1/4	1-1/4	430 <b>200</b>
BHA930	4	1-3/8	2-1/8	1/4	1-1/4	515 <b>230</b>
BHA1100	4	1-3/8	2-1/8	1/4	1-1/4	565 <b>260</b>
BHA1170	3	1-3/8	2-1/8	1/4	1-1/4	738 <b>330</b>
BHA1400	3	1-5/8	2-1/8	1/4	1-1/4	800 <b>360</b>
BHA1610	3	1-3/8 (2 conns)	2-1/8 (2 conns)	1/4 (2 conns)	1-1/4	850 <b>390</b>
BHA1900	3	1-3/8	2-5/8	1/4	1-1/4	1,160 <b>530</b>
BHA2200	4	1-3/8	2-5/8	1/4	1-1/4	1,500 <b>680</b>
BHA2440	4	1-5/8	2-5/8	1/4	1-1/4	1,600 <b>730</b>
<b>BHA Models 8 Fins Per Inch</b>						
BHA2160	3	1-3/8	2-5/8	1/4	1-1/4	1,160 <b>530</b>
BHA2500	4	1-3/8	2-5/8	1/4	1-1/4	1,500 <b>680</b>
BHA2780	4	1-3/8	2-5/8	1/4	1-1/4	1,600 <b>730</b>

# Physical Specifications

**Table 12. Model BHE/BHL Electric Defrost**

Model	No. of Fans	Connections (in.)				Approx. Net Wt. (lbs./kg.)	
		Coil Inlet ODF	Suction ODF	External Equalizer ODF	Drain FPT		
<b>BHE Models 6 Fins Per Inch</b>							
BHE450	2	1-1/8	1-5/8	1/4	1-1/4	280	<b>130</b>
BHE550	2	1-1/8	1-5/8	1/4	1-1/4	310	<b>140</b>
BHE640	3	1-3/8	2-1/8	1/4	1-1/4	405	<b>180</b>
BHE740	3	1-3/8	2-1/8	1/4	1-1/4	445	<b>200</b>
BHE810	4	1-3/8	2-1/8	1/4	1-1/4	535	<b>240</b>
BHE950	4	1-3/8	2-1/8	1/4	1-1/4	585	<b>270</b>
BHE1020	3	1-3/8	2-1/8	1/4	1-1/4	753	<b>340</b>
BHE1200	3	1-5/8	2-1/8	1/4	1-1/4	815	<b>370</b>
BHE1390	3	1-3/8 (2 conns)	2-1/8 (2 conns)	1/4 (2 conns)	1-1/4	865	<b>390</b>
BHE1650	3	1-3/8	2-5/8	1/4	1-1/4	1,175	<b>530</b>
BHE2120	4	1-5/8	2-5/8	1/4	1-1/4	1,620	<b>730</b>
<b>BHL Models 4 Fins Per Inch</b>							
BHL400	2	1-1/8	1-5/8	1/4	1-1/4	277	<b>130</b>
BHL480	2	1-1/8	1-5/8	1/4	1-1/4	306	<b>140</b>
BHL560	3	1-3/8	2-1/8	1/4	1-1/4	400	<b>180</b>
BHL650	3	1-3/8	2-1/8	1/4	1-1/4	440	<b>200</b>
BHL710	4	1-3/8	2-1/8	1/4	1-1/4	528	<b>240</b>
BHL840	4	1-3/8	2-1/8	1/4	1-1/4	578	<b>260</b>
BHL890	3	1-3/8	2-1/8	1/4	1-1/4	744	<b>340</b>
BHL1050	3	1-5/8	2-1/8	1/4	1-1/4	805	<b>370</b>
BHL1220	3	1-3/8 (2 conns)	2-1/8 (2 conns)	1/4 (2 conns)	1-1/4	854	<b>390</b>
BHL1440	3	1-3/8	2-5/8	1/4	1-1/4	1,160	<b>530</b>
BHL1860	4	1-5/8	2-5/8	1/4	1-1/4	1,600	<b>730</b>

# Physical Specifications

**Table 13. Model BHG/BHF Hot Gas Defrost**

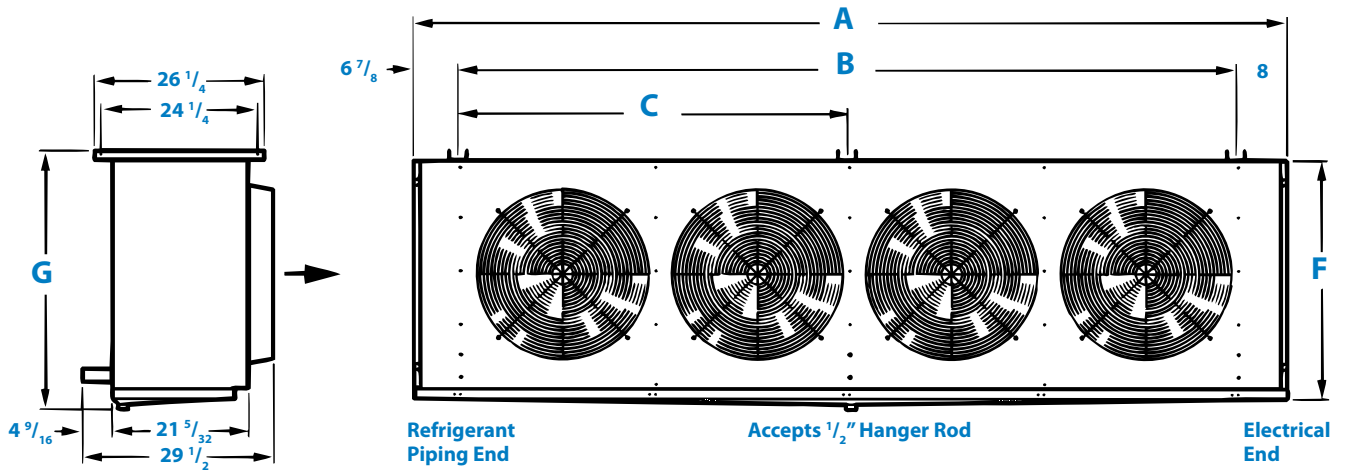
Model	No. of Fans	Connections (in.)						Approx. Net Wt. (lbs./kg.)
		Coil Inlet ODF	Suction ODF	External Equalizer ODF	Drain FPT	Hot Gas Side Port	Hot Gas Drain Pan Ref. Conn. (when supplied)	
<b>BHG Models 6 Fins Per Inch</b>								
BHG450	2	1-1/8	1-5/8	1/4	1-1/4	5/8	1-1/8	280 <b>130</b>
BHG550	2	1-1/8	1-5/8	1/4	1-1/4	5/8	1-1/8	310 <b>140</b>
BHG640	3	1-3/8	2-1/8	1/4	1-1/4	7/8	1-1/8	405 <b>180</b>
BHG740	3	1-3/8	2-1/8	1/4	1-1/4	7/8	1-1/8	445 <b>200</b>
BHG810	4	1-3/8	2-1/8	1/4	1-1/4	7/8	1-1/8	535 <b>240</b>
BHG950	4	1-3/8	2-1/8	1/4	1-1/4	7/8	1-1/8	585 <b>270</b>
BHG1020	3	1-3/8	2-1/8	1/4	1-1/4	7/8	1-3/8	753 <b>340</b>
BHG1200	3	1-5/8	2-1/8	1/4	1-1/4	1-1/8	1-3/8	815 <b>370</b>
BHG1390	3	1-3/8 (2 conns)	2-1/8 (2 conns)	1/4 (2 conns)	1-1/4	7/8 (2 conns)	1-3/8	865 <b>390</b>
BHG1650	3	1-3/8 (2 conns)	2-5/8 (2 conns)	1/4 (2 conns)	1-1/4	7/8 (2 conns)	1-5/8*	1,175 <b>530</b>
BHG2120	4	1-3/8 (2 conns)	2-5/8 (2 conns)	1/4 (2 conns)	1-1/4	7/8 (2 conns)	1-5/8*	1,620 <b>730</b>
<b>BHF Models 4 Fins Per Inch</b>								
BHF400	2	1-1/8	1-5/8	1/4	1-1/4	5/8	1-1/8	277 <b>130</b>
BHF480	2	1-1/8	1-5/8	1/4	1-1/4	5/8	1-1/8	306 <b>140</b>
BHF560	3	1-3/8	2-1/8	1/4	1-1/4	7/8	1-1/8	400 <b>180</b>
BHF650	3	1-3/8	2-1/8	1/4	1-1/4	7/8	1-1/8	440 <b>200</b>
BHF710	4	1-3/8	2-1/8	1/4	1-1/4	7/8	1-1/8	528 <b>240</b>
BHF840	4	1-3/8	2-1/8	1/4	1-1/4	7/8	1-1/8	578 <b>260</b>
BHF890	3	1-3/8	2-1/8	1/4	1-1/4	7/8	1-3/8	744 <b>340</b>
BHF1050	3	1-5/8	2-1/8	1/4	1-1/4	1-1/8	1-3/8	805 <b>370</b>
BHF1220	3	1-3/8 (2 conns)	2-1/8 (2 conns)	1/4 (2 conns)	1-1/4	7/8 (2 conns)	1-3/8	854 <b>390</b>
BHF1440	3	1-3/8 (2 conns)	2-5/8 (2 conns)	1/4 (2 conns)	1-1/4	7/8 (2 conns)	1-5/8*	1,160 <b>530</b>
BHF1860	4	1-3/8 (2 conns)	2-5/8 (2 conns)	1/4 (2 conns)	1-1/4	7/8 (2 conns)	1-5/8*	1,600 <b>730</b>

\*Opposite end connections



# Dimensional Data

**Diagram 1. All Models**



**Table 14. All Models Dimensions**

Air Defrost Models	Electric & Hot Gas Defrost Models	Dimensions (in./mm.)					
		A	B	C	F	G	
6 FPI	6 FPI	4 FPI					
520	450	400	83-3/32 <b>2,111</b>	68-1/8 <b>1,730</b>	-	37-3/16 <b>945</b>	40-11/32 <b>1,025</b>
630	550	480	83-3/32 <b>2,111</b>	68-1/8 <b>1,730</b>	-	37-3/16 <b>945</b>	40-11/32 <b>1,025</b>
750	640	560	105-5/32 <b>2,671</b>	90-3/16 <b>2,291</b>	45-3/32 <b>1,145</b>	37-3/16 <b>945</b>	40-11/32 <b>1,025</b>
850	740	650	105-5/32 <b>2,671</b>	90-3/16 <b>2,291</b>	45-3/32 <b>1,145</b>	37-3/16 <b>945</b>	40-11/32 <b>1,025</b>
930	810	710	135-7/32 <b>3,435</b>	120-1/4 <b>3,054</b>	60-1/8 <b>1,527</b>	37-3/16 <b>945</b>	40-11/32 <b>1,025</b>
1100	950	840	135-7/32 <b>3,435</b>	120-1/4 <b>3,054</b>	60-1/8 <b>1,527</b>	37-3/16 <b>945</b>	40-11/32 <b>1,025</b>

## Dimensional Data

Diagram 2. All Models

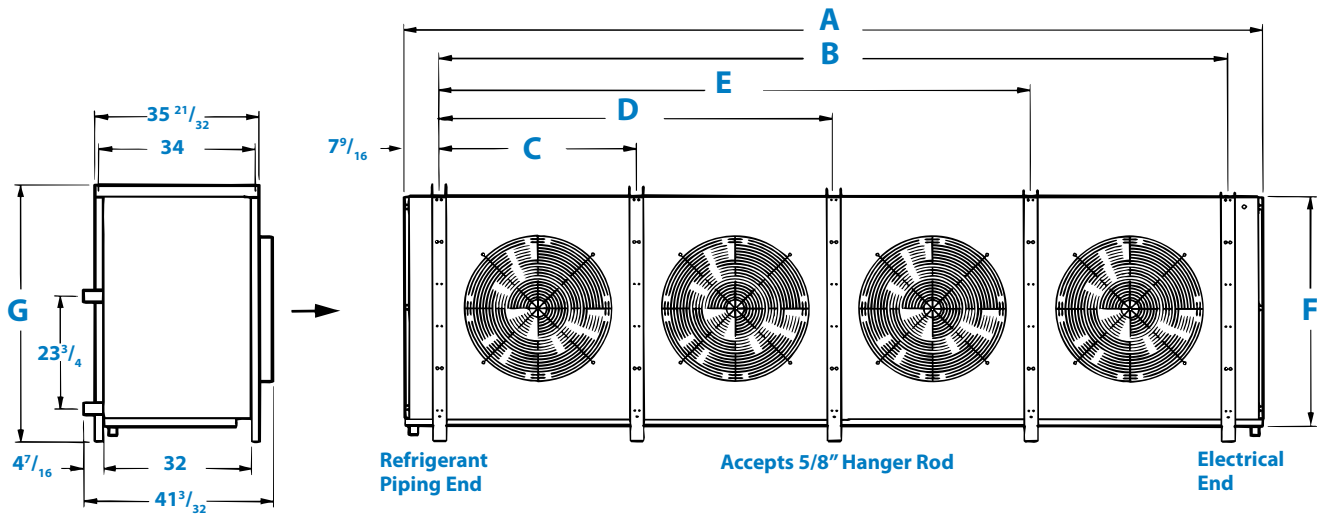


Table 15. All Models Dimensions

Air Defrost Models		Electric & Hot Gas Defrost Models		Dimensions (in./mm.)						
6 FPI	8 FPI	6 FPI	4 FPI	A	B	C	D	E	F	G
1170	-	1020	890	135-13/32 <b>3,439</b>	120-9/32 <b>3,055</b>	40-3/32 <b>1,018</b>	80-3/16 <b>2,037</b>	-	44-1/2 <b>1,130</b>	50-5/16 <b>1,278</b>
1400	-	1200	1050	135-13/32 <b>3,439</b>	120-9/32 <b>3,055</b>	40-3/32 <b>1,018</b>	80-3/16 <b>2,037</b>	-	44-1/2 <b>1,130</b>	50-5/16 <b>1,278</b>
1610	-	1390	1220	135-13/32 <b>3,439</b>	120-9/32 <b>3,055</b>	40-3/32 <b>1,018</b>	80-3/16 <b>2,037</b>	-	50-7/32 <b>1,276</b>	55-13/16 <b>1,418</b>
1900	2160	1650	1440	142-1/2 <b>3,620</b>	127-25/32 <b>3,246</b>	42-19/32 <b>1,082</b>	85-3/16 <b>2,164</b>	-	50-7/32 <b>1,276</b>	55-13/16 <b>1,418</b>
2200	2500	-	-	185-1/2 <b>4,712</b>	170-3/8 <b>4,328</b>	42-19/32 <b>1,082</b>	85-3/16 <b>2,164</b>	127-25/32 <b>3,246</b>	44-1/2 <b>1,130</b>	50-5/16 <b>1,278</b>
2440	2780	2120	1860	185-1/2 <b>4,712</b>	170-3/8 <b>4,328</b>	42-19/32 <b>1,082</b>	85-3/16 <b>2,164</b>	127-25/32 <b>3,246</b>	50-7/32 <b>1,276</b>	56-1/4 <b>1,429</b>

Table 16. Electric & Hot Gas Defrost Models Air Throw

Electric & Hot Gas Defrost Models		Standard Motor RPM	Standard HP	Air Throw	Air Throw w/ Collar	Optional High CFM Motor RPM	Optional HP	Air Throw	Air Throw w/ Collar
6 FPI	4 FPI								
450 - 950	400 - 840	850	1/2*	70	85	1,750	2	80	100
1020 - 1390	890 - 1220	850	1 & 1-1/2	100	120	1,750	3	115	145
1650 - 2120	1440 - 1860	1,140	1-1/2	120	145	1,750	3	130	150

\* 3-Phase Motors are 1140 RPM  
Air throw data based on 30 ft. ceiling height with no obstructions where velocity drops to 50 fpm

**Table 17. Standard Nozzle Selections**

Type	No. of Fans	Distributor Tube (in.)		Model	No. of Circuits	R-404A* Nozzle	R-22 Nozzle
		OD	Length				
BHA Air Defrost	2	3/16	25.5	520	14	E-4	E-2-1/2
	2	3/16	25.5	630	14	E-5	E-3
	3	3/16	25.5	750	21	C-6	C-4
	3	3/16	25.5	850	28	C-6	C-4
	4	3/16	25.5	930	21	C-8	C-4
	4	3/16	25.5	1100	28	C-10	C-5
	3	3/16	28	1170	25	C-10	C-5
	3	3/16	28	1400	34	A-12	A-8
	3	3/16	21.5	1610	19 x 2	C-6 x 2	C-4 x 2
	3	1/4	32	1900	24	C-17	C-12
	3	1/4	32	2160	19	C-20	C-12
	4	1/4	32	2200	21	C-20	C-12
	4	1/4	32	2440	32	A-20	A-15
	4	1/4	32	2550	21	C-20	C-15
4	1/4	32	2780	24	C-25	C-17	
BHE/BHL Electric Defrost	2	3/16	25.5	400/450	14	E-5	E-3
	2	3/16	25.5	480/550	14	E-8	E-4
	3	3/16	25.5	560/640	21	C-8	C-5
	3	3/16	25.5	650/740	28	C-10	C-5
	4	3/16	25.5	710/810	21	C-12	C-6
	4	3/16	25.5	840/950	28	C-15	C-8
	3	3/16	28	890/1020	25	C-15	C-8
	3	3/16	28	1050/1200	34	A-17	A-10
	3	3/16	21.5	1220/1390	19 x 2	C-10 x 2	C-5 x 2
	3	1/4	32	1440/1650	24	C-20	C-17
4	1/4	32	1860/2120	32	A-30	A-20	
BHG/BHF Hot Gas Defrost	2	3/16	25.5	400/450	14	E-5	E-3
	2	3/16	25.5	480/550	14	E-6	E-4
	3	3/16	25.5	560/640	21	C-8	C-5
	3	3/16	25.5	650/740	28	C-10	C-5
	4	3/16	25.5	710/810	21	C-12	C-6
	4	3/16	25.5	840/950	28	C-12	C-8
	3	3/16	28	890/1020	25	C-15	C-10
	3	3/16	28	1050/1200	34	A-17	A-12
	3	3/16	21.5	1220/1390	19 x 2	C-10 x 2	C-4 x 2
	3	5/16	19.5	1440/1650	16 x 2	C-12 x 2	C-8 x 2
	4	5/16	19.5	1860/2120	16 x 2	C-15 x 2	C-10 x 2

\*Also suitable for R-507, R-502, R-134A, R-401A, R-402A  
 Nozzles sized for 90-100°F liquid temp. at expansion valve. Refer to manual H-IM-64 if liquid temp. is not 90-100°F  
 Consult Bohn Application Engineering if evaporator TD is not 10° - 15°F, (room temp. - saturated suction temp.)

**Caution: Refrigeration system will not perform properly without Correct Nozzle!**

## Replacement Parts

**Table 18. Motor/Fan Blade/Guards**

Part Number	Description	
25305701	Motor 208-230V/1PH PSC	1/2 HP 850 RPM
25305801	Motor 460V/1PH PSC	1/2 HP 850 RPM
7072102	Motor 208-230/460V/3PH	3/4 HP 1140 RPM
2538000	Motor 208-230/460V/3PH	1 HP 850 RPM
25301701	Motor 208-230/460V/3PH	1-1/2 HP 850 RPM
25301801	Motor 208-230/460V/3PH	1-1/2 HP 1140 RPM
25307901	Motor 575V/3PH	1/2 HP 1140 RPM
25301901	Motor 575V/3PH	1-1/2 HP 850 RPM
25302001	Motor 575V/3PH	1-1/2 HP 1140 RPM
25301001	Motor 208-230/460V/3PH	1 HP 1140 RPM TE
25301101	Motor 208-230/460V/3PH	1-1/2 HP 1140 RPM TE
5916F	Motor 208-230/460V/3PH	2 HP 1750 RPM
5926J	Motor 208-230/460V/3PH	3 HP 1750 RPM
25308901	Motor 208-230/460V/3PH	1 HP 1140 RPM TE (LT)
22901101	Fan Blade 24"	850 RPM
5133C	Fan Blade 24"	1140 RPM
22901201	Fan Blade 24"	1750 RPM Cast Aluminium
22900101	Fan Blade 30"	1140 RPM
22900301	Fan Blade 30"	850 RPM
22900401	Fan Blade 30"	850 RPM
22901401	Fan Blade 30"	1750 RPM Cast Aluminium
22901501	Fan Blade 30"	1140 RPM
23102203	Fan Guard 24"	Beige
23102303	Fan Guard 30"	Beige

**Table 19. Coil Defrost Heaters**

Part Number	Description	Unit Voltage	Model	Wire Lead Color Code
24711201	Heater 230V 1300W	208-230V & 460V	400, 450, 480, 550	Black
24711202	Heater 230V 1700W	208-230V & 460V	560, 640, 650, 740	Black
24711203	Heater 230V 2300W	208-230V & 460V	710, 810, 840, 890, 950, 1020, 1050, 1200, 1220, 1390	Black
24711801	Heater 288V 1300W	575V	400, 450, 480, 550	Black, Red
24711802	Heater 288V 1700W	575V	560, 640, 650, 740	Black, Red
24711803	Heater 288V 2300W	575V	710, 810, 840, 890, 950, 1020, 1050, 1200, 1220, 1390	Black, Red
23308101	Heater Clip	-	400-1390	-
24712301	Heater 230V 2100W	208-230V & 460V	1440, 1650	Black
24711403	Heater 230V 1550W	208-230V & 460V	1860, 2120	Black
24712302	Heater 288V 2100W	575V	1440, 1650	Black, Red
24712003	Heater 288V 1550W	575V	1860, 2120	Red
23307101	Heater Clip	-	1440-2120	-

**Table 20. Cabinet Sheet Metal**

Air Defrost Model	Electric, Hot Gas Defrost Model	Drain Pan*	Side Panel	Left Back Panel (Refrig. conn.)
520, 630	400, 450, 480, 550	40402003	40834901	40834701
750, 850	560, 640, 650, 740	40401803	40834901	40834701
930, 1100	710, 810, 840, 950	40401403	40834901	40834701
1170, 1400	890, 1020, 1050, 1200	40402103	40868201	40868101
1610	1220, 1390	40402103	40846501	40846401
1900, 2160	1440, 1650	40410403	40858401	40858601
2200, 2500	-	40410703	40858201	40858501
2440, 2780	1860, 2120	40410703	40858401	40858601

\*Includes provision to mount drain pan heater

**Table 21. Miscellaneous Components**

Part Number	Description
4131-Y	Room Thermostat
4267-W	Defrost Termination and Fan Delay Thermostat Adjustable Type
5893-Q	Defrost Termination Thermostat Adjustable Type
5708-L	Heater Limit Thermostat

**NOTES:** Contact factory for hot gas defrost components not listed

**Table 22. Drain Pan Defrost Heaters**

Part Number	Description	Unit Voltage	Model	Wire Lead Color Code
24711301	Heater 230V 1050W	208-230V & 460V	400, 450, 480, 550	Black
24711302	Heater 230V 1350W	208-230V & 460V	560, 640, 650, 740	Black
24710305	Heater 230V 2000W	208-230V & 460V	710, 810, 840, 890, 950, 1020, 1050, 1200, 1220, 1390	Black
24710306	Heater 230V 2100W	208-230V & 460V	1440, 1650	Black
24711402	Heater 230V 1550W	208-230V & 460V	1860, 2120	Black
24711901	Heater 288V 1050W	575V	400, 450, 480, 550	Black, Red
24711902	Heater 288V 1350W	575V	560, 640, 650, 740	Black, Red
24711105	Heater 575V 2000W	575V	710, 810, 840, 890, 950, 1020, 1050, 1200, 1220, 1390	Black, Red
24711106	Heater 575V 2100W	575V	1440, 1650	Black, Red
24712002	Heater 288V 1550W	575V	1860, 2120	Black, Red



Right source. Right parts. Right now.

InterLink is your link to a complete line of dependable and certified commercial refrigeration parts, accessories and innovative electronic controls for all Heatcraft Refrigeration Products (HRP) brands - including Bohn, Larkin, Climate Control and Chandler. At InterLink, we provide our wholesalers with a comprehensive selection of product solutions and innovative technologies for the installed customer base. And every product is built to ensure the same high performance standards with which all HRP brands are built — backed by a dedicated team to serve every customer need, delivering at the best lead times in the industry. Dependable. Versatile. Courteous. Finally, one simple source for all your replacement needs from a name you can trust.

## Notes





For more information on Bohn refrigeration products, contact your Sales Representative or visit us at [www.thecoldstandard.com](http://www.thecoldstandard.com).



**A Brand of Heatcraft Refrigeration Products LLC**  
2175 West Park Place Blvd. • Stone Mountain, GA • 30087  
800.537.7775 • FAX 770.465.5990

**[www.thecoldstandard.com](http://www.thecoldstandard.com)**

*Since product improvement is a continuing effort, we reserve the right to make changes in specifications without notice.*

BN-LUCTB-0508 | Version 000