

EAGLE BATH



Install manual

Steam bathroom

MODEL : WS-608P



www.eaglebath.com

- No advanced advice will be submit before we change our design and size.
- The pictures may be a little different from the real products.
- Our company keep the final explanation right.



Dear Guest,

Thank you very much for purchasing our sanitary ware. To enable you to use this product safely and effectively, please read this installation and operation manual carefully before use.

CAUTIONS

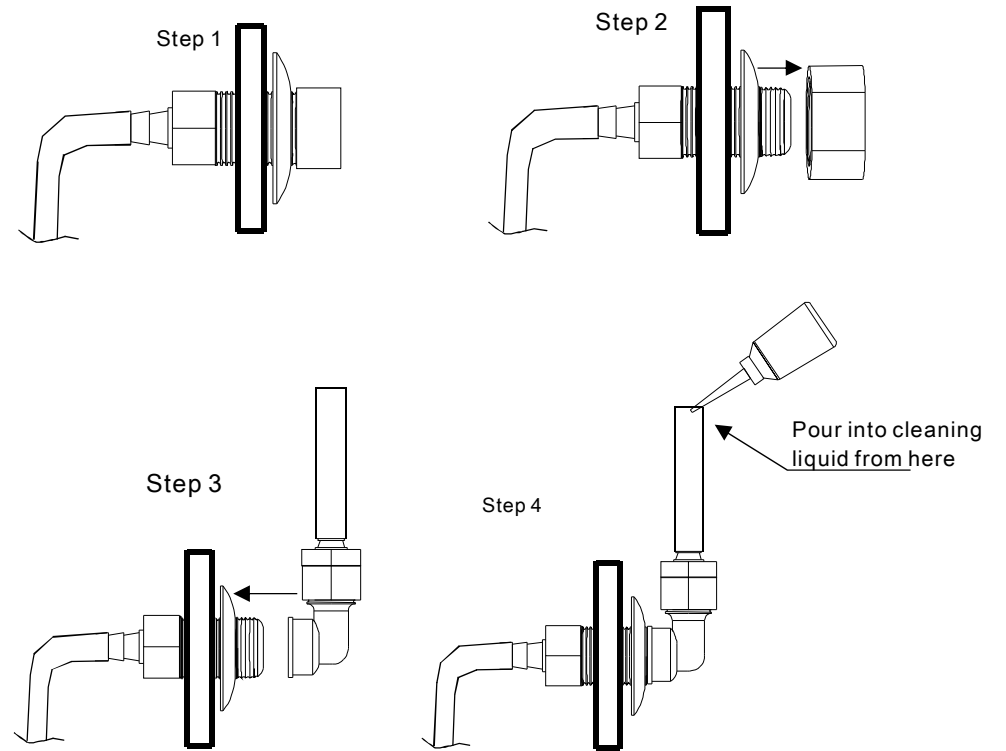
1. Please ensure that the product installed reliable electric leakage protection device, the power plug contains earth line, and make sure it is reliable earth line. Check the protect system of leakage protection each time before use.
2. Do not turn on water pump, heat pump or air bubble pump without water.
3. Before turn on water pump, check if the water level over jets 10 to 20 mm or not, make sure regular usage of water pump otherwise it will be destroy because of water leakage.
4. People with Hypertension symptom, after drink or heart disease are not allowed to use the bathtub. Children have a bath must under adult's guidance.
5. During use please noticed that don't blocked the jets and avoiding the air adjustment valve overflowing. Also keep the bathtub clean and don't let it blocked by hair or mess.
6. During use, please firstly adjust the water temperature or it will be burned.
7. The bathtub is designed with ergonomic, rise and fall changes are quite big so during usage pay more attention of be slipped.
8. Please shut down the system when not to use.

TECHNIQUE PARAMETER

Voltage	Frequency	Water Volatge	Power of steam generator	Power of water pump	Power of heat pump	Power of air pump	Storage capacity	Storage capacity
Ac 110 V(±10%)	60Hz	0.1~0.2Mpa	2.65KW	1.2HP	1KW	0.2KW	48gallon	0.22m³

CAUTIONS: Heat pump and air bubble pump is optional purchase.

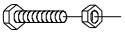
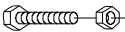

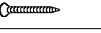


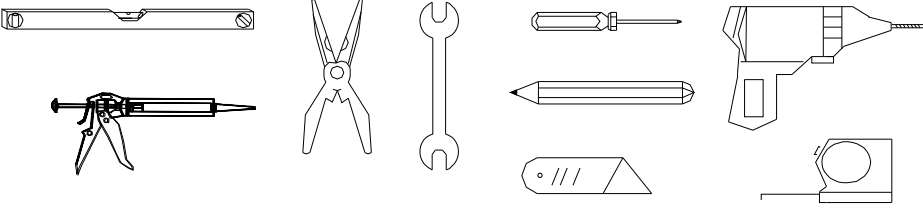
Self-clean system



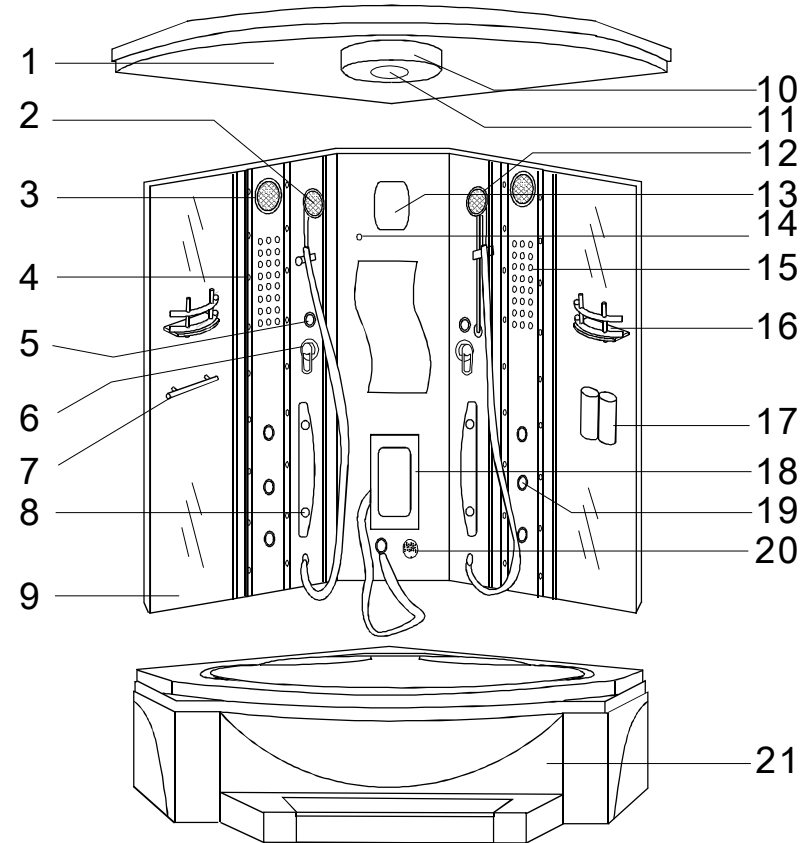
Cleaning method :

1. Clean the steam engine regularly at least once by every 2weeks or after using 20 times.
2. Inject citric acid as main cleaning liquid, add 1.5L each time. after 10 minutes, turn on and When the system turns on, press "🌫️" button to start the steam function for about 30seconds and then shut down the system. After vent the stagnant water, repeat 2 or 3 times.
3. CAUTION: The system must be shut down before injecting

Packing list

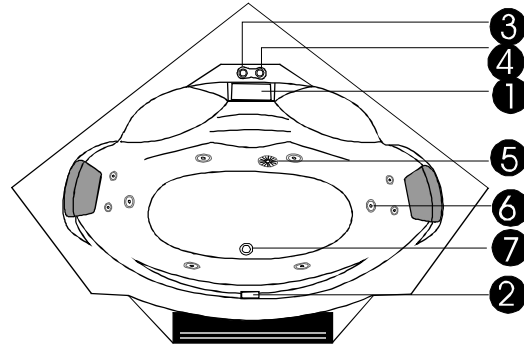
Packing 1	three pieces of ABS board, two pieces of sliding glass door, two pieces of fixed glass door.			
Packing 2	one tray, one roof, two pieces of up and down bended aluminum column, two pieces of deluxe shower holding bar, one set of foot massage, one piece of steam pipe with plastic pad.			
Spare parts list	two pieces of "T" shaped pillow, one piece of remote control, two pieces of round shaped handle, one piece of drainage cover, four pieces of plastic seal for the post, two sets of handle 22, two sets of shower, M6*25 screw(1), M6*35 screw(2), ST4*16 screw(3), ST4*25 screw(4), ST4*12 screw(5), M5*25 screw(6), one instruction.			
	SCREW (1)	M6x25		18pcs
	SCREW (2)	M6x30		10pcs
	SCREW (3)	St4x35		4pcs
	SCREW (4)	ST4x25		48pcs
	SCREW (5)	St4x20		8pcs
	SCREW (6)	M4X20		4pcs
				

CONSTRUCTION SKETCH

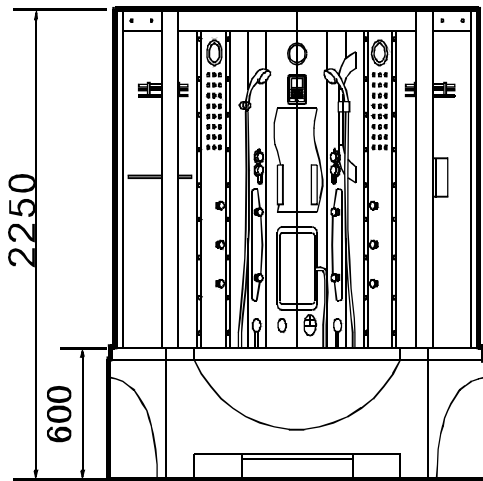


- | | | |
|--------------------------|------------------------|----------------------|
| 1、 body roof | 9、 steam room body | 16、 handrail |
| 2、 movable shower | 10、 top lamp | 17、 soap box |
| 3、 exhaust fan | 11、 top shower | 18、 foot massage |
| 4、 decorated lamp | 12、 movable shower | 19、 nozzle |
| 5、 function switch | 13、 control panel | 20、 Steam outlet box |
| 6、 cold/hot water switch | 14、 temperature sensor | 21、 bottom bathtub |
| 7、 towel handrail | 15、 decorated lamp | |
| 8、 nozzle | | |

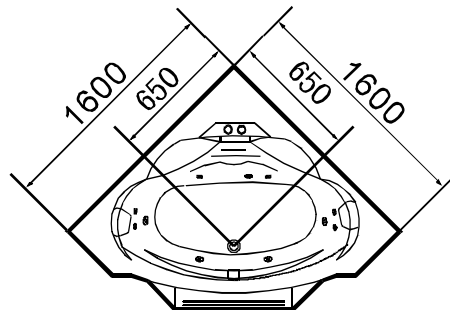
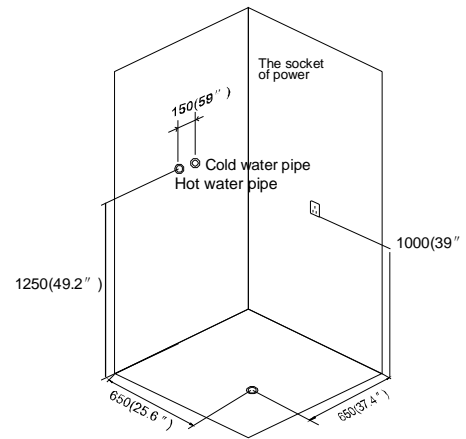
- 1、waterfall
- 2、drainage switch
- 3、water pump swich
- 4、air adjuster
- 5、recycle net
- 6、water jet(6PC)
- 7、drainage



● INSTALLATION SKETCH



Size:1600X1600X2250mm
63"X63"X88.6"



● ATTENTION

- 1.In order to be tripped and fell down, pay more attention when get into the steam room. Please don't shut the finger in the door in order to be hurt.
- 2.In order to avoid damaging the surface of products please do not use hardness and sharpness tool to curve the products.
- 3.In order to course fire, no smoking inside the bathroom.
- 4.the jets of steam and drainage pipe both are high temperature when products working, in order to be hurt please be careful.
- 5.In order to be tripped and fell down please keep clear of the bathtub after taking shower each time.
- 6.It will be leaking if the glass glue plastic sheet be off then please add some more for recover.
- 7.If there are marks of water please clear with soft cloth and toothpaste.
- 8.In order to be blocked of drainage device please keep clean of the surface of bathtub.
- 9.Please do not hang up heavy things on the steam room or the handle of steam room.
- 10.Please deal with the products according to the local laws when it is no longer be use.
- 11.Any request please contact with local dealer.

● ATTENTION FOR USAGE

- 1、 check if power and cold/hot water switch be turn on or be turn off each time before use this product.
- 2、 check if power of electronic leakage device be get through or not.
Checking way:
Press testing button, light of power be off, press button of restart then light of power be on.It is not being what mentioned above after operated step by step,then that shows the electronic protection device out off control or there is something wrong with the electronic leakage device,so should ask professional to check and maintain the product.
- 3、 Turn off the main power of control panel after stop usage. The plug of power should be pull out because only turn off all the functions of control panel that is not stop the power.
- 4、 People with hypertension or drunk are not allowed to have sauna steam bath.
- 5、 Children should have sauna steam bath under adult's instruction.
- 6、 Please don't shut the finger in the door in order to be hurt when get into the steam room.
- 7、 In order to be tripped and fell down, pay more attention when get into the steam room.
- 8、 keep clean of the tray in order to be tripped and fell down.
- 9、 Pay attention to the steam sprayer and water tank drainage, they are in high temperature while working.

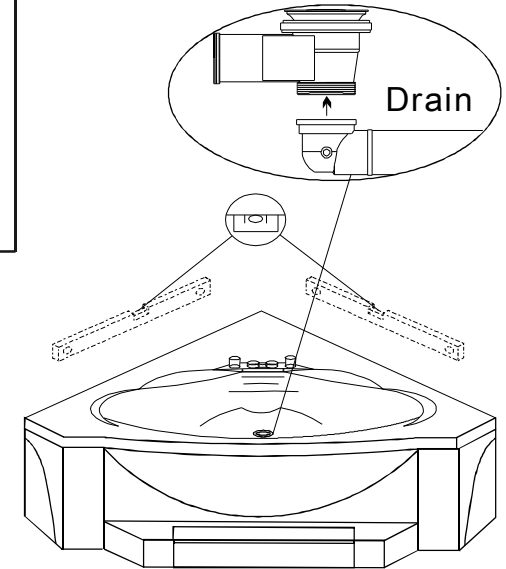
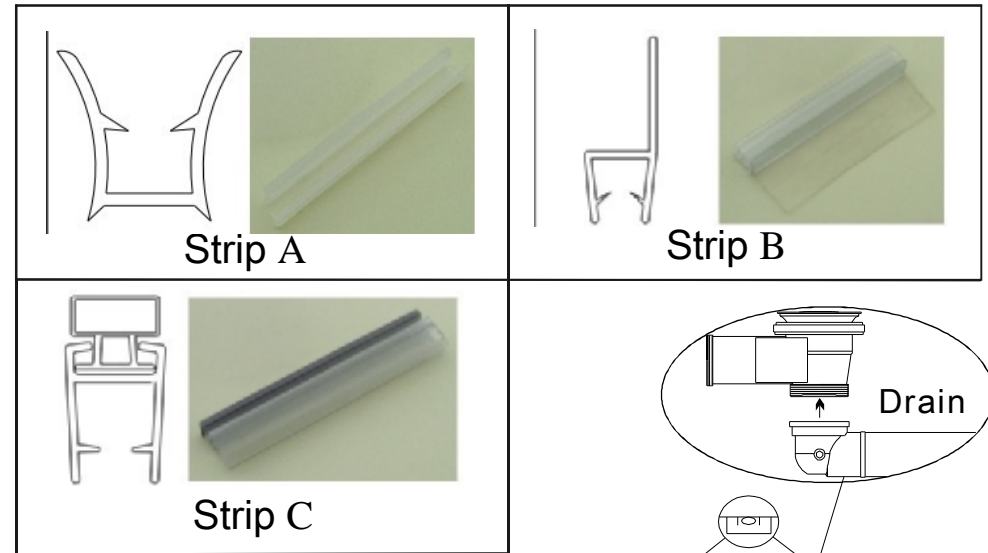
Attention:

The machine must be fixed in the circuit which protected by creepage protection and should be well-connected with the ground. Nontechnical people can not be fixed or removed at random.

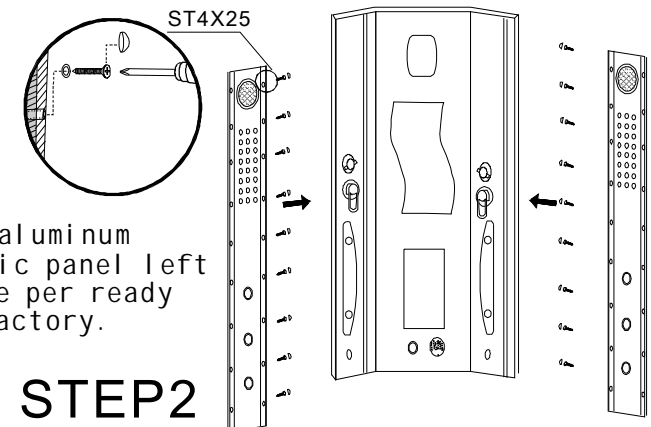
6. Technical parameter

Model	Voltage	Current	Power	protecting electrifying	Waterproof Grade
KL-824	110V	25A	2650W	I	Ip4
Top light	Sidelight	Fan	Water inlet valve	Water drain valve	
20W	5W	3.5W	6W	7W	
AC12V	AC12V	DC12V	DC12V	DC12V	

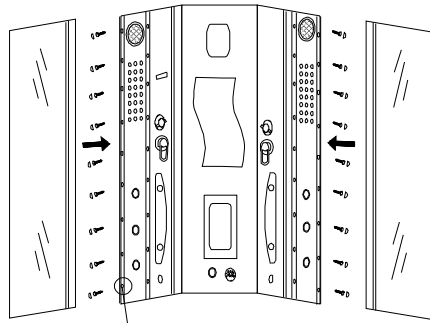
INSTALLATION PROCESS



STEP1
 1.Assembly of tray
 If the ground is not smooth, please adjust the nail under the tray to keep the balance of the tray and ground. The steam pipe is in the package box.

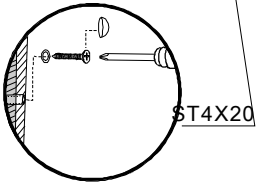


STEP2
 2 Pls. Lock the aluminum columns on acrylic panel left side & right side per ready screw holes by factory.

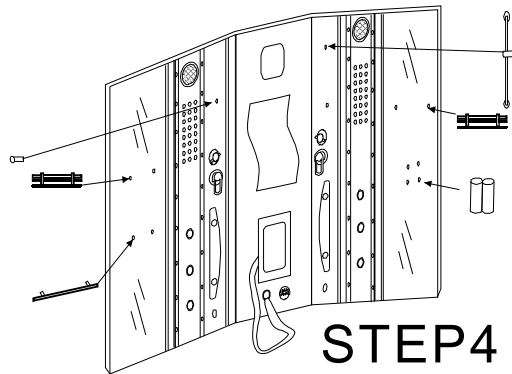


3. Pls. lock the big blue coated glass next to the aluminum columns per ready screws holes by factory. After the blue coated glass installation, pls. put decorated beads on corresponding place of aluminum columns.

STEP3

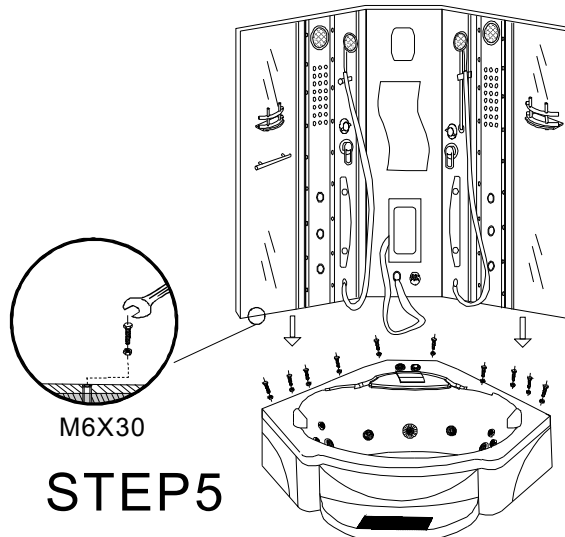


4. Install spare parts on backside steam room body. They are movable shower room holder, towel handrail, glass shelf & soap box. This step requires 2 people, one hold the part in front and another one tighten the screws at back side. Soap box makes up by one bottom shelf & 2pcs boxes, pls. lock the bottom shelf on ready screw holes first, and put the boxes on the bottom shelf later.



STEP4

5. Pls. carry the backside body to the top of bathtub and lock screws on ready screws holes on their contact surface behind the steam room body. In this way, it is fixed.



STEP5

(1) The electrical pitch

Press pitch can open the machine, the temperature is the room temperature. The time will show 30m. At the same time, it will open the ceiling lamp. Press again will close all the functions. (After the closure of the machine, the water case will drain for 2 minutes)

(2) The application of the back lamp

Press ,the sidelight is on. Press again, the ceiling lamp is out, press a third press, the sidelight is out too.

3) The steam function

Press ,startup the steam function, the water case will pump water automatically. After 60minutes or so, it will generate steam. (When the water case is lack of water, the controller will replenish automatically)

(4) The air draft function

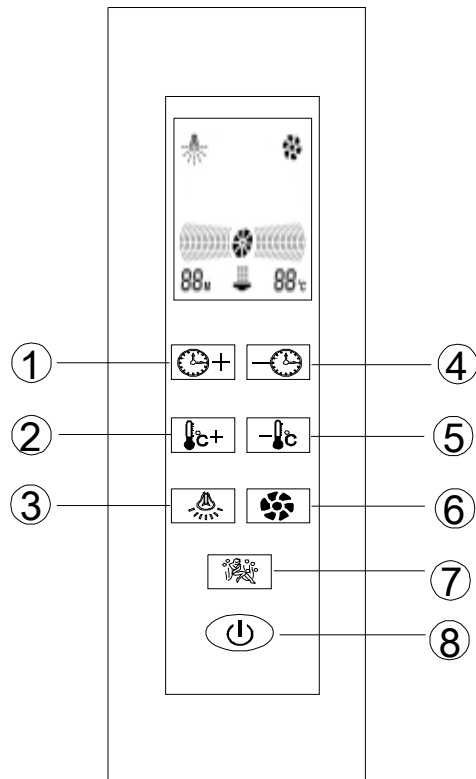
Under the condition of turning on, press can start up air draft function, press again will close it.

(5) The setting of time or temperature

1. Press pitch can adjust the time from 1-99.

2. Press pitch can adjust the temperature from

30-60 .



① Time adjustment pitch+

⑤ Temperature adjustment pitch-

② Temperature adjustment pitch+

⑥ Fan Pitch

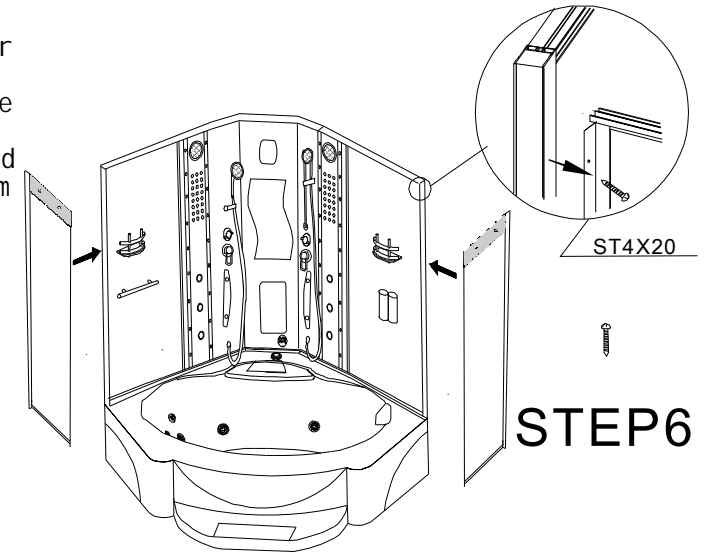
③ Ceiling Lamp/Back Lamp pitch

⑦ Steam Pitch

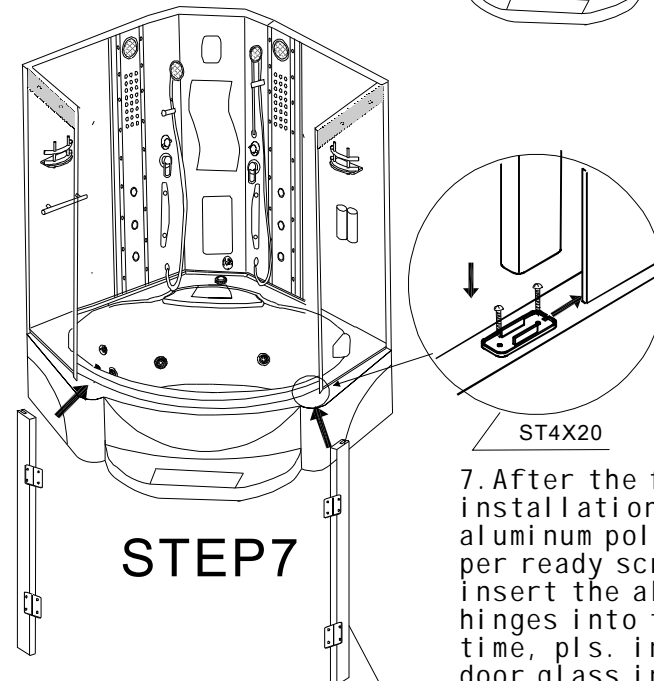
④ Time adjustment pitch-

⑧ Main Cock Pitch

6. Put the blue clear glass with one side aluminum pole on the bathtub next to the back side blue coated glass, and lock them together by lock screws on these 2 aluminum poles. 2 sides blue clear glass with one side aluminum pole installation way is the same.



STEP 6

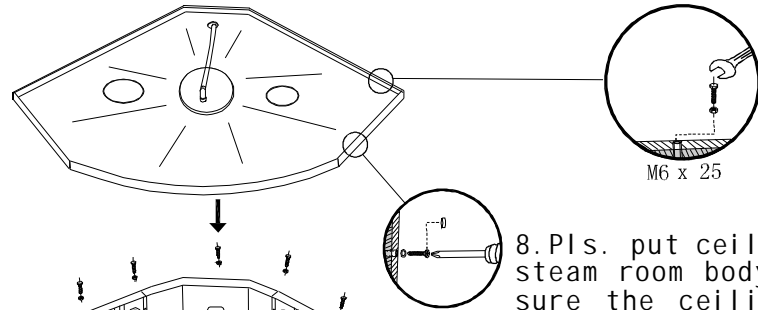


STEP 7

put glass glue here

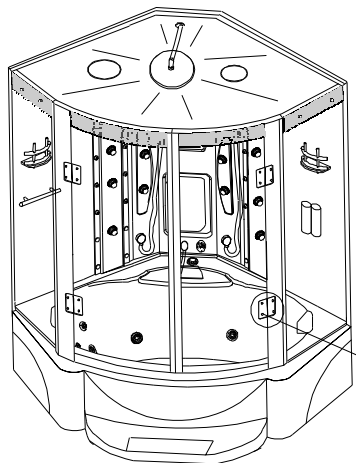


7. After the fixed door installation, pls. lock 2pcs aluminum poles base on bathtub per ready screw holes. Later, pls. insert the aluminum poles with hinges into the base. At the same time, pls. insert 2 sides fixed door glass into the groove of these aluminum poles first & put glass glue into the groove later.

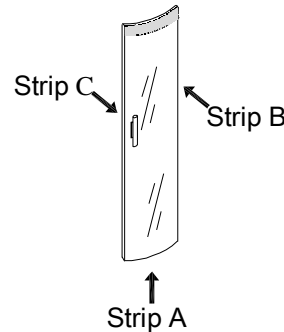


8. Pls. put ceiling on the steam room body and make sure the ceiling is not over the steam room body. Then lock the screws as picture, and fix the room body & ceiling. One person should hold the ceiling inside the room.

STEP 8

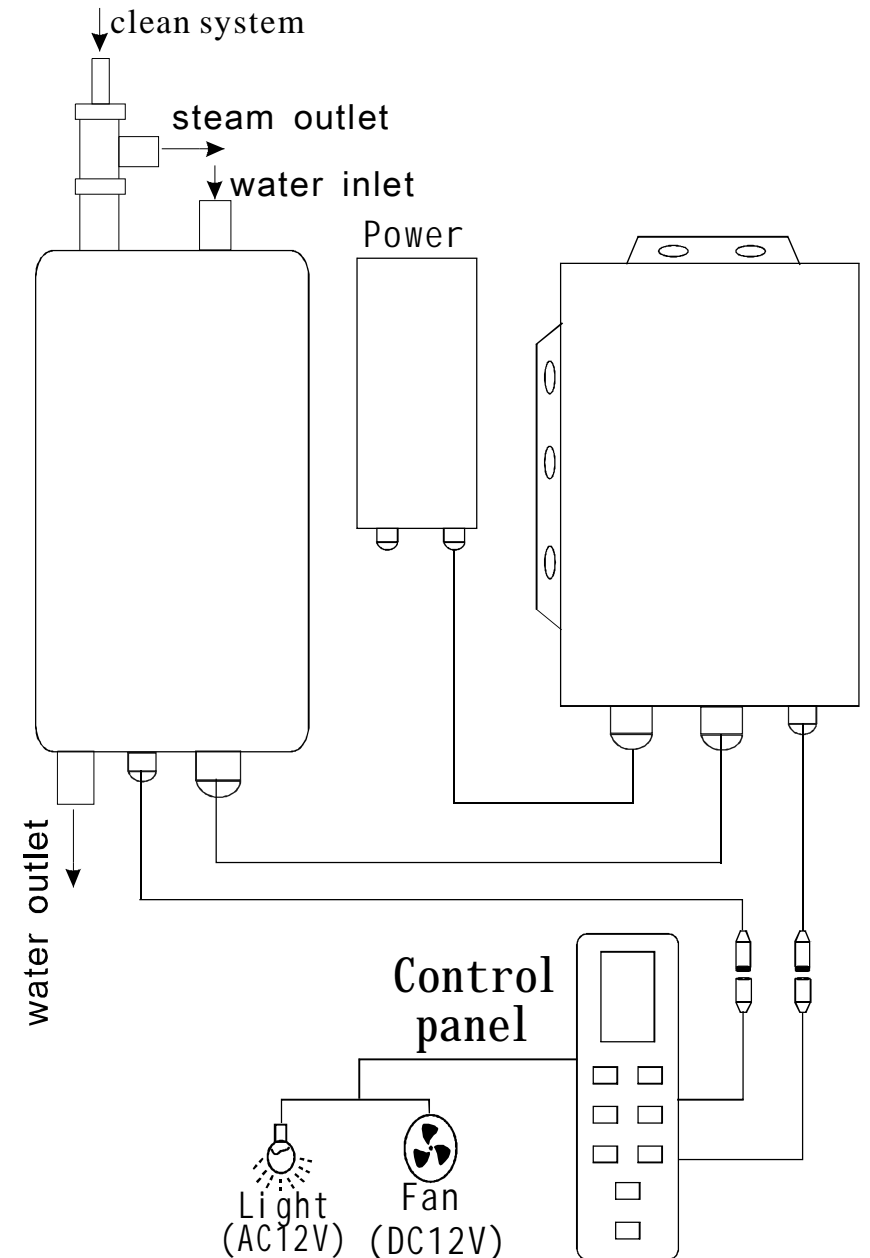


9. Install strips & magnetic strip on left, right & bottom side of 2pcs movable glass door. Carry the glass door to the top of bathtub. Loose the protruding hinge part, and lock the glass inside the hinge per ready glass hole. After the movable door installation, pls. install door handle on doors..



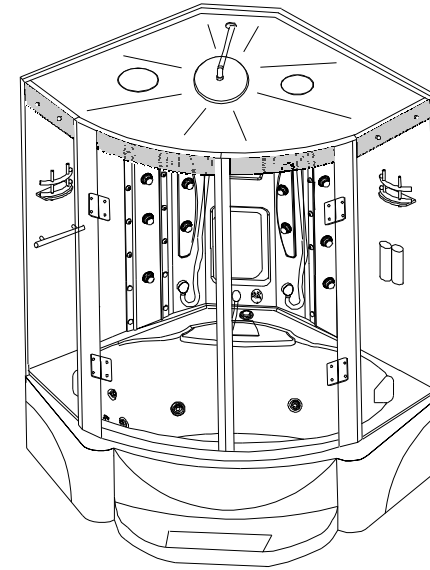
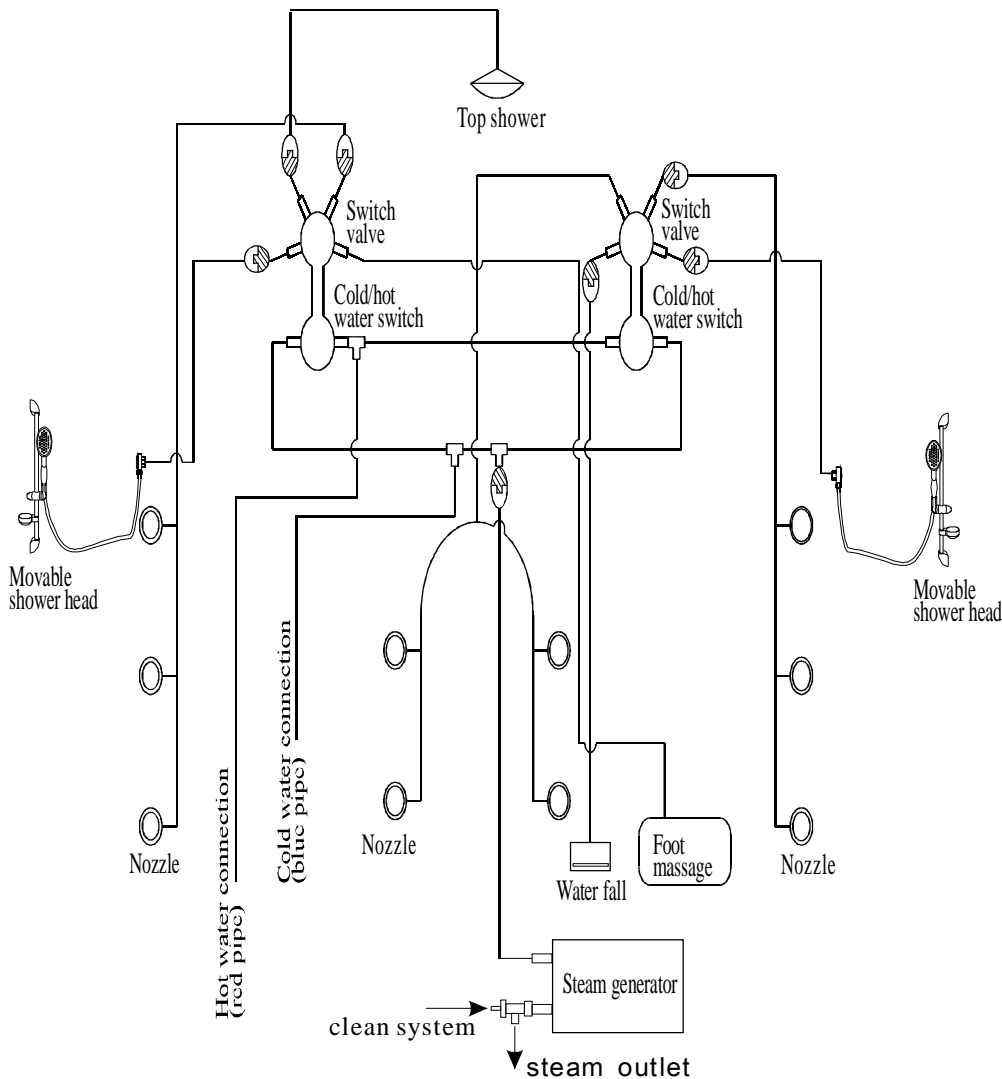
STEP 9

DRAWING OF ELECTRICITY CONNECTION



DRAWING OF WATER CONNECTION

As the “ ” “ ” from the picture, please make the connection according to the serial number v1,v2,etc.



OK

10. After the steam room installation, pls. install the rest spare parts. Such as movable shower, foot massage

11. Pls. put glass glue on fixed door bottom outside & inside and inside top part .

12. Finish cable & water pipe connection. (pls. kindly check the attached picture)