



F R I E D R I C H

1 8 8 3

Breeze™

A revolution in room cooling



Installation Instructions

for BR1224W3A

12000 - 24000 Btu

What's in the carton?

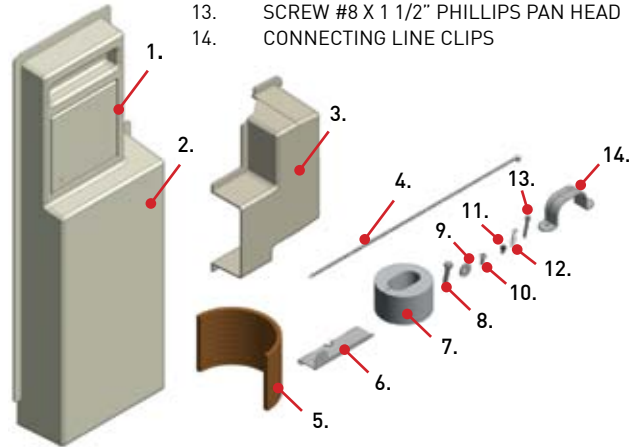
1. Breeze indoor module with 25 ft. connecting line attached
2. Wall mounting template and bracket for indoor module
3. Breeze outdoor module
4. Outdoor module connection covers
5. Mounting pad for outdoor module
6. Remote control
7. Accessories (see list at right)

Tools you will need:

- Phillips screwdriver
- 1/2" wrench or crescent wrench
- Drill with Phillips bit and 3/16" drill bit
- Stud finder (recommended)
- 3" hole saw (through wall installations)
- Safety glasses (recommended)
- Trim knife
- Level

Accessories

ITEM	DESCRIPTION	QTY
1.	CONTROL BOX COVER DOOR	1
2.	CONTROL BOX COVER	1
3.	QUICK CONNECT COVER	1
4.	WIRE TIE	2
5.	CONNECTING LINE BENDING GUIDE	1
6.	ELECTRICAL CORD RETENTION BRACKET	1
7.	WALL OPENING FILL GASKET	1
8.	OUTDOOR UNIT ANCHOR SCREW	4
9.	OUTDOOR UNIT WASHER FOR ANCHOR SCREW	4
10.	SCREW #8 X 3/4" TRUSS HEAD	6
11.	SCREW #6 -19X.375 HEX HEAD	1
12.	WALL ANCHOR FOR #8 X 1 1/2" SCREW	15
13.	SCREW #8 X 1 1/2" PHILLIPS PAN HEAD	15
14.	CONNECTING LINE CLIPS	5



Before getting started

Identify the locations where you will mount the indoor module and place the outdoor module. Keep in mind, there is 25' of connection line for connecting indoor and outdoor pieces, so locate them accordingly. **You cannot add additional length if they are too far apart.**

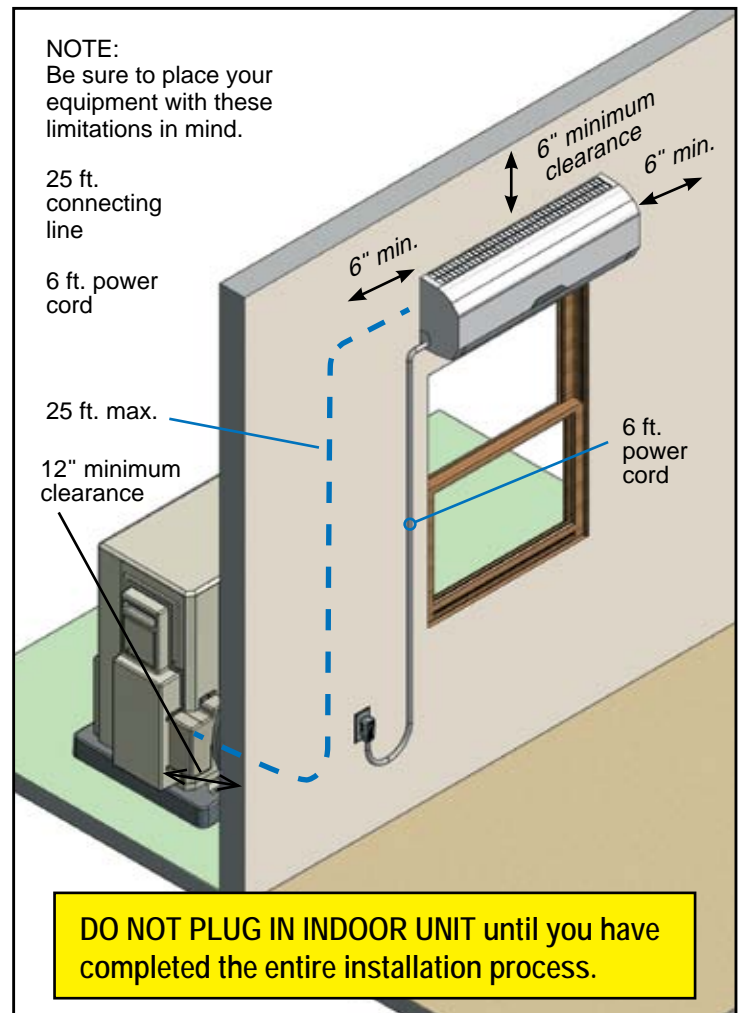
Placing the indoor unit

It is recommended that you install the indoor module on an exterior wall within 6 feet of a properly rated outlet for the system you are installing. The BR1224W3A plugs into a 230V 15A outlet. The system should be plugged into a single circuit outlet only. Typically, hanging the indoor module above or adjacent to a window will provide a great location. NOTE: You should not drill through the window header (part of the rough framing) located directly above the window opening.

Placing the outdoor unit

The outdoor module should be placed on a level surface with adequate clearance from items like shrubbery, solid fencing or other air conditioning equipment that can impede airflow to the module.

The outdoor module must be at least 12" from the wall for proper airflow. The mounting pad provided with the system will raise the module off of the ground 3". The fan should face away from the building.



CAUTION

SHOCK HAZARD - DO NOT PLUG-IN indoor unit until all installation work is completed!

Connect to a single dedicated circuit sized for the load.

DO NOT kink or bend refrigeration line-set less than 3" radius – A connecting line bending guide is provided.

Line-set is under high pressure – **DO NOT** Puncture line-set.

DO NOT Heat line-set.

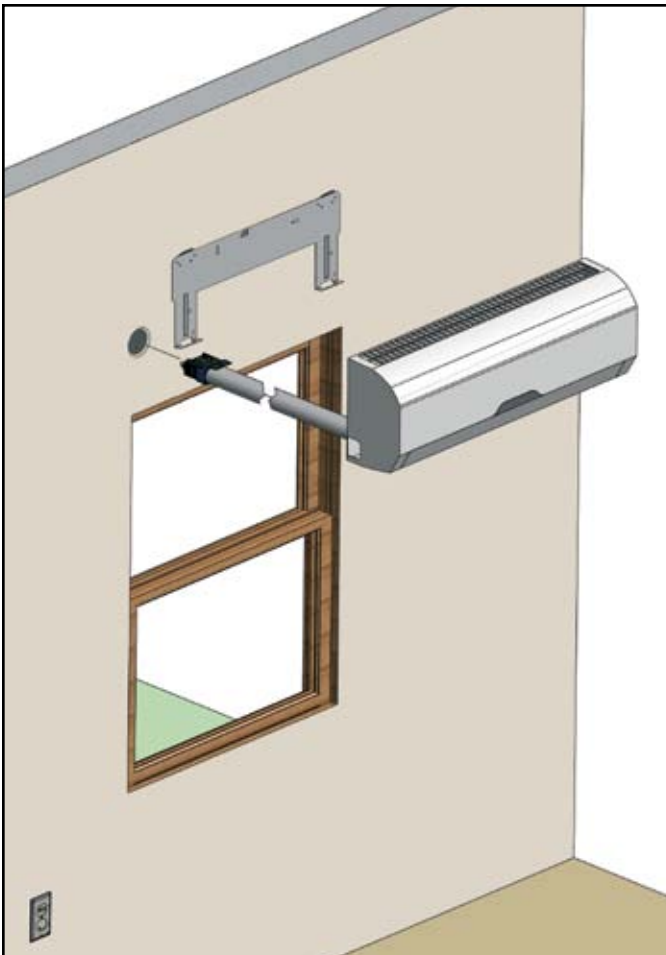
Always follow all local and national codes when installing equipment. Obtain the help of trained, skilled worker where necessary.

STEP 1 - Determine how you will connect the indoor and outdoor modules.

There are two options available:

OPTION 1 is to drill a 3" hole through the wall to pass the connecting line through.

OPTION 2 is to use the Friedrich SimpleSill™ kit to pass the connecting pipe through the window. The SimpleSill™ is an optional accessory available where Breeze is sold.



Now that you have determined where the modules will be placed, it is time to install the Breeze air conditioning system.

STEP 2 – Hang wall mount bracket

Using the paper template as a guide, locate two studs behind screw hole locations in the template. It is preferable to mount the hanging plate on studs. If two studs are not available, utilize anchors appropriate for the wall type with a combined weight capacity of at least 60 lbs. Standard wood screws and drywall anchors are provided.

If you are installing the system by drilling a 3" hole through the wall (Option 1), mark the location of the 3" hole centerline on the wall as well

Note that the indoor unit is not centered on the bracket. There is a center line on the paper template which shows where the center of the indoor unit will be after installation.

STEP 3 – Drill hole (Option 1) or mount SimpleSill™ (Option 2).

Always follow all local and national codes when installing equipment. Obtain the help of trained, skilled worker where necessary.

Option 1: Drill hole Through-the-Wall Installation

Drill 3" hole through the exterior wall.

NOTE: This should only be done by qualified installers. Consult local and national codes before drilling any holes. Mark the hole location on the indoor wall using the template. (If locating unit above a window or door, make sure the hole is above structural header)

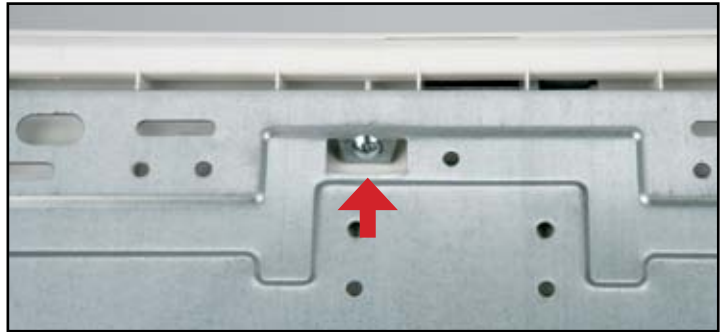
Using a stud finder, scan area around desired hole location for pipes, ducts, electrical conductors and structural elements. Relocate indoor unit mounting location as necessary to avoid interference.

Using a 3" hole saw, drill hole through wall from inside toward outside. When hole saw cuts through inside wall, stop drilling. **DO NOT drill the entire 3" hole from the inside to prevent insulation and exterior wall damage.**

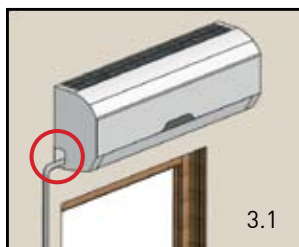
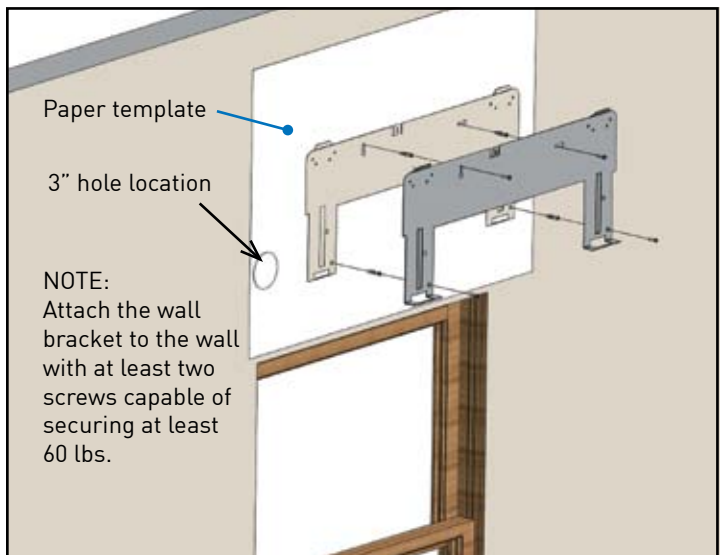
Depending on the type of insulation, it might be necessary to trim excess insulation prior to completing the hole. Once insulation is removed, continue drilling from inside until center drill bit of the saw just penetrates the outside wall.

TIP: Tape a bag to the wall directly below hole location to catch drill debris and dust or use a shop vacuum while drilling.

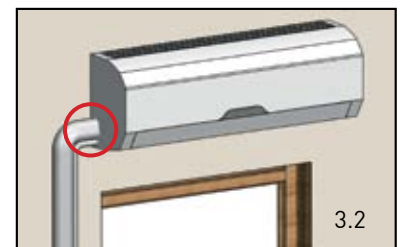
Complete 3" hole from outside of the home by locating center spiral drill bit penetration. Using the 3" hole saw finish drilling through the wall from the outside of the home.



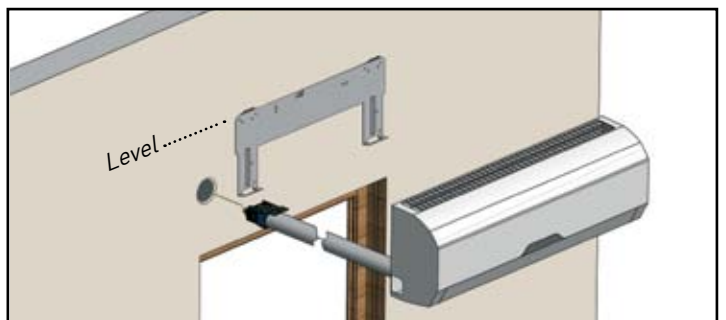
NOTE: Wall mount bracket ships mounted to the back of the indoor unit with a single Phillips head screw. Remove screw to release the bracket for installation.



Option 1 installation: remove small knockout for power cord only.

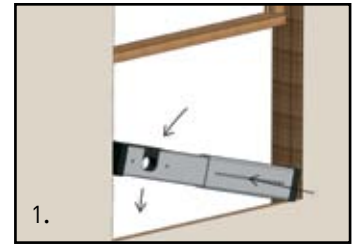


Option 2 installation: remove full knockout for power cord and connecting line.



Option 2: Window Installation Using Friedrich SimpleSill™

1. Be sure window sill is clean and free of dirt and debris. With the window raised, place bottom seal gasket (trimmed to window width) firmly against window sill (adhesive side down). Expand the SimpleSill™ 1" greater than the width of the window and install the securing pin. Place one end of the SimpleSill™ into the window opening so it is against the corner of the window frame and sill. Raise the other side of the SimpleSill™ 6-9 inches (depending on window width) above the window sill. Next, press the raised side down until the SimpleSill™ is lodged securely into position. The SimpleSill™ end gaskets will conform to the window track shape.
2. Reference Step 4.2 and pass the connecting line out the window and insert it into the connecting line form in the SimpleSill™.
3. Install top seal gasket to the bottom of the window so it will seal against the top of the SimpleSill.
4. Replace the pass through cover.
5. Insert securing pins.
6. Lower window frame against SimpleSill compressing gasket.
7. Depending on the type of window, install the appropriate security lock as recommended by manufacturer.



STEP 4 - Line set installation

The Breeze connecting line set contains copper tubing that may kink if bent or formed incorrectly or repeatedly. To avoid damaging your Breeze air conditioning system follow the 3 rules below throughout installation:

- 1) DO NOT uncoil and recoil the connecting line set more than two times.
- 2) DO NOT bend tubing in a radius smaller than 6"
- 3) ALWAYS use the tube bending guide when making bends greater than 45°

Following these instructions is critical for proper installation and to avoid damage to the unit. Damage to the connecting line due to improper installation will not be covered by the warranty.

4.1 Option 1 (3" hole pass through)

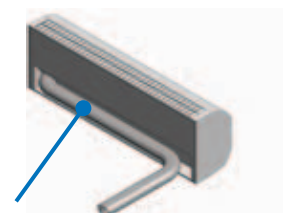
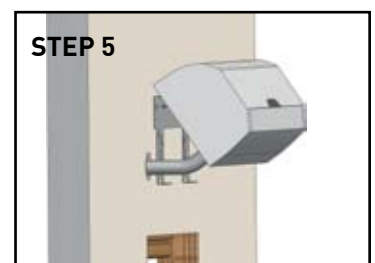
Completely uncoil the line set as straight as possible. Starting with the quick connect end of the line set, pass the entire length through the 3" hole. (Before installation break small plastic knockout on side of indoor unit for power cord to pass through-see Step 3, Figure 3.1).

4.2 Option 2 (SimpleSill™ window installation)

Uncoil enough of the line set to completely pass through the SimpleSill. Pre bend the line set using the enclosed template to match the desired shape as it passes through the SimpleSill. Place remaining coiled line set outside the window for later connection to the outdoor unit. Break full plastic knockout for line set to pass through the side of the indoor unit-see Step 3, Figure 3.2.

STEP 5 - Hang the indoor module on the wall bracket.

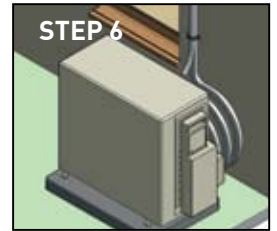
Hang the module at the top first and rotate it down until the module is level with the wall. (You may need to make adjustments to the connecting line to get the indoor module to mount cleanly) The Breeze module is not designed to mount totally flush to the wall. A space of 1/8" to 3/8" may be present between the module and the wall.



The line set will sit in the recess of the back of the indoor unit when mounted.

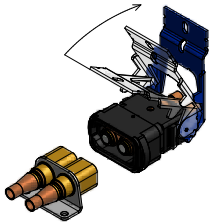
STEP 6 - Place the mounting pad.

Position the mounting pad so that the mounting holes are away from the house. Set the outdoor module on the mounting pad so that the module feet align with the mounting holes. Screw the outdoor module to the mounting pad with the 4 condenser pad installation washers and screws provided (Items #8 and #9 in the Accessories List).

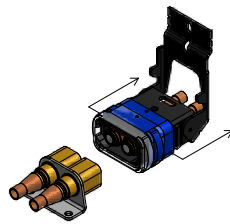


STEP 7 - Connect the quick connector from the indoor line set outdoor module.

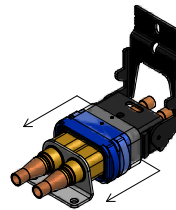
1. Open lock handle on line-set connector by pulling back and rotating toward indoor unit.



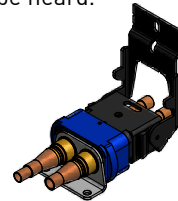
2. Grasp outer lock collar on line-set connector and pull back until it stops.



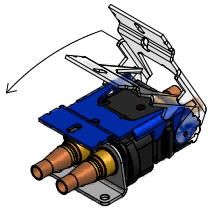
3. While holding outer lock collar rearward, push line-set connector body over base connector on outdoor unit half way and release outer lock collar.



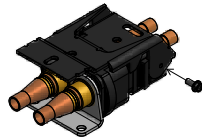
4. Continue to push line-set connector onto base connector until outer lock collar engages base connector. The outer lock collar will snap into position with base connector and a click will be heard.



5. Grasp lock handle and rotate to its closed position.



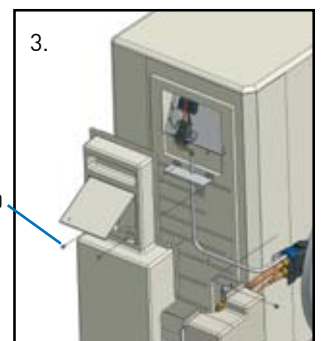
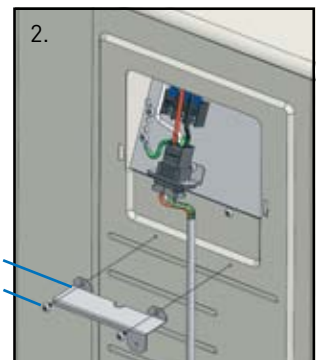
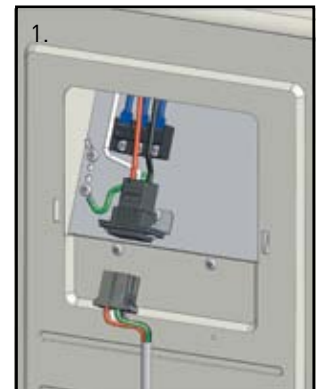
6. Install security screw (Item 13 in the Accessories List) to prevent tampering with line-set connector mechanism.






If you have excess connecting line, roll the line into a coil approximately 2 feet wide, secure with the provided wire ties and store between the outdoor module and the wall. **DO NOT cut or kink the connecting line!**

STEP 8 - Connect the electrical connector from the connecting line to outdoor module

1. Connect the black colored electrical connector from the connecting line into the mating connector on the outdoor module. The connectors will snap into place with a click. (The plug can be removed by pushing in the side tabs on the plug and pulling the plug body down and out of the receptacle.)
2. Install the electrical cord retention bracket (Item #6 in the Accessories List) using two #8 x 3/4" screws (Item #10 in the Accessories List). The opening in the electrical cord retention bracket should fit over the cord. Do not pinch the cord in the bracket.
3. Install the plastic cover (Item #2 in the Accessories List) as shown. There is one screw located on the lower right flange of the cover and one screw under the electrical connector access cover. Once secure, use enclosed screw (Item #10 in the Accessories List) to close the access door.
4. Install the quick connect cover as shown in figure 4. Once in place secure using enclosed #8 x 3/4" screw located on the top flange of the quick connect cover.



-  All Covers must be in place to operate unit.
-  SHOCK HAZARD exists without electrical access cover.
-  Cover cannot be installed without completing steps 8.1 through 8.4 properly.

STEP 9 – Locate the condensate drain.

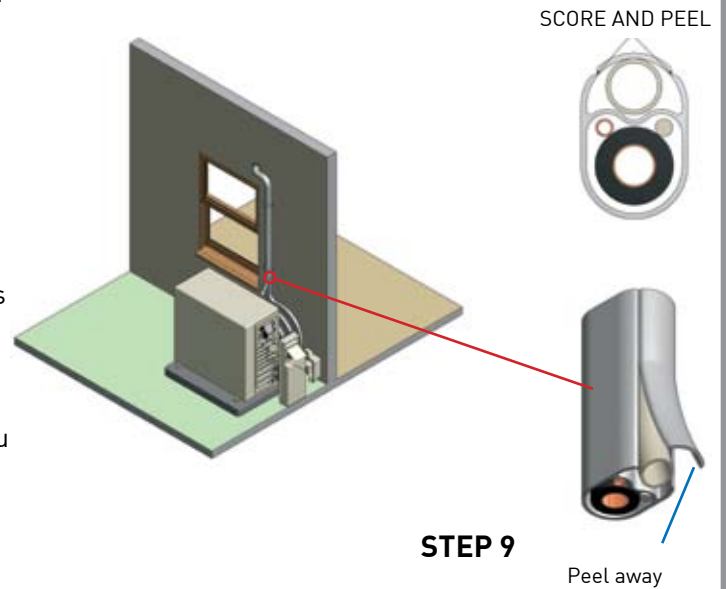
The connecting line has a built in condensate line hose that removes the moisture collected from the indoor module. The hose must be located in an appropriate location for drainage. Because the hose relies on gravity to drain, it is important that the hose only points downward for the entire length of the hose. If the connecting line is rolled to store the excess line as shown in Step 6, the drain line may be removed from the connecting line as shown below and cut to an appropriate length.

STEP 10 – Final Preparation.

Using the supplied connecting line clips (Item #14 in the Accessories List), secure the connecting line to the interior and exterior walls as desired. 5 retaining clips are provided from the factory along with standard #8 x 1 1/2" screws and wall anchors.

For installations with the connecting line going through the wall (option 1) use the supplied filler gasket (Item #7 in the Accessories List) to plug the hole around the connecting line in the wall opening. Additional sealing may be desired or necessary for proper weatherproofing.

Once the connecting line is secure and Steps 1-9 are complete, you may plug in the Breeze system and enjoy your new air conditioner.



Routine Maintenance

Cleaning the unit:

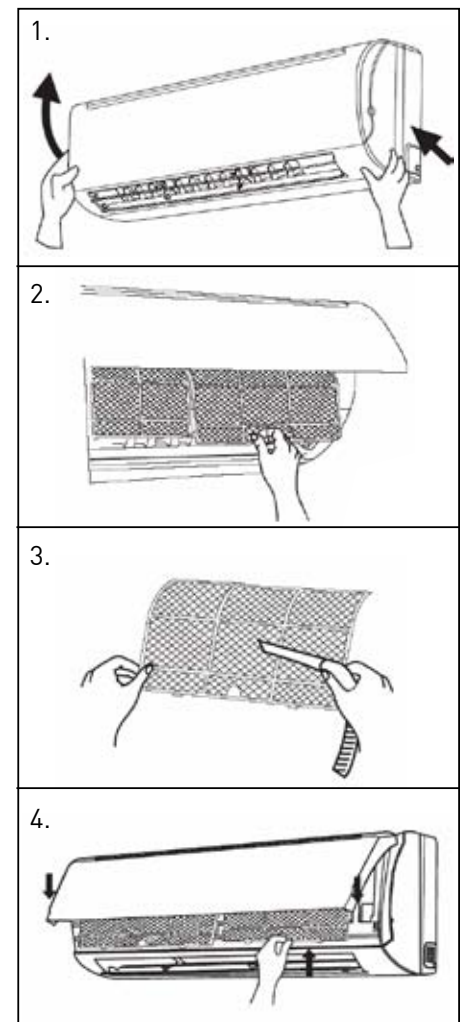
The outer cover of the Breeze indoor module can be cleaned with a damp cloth.

Cleaning the outdoor module can be done by rinsing the module with low pressure water. Refer to friedrich.com for approved coil cleaning agents.

Cleaning the filter:

The indoor module of the Breeze system has a washable filter that should be inspected and cleaned periodically. To access and clean the filter follow these steps.

1. Open the front panel by pulling on the left and right side tabs. The front panel will open upward and lock into the open position.
2. Remove the left and right air filters from the Breeze module.
3. Wash the filters by rinsing with water or by vacuuming the dirt from the filter. Allow the filter to dry completely prior to reinstalling.
4. Reinsert both air filters. Then, lower the front panel and snap the panel into place.



Remote Control Operation

- START / STOP** Turns the Breeze unit on or off.
▼/▲ Arrow Press to raise or lower the temperature setting. Temperature setting range is between 61°F – 86°F.
- FAN/AUTO** Adjusts the fan speed or sets fan to 'AUTO' operation. Selectable speeds are LOW, MEDIUM, HIGH or AUTO. AUTO will automatically adjust the fan speed to maintain the proper set point.
- MODE** Selects the Breeze operating mode. Select between COOLING ❄️, HEATING 🔥, DRY 💧, FAN 🌀 or AUTO ⏸️.
COOLING ❄️ mode – the unit will operate as an air conditioner to maintain the desired set point.
HEATING 🔥 – the unit will operate as a heat pump to maintain the desired set point.
DRY 💧 – the unit will operate as an air conditioner on low speed to reduce humidity levels while not affecting the air temperature as greatly.
FAN 🌀 – the unit will operate as a fan to circulate air only.
AUTO ⏸️ – the unit will operate as an air conditioner or heat pump to maintain the desired set point.
- SENSOR** Pressing this button prompts the unit to take a reading of the room conditions.
- CLOCK** Press to set the CLOCK 🕒. (CLOCK icon will flash when ready to set). Use ▼/▲ to set proper time.
- TIMER ON** Press to set the time for the unit to come on. Optional setting, only operates when 'ON' icon is illuminated on remote.
- AIR SWEEP** Press to turn on the AUTO AIR SWEEP 🌀 function or to set the desired angle of the airflow. (Airflow angle is reset each time power is turned off)
- EXTEND** When on, 🌀 will be displayed. In Cooling and Dry mode this will allow the unit fan to operate for 10 extra minutes after satisfying the temperature set point.
- TEMP** Press TEMP button to toggle between displaying the set point or room temp on the Breeze unit display.
- TIMER OFF** Press to set the time for the unit to turn off. Optional setting, only operates when 'OFF' icon is illuminated on remote.
- TURBO** TURBO mode 🌀 operates the unit at maximum performance level to bring the room to the set point temperature as rapidly as possible. Available in Cooling and Heating mode.
- SLEEP** Press to enter SLEEP mode 🌙. SLEEP mode automatically adjusts the set point by 2 degrees after the first hour of operation to provide greater comfort overnight as well as save energy.
- LIGHT** Turns the LIGHT on the Breeze unit on or off.



Special Features:

- LOCK** You can lock the remote control by pressing the ▼ and ▲ simultaneously. Press them again and the remote will unlock.
- Fahrenheit /Celsius** The unit ships with the temperature readout in degrees Fahrenheit. To change to degrees Celsius press the MODE and ▼ buttons simultaneously when the unit is off. Press them again and the remote will return to Fahrenheit.