

# INSTALLATION INSTRUCTIONS 30" (76.2 CM) AND 36" (91.4 CM) GAS BUILT-IN COOKTOP

## INSTRUCTIONS D'INSTALLATION DE LA TABLE DE CUISSON À GAZ ENCASTRÉE DE 30" (76,2 CM) ET 36" (91,4 CM)

### Table of Contents/Table des matières

<p><b>COOKTOP SAFETY</b>..... 1</p> <p><b>INSTALLATION REQUIREMENTS</b> .....3</p> <p>    Tools and Parts .....3</p> <p>    Location Requirements .....3</p> <p>    Electrical Requirements .....4</p> <p>    Gas Supply Requirements .....5</p> <p><b>INSTALLATION INSTRUCTIONS</b> .....6</p> <p>    Prepare Cooktop for Installation .....6</p> <p>    Install Cooktop .....6</p> <p>    Make Gas Connection .....7</p> <p>    Complete Installation .....8</p> <p><b>WIRING DIAGRAMS</b>.....9</p>	<p><b>SÉCURITÉ DE LA TABLE DE CUISSON</b> .....11</p> <p><b>EXIGENCES D'INSTALLATION</b> .....12</p> <p>    Outillage et pièces .....12</p> <p>    Exigences d'emplacement .....12</p> <p>    Spécifications électriques .....14</p> <p>    Spécifications de l'alimentation en gaz .....14</p> <p><b>INSTRUCTIONS D'INSTALLATION</b>.....16</p> <p>    Préparation de la table de cuisson pour l'installation .....16</p> <p>    Installation de la table de cuisson .....16</p> <p>    Raccordement au gaz .....17</p> <p>    Achever l'installation .....18</p> <p><b>SCHÉMAS DE CÂBLAGE</b> .....19</p>
--	---

## COOKTOP SAFETY

### Your safety and the safety of others are very important.

We have provided many important safety messages in this manual and on your appliance. Always read and obey all safety messages.



This is the safety alert symbol.

This symbol alerts you to potential hazards that can kill or hurt you and others.

All safety messages will follow the safety alert symbol and either the word "DANGER" or "WARNING."

These words mean:

**⚠ DANGER**

**You can be killed or seriously injured if you don't immediately follow instructions.**

**⚠ WARNING**

**You can be killed or seriously injured if you don't follow instructions.**

All safety messages will tell you what the potential hazard is, tell you how to reduce the chance of injury, and tell you what can happen if the instructions are not followed.

#### IMPORTANT:

**Installer:** Leave installation instructions with the homeowner.

**Homeowner:** Keep installation instructions for future reference.

#### IMPORTANT :

**Installateur :** Remettre les instructions d'installation au propriétaire.

**Propriétaire :** Conserver les instructions d'installation pour référence ultérieure.

**WARNING:** If the information in this manual is not followed exactly, a fire or explosion may result causing property damage, personal injury or death.

- Do not store or use gasoline or other flammable vapors and liquids in the vicinity of this or any other appliance.
- **WHAT TO DO IF YOU SMELL GAS:**
  - Do not try to light any appliance.
  - Do not touch any electrical switch.
  - Do not use any phone in your building.
  - Immediately call your gas supplier from a neighbor's phone. Follow the gas supplier's instructions.
  - If you cannot reach your gas supplier, call the fire department.
- Installation and service must be performed by a qualified installer, service agency or the gas supplier.

**WARNING:** Gas leaks cannot always be detected by smell.

Gas suppliers recommend that you use a gas detector approved by UL or CSA.

For more information, contact your gas supplier.

If a gas leak is detected, follow the "What to do if you smell gas" instructions.

**IMPORTANT:** Do not install a ventilation system that blows air downward toward this gas cooking appliance. This type of ventilation system may cause ignition and combustion problems with this gas cooking appliance resulting in personal injury or unintended operation.

In the State of Massachusetts, the following installation instructions apply:

- Installations and repairs must be performed by a qualified or licensed contractor, plumber, or gasfitter qualified or licensed by the State of Massachusetts.
- If using a ball valve, it shall be a T-handle type.
- A flexible gas connector, when used, must not exceed 3 feet.

# INSTALLATION REQUIREMENTS

## Tools and Parts

Gather the required tools and parts before starting installation.

### Tools needed

- Tape measure
- Flat-blade screwdriver
- $\frac{15}{16}$ " combination wrench
- Pipe wrench
- Channel lock pliers
- Marker or pencil
- Pipe-joint compound resistant to LP gas
- Noncorrosive leak-detection solution

### Parts supplied

- Gas pressure regulator
- Burner grates
- Burner heads and caps
- Clamp brackets (2)
- $2\frac{1}{2}$ " (6.4 cm) clamping screws (2)
- Foam tape seal

### Parts needed

Check local codes and consult gas supplier. Check existing gas supply and electrical supply. See "Electrical Requirements" and "Gas Supply Requirements" sections.

## Location Requirements

**IMPORTANT:** Observe all governing codes and ordinances. Do not obstruct flow of combustion and ventilation air.

- It is the installer's responsibility to comply with installation clearances specified on the model/serial rating plate. The model/serial rating plate is located on the underside of the cooktop burner box.
- To eliminate the risk of burns or fire by reaching over heated surface units, cabinet storage space located above the surface units should be avoided. If cabinet storage is to be provided, the risk can be reduced by installing a range hood that projects horizontally a minimum of 5" (12.7 cm) beyond the bottom of the cabinets.
- The cooktop should be installed in a location away from strong draft areas, such as windows, doors and strong heating vents or fans.
- All openings in the wall or floor where cooktop is to be installed must be sealed.
- Cabinet opening dimensions that are shown must be used. Given dimensions are minimum clearances.
- Grounded electrical supply is required. See "Electrical Requirements" section.
- Proper gas supply connection must be available. See "Gas Supply Requirements" section.
- The gas and electric supply should be located as shown in "Gas and Electric Connection Locations" in the "Location Requirements" section so that they are accessible without requiring removal of the cooktop.

**IMPORTANT:** To avoid damage to your cabinets, check with your builder or cabinet supplier to make sure that the materials used will not discolor, delaminate or sustain other damage.

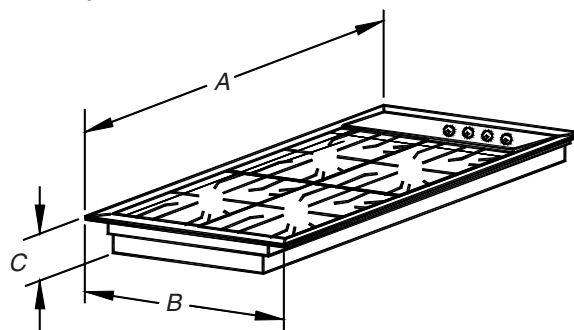
## Mobile Home - Additional Installation Requirements

The installation of this cooktop must conform to the Manufactured Home Construction and Safety Standard, Title 24 CFR, Part 3280 (formerly the Federal Standard for Mobile Home Construction and Safety, Title 24, HUD Part 280). When such standard is not applicable, use the Standard for Manufactured Home Installations, ANSI A225.1/NFPA 501A or with local codes.

In Canada, the installation of this cooktop must conform with the current standards CAN/CSA-A240-latest edition, or with local codes.

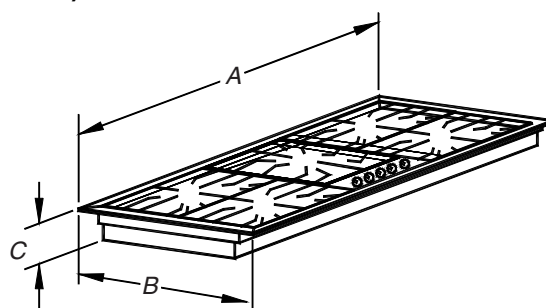
## Product Dimensions

### 30" (76.2 cm) Model



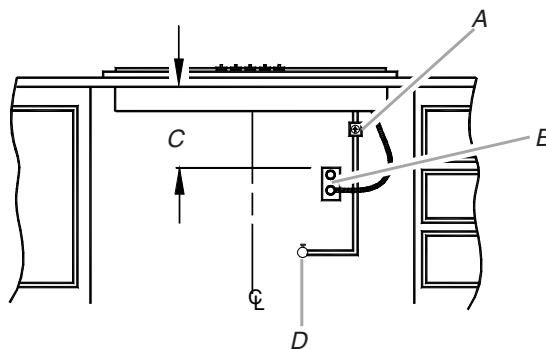
- A. 30" (76.2 cm)
- B.  $20\frac{1}{8}$ " (51.1 cm)
- C.  $2\frac{27}{32}$ " (7.2 cm)

### 36" (91.4 cm) Model



- A. 36" (91.4 cm)
- B.  $20\frac{1}{8}$ " (51.1 cm)
- C.  $2\frac{27}{32}$ " (7.2 cm)

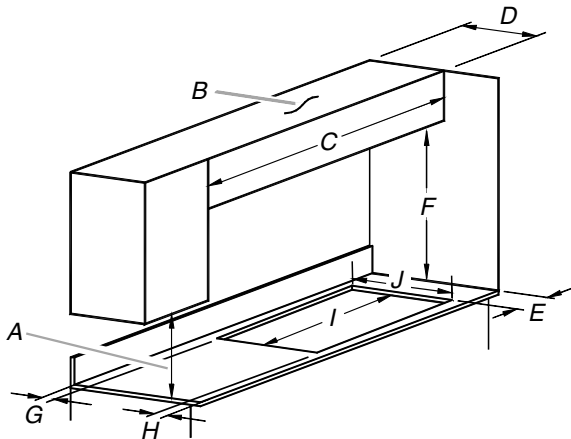
## Gas and Electric Connection Locations



- A. Gas pressure regulator (supplied) - arrow pointed toward cooktop
- B. 3 prong grounding type outlet with correct polarity
- C. 18" (45.7 cm) minimum
- D. Gas shutoff valve

## Installation Clearances

**IMPORTANT:** If installing a range hood or microwave hood combination above the range, follow the range hood or microwave hood combination installation instructions for dimensional clearances above the cooktop surface.



- A. 18" (45.7 cm) minimum clearance upper cabinet to countertop
- B. Cabinet
- C. 30" (76.2 cm) on 30" (76.2 cm) models  
36" (91.4 cm) on 36" (91.4 cm) models
- D. 13" (33 cm) maximum recommended upper cabinet depth
- E. 6" (15.2 cm) minimum side wall clearance
- F. 30" (76.2 cm) minimum clearance between top of cooktop platform and bottom of uncovered wood or metal cabinet (24" [61 cm] minimum clearance if bottom of wood or metal cabinet is covered by not less than 1/4" [0.6 cm] flame retardant millboard covered with not less than No. 28 MSG sheet steel, 0.015" [0.04 cm] stainless steel, or 0.024" [0.06 cm] aluminum or 0.020" [0.05 cm] copper)
- G. 2 3/16" (5.9 cm) minimum distance to rear combustible surface
- H. 3 3/16" (8.1 cm) minimum distance to front countertop edge
- I. Cutout width - 29 3/8" (74.6 cm) on 30" models; 35 3/8" (89.9 cm) on 36" models
- J. Cutout depth - 19 1/2" (49.5 cm)

**NOTE:** After making the countertop cutout, some installations may require notching down the base cabinet side walls to clear the burner box. To avoid this modification, use a base cabinet with sidewalls wider than the cutout.

If cabinet has a drawer, a 4" (10.2 cm) depth clearance from the countertop to the top of the drawer (or other obstruction) in base cabinet is required. The drawer depth may need to be shortened to avoid interfering with the regulator.

## Electrical Requirements

### **⚠ WARNING**



#### Electrical Shock Hazard

Plug into a grounded 3 prong outlet.

Do not remove ground prong.

Do not use an adapter.

Do not use an extension cord.

Failure to follow these instructions can result in death, fire, or electrical shock.

**IMPORTANT:** The cooktop must be electrically grounded in accordance with local codes and ordinances, or in the absence of local codes, with the National Electrical Code, ANSI/NFPA 70 or Canadian Electrical Code, CSA C22.1.

This cooktop is equipped with an electronic ignition system that will not operate if plugged into an outlet that is not properly polarized.

This cooktop is equipped with an electronic ignition system that will not operate properly if plugged into a ground fault interrupt circuit.

If codes permit and a separate ground wire is used, it is recommended that a qualified electrical installer determine that the ground path is adequate.

A copy of the above code standards can be obtained from:

National Fire Protection Association  
1 Batterymarch Park  
Quincy, MA 02169-7471

CSA International  
8501 East Pleasant Valley Road  
Cleveland, OH 44131-5575

- A 120-volt, 60 Hz., AC only, 15-amp fused, electrical circuit is required. A time-delay fuse or circuit breaker is also recommended. It is recommended that a separate circuit serving only this range be provided.
- Electronic ignition systems operate within wide voltage limits, but proper grounding and polarity are necessary. Check that the outlet provides 120-volt power and is correctly grounded.
- The wiring diagrams are provided with this cooktop. See "Wiring Diagrams" section.

## Gas Supply Requirements

### **⚠ WARNING**



#### **Explosion Hazard**

**Use a new CSA International approved gas supply line.**

**Install a shut-off valve.**

**Securely tighten all gas connections.**

**If connected to LP, have a qualified person make sure gas pressure does not exceed 14" (36 cm) water column.**

**Examples of a qualified person include:**

**licensed heating personnel, authorized gas company personnel, and authorized service personnel.**

**Failure to do so can result in death, explosion, or fire.**

Observe all governing codes and ordinances.

**IMPORTANT:** This installation must conform with all local codes and ordinances. In the absence of local codes, installation must conform with American National Standard, National Fuel Gas Code ANSI Z223.1 - latest edition or CAN/CGA B149 - latest edition.

**IMPORTANT:** Leak testing of the range must be conducted according to the manufacturer's instructions.

### **Type of Gas**

#### **Natural Gas:**

This cooktop is listed by Underwriters Laboratories (UL/cUL) for use with Natural gas or, after proper conversion, for use with LP gas.

- This cooktop is factory-set for use with Natural gas. To convert to LP gas, see the Gas Conversion instructions provided in the literature package. The model/serial rating plate located on the underside of the burner box has information on the types of gas that can be used. If the types of gas listed do not include the type of gas available, check with the local gas supplier.

#### **LP Gas conversion:**

Conversion must be done by a qualified service technician.

No attempt shall be made to convert the appliance from the gas specified on the model/serial rating plate for use with a different gas without consulting the serving gas supplier. See the Gas Conversion instructions provided in the package containing the literature.

### **Gas Supply Line**

- Provide a gas supply line of 3/4" (1.9 cm) rigid pipe to the cooktop location. A smaller size pipe on longer runs may result in insufficient gas supply. Pipe-joint compounds that resist the action of LP gas must be used. Do not use TEFLON<sup>†</sup> tape. With LP gas, piping or tubing size can be 1/2" minimum. Usually, LP gas suppliers determine the size and materials used in the system.

#### **Flexible metal appliance connector:**

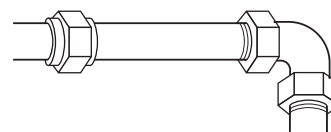
- If local codes permit, use a 5/8" flexible stainless steel tubing gas connector, designed by CSA to connect the cooktop to the rigid gas supply line.



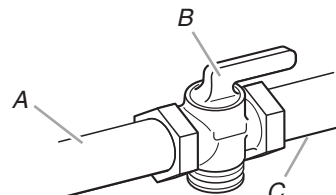
- A 1/2" (1.3 cm) male pipe thread is needed for connection to the female pipe threads of the inlet to the appliance pressure regulator.
- Do not kink or damage the flexible metal tubing when moving the cooktop.

#### **Rigid pipe connection:**

The rigid pipe connection requires a combination of pipe fittings to obtain an in-line connection to the cooktop. The rigid pipe must be level with the cooktop connection. All strains must be removed from the supply and fuel lines so cooktop will be level and in line.



- Must include a shutoff valve:  
The supply line must be equipped with a manual shutoff valve. This valve should be located in the same room but external to the cooktop opening, such as an adjacent cabinet. It should be in a location that allows ease of opening and closing. Do not block access to shutoff valve. The valve is for turning on or shutting off gas to the cooktop.



A. Gas supply line  
B. Shutoff valve "open" position  
C. To cooktop

### **Gas Pressure Regulator**

The gas pressure regulator supplied with this cooktop must be used. The inlet pressure to the regulator should be as follows for proper operation:

#### **Natural Gas:**

Minimum pressure: 6" (15.2 cm) WCP

Maximum pressure: 14" (35.5 cm) WCP

#### **LP Gas:**

Minimum pressure: 11" (27.9 cm) WCP

Maximum pressure: 14" (35.5 cm) WCP

Contact local gas supplier if you are not sure about the inlet pressure.

<sup>†</sup>TEFLON is a registered trademark of E.I. Du Pont De Nemours and Company.

## Burner Input Requirements

Input ratings shown on the model/serial rating plate are for elevations up to 2,000 ft (609.6 m).

For elevations above 2,000 ft (609.6 m), ratings are reduced at a rate of 4% for each 1,000 ft (304.8 m) above sea level (not applicable for Canada).

## Gas Supply Pressure Testing

### Line pressure testing above ½ psi gauge (14" WCP)

The appliance and its individual shutoff valve must be disconnected from the gas supply piping system during any pressure testing of that system at test pressures in excess of ½ psi (3.5 kPa).

### Line pressure testing at ½ psi gauge (14" WCP) or lower

The appliance must be isolated from the gas supply piping system by closing its individual manual shutoff valve during any pressure testing of the gas supply piping system at test pressures equal to or less than ½ psi (3.5 kPa).

# INSTALLATION INSTRUCTIONS

## Prepare Cooktop for Installation

### **! WARNING**

#### **Excessive Weight Hazard**

**Use two or more people to move and install cooktop.**

**Failure to do so can result in back or other injury.**

Write down the model and serial numbers before installing the cooktop. Both numbers are located on the center underside of the burner box.

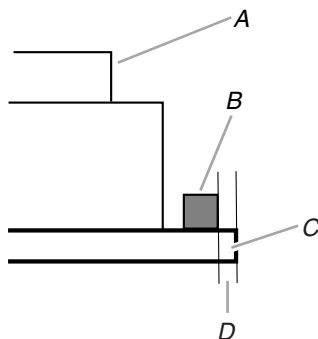
Unpack the parts supplied with your cooktop. The parts shipped with the cooktop depend on the model ordered. See "Tools and Parts" section for a complete list of parts supplied with the cooktop.

Decide on the final location for the cooktop. Locate existing wiring to avoid drilling into or severing wiring during installation.

The pressure regulator and flexible stainless steel gas supply line connector can be assembled to the cooktop now or after the cooktop is installed in the cutout. See "Make Gas Connection" section.

1. Using two or more people, place the cooktop upside down on a covered surface.
2. Remove foam strip from hardware package. Remove backing from foam strip. Apply foam strip adhesive-side down around bottom of cooktop, ¼" (1.6 mm) from the edge of the stainless steel frame sides and back.

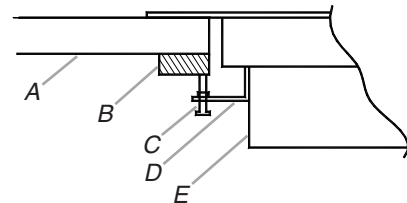
**NOTE:** The foam strip helps keep the underside of the cooktop frame free from debris and helps the cooktop sit flat on uneven counters.



A. Burner box  
B. Foam strip  
C. Stainless steel frame  
D. ¼" (1.6 mm)

## Install Cooktop

1. Remove the 2 screws located in each side of the cooktop burner box.
2. Attach the 2 hold-down brackets to the burner box.
3. Install the cooktop into the countertop cutout by tilting one end of the cooktop into the cutout, then lowering the other end into the cutout.
4. Assemble hold-down screws to hold-down bracket. See the following illustration.



A. Countertop  
B. Wood block  
C. Hold-down screw  
D. Hold-down bracket  
E. Burner box

5. Center the cooktop in the opening and, using a wood block between the screw and the countertop, moderately tighten the screws to secure cooktop.

**IMPORTANT:** Do not tighten screws directly against the countertop.

## Make Gas Connection

### **⚠ WARNING**



#### Explosion Hazard

Use a new CSA International approved gas supply line.

Install a shut-off valve.

Securely tighten all gas connections.

If connected to LP, have a qualified person make sure gas pressure does not exceed 14" (36 cm) water column.

Examples of a qualified person include:

licensed heating personnel,  
authorized gas company personnel, and  
authorized service personnel.

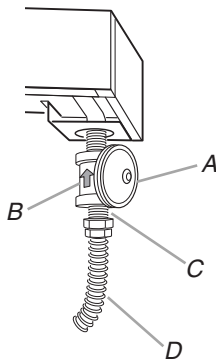
Failure to do so can result in death, explosion, or fire.

#### To Assemble Pressure Regulator:

- Using 2 or more people, stand the cooktop on its side or back.
- Connect the flexible stainless steel connector to the pressure regulator using a 1/2" male pipe thread adapter.

A combination of pipe fittings must be used to connect the cooktop to the existing gas line. Shown following is a typical connection. Your connection may be different, according to the supply line type, size and location.

- Install the pressure regulator with the arrow pointing up toward the bottom of the burner box and in a position where you can reach the regulator.



- A. Gas pressure regulator
- B. Up arrow - Regulator must be installed with arrow pointing up at cooktop bottom.
- C. Adapter - Must have 1/2" male pipe thread
- D. UL listed or CSA approved flexible stainless steel gas supply line

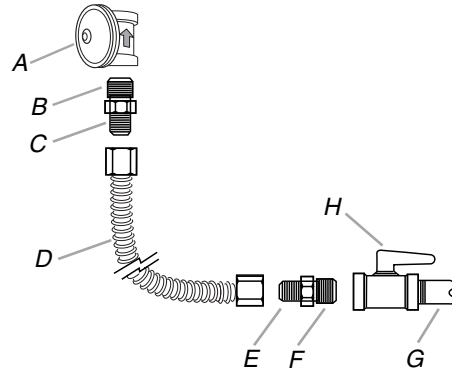
**IMPORTANT:** All connections must be wrench-tightened. Do not make connections to the gas regulator too tight. Making the connections too tight may crack the regulator and cause a gas leak. Do not allow the regulator to turn on the pipe when tightening fittings.

Use only pipe-joint compound made for use with Natural and LP gas.

Do not use TEFLON® tape. You will need to determine the fittings required depending on your installation.

#### Typical flexible connection

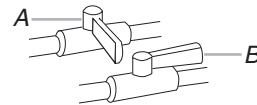
- Apply pipe-joint compound made for use with LP gas to the larger thread ends of the flexible connector adapters (see B and F in the following illustration).
- Attach 1 adapter to the gas pressure regulator and the other adapter to the gas shutoff valve. Tighten both adapters.
- Use a 15/16" combination wrench and channel lock pliers to attach the flexible connector to the adapters. Check that connector is not kinked.



- A. Gas pressure regulator
- B. Use pipe-joint compound
- C. Adapter - Must have 1/2" male pipe thread
- D. 5/8" min. flexible connector
- E. Adapter - Must have 1/2" male pipe thread
- F. Use pipe-joint compound.
- G. 1/2" or 3/4" gas pipe
- H. Manual gas shutoff valve

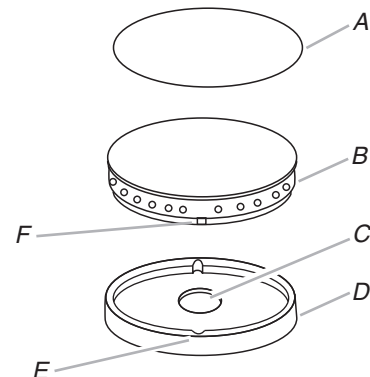
#### Complete Connection

- Open the manual shutoff valve in the gas supply line. The valve is open when the handle is parallel to the gas pipe.



- A. Closed valve
- B. Open valve

- Test all connections by brushing on an approved noncorrosive leak-detection solution. If bubbles appear, a leak is indicated. Correct any leak found.
- Remove surface burner heads, caps and grates from parts package. Insert tab in burner head into notch in burner base. Place burner cap on burner head. Burner heads should be level when properly positioned. If burner heads are not properly positioned, surface burners may not light and continuous sparking may occur. Place burner grates over burners and caps.



- A. Burner cap
- B. Burner head
- C. Gas tube opening
- D. Burner base
- E. Notch
- F. Tab

### Electronic Ignition System

---

#### Check Operation of Surface Burners

1. Push in and turn the surface burner control knobs to the “HI” position.

The surface burner flame should light within 4 seconds. The first time a surface burner is lighted it may take longer than 4 seconds to light because of air in the gas line.

2. Check the flame on “HI” for a blue color. It should be clean and soft in character. No yellow tip, blowing or lifting of flame should occur. Occasional orange flashes are normal and reflect different elements in the air or gas.
3. Repeat at “LO” position.
4. After verifying the proper burner operation, turn the control knobs to “OFF.”

#### If burners do not light properly:

- Turn surface burner control knob to the “OFF” position.
- Check that the power supply cord is plugged in and the circuit breaker has not tripped or the fuse blown.
- Check that the gas shutoff valves are set to the “open” position.
- Check that burner heads and caps are properly positioned on burner bases.

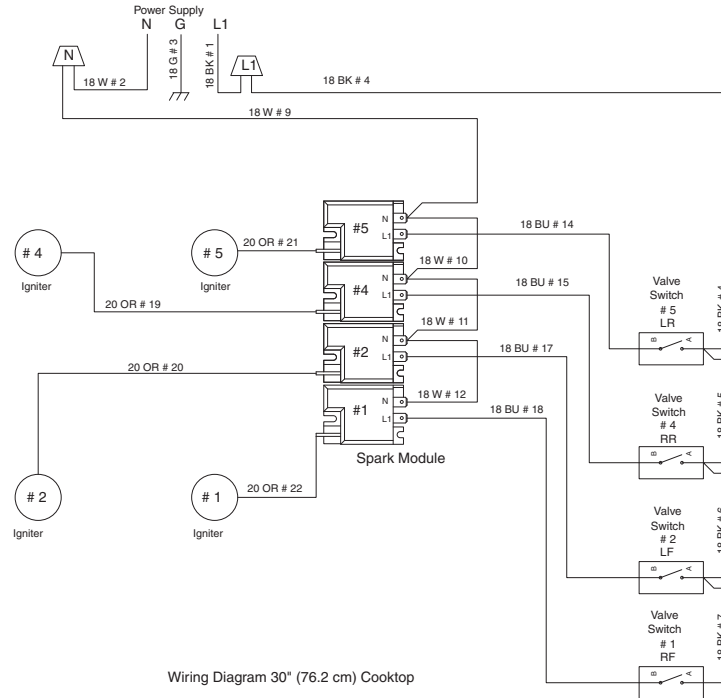
Recheck operation of surface burners. If a burner does not light at this point, contact your dealer or authorized service company for assistance.



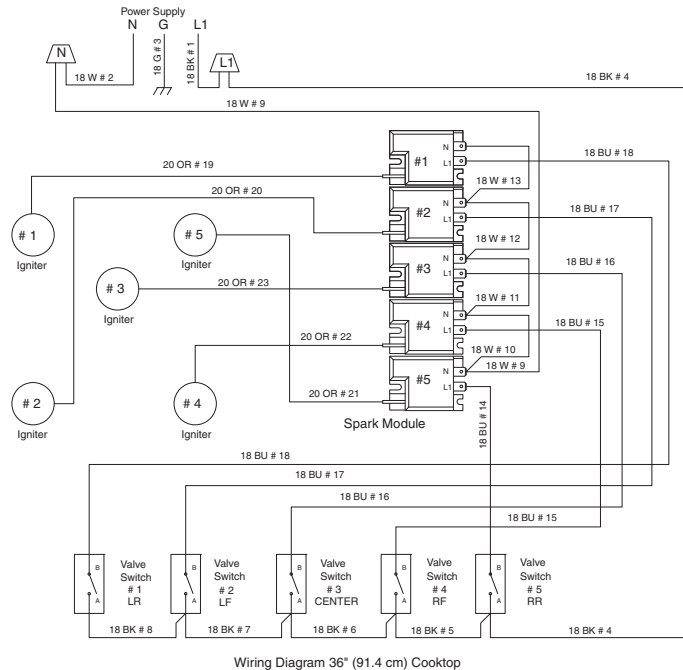
# WIRING DIAGRAMS

**CAUTION:** Label all wires prior to disconnection when servicing controls. Wiring errors can cause improper and dangerous operation. The power cord on this appliance is equipped with a 3 prong grounding plug that mates with standard 3 prong grounding-type plug. Verify proper operation after servicing.

## On 30" (76.2 cm) models



## On 36" (91.4 cm) models



---

## Notes

# SÉCURITÉ DE LA TABLE DE CUISSON

## Votre sécurité et celle des autres est très importante.

Nous donnons de nombreux messages de sécurité importants dans ce manuel et sur votre appareil ménager. Assurez-vous de toujours lire tous les messages de sécurité et de vous y conformer.



Voici le symbole d'alerte de sécurité.

Ce symbole d'alerte de sécurité vous signale les dangers potentiels de décès et de blessures graves à vous et à d'autres.

Tous les messages de sécurité suivront le symbole d'alerte de sécurité et le mot "DANGER" ou "AVERTISSEMENT". Ces mots signifient :

**⚠ DANGER**

Risque possible de décès ou de blessure grave si vous ne suivez pas immédiatement les instructions.

**⚠ AVERTISSEMENT**

Risque possible de décès ou de blessure grave si vous ne suivez pas les instructions.

Tous les messages de sécurité vous diront quel est le danger potentiel et vous disent comment réduire le risque de blessure et ce qui peut se produire en cas de non-respect des instructions.

**AVERTISSEMENT : Si les renseignements dans ce manuel ne sont pas exactement observés, un incendie ou une explosion peut survenir, causant des dommages au produit, des blessures ou un décès.**

- Ne pas entreposer ni utiliser de l'essence ou d'autres vapeurs ou liquides inflammables à proximité de cet appareil ou de tout autre appareil électroménager.
- QUE FAIRE DANS LE CAS D'UNE ODEUR DE GAZ :
  - Ne pas tenter d'allumer un appareil.
  - Ne pas toucher à un commutateur électrique.
  - Ne pas utiliser le téléphone se trouvant sur les lieux.
  - Appeler immédiatement le fournisseur de gaz à partir du téléphone d'un voisin. Suivre ses instructions.
  - À défaut de joindre votre fournisseur de gaz, appeler les pompiers.
- L'installation et l'entretien doivent être effectués par un installateur qualifié, une agence de service ou le fournisseur de gaz.

**AVERTISSEMENT :** L'odorat ne permet pas toujours la détection d'une fuite de gaz.

Les distributeurs de gaz recommandent l'emploi d'un détecteur de gaz (homologation UL ou CSA).

Pour d'autre information, contacter le fournisseur de gaz local.

En cas de détection d'une fuite de gaz, exécuter les instructions "Que faire dans le cas d'une odeur de gaz".

**IMPORTANT :** Ne pas installer un système de ventilation avec évacuation de l'air vers le bas, qui évacuerait l'air vers cet appareil de cuisson à gaz. Ce type de système de ventilation peut causer des problèmes d'allumage et de combustion avec cet appareil de cuisson à gaz et entraîner des blessures corporelles ou le fonctionnement non désiré de cet appareil.

Dans l'État du Massachusetts, les instructions d'installation suivantes sont applicables :

- Les travaux d'installation et réparation doivent être exécutés par un plombier ou tuyauteur qualifié ou licencié, ou par le personnel qualifié d'une entreprise licenciée par l'État du Massachusetts.
- Si une vanne à boisseau sphérique est utilisée, elle doit comporter une manette "T".
- Si un conduit de raccordement flexible est utilisé, sa longueur ne doit pas dépasser 3 pi.

## EXIGENCES D'INSTALLATION

### Outillage et pièces

Rassembler les outils et pièces nécessaires avant de commencer l'installation.

#### Outillage nécessaire

- Mètre ruban
- Tournevis à lame plate
- Clé mixte de  $1\frac{5}{16}$ "
- Clé à tube
- Pince multiprise ordinaire
- Marqueur ou crayon
- Composé d'étanchéité des raccords filetés - résistant au propane
- Solution non corrosive de détection des fuites

#### Pièces fournies

- Détendeur
- Grilles de brûleur
- Têtes et couvercles de brûleur
- Brides de fixation (2)
- Vis de fixation de  $2\frac{1}{2}$ " (6,4 cm) (2)
- Bande de mousse adhésive

#### Pièces nécessaires

Vérifier les codes locaux et consulter le fournisseur de gaz. Vérifier l'alimentation en gaz et l'alimentation électrique existantes. Voir les sections "Spécifications électriques" et "Spécifications de l'alimentation en gaz".

### Exigences d'emplacement

**IMPORTANT :** Observer les dispositions de tous les codes et règlements en vigueur. Ne pas obstruer le flux de combustion et la ventilation.

- C'est à l'installateur qu'incombe la responsabilité de respecter les distances de séparation exigées, spécifiées sur la plaque signalétique de l'appareil. La plaque signalétique des numéros de modèle et de série est située sur la face inférieure de la boîte de brûleur de la table de cuisson.
- Afin de supprimer le risque de brûlures ou d'incendie en se penchant au-dessus des unités de surface chauffées, le rangement en armoire doit être évité. Si le rangement en armoire est envisagé, le risque peut être réduit par l'installation d'une hotte de cuisine opérant horizontalement sur un minimum de 5" (12,7 cm) au-delà du bas des armoires.
- La table de cuisson doit être installée dans un emplacement à l'écart des zones de forts courants d'air, telles que fenêtres, portes et événements ou ventilateurs de chauffage.
- Toutes les ouvertures dans le mur ou le plancher de l'emplacement d'installation de la table de cuisson doivent être scellées.

- Respecter les dimensions indiquées pour la cavité d'installation entre les placards. Ces dimensions tiennent compte des valeurs minimales des dégagements de séparation.
- Une source d'électricité avec liaison à la terre est nécessaire. Voir la section "Spécifications électriques".
- Une source de gaz adéquate doit être disponible. Voir la section "Spécifications de l'alimentation en gaz".
- Veiller à placer les sources de gaz et d'électricité selon les indications de la section "Emplacements des raccordements des sources de gaz et d'électricité" dans la section "Exigences d'emplacement" de façon à être accessibles sans déposer de la table de cuisson.

**IMPORTANT :** Pour éviter tout dommage, consulter le constructeur de la maison ou le fabricant des placards pour déterminer si les matériaux utilisés peuvent subir un changement de couleur, une déstratification ou d'autres dommages.

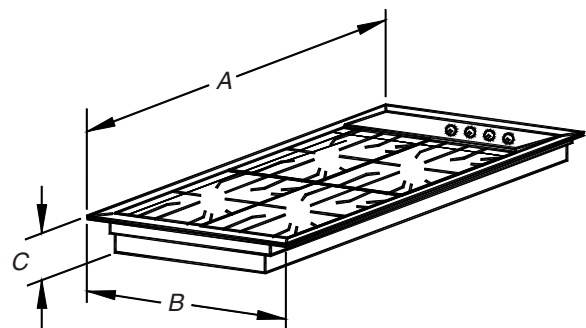
#### Résidence mobile - Spécifications additionnelles à respecter lors de l'installation

L'installation de cette table de cuisson doit être conforme aux dispositions de la norme Manufactured Home Construction and Safety Standard, Title 24 CFR, Part 3280 (anciennement Federal Standard for Mobile Home Construction and Safety, Title 24, HUD Part 280). Lorsque cette norme n'est pas applicable, l'installation doit satisfaire aux critères de la norme Standard for Manufactured Home Installations, ANSI A225.1/NFPA 501A ou les dispositions des codes locaux.

Au Canada, l'installation de cette table de cuisson doit satisfaire aux dispositions de la version la plus récente de la norme CAN/CSA-A240, ou des codes locaux en vigueur.

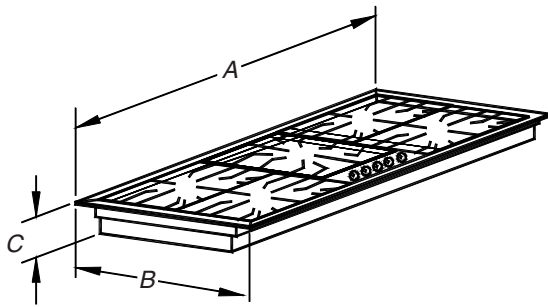
#### Dimensions du produit

##### Modèle de 30" (76,2 cm)



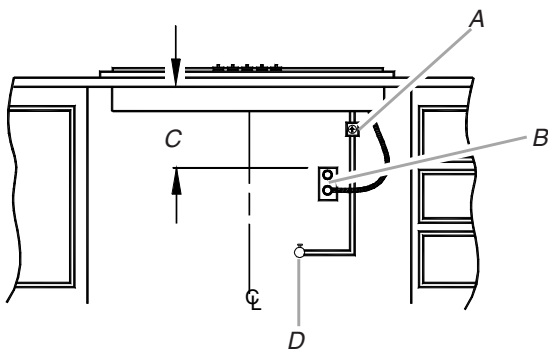
- A. 30" (76,2 cm)
- B.  $20\frac{1}{8}$ " (51,1 cm)
- C.  $2\frac{27}{32}$ " (7,2 cm)

## Modèle de 36" (91,4 cm)



- A. 36" (91,4 cm)
- B. 20 1/8" (51,1 cm)
- C. 2 27/32" (7,2 cm)

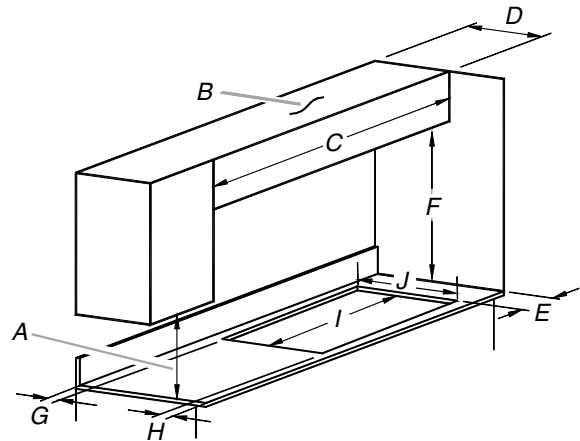
## Emplacements des raccordements des sources de gaz et d'électricité



- A. Détendeur (fourni) - flèche pointée vers la table de cuisson
- B. Prise de courant à 3 broches reliée à la terre avec polarité correcte
- C. 18" (45,7 cm) minimum
- D. Robinet d'arrêt

## Dégagements de séparation à respecter

**IMPORTANT :** En cas d'installation d'une hotte ou d'un ensemble hotte/micro-ondes au-dessus de la cuisinière, suivre les instructions fournies avec la hotte concernant les dimensions de dégagement à respecter au-dessus de la surface de la table de cuisson.



- A. 18" (45,7 cm) de dégagement minimum entre placard mural et plan de travail
- B. Placard
- C. 30" (76,2 cm) sur les modèles de 30" (76,2 cm); 36" (91,4 cm) sur les modèles de 36" (91,4 cm)
- D. Profondeur maximum recommandée des placards muraux 13" (33 cm)
- E. 6" (15,2 cm) de dégagement minimum de la paroi latérale
- F. Dégagement minimum de 30" (76,2 cm) entre le sommet de la plate-forme de la table de cuisson et le fond du placard de bois ou de métal non couvert  
Dégagement de séparation de 24" [61 cm] ou plus lorsque le fond d'un placard de bois ou de métal est couvert par une planche ignifugée d'au moins 1/4" [0,6 cm] recouverte d'une feuille métallique d'épaisseur égale ou supérieure à : acier calibre 28 MSG, acier inoxydable 0,015" [0,04 cm], aluminium 0,024" [0,06 cm], ou cuivre 0,020" [0,05 cm].
- G. Distance de séparation de 2 3/16" (5,9 cm) ou plus par rapport à une surface de matériau combustible à l'arrière
- H. Distance minimum de 3 3/16" (8,1 cm) jusqu'au bord avant du plan de travail
- I. Largeur de l'ouverture - 29 3/8" (74,6 cm) sur les modèles de 30"; 35 3/8" (89,9 cm) sur les modèles de 36"
- J. Profondeur de l'ouverture - 19 1/2" (49,5 cm)

**REMARQUES :** Après le découpage de l'ouverture dans le plan de travail, dans certaines configurations d'installation il sera nécessaire d'entailler les parois latérales du placard inférieur pour le passage de la boîte des brûleurs. Pour éviter cette modification, utiliser un placard inférieur dont la largeur des parois latérales est supérieure à celle de l'ouverture découpée.

Si le placard comporte un tiroir, on devra ménager une distance de séparation de 4" (10,2 cm) entre le plan de travail et le sommet du tiroir (ou autre obstruction) dans le placard inférieur. Il pourra être nécessaire de réduire la profondeur du tiroir pour éviter une interférence avec le détendeur.

## Spécifications électriques

### **⚠️ AVERTISSEMENT**



#### Risque de choc électrique

Brancher sur une prise à 3 alvéoles reliée à la terre.

Ne pas enlever la broche de liaison à la terre.

Ne pas utiliser un adaptateur.

Ne pas utiliser un câble de rallonge.

Le non-respect de ces instructions peut causer un décès, un incendie ou un choc électrique.

**IMPORTANT :** La table de cuisson doit être correctement reliée à la terre en conformité avec les codes et règlements locaux en vigueur, ou en l'absence de tels codes, avec le National Electrical Code, ANSI/NFPA 70 ou le Code canadien des installations électriques, CSA C22.1.

Cette table de cuisson est dotée d'un système d'allumage électronique qui ne fonctionnera pas en cas de branchement dans une prise qui n'est pas correctement polarisée.

Cette table de cuisson est dotée d'un système d'allumage électronique qui ne fonctionnera pas en cas de branchement sur un circuit avec disjoncteur de fuite à la terre.

Si les codes le permettent et si on utilise un conducteur distinct de liaison à la terre, il est recommandé qu'un électricien qualifié vérifie la qualité de la liaison à la terre.

Pour obtenir un exemplaire de la norme des codes ci-dessus, contacter :

National Fire Protection Association  
1 Batterymarch Park  
Quincy, MA 02169-7471

CSA International  
8501 East Pleasant Valley Road  
Cleveland, OH 44131-5575

- L'appareil doit être alimenté par un circuit de 120 V, CA seulement, 60 Hz, 15 ampères, protégé par fusible. On recommande également d'utiliser un fusible ou un disjoncteur temporisé. Il est recommandé de raccorder la table de cuisson sur un circuit distinct exclusif à cet appareil.
- Les systèmes d'allumage électronique fonctionnent avec des limites de tension étendues, mais une liaison à la terre correcte et une polarité appropriée sont nécessaires. Vérifier que la prise fournit une alimentation de 120 V et qu'elle est correctement reliée à la terre.
- Les schémas de câblage sont fournis avec cette table de cuisson. Voir la section "Schémas de câblage".

## Spécifications de l'alimentation en gaz

### **⚠️ AVERTISSEMENT**



#### Risque d'explosion

Utiliser une canalisation neuve d'arrivée de gaz approuvée par la CSA International.

Installer un robinet d'arrêt.

Bien serrer chaque organe de connexion de la canalisation de gaz.

En cas de connexion au gaz propane, demander à une personne qualifiée de s'assurer que la pression de gaz ne dépasse pas 36 cm (14 po) de la colonne d'eau.

Par personne qualifiée, on comprend :

le personnel autorisé de chauffage,  
le personnel autorisé d'une compagnie de gaz, et  
le personnel d'entretien autorisé.

Le non-respect de ces instructions peut causer un décès, une explosion ou un incendie.

Observer les dispositions de tous les codes et règlements en vigueur.

**IMPORTANT :** L'installation doit satisfaire aux critères de tous les codes et règlements locaux. En l'absence de code local, l'installation doit satisfaire aux prescriptions de la plus récente édition du code national en vigueur : National Fuel Gas Code ANSI Z223.1 ou CAN/CGA B149.

**IMPORTANT :** Les tests de fuite de la table de cuisson doivent être effectués selon les instructions du fabricant.

### Type de gaz

#### Gaz naturel :

La conception de cette table de cuisson a été homologuée par Underwriters Laboratories (UL/cUL) pour l'alimentation au gaz naturel, ou pour l'alimentation au propane après conversion adéquate.

- Cette table de cuisson a été configurée à l'usine pour l'alimentation au gaz naturel. Pour effectuer la conversion pour une alimentation au propane, voir les instructions de conversion de gaz fournies dans le sachet de documentation. La plaque signalétique située sur la face inférieure de la boîte des brûleurs indique les types de gaz utilisables. Si le type de gaz disponible n'est pas mentionné sur la plaque signalétique, consulter le fournisseur local.

#### Conversion pour l'alimentation au propane :

L'opération de conversion doit être exécutée par un technicien de réparation qualifié.

Ne pas entreprendre de convertir la table de cuisson pour l'utilisation d'un gaz différent de celui indiqué sur la plaque signalétique sans d'abord consulter le fournisseur de gaz. Voir les instructions de conversion de gaz fournies dans le sachet de documentation.

## Canalisation de gaz

- Installer une canalisation de gaz rigide de ¾" (1,9 cm) jusqu'à l'emplacement d'installation de la table de cuisson. L'emploi d'une canalisation de plus petit diamètre ou plus longue peut causer une déficience du débit d'alimentation. On doit utiliser un composé d'étanchéité des tuyauteries résistant à l'action du gaz propane. Ne pas utiliser de ruban TEFLON<sup>†</sup>. Pour l'alimentation au propane, le diamètre des canalisations doit être de ½" ou plus. Usuellement, le fournisseur de gaz propane détermine les matériaux à utiliser et le diamètre approprié.

### Raccord métallique flexible :

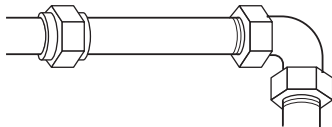
- Si les codes locaux le permettent, utiliser un connecteur à gaz flexible en acier inoxydable de 5/8", conçu par CSA pour raccorder la table de cuisson à la canalisation rigide d'alimentation en gaz.



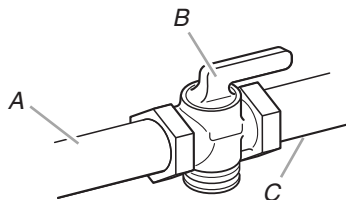
- Un raccord avec filetage mâle de ½" (1,3 cm) est nécessaire pour la connexion sur le raccord à filetage femelle à l'entrée du détendeur de la table de cuisson.
- Ne pas déformer/écraser/endommager le tube métallique flexible lors d'un déplacement de la table de cuisson.

### Raccordement par un ensemble rigide :

On doit utiliser une combinaison de raccords pour réaliser un raccordement rigide entre la table de cuisson et la canalisation de gaz. Le tuyau rigide doit se trouver au même niveau que le raccord de connexion de la table de cuisson. On doit veiller à ne soumettre les sections de canalisation d'alimentation à aucun effort de traction ou flexion pour que la table de cuisson soit d'aplomb et correctement alignée.



- Robinet d'arrêt nécessaire : La canalisation d'alimentation doit comporter un robinet d'arrêt manuel. Le robinet d'arrêt manuel doit être séparé de la table de cuisson, mais doit se trouver dans la même pièce. La canalisation doit se trouver en un endroit facilement accessible pour les manœuvres d'ouverture/fermeture. Ne pas entraver l'accès au robinet d'arrêt manuel. Le robinet d'arrêt manuel est prévu pour ouvrir ou fermer l'alimentation en gaz de la table de cuisson.



A. Canalisation de gaz  
B. Robinet d'arrêt manuel - position d'ouverture  
C. Vers table de cuisson

## Détendeur

Le détendeur fourni avec cette table de cuisson doit être utilisé. La pression d'alimentation du détendeur doit être comme suit pour un fonctionnement correct :

### Gaz naturel :

Pression minimum : 6" (15,2 cm) (colonne d'eau)

Pression maximum : 14" (35,5 cm) (colonne d'eau)

### Gaz propane :

Pression minimum : 11" (27,9 cm) (colonne d'eau)

Pression maximum : 14" (35,5 cm) (colonne d'eau)

En cas d'incertitude quant à la pression d'alimentation à établir, contacter le fournisseur de gaz local.

## Caractéristiques d'alimentation du brûleur

Les débits thermiques indiqués sur la plaque signalétique correspondent à une altitude d'utilisation inférieure à 2000 pi (609,6 m).

Lorsque l'appareil est utilisé à une altitude supérieure à 2000 pi (609,6 m), on doit réduire le débit thermique indiqué de 4 % pour chaque tranche de 1000 pi (304,8 m) au-dessus du niveau de la mer (non applicable au Canada).

## Test de pressurisation de la canalisation de gaz

### Pressurisation à une pression supérieure à ½ lb/po<sup>2</sup> (14" - colonne d'eau)

Lors de tout test de pressurisation de ce système à une pression supérieure à ½ lb/po<sup>2</sup> (3,5 kPa), on doit déconnecter la table de cuisson et son robinet d'arrêt individuel de la canalisation de gaz.

### Pressurisation à une pression relative de ½ lb/po<sup>2</sup> (14" - colonne d'eau) ou moins

Lors de tout test de pressurisation de la canalisation de gaz à une pression égale ou inférieure à ½ lb/po<sup>2</sup> (3,5 kPa), on doit isoler la table de cuisson de la canalisation de gaz par fermeture de son robinet d'arrêt manuel individuel.

# INSTRUCTIONS D'INSTALLATION

## Préparation de la table de cuisson pour l'installation

### **⚠ AVERTISSEMENT**

#### Risque du poids excessif

Utiliser deux ou plus de personnes pour déplacer et installer la table de cuisson.

Le non-respect de cette instruction peut causer une blessure au dos ou d'autre blessure.

Prendre note des numéros de modèle et de série avant d'installer la table de cuisson. Les deux numéros sont situés sur la partie inférieure centrale de la boîte des brûleurs.

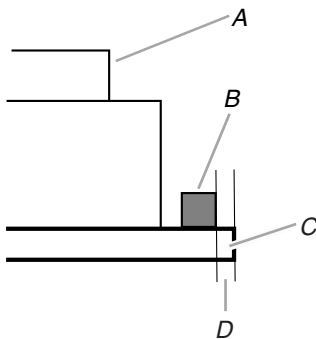
Déballer les pièces fournies avec la table de cuisson. Les pièces expédiées avec la table de cuisson dépendent du modèle commandé. Voir la section "Outillage et pièces" pour une liste complète des pièces fournies avec la table de cuisson.

Déterminer l'emplacement final de la table de cuisson. Repérer le câblage existant pour éviter de le percer ou de l'endommager lors de l'installation.

Le détendeur et le connecteur à gaz flexible en acier inoxydable peuvent être raccordés à la table de cuisson maintenant ou après l'installation de la table de cuisson dans l'ouverture. Voir la section "Raccordement au gaz".

1. À deux personnes ou plus, placer la table de cuisson à l'envers sur une surface couverte.
2. Enlever la bande de mousse de l'emballage. Retirer l'endos de la bande de mousse. Appliquer le côté adhésif de la bande de mousse sur la partie inférieure de la table de cuisson,  $\frac{1}{16}$ " (1,6 mm) à partir du bord des côtés du châssis en acier inoxydable et à l'arrière.

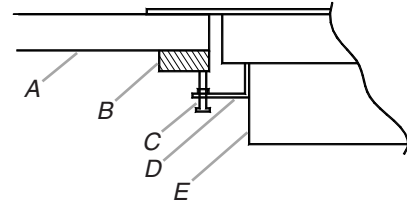
**REMARQUE :** La bande de mousse protège la face inférieure du châssis de la table de cuisson des débris et l'aide à reposer à plat sur des plans de travail irréguliers.



A. Boîte des brûleurs  
B. Bande de mousse  
C. Châssis en acier inoxydable  
D.  $\frac{1}{16}$ " (1,6 mm)

## Installation de la table de cuisson

1. Ôter les 2 vis situées de chaque côté de la boîte des brûleurs de la table de cuisson.
2. Fixer les 2 brides de retenue à la boîte des brûleurs.
3. Installer la table de cuisson dans l'ouverture du plan de travail en inclinant une extrémité de la table de cuisson dans l'ouverture, puis en abaissant l'autre extrémité dans l'ouverture.
4. Fixer les vis de retenue à la bride de retenue. Voir l'illustration ci-dessous.



A. Plan de travail  
B. Cale en bois  
C. Vis de retenue  
D. Bride de retenue  
E. Boîte des brûleurs

5. Centrer la table de cuisson dans l'ouverture et, en utilisant une cale en bois entre la vis et le plan de travail, serrer les vis modérément pour fixer la table de cuisson.

**IMPORTANT :** Ne pas serrer les vis directement contre le plan de travail.



## Raccordement au gaz

### **AVERTISSEMENT**



#### Risque d'explosion

Utiliser une canalisation neuve d'arrivée de gaz approuvée par la CSA International.

Installer un robinet d'arrêt.

Bien serrer chaque organe de connexion de la canalisation de gaz.

En cas de connexion au gaz propane, demander à une personne qualifiée de s'assurer que la pression de gaz ne dépasse pas 36 cm (14 po) de la colonne d'eau.

Par personne qualifiée, on comprend :

le personnel autorisé de chauffage,  
le personnel autorisé d'une compagnie de gaz, et  
le personnel d'entretien autorisé.

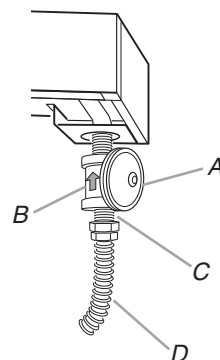
Le non-respect de ces instructions peut causer un décès, une explosion ou un incendie.

#### Assemblage du détendeur :

1. Placer la table de cuisson en appui sur le côté ou la face arrière; avec l'aide de deux personnes ou plus.
2. Connecter le raccord flexible d'acier inoxydable au détendeur - utiliser un raccord d'adaptation comportant un filetage mâle de 1/2" (NPT).

On doit utiliser une combinaison de raccords de tuyauterie pour raccorder la table de cuisson à l'alimentation en gaz existante. On voit ci-dessous une illustration d'un raccordement typique. Le raccordement peut varier, selon le type d'alimentation, la dimension et l'emplacement.

3. Installer le détendeur; orienter la flèche vers le haut, vers le fond de la boîte des brûleurs et de telle manière que le détendeur soit accessible.



- A. Détendeur  
B. Flèche vers le haut - Le détendeur doit être installé avec la flèche pointant vers le haut (vers le fond de la table de cuisson).  
C. Raccord d'adaptation - avec filetage mâle NPT 1/2"  
D. Canalisation de gaz flexible en acier inoxydable (homologation UL ou CSA)

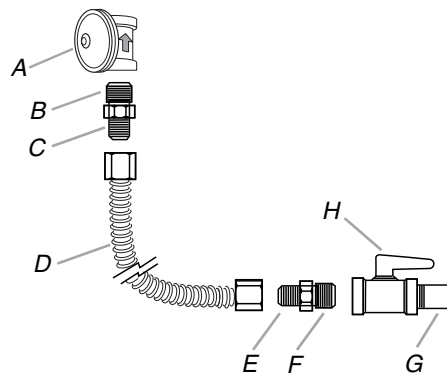
**IMPORTANT :** Tous les raccords doivent être bien serrés à l'aide d'une clé. Ne pas serrer excessivement la connexion sur le détendeur. Un serrage excessif pourrait provoquer une fissuration du détendeur et une fuite de gaz. Lors du serrage d'un raccord, empêcher le détendeur de tourner sur le tuyau.

Utiliser uniquement un composé d'étanchéité des tuyauteries conçu pour l'utilisation avec le gaz naturel ou le propane.

Ne pas utiliser de ruban TEFLON®. Il sera nécessaire de choisir les raccords à utiliser en fonction de la configuration d'installation.

#### Raccordement typique par raccord flexible

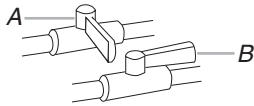
1. Appliquer un composé d'étanchéité des filetages résistant au propane sur l'extrémité filetée la plus grosse des adaptateurs de raccord flexible (voir B et F ci-dessous).
2. Fixer un raccord d'adaptation sur le régulateur de pression du gaz et l'autre raccord d'adaptation sur le robinet d'arrêt de la canalisation de gaz. Serrer les deux raccords d'adaptation.
3. Utiliser une clé mixte de 15/16" et une pince multiprise pour fixer le raccord flexible sur les raccords d'adaptation. Veiller à ne pas déformer/écraser le raccord flexible.



- A. Détendeur  
B. Appliquer un composé d'étanchéité  
C. Raccord d'adaptation - avec filetage mâle NPT 1/2"  
D. Raccord flexible de 5/8" min.  
E. Raccord d'adaptation - avec filetage mâle NPT 1/2"  
F. Appliquer un composé d'étanchéité.  
G. Tuyau de gaz 1/2" ou 3/4"  
H. Robinet d'arrêt manuel

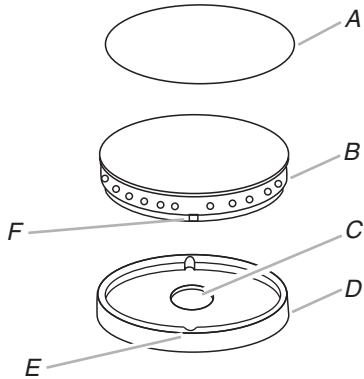
## Compléter le raccordement

1. Ouvrir le robinet d'arrêt manuel sur la canalisation de gaz. Le robinet est ouvert lorsque la manette est parallèle à la canalisation.



A. Robinet fermé  
B. Robinet ouvert

2. Vérifier tous les raccordements en les badigeonnant d'une solution de détection des fuites non corrosive approuvée. L'apparition de bulles indique une fuite. Réparer toute fuite éventuelle.
3. Ôter les têtes, chapeaux et grilles de brûleur de surface du sachet de pièces. Insérer l'onglet de la tête de brûleur dans l'encoche de la base du brûleur. Placer le chapeau de brûleur sur la tête de brûleur. Une tête de brûleur correctement placée doit être horizontale. Si les têtes de brûleur ne sont pas correctement placées, les brûleurs de surface risquent de ne pas s'allumer et une génération constante d'étincelles peut se produire. Placer les grilles de brûleur sur les brûleurs et chapeaux.



A. Chapeau de brûleur  
B. Tête de brûleur  
C. Ouverture de tube d'arrivée de gaz  
D. Base du brûleur  
E. Encoche  
F. Onglet

## Achever l'installation

### Système d'allumage électronique

#### Contrôle du fonctionnement des brûleurs de surface

1. Enfoncer et tourner les boutons de commande de brûleur de surface à la position "HI" (élevé).  
Le gaz doit s'enflammer sur le brûleur de surface en moins de 4 secondes. Lors de l'allumage initial du brûleur de surface, le délai d'allumage peut être supérieur à 4 secondes du fait de la présence d'air dans la canalisation de gaz.
2. Vérifier que la flamme est bleue à la position "HI". Elle doit être propre et douce. On ne doit pas observer de pointe jaune, ni d'effet de soufflage ou de séparation entre les flammes et le brûleur. Il est normal d'observer parfois des éclairs oranges; ceci est dû à différents éléments dans l'air ou le gaz.
3. Répéter à la position "LO" (bas).
4. Après avoir vérifié le bon fonctionnement du brûleur, tourner les boutons de commande à "OFF" (arrêt).

#### Si le brûleur ne s'allume pas correctement :

- Ramener le bouton de commande du brûleur de surface à la position "OFF".
- Vérifier que le cordon d'alimentation est branché et correctement alimenté (fusible grillé? disjoncteur ouvert?)
- Vérifier que chaque robinet d'arrêt est ouvert.
- Vérifier que les chapeaux et têtes de brûleur sont correctement placés sur la base du brûleur.

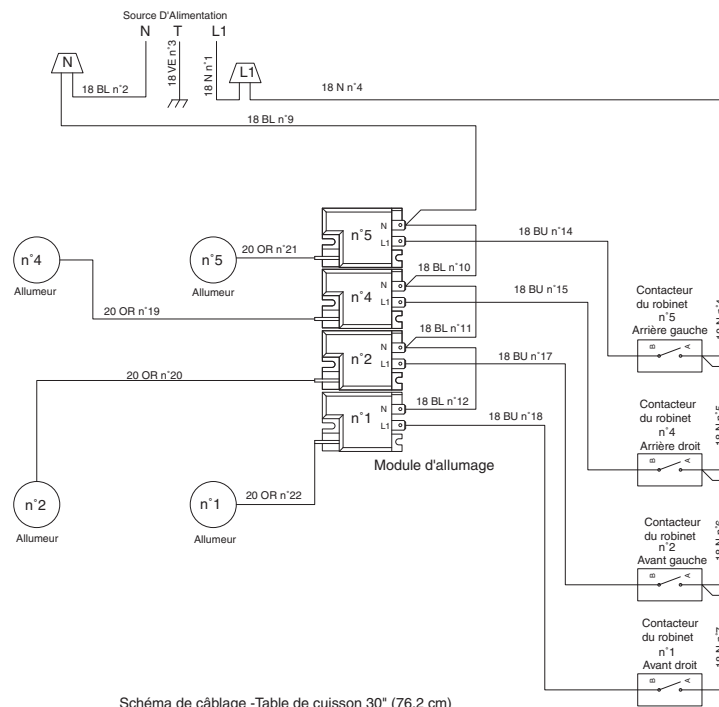
S'assurer à nouveau du bon fonctionnement des brûleurs. Si un brûleur ne s'allume toujours pas, contacter le revendeur ou un réparateur agréé.

# SCHÉMAS DE CÂBLAGE

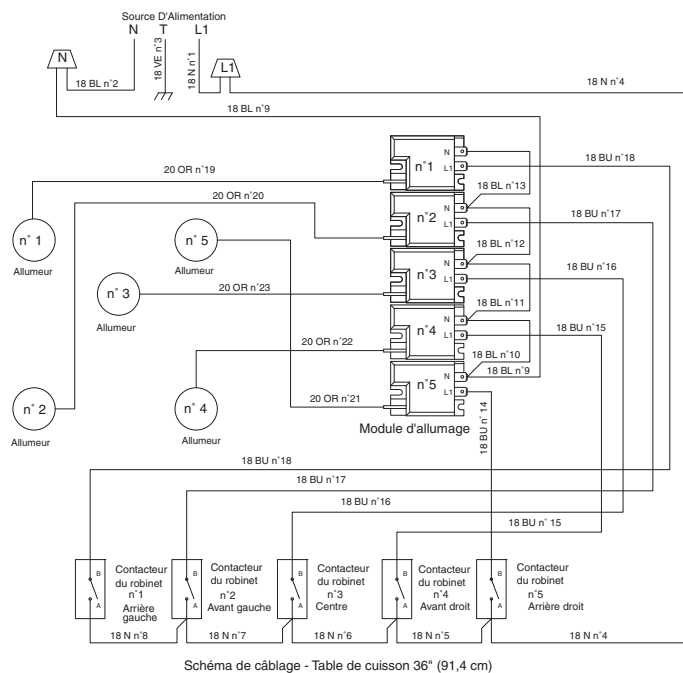
**MISE EN GARDE :** Lors des contrôles d'entretien, placer des étiquettes sur l'ensemble des câbles avant leur débranchement. Des erreurs de câblage peuvent occasionner un fonctionnement incorrect et dangereux.

Le cordon d'alimentation sur cet appareil est équipé d'une fiche à 3 broches reliée à la terre qui s'adapte à toute prise standard à 3 alvéoles reliée à la terre. S'assurer du bon fonctionnement après l'entretien.

## Sur les modèles de 30" (76,2 cm)



## Sur les modèles de 36" (91,4 cm)



**9761893B**

© 2012 Whirlpool Corporation.  
All rights reserved.  
Tous droits réservés.

8/12  
Printed in U.S.A.  
Imprimé aux É.-U.