

ULTRACOOOL

MOBILE EVAPORATIVE COOLER

Manual Control Units

M201A

M301A

M401A

Remote Control Units

RM301A

RM401A



Circle the model of your cooler and record the serial number below.

Encierre con un circulo el modelo de su enfriador y escribe el número de serie abajo.

Serial #

Número De Serie _____

Read Carefully All Of This Manual Before Installing The Unit.

Lea Con Cuidado Todo Este Manual Antes De Instalar La Unidad.

Read And Save These Instructions

Vea el Español en el interior

Evaporative Cooling

Evaporative cooling is nature's way of cooling. When air is moved over a wet surface, water is evaporated and heat is absorbed. When stepping out of a swimming pool with the wind blowing, evaporative cooling makes you feel cool, even though the air may be warm. The human body itself is cooled primarily by the evaporation of perspiration.

This unit works on the same principle. Air is drawn across wet filter pads where the air is cooled by evaporation and then circulated throughout the building. It is this combination of cooled air and the movement of air over the skin which makes it feel cool.

Unlike refrigeration systems which recirculate the air, an evaporative cooler continually brings in fresh air while exhausting old air. You are completely replacing the air every 2 to 4 minutes by opening windows or doors or a combination of both. The air is always fresh, not stale, laden with smoke and odors as happens with refrigerated air conditioning.

Safety Rules

1. Read these instructions carefully.
2. Unit must be in the **Off Position** and **Unplugged** from power receptacle when installing or performing any maintenance.
3. This cooler will run on 120 volt A.C., 60 Hz (cycle) current only.
4. Motor and pump are grounded and have an automatic thermal overload switch which will shut motor off if it overheats. The motor will restart automatically when it cools down.
5. Pump receptacle is for grounded evaporative cooler pump only. Do not plug anything else into receptacle.

⚠WARNING: To reduce the risk of fire or electric shock, do not use this fan with any "solid-state fan speed control device."

Operation

Manual Control Units

- **Pump setting.** The rotary switch has 6 settings. The “Pump” setting will operate the pump without the blower. For best results turn the switch to “Pump” for a few minutes to wet the pads before operating the fan.
- **High and low cool settings.** The “High Cool” and “Low Cool” settings operate both the pump and the blower. Turn the unit to “Low Cool” when possible. This lower speed allows the air to stay longer in the wet pads and therefore increases it’s cooling efficiency.
- **High and low vent settings.** The “High Vent” and “Low Vent” settings operate the blower without the pump. This is useful on cool nights or at times when just a fan is desired.

Remote Control Units

These units may be controlled using the 3 buttons on the front panel of the cooler or with the remote control.

- **PUMP button.** Pressing this button toggles the pump on and off. When the LED is lit, the pump is running. For best results turn on the pump for a few minutes to wet the pads before operating the fan. The pump must be on while operating the fan for cooling. You may also want the pump turned off at times when just a fan is desired.
- **FAN button.** Pressing this button will cycle the fan through High Speed / Low Speed / Off. The LED’s on the front of the control indicate whether the fan is on high speed, low speed or off (no LED’s lit). **Note: There will be a 2 second delay between a button press and the operation of the fan.**
- **ON/OFF button.** Pressing this button while the pump or fan is on will turn everything off. Pressing it again while in the off state will return the fan and pump to their previous operating settings. When first plugging in the cooler or after power has been interrupted, pressing the On/Off button will start the cooler in the default state which is with the pump on and the fan on high.
- **Remote Control.** To operate the cooler with the remote you must be within 20 feet and in sight of the cooler. Aim the remote at the front panel. The buttons on the remote control have the same functions as the buttons on the front panel of the cooler. The remote uses two AAA alkaline batteries which are included. A holder for mounting on a wall is also included with the unit.

Exhaust Air

If the unit is used in an enclosed area, open windows or doors to ensure adequate exhaust. Without an outlet to exhaust the air, humidity will build up in the enclosed space and the unit will not cool adequately.

Cooler Installation

Installing Casters

Note: The installation kit includes (2) swivel casters with brake, (2) swivel casters without brake, (16) tinnerman nuts and (16) 1/4-20 x 1/2 screws.

- Place the unit on its side. Place the tinnerman nuts on the caster bracket on the bottom pan as shown in figure 1.
- Attach the casters to the brackets with the screws provided.

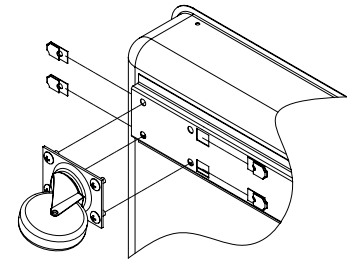


Fig. 1

Connecting Water

- **Install drain assembly.** Place the nipple through the hole in the pan, with the rubber washer between the pan and the head of the drain nipple (Fig. 2). Thread nut onto nipple and draw up tight against bottom of pan. Thread the drain cap to the nipple and tighten water tight.

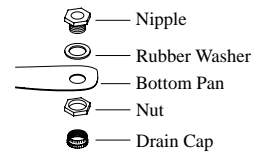
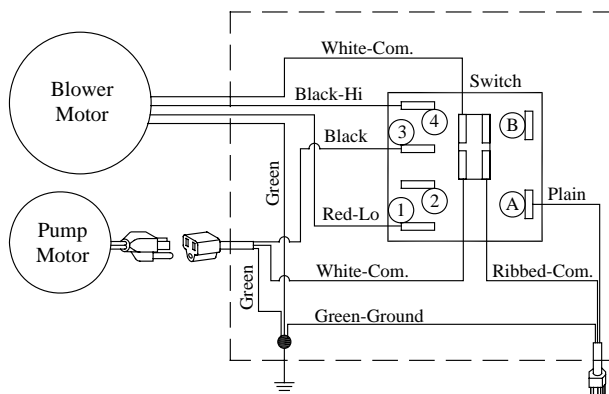


Fig. 2

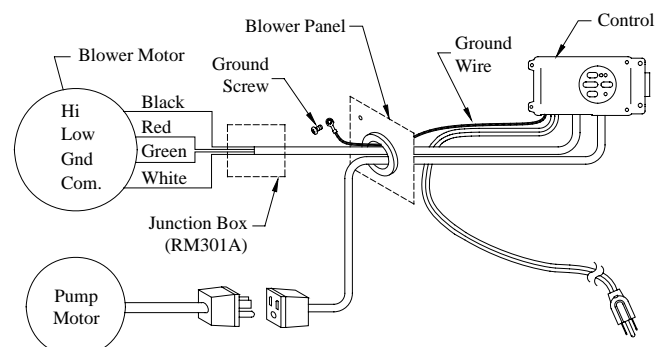
- **Install float valve.** Refer to figure 3. Install the valve in the provided hole in the corner post ((R)M301A, (R)M401A) or louvered side (M201A) using the provided washer and nut. Install the included garden hose adapter to the float as shown if attaching a garden hose to the unit. A 1/4 inch water line may also be used to supply a continuous amount of water to the unit.
- **Fill pan with water.** You may fill the pan manually for up to 3 hours of cooling. For automatic filling you may attach a garden hose to the garden hose adapter or a 1/4 inch water line to the float valve.

Wiring Diagrams

Manual Control



Remote Control



Note: Do Not Overfill. Fill water to a maximum height of 2 1/2 inches (approximately 1 inch from the top of the bottom pan). If using a garden hose, the float will need to be adjusted to maintain this water level. This can be accomplished by bending the float rod.

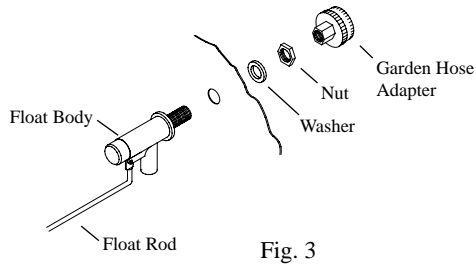


Fig. 3

Maintenance

⚠WARNING: Before doing any maintenance be sure power is off and unit is unplugged. This is for your safety.

Annual Maintenance

- **Oil bearings.** The blower bearings (M401A & RM401A only) and cooler motor in this unit should be oiled with a few drops of non-detergent 20/30 weight oil once each year. The motor does not need oil if it has no oil lines for oiling. Motors that have no oil lines are lifetime oiled at the factory and require no further oiling for the life of the unit.

⚠CAUTION: Do not over oil. Over oiling can cause motor burn out, due to excessive oil getting into motor winding.

- **Change Pads.** Pads should be replaced once or twice a season, depending upon the length of the season. At the beginning and at mid season a clean pad is more absorbent and efficient and will deliver substantially more cool air.

- **Check belt and belt tension.** This applies only to models (R)M401A which are belt driven. Models M201A and (R)M301A have direct drive motors. Check the belt for any cracks or wear and

replace if necessary. Check the tension on the belt. A 3 lb. force should deflect the belt 3/4 inches (see Fig. 4). Readjust belt if needed.

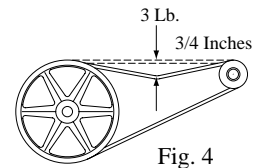


Fig. 4

- **Clean pump.** Cleaning the pump is necessary once a year at start-up. For your safety, turn unit off and unplug unit and pump. Remove the pump from the mount slot. Remove the base of the pump (Fig. 5). Clean the pump and turn the impeller to ensure free operation. Remove the pump spout and check for any blockage. After cleaning, reinstall the base onto the pump. Press firmly to make sure it is secure. Reattach the pump to the mount in the cooler using the plastic retainer to ensure that the pump will not overturn. Do not forget to replace the spout and water delivery tube onto the pump outlet.

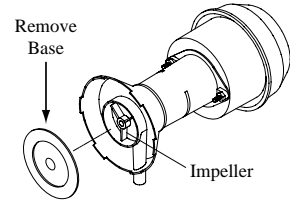


Fig. 5

Routine Maintenance

- **Drain water.** It is recommended to drain the water from the cooler at least once a week. Keeping fresh water in the pan will help prevent scale and mineral deposits accumulation on the pads. Always drain all of the water out of the cooler when not in use for prolonged periods, and particularly at the end of the season.

- **Unplug unit from power supply during extended periods of non-use.**

- **Cover unit or store inside when not in use.**

By following the operating, installation, and maintenance suggestions as outlined, you can get many years of efficient and satisfactory service from your cooler. In the event additional information is desired, your dealer will be more than glad to assist you in every possible way.

Register your product online at www.championcooler.com/eac/onlineregistration-eac.htm

Limited Warranty

This warranty is extended to the original purchaser of an evaporative cooler installed and used under normal conditions. It does not cover damages incurred through accident, neglect, or abuse by the owner. We do not authorize any person or representative to assume for us any other or different liability in connection with this product.

Terms And Conditions Of The Warranty

For Two Years from date of purchase, we will replace any original component provided by Champion Cooler which fails due to any defect in material or factory workmanship only.

Exclusions From The Warranty

We are not responsible for replacement of cooler pads. These are disposable components and should be replaced periodically. We are not responsible for any incidental or consequential damage resulting from any malfunction.

We are not responsible for any damage received from the use of water softeners, chemicals, descale material, plastic wrap, or if a motor of a higher horsepower than what is shown on the serial plate is used in the unit.

We are not responsible for the cost of service calls to diagnose cause of trouble, or labor charge to repair and/or replace parts.

How To Obtain Service Under This Warranty

Contact the Dealer where you purchased the evaporative cooler. If for any reason you are not satisfied with the response from the dealer, contact the Customer Service Department: Champion Cooler, 5800 Murray Street, Little Rock, Arkansas 72209. 1-800-643-8341. info@championcooler.com.

This limited warranty applies to the original purchaser only.

Troubleshooting

<u>Problem</u>	<u>Possible Cause</u>	<u>Remedy</u>
Failure to start or no air delivery	<ol style="list-style-type: none"> No electrical power to unit <ul style="list-style-type: none"> Fuse blown Circuit breaker tripped Electric cord unplugged or damaged Belt too loose or tight Motor overheated <ul style="list-style-type: none"> Belt too tight Blower bearings dry Motor locked 	<ol style="list-style-type: none"> Check power <ul style="list-style-type: none"> Replace fuse Reset breaker Plug in cords or replace if damaged Adjust belt tension Determine cause of overheating <ul style="list-style-type: none"> Adjust belt tension Oil blower bearings Replace motor
Inadequate air delivery with cooler running	<ol style="list-style-type: none"> Insufficient air exhaust Belt too loose Pads plugged 	<ol style="list-style-type: none"> Open windows or doors to increase air flow Adjust belt tension or replace if needed Replace pads
Inadequate cooling	<ol style="list-style-type: none"> Inadequate exhaust in house Pads not wet <ul style="list-style-type: none"> Pads plugged Open spots in pads Trough holes clogged Pump not working properly 	<ol style="list-style-type: none"> Open windows or doors to increase air flow Check water distribution system <ul style="list-style-type: none"> Replace pads Repack pads Clean trough and unplug holes Replace or clean pump

<u>Problem</u>	<u>Possible Cause</u>	<u>Remedy</u>
Motor cycles on and off	<ol style="list-style-type: none"> Low voltage Excessive belt tension Blower shaft tight or locked Bearings dry 	<ol style="list-style-type: none"> Check voltage Adjust belt tension Oil or replace bearings Oil bearings
Noisy	<ol style="list-style-type: none"> Bearings dry Wheel rubbing blower housing Loose parts 	<ol style="list-style-type: none"> Oil bearings Inspect and realign Tighten loose parts
Excessive humidity in house	<ol style="list-style-type: none"> Inadequate exhaust 	<ol style="list-style-type: none"> Open doors or windows
Musty or unpleasant odor	<ol style="list-style-type: none"> Stale or stagnate water in cooler Pads mildewed or clogged Pads not wetting properly <ul style="list-style-type: none"> Trough holes clogged Pump not working properly 	<ol style="list-style-type: none"> Drain pan and clean pads Replace pads Check water distribution system <ul style="list-style-type: none"> Clean Replace or clean pump
Water draining from cooler	<ol style="list-style-type: none"> Float arm not adjusted properly Drain assembly leaking 	<ol style="list-style-type: none"> Adjust float Tighten nut and drain cap.

Specifications / Especificaciones

Model Modelo	Volts Voltios	Amperage Aneraje	Speed Velocidad	Water Capacity (gal) Capacidad de Agua (galón)	Weight (lbs.) Peso (libras)	
					Dry Seco	Operating Lleno
M201A	115	4.7	2	4.8	62	102
M301A / RM301A	115	7.9	2	9.2	107	184
M401A / RM401A	115	10.5	2	11.3	169	263

Replacement Parts List / *Lista De Piezas De Repuesto*

When ordering parts, please be sure to furnish the following information on all orders. Failure to do so may delay your order. /
Al pedir piezas, incluya toda la información siguiente con su pedido. El no proporcionar toda esta información resultará en una demora.

- | | |
|---|---|
| 1. Model number / <i>Modelo</i> | 3. Description and part number / <i>Descripción y número de pieza</i> |
| 2. Serial number / <i>Número de serie</i> | 4. Date of purchase / <i>Fecha de compra</i> |

No. N°	<u>Description / Descripción</u>	<u>M201A</u>	<u>M301A RM301A</u>	<u>M401A RM401A</u>
1.	Bottom Pan / <i>Base De La Caja</i>	322902-503	322904-504	322903-508
2.	Top Pan / <i>Tapa</i>	110844-1	110844-2	110844-3
3.	Blower Support Panel / <i>Panel De Soporte Para El Soplador</i>	222908-004	322908-005	322908-006
4.	Corner Post, With Float Hole / <i>Poste De Esquina, Con Agujero Para Flotador</i>	-	224003-022	224003-032
5.	Corner Post, For Pump Mount / <i>Poste De Esquina, Para Montar La Bomba</i>	-	224003-046	224003-047
6.	Top Support Bracket, Side / <i>Soporte De La Tapa, Lado</i>	-	218170-002 (3)	218170-002 (2)
7.	Top Support Bracket, Back / <i>Soporte De La Tapa, Posterior</i>	218170-001	-	218170-003
8.	Louvered Side, Right / <i>Reja Lateral, Derecha</i>	324102-112	-	-
9.	Louvered Side, Left / <i>Reja Lateral, Izquierda</i>	324102-212	-	-
10.	Louvered Side Assembly / <i>Montaje De Reja Lateral</i>	-	324006-403 (3)	324006-206 (2)
11.	Water Trough, Side / <i>Canal De Agua, Lateral</i>	-	226003-001 (3)	226003-001 (2)
12.	Filter, Side / <i>Filtro, Lateral</i>	110131-1 (2)	110131-3 (3)	110131-4 (2)
13.	Pad Retainer, Side / <i>Soporte Para El Filtro, Lateral</i>	3PW-1 (4)	3PW-3 (9)	3PW-3 (6)
14.	Louvered Back Assembly / <i>Montaje De Reja Posterior</i>	324102-303	-	324007-305
15.	Water Trough, Back / <i>Canal De Agua, Posterior</i>	-	-	226003-002
16.	Filter, Back / <i>Filtro, Posterior</i>	110131-2	-	110131-5
17.	Pad Retainer, Back / <i>Soporte Para El Filtro, Posterior</i>	3PW-2 (2)	-	3PW-5
18.	Blower Housing / <i>Caja De La Rueda</i>	324102-008	324120-001	324103-009
19.	Blower Wheel, Left / <i>Rueda, Izquierda</i>	110747	110764	15BW
19A.	Blower Wheel, Right / <i>Rueda, Derecha</i>	110748	-	-
20.	Shaft, Blower Wheel / <i>Eje De La Rueda</i>	-	-	110182
21.	Bearings, Blower Wheel Shaft / <i>Cojinetes Del Eje De La Rueda</i>	-	-	110351 (2)
22.	Pulley, Blower Wheel / <i>Polea De La Rueda</i>	-	-	110275
23.	Drive Belt / <i>Correa</i>	-	-	110212
24.	Pulley, Motor / <i>Polea Del Motor</i>	-	-	110273
25.	Motor Mount / <i>Montura Del Motor</i>	216002-001 (2)	218109-001 (2)	314003-025
26.	Motor Rail Grommet / <i>Arandela De Goma Para La Montura Del Motor</i>	-	110731 (4)	-
27.	Motor Mount Clips / <i>Seguros Para Montar Motor</i>	-	-	314005-001
28.	Motor / <i>Motor</i>	110441-C	110441-2	110447
29.	Pump / <i>Bomba</i>	110436	110436	110436
30.	Pump Screen / <i>Malla Para La Bomba</i>	281001-001	281001-001	281001-001
31.	Pump Mount / <i>Montura De La Bomba</i>	218001-032	218001-031	218001-031
32.	Pump Retainer / <i>Sujetador De La Bomba</i>	110714	110714	110714
33.	Tube, Water Delivery / <i>Tubo De Agua</i>	310716	310716	310716
34.	Water Distributor Assembly / <i>Sistema Del Distribuidor De Agua</i>	3D-1	3D-2	3D-3
35.	Retaining Clip, Water Distributor / <i>Retén Plástico Para El Distribuidor De Agua</i>	110723 (5)	110723 (6)	110723 (6)
36.	Drain Assembly / <i>Montaje De Desagüe</i>	3DA-1	3DA-1	3DA-1
37.	Float Valve / <i>Válvula Del Flotador</i>	FL-C	FL-C	FL-C
38.	Garden Hose Adapter / <i>Adaptador Para Manguera De Jardín</i>	110824	110824	110824
39.	Swivel Caster w/ Brake / <i>Rueda Giratoria Con Freno</i>	110822-5 (2)	110822-5 (2)	110822-5 (2)
40.	Swivel Caster w/o Brake / <i>Rueda Giratoria Sin Freno</i>	110822-2 (2)	110822-2 (2)	110822-2 (2)
41.	Tinnerman Nut / <i>Tuerca Tinnerman</i>	110916 (16)	110916 (16)	110916 (16)
42.	Lower Front Panel / <i>Panel Delantero Inferior</i>	110844-6	110844-5	110844-5
43.	Mounting Clip / <i>Sujetador De Panel Delantero</i>	-	110844-7 (2)	110844-7 (2)
44.	†Switch Box / <i>Caja Para El Interruptor</i>	222010-002	222010-002†	222010-002†
45.	†Switch / <i>Interruptor</i>	110425	110425†	110425†
46.	†Pump Receptacle / <i>Tomacorriente De La Bomba</i>	110395-1	110395-1†	110395-1†
47.	†Electrical Power Cord / <i>Cable Eléctrico</i>	110394	110394†	110394†
48.	†Electrical Motor Cord / <i>Cable Eléctrico Del Motor</i>	-	-	110366†
49.	†Bushing / <i>Pasacable</i>	110705	110705†	110705†
50.	†Knob, Switch / <i>Perilla Del Interruptor</i>	110839-006	110839-006†	110839-006†
51.	†Grill Assembly, Manual Units / <i>Rejilla Completa, Control Manual</i>	110844-41	110844-41†	110844-41†
51.	‡Grill Assembly, Remote Units / <i>Rejilla Completa, Control A Distancia</i>	-	110844-42‡	110844-42‡
52.	‡Electrical Control Assembly / <i>Montaje De Control Electrónico</i>	-	110400‡	110400‡
53.	‡Dress Ring / <i>Anillo Decorativo</i>	-	110403‡	110403‡
54.	‡Remote Control / <i>Mando A Distancia</i>	-	110401-1‡	110401-1‡
55.	‡Bushing / <i>Pasacable</i>	-	110733‡	110733‡
56.	‡Junction Box / <i>Caja De Conexiones</i>	-	281004-002‡	-
57.	‡Junction Block / <i>Bloque De Conexiones</i>	-	110404‡	-

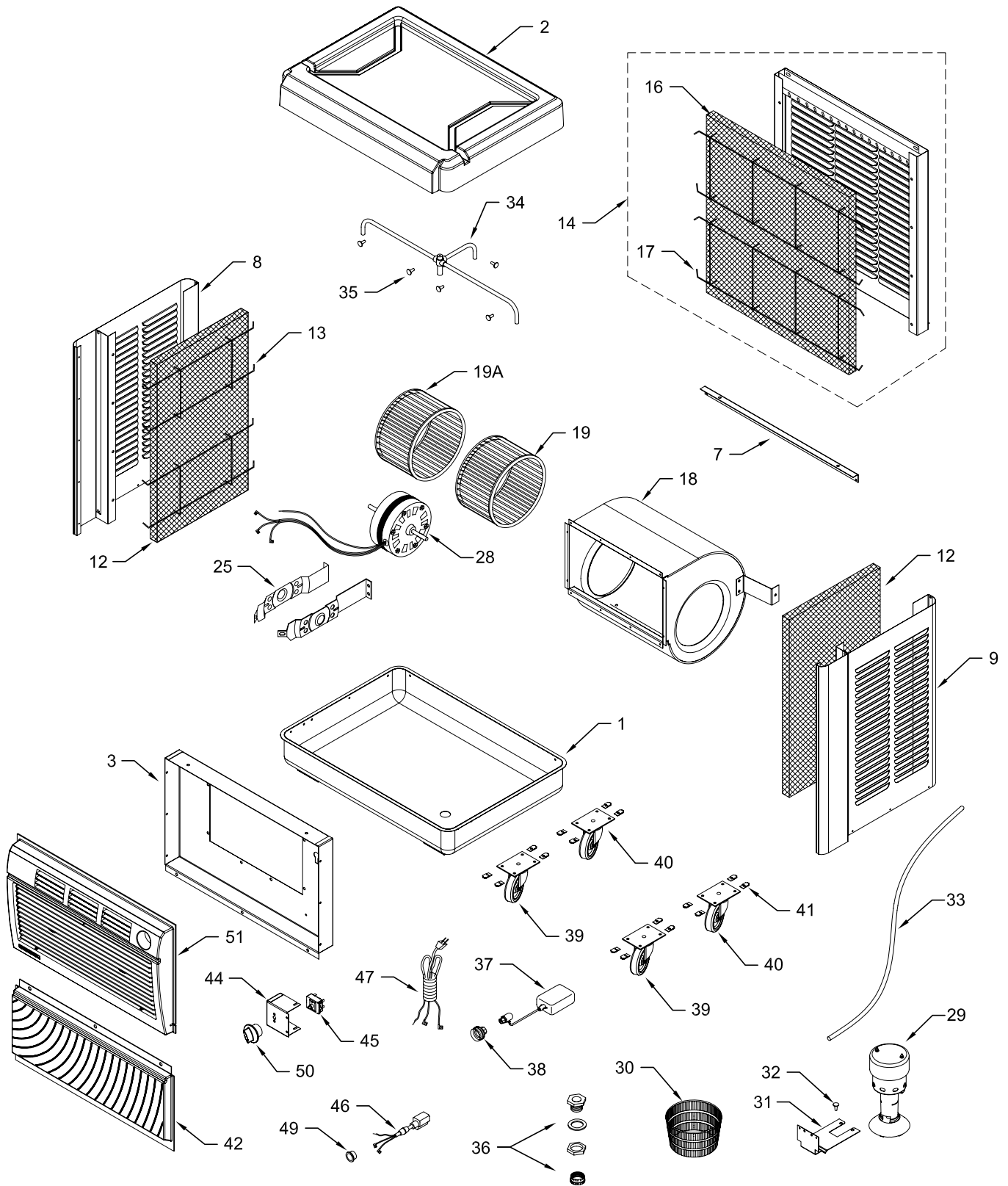
NOTE: Standard hardware items may be purchased from your local hardware store.
 NOTA: *Artículos de uso corriente pueden comprarse en la ferretería de su localidad.*

† For Manual Control units. / *Para las unidades de control manual.*

‡ For Remote Control units. / *Para las unidades de control a distancia.*

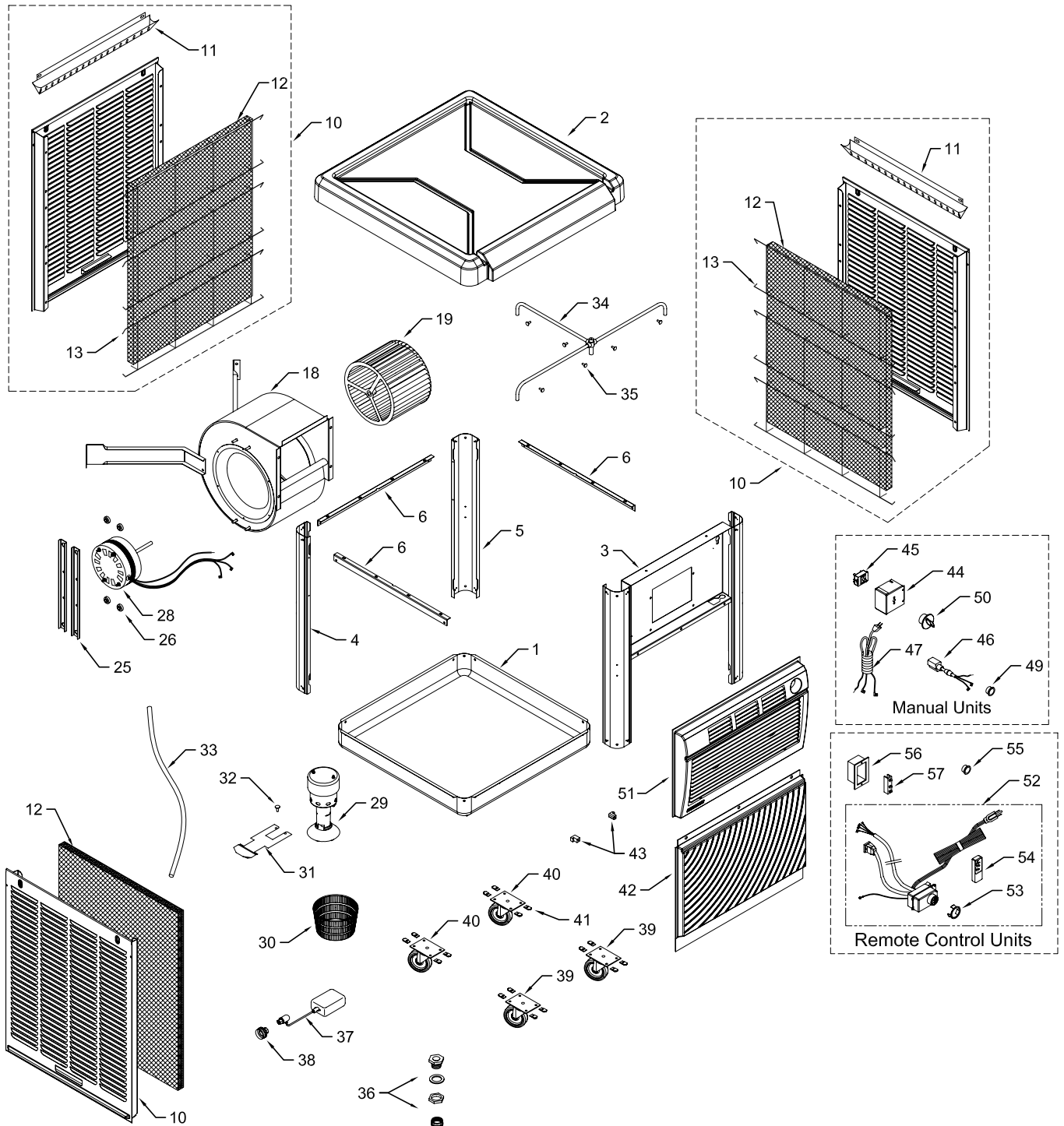
Parts Drawing / Dibujo De Piezas

M201A



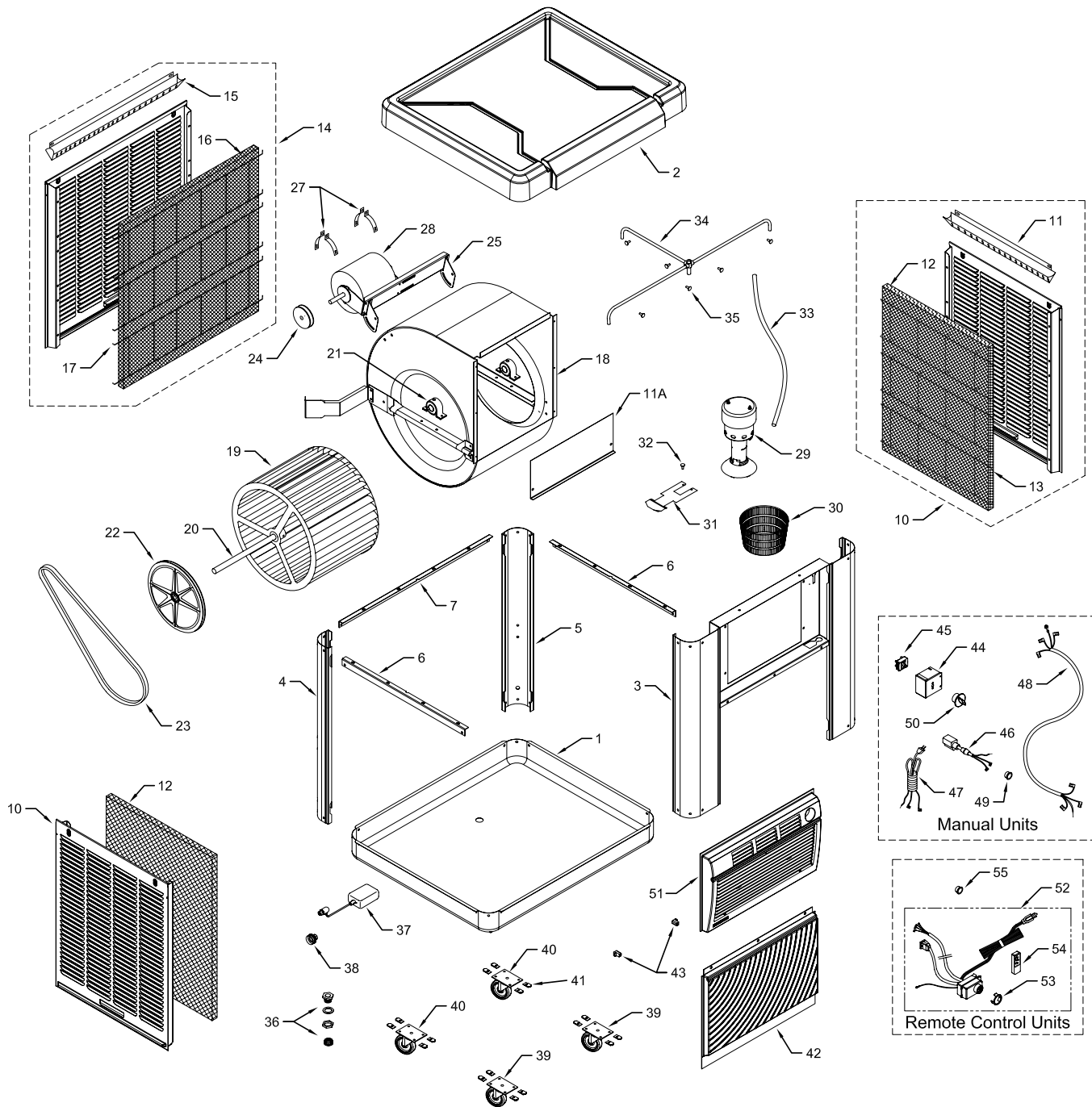
Parts Drawing / Dibujo De Piezas

M301A / RM301A



Parts Drawing / Dibujo De Piezas

M401A / RM401A



Lea y Conserve Estas Instrucciones

Reglas De Seguridad

1. Lea las instrucciones con cuidado.
2. La unidad debe estar **Apagada y Desconectada** de la electricidad cuando se instale o haga cualquier mantenimiento.
3. Su enfriador funciona sólo con corriente alterna de 120 voltios, 60 Hz. (ciclos).
4. El motor y la bomba están conectados con la tierra, y se apagarán automáticamente en caso de sobrecalentamiento. Los motores volverán a funcionar cuando se enfrían.
5. Enchufe una bomba del enfriador evaporativo solamente y nada más al receptáculo de la bomba.

⚠️ADVERTENCIA: Para reducir el riesgo de incendio o toques eléctricos, no use este ventilador con ningún "dispositivo de estado sólido para controlar la velocidad del ventilador."

Enfriamiento Por Evaporación

El enfriamiento por medio de evaporación es la manera de la naturaleza de refrescarse. Cuando el aire se mueve sobre una superficie mojada, se evapora el agua y se absorbe el calor. Al salir de una piscina con el viento que sopla usted se siente fresco, aunque el aire puede ser caliente. El cuerpo humano sí mismo es refrescado principalmente por la evaporación del sudor.

Este enfriador funciona usando el mismo principio. El aire se traza a través de los filtros mojados donde el aire se enfría por medio de evaporación y después circula a través del edificio. Se hace frío de la sensación cuando tiene esta combinación del aire enfriado y del movimiento del aire sobre la piel.

A diferencia de los acondicionadores de aire que recirculan el aire, un enfriador evaporativo trae continuamente por dentro el aire fresco mientras escapa el aire viejo. Se reemplaza completamente el aire cada 2 a 4 minutos, abriendo las ventanas o las puertas o una combinación de ambas. El aire es siempre fresco, no es viciado, cargado de humo y olores como ocurre con los sistemas de aire acondicionado a base de refrigeración.

Operación

Unidades De Control Manual

- **La posición PUMP.** El interruptor tiene seis posiciones. Ajuste el interruptor a la posición PUMP (bomba) para poner en marcha la bomba sin el ventilador. Para mejor resultado ponga en marcha la bomba por unos cuantos minutos para mojar los filtros antes de poner en marcha el ventilador.
- **Los posiciones HIGH COOL y LOW COOL.** Ajuste el interruptor a la posición HIGH COOL o LOW COOL para poner en marcha el ventilador a una alta o baja velocidad junto con la bomba. Ajuste el interruptor a la posición LOW COOL cuando posible. Esta baja velocidad del ventilador permite que el aire se queda más de largo en los filtros mojados y de tal modo produce un aire más fresco.
- **Los posiciones HIGH VENT y LOW VENT.** Ajuste el interruptor a la posición HIGH VENT (alta) o LOW VENT (baja) para poner en marcha el ventilador a una alta o baja velocidad sin la bomba. Este es útil en noches frescas o cuando se desea un ventilador solamente.

Unidades De Control A Distancia

Estas unidades pueden ser controladas con los tres botones en la rejilla por delante del enfriador o con el mando a distancia.

- **El Botón PUMP.** Al presionar este botón pondrá en marcha y apagará la bomba. Cuando está iluminada la luz LED, la bomba está en marcha. Para mejor resultado ponga en marcha la bomba por unos cuantos minutos para mojar los filtros antes de poner en marcha el ventilador. Para tener aire fresco, debe poner en marcha la bomba mientras el ventilador está en marcha. Se puede apagar la bomba cuando se desea un ventilador solamente.
- **El Botón FAN.** Este botón controla el ventilador. Al presionar este botón cuando el ventilador está apagado pondrá en marcha el ventilador a alta velocidad. La segunda prensa pondrá en marcha a baja velocidad, y la prensa siguiente apagará el ventilador. Hay luces LED por el frente del control que indica en cual estado esté el ventilador - alta velocidad, baja velocidad, o apagado (ninguna luz LED iluminada). **Nota: Habrá un retardo de dos segundos entre una prensa del botón y la operación del ventilador.**

- **El Botón ON/OFF.** Al presionar este botón mientras está encendido el ventilador o la bomba apagará todo. Al presionarlo otra vez mientras este apagado volverá el ventilador y la bomba a sus estados de funcionamiento anteriores. Cuando primero enchufe el enfriador o después de que la electricidad se haya interrumpido, presionando el botón On/Off encenderá el enfriador a su estado por defecto lo cual está con la bomba encendido y el ventilador en el estado de alta velocidad.

- **El Mando A Distancia.** Al funcionar el enfriador con el mando a distancia, debe estar no más de 20 pies a distancia y en la vista del enfriador. Apunte el mando a distancia al frente del enfriador. Los botones del mando a distancia tiene las mismas funciones que los botones en el frente del enfriador. El mando a distancia utiliza dos acumuladores alcalinos incluidos de "AAA". Un sostenedor para montar en la pared también se incluye con la unidad.

Escapar El Aire

Si utiliza este enfriador en un espacio encerrado, debe abrir unas ventanas o puertas para escapar el aire adecuadamente. Sin una salida para escapar el aire, la humedad se acumulará en el espacio encerrado y la unidad no se enfriará adecuadamente.

Instalación

Instalar Las Ruedas

- NOTA:** El kit de instalación contiene 2 ruedas giratorias con freno, 2 ruedas giratorias sin freno, 16 tuercas de tinnerman y 16 tornillos.
- Pone la unidad por su lado. Coloque las tuercas de tinnerman por el soporte del rueda como se muestra la figura 1.
 - Coloque los ruedas al soporte con los tornillos probados.

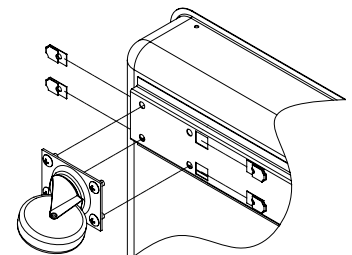


Fig. 1

Conectar El Agua

- **Instale el montaje de desagüe.** Quite la tuerca y pase la boquilla por el agujero de la bandeja, colocando la arandela de goma entre la bandeja y la cabeza de la boquilla (fig. 2). Coloque la tuerca en la boquilla y atorníllela hasta que quede apretada contra la parte inferior de la bandeja. Atornille la tapa del desagüe a la boquilla para retener el agua.

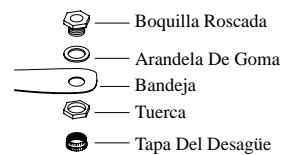


Fig. 2

- **Instale la válvula del flotador.** Refiere a la figura 3. Instale la válvula en el agujero que se encuentra en el poste de esquina ((R)M301A y (R)M401A) o la reja lateral (M201A) usando la tuerca y arandela provistas. Si desea conectar una manguera de jardín para un suministro continuo de agua, instale el adaptador de manguera de jardín como se muestra en la figura. También se puede conectar un tubo de 1/4 pulgadas.

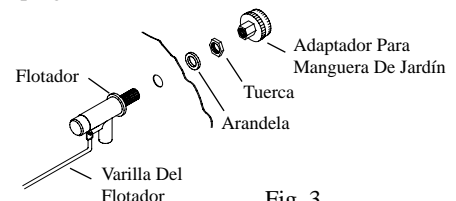


Fig. 3

- **Llene la bandeja con agua.** Se puede llenar la unidad con agua manualmente por hasta 3 horas de aire fresco. Para llenar automáticamente conecte una manguera de jardín al adaptador o un tubo de 1/4 pulgadas al flotador.
Nota: No Sobrellene. Llene el agua hasta una altura máxima de 2 y 1/2 pulgadas (aproximadamente una pulgada por debajo del borde superior de la bandeja). Si utiliza una manguera de jardín, debe ajustar el flotador para que mantenga este nivel. Esto se puede lograr doblando la varilla del flotador para arriba o para abajo.

Mantenimiento

⚠ADVERTENCIA: Antes de hacer cualquier mantenimiento, compruebe que la unidad esté apagada y desconectada de la electricidad. Esto es por su seguridad.

Mantenimiento Anual

- **Lubrique los cojinetes.** Los cojinetes de la rueda (M401A y RM401A solamente) y el motor del ventilador deben ser lubricados usando unas gotas de un aceite no detergente de densidad 20/30 una vez al año. No obstante, los motores sin tuberías para aceite no necesitan ser lubricados. Estos motores son lubricados en la fábrica de por vida y no requieren nunca ninguna lubricación.
- **⚠PRECAUCION:** No lubrique demás. El agregar demasiado aceite puede ocasionar que se queme el motor, a causa del aceite entrando al interior del motor.

- **Compruebe la tensión de la correa.** Esto se aplica solamente a los modelos M401A y RM401A que tienen una correa. Los modelos M201A, M301A y RM301A tienen motores de transmisiones directas sin correas. Una fuerza de 3 libras debe desviar la correa 3/4 pulgadas (véase fig. 4). Ajuste la correa si es necesario. Compruebe el correa para saber si hay grietas o desgaste y reemplácela si es necesario.

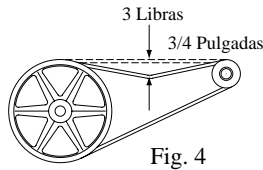


Fig. 4

- **Cambie los filtros.** Debe cambiar los filtros una o dos veces durante cada temporada, según la duración de ésta. Al principio y a mediados de la temporada, un filtro limpio es más absorbente y eficiente y producirá un mayor volumen de aire frío.
- **Limpie la bomba.** Es necesario limpiar la bomba una vez al principio de cada año. Por su propia seguridad, apague la unidad y desconecte la unidad y la bomba. Quite el sujetador de plástico de la montura y jale la bomba, deslizándola hacia usted. Quite la base de la bomba (véase fig 5). Limpie la bomba. Dé le vuelta a la hélice para verificar que se mueve libremente. Quite el pico de la bomba y vea si está obstruido. Después de limpiar, reinstale la base en la bomba. Presione firmemente para asegurarse de que es segura. Vuelva a colocar la bomba en la unidad y fíjela en su montura con el sujetador de plástico. Esto impedirá que se caiga la bomba al agua, lo que dañaría el motor. No se olvide de volver a conectar el tubo de agua a la bomba.

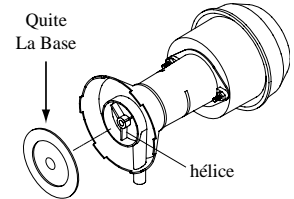


Fig. 5

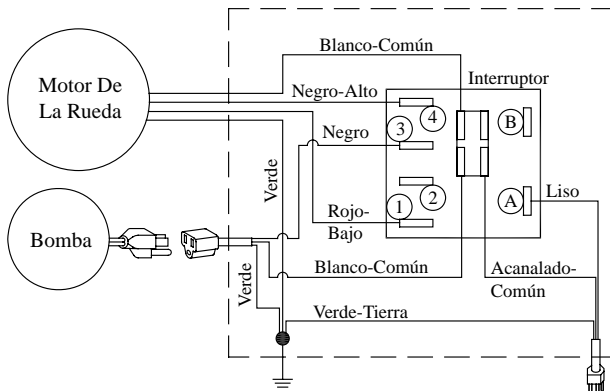
•Mantenimiento General

- **Desagüe el agua.** Recomendamos desaguar el agua del enfriador por lo menos una vez por semana. Quedando agua dulce en el bandeja ayudará a prevenir la acumulación de la escala y depósitos minerales en los filtros. Desagüe siempre toda el agua de la unidad cuando no use el enfriador durante períodos prolongados, especialmente al fin de la temporada.
- **Desconecte la unidad de la electricidad cuando no sea utilizada durante períodos extendidos.**
- **Cubra la unidad o almacénela adentro cuando no esta funcionando.**

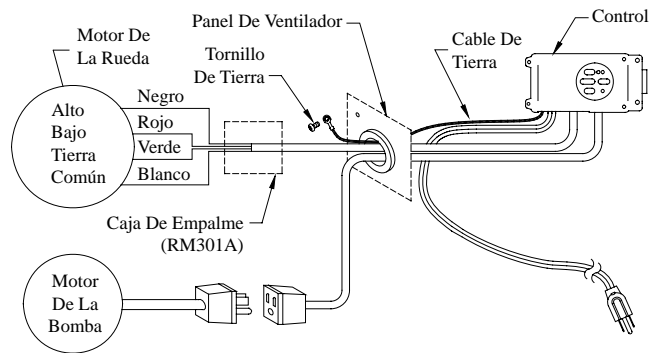
Si usted sigue estas sugerencias en cuanto a instalación, operación y mantenimiento, podrá disfrutar de muchos años de servicio eficiente y satisfactorio de este enfriador. Si desea más información, su concesionario tendrá mucho gusto en ayudarle con respecto a cualquier duda o pregunta.

Esquemas Del Cableado

Control Manual



Control A Distancia



La Localización De Averías

Problema	Causa Posible	Remedio	Problema	Causa Posible	Remedio
No arranca o no sale aire	<ol style="list-style-type: none"> No llega corriente <ul style="list-style-type: none"> Fusible fundido Cortacircuito desactivado Cable eléctrico dañado Correa muy floja o apretada Motor recalentado <ul style="list-style-type: none"> Correa muy apretada Cojinetes de la rueda están secos Motor parado 	<ol style="list-style-type: none"> Revise la corriente <ul style="list-style-type: none"> Cambie el fusible Restablecer el cortacircuito Reemplace el cable Ajuste la tensión de la correa Determine la causa <ul style="list-style-type: none"> Ajuste la tensión de la correa Lubrique los cojinetes Cambie el motor 	Motor se apaga y se enciende	<ol style="list-style-type: none"> Voltaje deficiente Demasiada tensión en la correa Eje del ventilador atorado Cojinetes secos 	<ol style="list-style-type: none"> Compruebe el voltaje Ajuste la tensión de la correa Lubrique o cambie los cojinetes (Desconecte la unidad) Lubrique los cojinetes
Sale poco aire cuando la unidad está funcionando	<ol style="list-style-type: none"> Insuficiente abertura para que salga el aire Poca tensión en la correa Filtros obstruidos 	<ol style="list-style-type: none"> Abra las ventanas o las puertas para aumentar el flujo de aire Ajuste la tensión o cambie la correa Cambie los filtros 	Hace Ruido	<ol style="list-style-type: none"> Cojinetes secos Rueda roza contra caja de la rueda Partes sueltas 	<ol style="list-style-type: none"> Lubrique los cojinetes Inspeccione y alinee (Desconecte la unidad) Apriételas
Enfriamiento inadecuado	<ol style="list-style-type: none"> El agotamiento del aire es inadecuado Los filtros no están mojados <ul style="list-style-type: none"> Filtros obstruidos Filtros agujereados Agujeros de los canales obstruidos Bomba no funciona 	<ol style="list-style-type: none"> Abra más las ventanas o puertas Revise la distribución de agua <ul style="list-style-type: none"> Cambie los filtros Acomode la paja en el filtro Límpielos Cámbiela o límpiela (Desconecte la unidad) 	Demasiada humedad en la casa	<ol style="list-style-type: none"> Insuficiente salida de aire 	<ol style="list-style-type: none"> Abra las puertas o las ventanas
			Olор a encerrado, olor desagradable	<ol style="list-style-type: none"> Agua estancado en la unidad Los filtros tienen moho o son obstruidos. Los filtros son secos <ul style="list-style-type: none"> Agujeros del canal tapados Bomba no trabaja adecuada 	<ol style="list-style-type: none"> Desagüe y limpie los filtros Cambie los filtros Revise la distribución de agua <ul style="list-style-type: none"> Límpielos Reemplace o limpie la bomba (Desconecte la unidad)
			El agua está drenando del enfriador.	<ol style="list-style-type: none"> El flotador no se ajusta correctamente El montaje de desagüe se está escapando 	<ol style="list-style-type: none"> Ajuste el flotador Apriete la tuerca y la tapa de desagüe

Registre su producto en línea a: www.championcooler.com/eac/onlineregistration-eac.htm

Garantía Limitada

La presente garantía se extiende al comprador original de un enfriador evaporativo instalado y utilizado bajo condiciones normales. No cubre daños ocurridos por accidente, descuido o abuso por parte del propietario. No autorizamos que ninguna otra persona o representante asuma por nosotros cualquier otra o diferente responsabilidad en relación con este producto.

Términos y Condiciones De La Garantía

Durante Dos Años a partir de la fecha de compra, reemplazaremos cualquier componente original proporcionado por Champion Cooler que falle debido a cualquier defecto de material o mano de obra en la fábrica solamente.

Exclusiones De La Garantía

No somos responsables por reemplazar los filtros del enfriador. Estos son componentes desechables y deben cambiarse periódicamente. No somos responsables por daños que resulten a consecuencia de alguna falla de funcionamiento.

No somos responsables por cualquier daño producido por el uso de suavizadores de agua, productos químicos, materiales desincrustantes, envolturas de plástico, o si se usa en esta unidad un motor de mayor potencia de la que se indica en la placa de número de serie.

No somos responsables por el costo del servicio para diagnosticar la causa del problema ni por la mano de obra necesaria para reparar y/o reemplazar piezas.

Como Obtener Servicio Bajo Esta Garantía

Póngase en contacto con el Concesionario que le vendió el enfriador. Si por alguna razón usted no queda satisfecho con la respuesta por parte del Concesionario, comuníquese con el departamento de servicio al cliente: Champion Cooler, 5800 Murray Street, Little Rock, Arkansas 72209. 1-800-643-8341. info@championcooler.com.

Esta garantía limitada se aplica al comprador original solamente.