



OPERATING MANUAL



Casa Med Classic FS

with DEWERT[®] drive systems



All **Days Healthcare** nursing beds are manufactured using the most modern technical facilities to ensure the highest lying and operating comfort possible. Furthermore, the construction has been designed placing great value on simple handling and operation.

The nursing beds described in this manual are constructed to the following standards:

DIN EN 1970 - 2000 (standard for nursing beds)

and

DIN EN 60601-2-38 (standard for hospital beds) in addition.

Since the nursing bed motor system has a control system with a clock frequency of > 9 kHz, and is mainly driven by motor for short periods, EN 55014-1 applies in this case in accordance with EN 60601-1-2 36.201.1.4.

A large variety of useful accessories rounds off our range of nursing beds.

This operating manual will help you get to know the function of our nursing beds and, in addition, describes

- assembling the nursing bed
- operating the adjustment controls
- care and maintenance of the nursing bed

The manual has been drawn up using information available at the time of printing with regard to construction and operation of the nursing bed. We reserve the right to make changes due to technical improvements.

If you have any other questions about this nursing bed, please contact your supplier.

1.0	Safety instructions	7
1.1	Symbols used	7
1.2	Proper use	7
1.3	General information	7
1.4	Notes on electrical fittings	8
1.5	Notes for nursing personnel, attendants and operator	9
1.6	Notes on setting up the nursing beds	10
1.7	Notes on maintenance and inspection	11
2.0	Nursing bed model	12
3.0	Extent of delivery	12
4.0	Components	15
5.0	Fittings: bed frame	15
5.1	Bed rails	15
5.2	Mattress support	16
5.3	Angle adjustment foot section (Rastomat)	16
5.4	Bed ends	16
6.0	Fittings: Electrics	17
6.1	Lift motor	17
6.2	Hand set	17
6.2.1	Hand set locking function	17
6.3	Mattress support motor	18
6.4	Control unit	18
7.0	Setting up the nursing bed	19
7.1	Location selection and space requirements	19
7.2	Preparation - only when supplied with transport and storage system	20
7.3	Connecting the mattress support head and foot section	20
7.4	Fixing the bed ends	21
7.5	Connecting the lift motor, hand set, mattress support motor and Accumulator box	22
7.6	Inserting the mattress support motor with control unit	24
7.7	Assembly of accumulator box to the nursing bed (only nursing beds with Trendelenburg's position)	25
7.8	Inserting the mattress support motor for foot section adjustment	26
7.9	Routing and fixing the control unit mains cable	27
7.10	Routing the electrical element cables	28
7.11	Routing the hand set cable	29
7.12	Carrying out a performance test	29
7.13	Installing the bed rails	30
7.14	Installing the patient pole	31

8.0	Safety devices	32
8.1	Control unit	32
8.2	Accumulator box (only nursing beds with Trendelenburg's position)	33
8.2.1	General information	33
8.2.2	Charging the accumulator box	33
8.2.3	Storage of the accumulator box	33
8.3	Headrest adjustment emergency unlocking	34
9.0	Operating the nursing bed	35
9.1	General notes on operation	36
9.2	Plugging in the mains cable	36
9.3	Raising or lowering the bed rails	37
9.4	Locking the function keys for the nursing bed adjustments	38
9.4.1	Magnetically locking/unlocking the hand set function keys (hand set without Trendelenburg)	40
9.4.2	Magnetically locking/unlocking the hand set function keys (hand set with Trendelenburg)	41
9.4.3	Mechanically locking/unlocking the hand set function keys (hand set without Trendelenburg)	42
9.4.4	Mechanically locking/unlocking the hand set function keys (hand set with Trendelenburg)	43
9.4.5	Mechanically locking/unlocking the hand set function keys (programmable hand set without and with Trendelenburg) ..	44
9.4.6	Programming the function keys	45
9.5	Operating the nursing bed adjustments	46
9.5.1	Hand set	46
9.5.2	Hand set with Trendelenburg's position	47
9.6	Adjusting the foot section (Rastomat)	48
9.7	Operating the brakes	49
9.8	Pushing the nursing bed and patient transport	49
9.9	Adjusting the slatted frame springiness	50
10.0	Patient-related safety measures and adjustments made by nursing personnel	51
10.1	Limits of use	51
10.2	Gap dimensions and bed rail spacing	51
10.3	Locking the nursing bed adjustments at the hand set	52
11.0	Cleaning	52
12.0	Testing plan for nursing beds	53
12.1	Daily checks	52
12.2	6-monthly inspection - check control unit	55

12.3	Testing intervals	54
12.4	Inspection of mechanical components	55
12.5	Inspection of electrical components	57
12.6	Measurements	58
13.0	Troubleshooting	59
14.0	Storage of the nursing bed with the transport and storage system (TLSU)	60
14.1	Dismantling the nursing bed	60
14.2	Placing the components in the transport and storage system	64
15.0	Disposal	65
16.0	Appendix	66
16.1	Specifications: nursing bed	66
16.2	Specifications: Drive system	67
16.3	Nursing bed labelling	67
16.3.1	Nameplate	67
16.3.2	Patient pole component sign	68
16.4	Accessories	68
16.5	Spare parts	68
17.0	Warranty	69

1.0 Safety instructions

1.1 Symbols used

This instruction manual contains the following symbols which are used to highlight special hazards in dealing with the nursing bed or information for simplifying handling of the nursing bed.



Caution!

This symbol identifies safety information which notifies you of hazards when dealing with the product



NOTE

You will also find information about dealing with the product under this symbol.

1.2 Proper use

Days Healthcare nursing beds are intended for continuous use instead of household beds. They are intended for use in alleviation or compensation of a handicap or inability and for making the working conditions of nursing personnel easier.

Days Healthcare nursing beds are only approved for use by persons of over 12 years of age due to their complexity.

The nursing beds are intended for use in:

- home nursing
- nursing home and rehabilitation institutions

1.3 General information

Before assembling or using the nursing bed, please read this operating manual carefully through!

Ensure that:

- the complete operating manual is read by all persons entrusted with the setting up, operation or maintenance of the nursing bed.
- all persons entrusted with the setting up, operation or maintenance of the nursing bed have access to this operating manual at all times.

Any damages resulting from nonobservance of this operating manual are excluded from the guarantee.



Limitations of use!

- *Patients taller than 195 cm (6'-5") should not use this nursing bed.*
N.b. An extended bed frame to suit patients up to 219 cm (7'-1") is available from **Days Healthcare**.



Accident hazard!

- *Always check that the cabling is in perfect working order and that the tension protection is functioning before use.*
- *Only use the nursing bed for its proper intended use.*
- *Maximum safe working load = see technical specification*
- *Only use this nursing bed when it is in perfect working order.*
- *Always lower the nursing bed to its lowest height when not under supervision.*
- *It is imperative that you always rectify any faults which could influence the function and safety of the nursing bed immediately.*
- *Always secure the nursing bed against rolling by engaging the wheel brakes when unattended!*
- *Always use all of the wheel brakes on the nursing bed.*
- *Only use accessories approved by **Days Healthcare**.*

1.4 Notes on electrical fittings



Risk of short-circuit and fire!

- *Always ensure that the mains cable cannot be run over when moving the nursing bed or bedside tables, or by cleaning and lifting equipment such as hoists.*
- *Always check the cabling for correct positioning before use, jamming or kinking of the cable must be avoided.*
- *Always remove the mains plug before long periods of non-use.*

1.5 Notes for nursing personnel, attendants and operator



Accident hazard!

- *Do not use electrical medical appliances on patients in these nursing beds.*
- *Do not use the nursing bed in the vicinity of strong electro-magnetic fields (for example major medical equipment).*
- *Always plug the nursing bed mains plug into a separate wall socket.*
- *Route the mains cable to the power supply socket so that no mechanical tension results, and so that it cannot be crushed, bent or run over.*
- *Please observe the appropriate equipment operating and installation instructions with regard to any additional safety risks that may arise when combining the nursing care bed with other equipment.*
*Should you have any questions in this respect, please contact your orthopaedic and sanitary supplier or **Days Healthcare** directly.*



Danger to life and injury hazard through crushing!

- *When carrying out adjustments, observe the patient in the bed and the bed's surroundings.*
- *If the patient is underweight, ensure that the patient cannot slip down between the mattress and bed rails.*
- *If the patient is underweight, always use the bed rail protectors supplied by **Days Healthcare**.*
- *Always ensure that the bed rails are locked in properly.*



Possible danger through altering patient's position!

- *Always lock all hand set adjustment functions on the hand set which could cause danger to the patient's health if adjusted (consult doctor).*
- *Always take into account the patient's condition before locking the adjustment options*



Accident hazard due to falling out!

- *Always move the nursing bed to the lowest height when unsupervised or for entering or exiting the bed.*

**Risk of short-circuit and fire!**

- *Before moving the nursing bed, unplug the mains cable and ensure that the mains cable cannot be run over.*
- *The nursing bed may not be used in surroundings in which it is possible that flammable gases or vapours (e.g. from anaesthetics) are present.*

**Danger due to actuator motor overheating!**

- *Before adjusting the bed height, ensure that nothing is blocking the full adjustment movement.*
- *Avoid using the actuator motors for more than two minutes. Maximum continuous operation of actuator motors = 2 minutes. Minimum pause after 2 minutes operation = 18 minutes.*
- *Never use more than two actuator motors simultaneously.*

1.6 Notes on setting up the nursing beds**Injury hazard due to improper assembly!**

- *Ensure that all components in the nursing bed have been correctly assembled.*
- *Check that all adjustment options are in perfect working order after assembly.*

**Accident hazard!**

- *Only carry out assembly work using suitable tools.*
- *Only carry out assembly work if you are a competent person who is used to working with the tools required.*

**Trapping hazard!**

There is a possible danger of trapping at all joints on the nursing bed and at support points for the mattress support. All hazard points on the nursing bed are identified by this symbol.

- *If the mattress support has been folded up, secure it against unintentional unfolding by suitable methods.*

**Always carry out a performance test after any assembly work!**

1.7 Notes on maintenance and inspection

All inspection work must only be carried out by competent engineers, capable of evaluating the condition status and recognising any possible effects and hazards, due to their specialist training, knowledge and experience in addition to knowledge of all relevant regulations.

Always read the relevant chapters thoroughly before carrying out maintenance work.

Any damages resulting from nonobservance of this manual are excluded from any guarantee of liability.



Always carry out a performance test after maintenance work and inspections!

- *When operating the adjustment motors, ensure that the nursing bed cabling cannot be crushed or overstretched.*



Hazards due to electrical and mechanical faults!

- *Always remove faulty nursing beds from operation and secure them against unauthorised use (remove mains plug).*
- *Only use original spare parts supplied by **Days Healthcare**.*
- *Always carry out the prescribed maintenance work at the intervals stated.*
- *Do not carry out any alterations to the electrical or mechanical fittings supplied with the bed unless authorised to do so by the manufacturer. Any manufacturer's guarantee liability is voided by unauthorised alterations.*
- *Only carry out maintenance and repair work with suitable tools.*
- *Do not open electrical components.*

2.0 Nursing bed model

Casa Med Classic FS



3.0 Extent of delivery

All components are packed in cartons in accordance with your order, and packed as a group on a transport pallet or bound up using transport and storage systems to form one transport unit.

Before commencing assembly of the nursing bed, check the package contents against the list supplied.

Small parts and fixings are included in the delivery depending on the nursing bed version and are not shown in detail.

If any faults are apparent or components are missing, please contact **Days Healthcare** or your supplier.

Mattress support

Contents: 1 x (1) Mattress support, head section
1 x (2) Mattress support, foot section

Version: 4-part separation of mattress support



Transport and storage system (TLSU)



Mattress support



4-part separation



Bed end

2 x model Casa Med Classic FS

Bed end



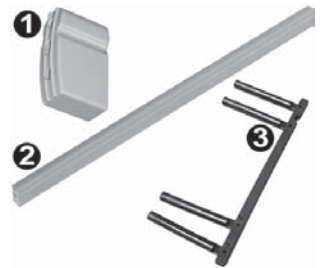
bed rails*

8 x (1) plastic cap for bed rails

4 x (2) bed rail panels

4 x (3) slider for bed rails

Bed rails



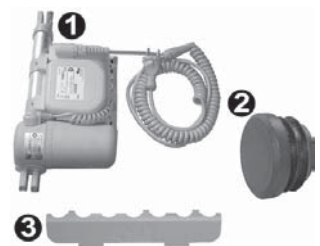
Electrical elements

1 x (1) Mattress support motor with control unit and mains cable

2 x (2) Dummy plugs for non-used jack sockets

1 x (3) Tension protection for control unit socket strip

Electrical elements



1 x (4) mattress support motor



Depending on nursing bed version:

- 1 x (5) Hand set, **without** pushbutton for Trendelenburg's position
- 1 x (6) Hand set, **with** pushbutton for Trendelenburg's position

For electrically lockable hand set:

- 1 x (7) Magnetic key

For mechanically lockable hand set:
(can be recognised from rotary knob (a)
on rear of hand set)

- 1 x (8) Rotary key

Hand set



Accumulator box

only for nursing beds with Trendelenburg's position:

- 1 x rechargeable battery (Accumulator box) with metal support and fixing screw



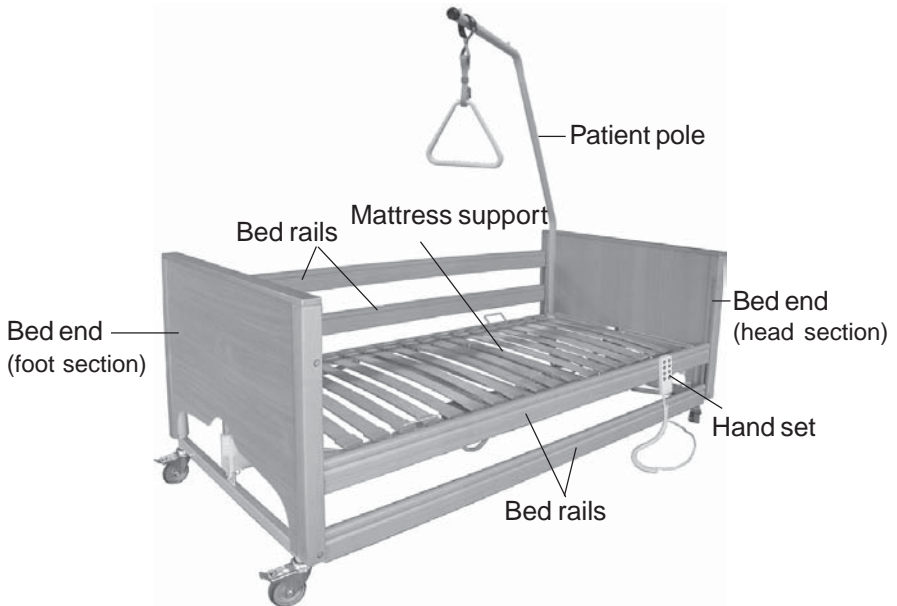
Patient pole

- 1 x patient pole with strap and handhold

Patient pole



4.0 Components



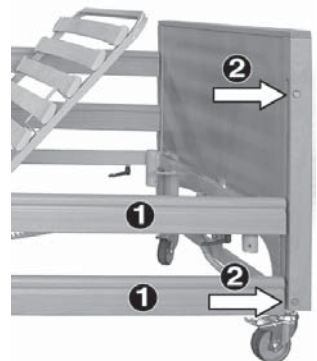
5.0 Fittings: bed frame

5.1 Bed rails

The bed rails (1) are fixed to the head end and foot end on the bed using plastic sliders.

Both the upper lock for lowering and the lower lock for removing the bed rails can be unlocked using the fastening knob (2).

bed rails



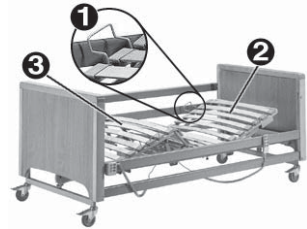
5.2 Mattress support

The mattress support is separated into 4 parts. The wooden slats can be wiped clean, and are fixed to the frame with plastic fixings.

The mattress is fixed securely to the mattress support using four mattress fixings (3).

4-part separation of mattress support:

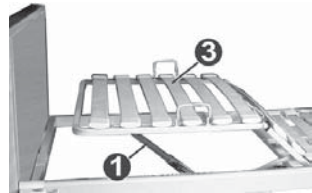
The head section (2) can be electrically adjusted up to 70°, the foot section (3) up to 20°.



5.3 Angle adjustment foot section (Rastomat)

The automatic catch (1) mounted at the foot end of the mattress support enables incremental adjustment of the lower leg adjustment (3) of the 4-part mattress support.

Rastomat



5.4 Bed ends

The bed ends are fitted with a lift motor (1) and two castors (2).

The castors are provided with brakes. The brakes lock both rolling and swiveling movements.

Bed end



6.0 Fittings: Electrics

6.1 Lift motor

The lift motor (1) is mounted directly on the nursing bed head section or foot section. The motor lift movement is 40 cm. This enables the nursing bed lying area to be raised from 40 cm to 80 cm.

Lift motor



6.2 Hand set

The hand set is used to operate all nursing bed actuator motors. Operation takes place using the keypad on the front side of the hand set.

The fixing bracket on the rear of the hand set can be used to hold it in an easily reachable position on the nursing bed.

Hand set



6.2.1 Hand set locking function

Depending on the version, the hand set is fitted with an electrical or mechanical pushbutton locking device.

The locking device secures the nursing bed against unauthorised use.

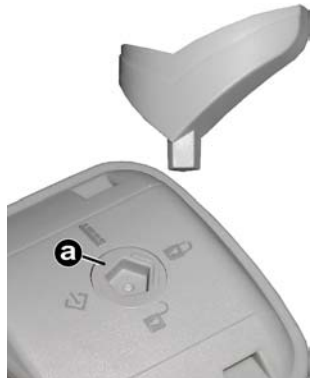
The electrical locking device is switched on and off using the magnetic key supplied.

The mechanical locking device is switched using the rotary switch on the rear of the hand set (a).

Magnetic key



Rotary switch



6.3 Mattress support motor

The nursing bed with 4-part mattress support is fitted with two mattress support motors. They are fitted under the mattress support. One of the motors is used for adjusting the head section, and one for adjusting the foot section of the mattress support.

Mattress support motor



6.4 Control unit

The control unit (1) mounted under the mattress support is fitted with a first-error-proof electronics unit. This prevents undesirable functional sequences due to first component defects.

This is implemented as a splashproofed housing.

The mains cable in its strengthened version is fitted with a push-on anti-kink device and tension protection.

Mattress support motor with control unit



7.0 Setting up the nursing bed

Before commencing assembly of the nursing bed, check the package contents against chapter 3.0 „Extent of delivery“.

If any faults are apparent or components are missing, please contact **Days Healthcare** or your supplier.



Trapping hazard!

There is a possible danger of trapping at all joints on the nursing bed and at support points for the mattress support.

- *If the mattress support has been folded up, secure it against unintentional unfolding by suitable methods.*



Injury hazard due to improper assembly!

- *Ensure that all components in the nursing bed have been correctly assembled.*
- *Check that all adjustment options are in perfect working order after assembly.*



Accident hazard!

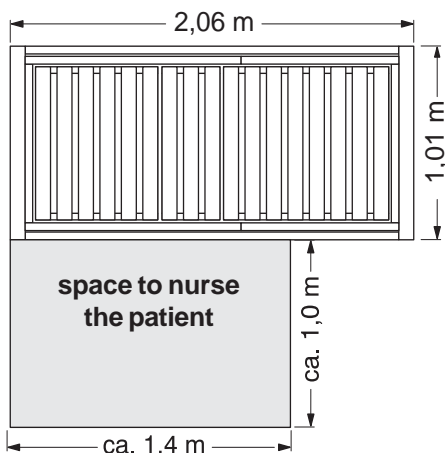
- *Only carry out assembly work using suitable tools.*
- *Only carry out assembly work if you are used to working with the tools required.*

7.1 Location selection and space requirements

When selecting the bed's location, ensure that:

- there is enough space to nurse the patient in the bed on at least one of the bed's sides.
- there must be a mains socket near the location in an easily reachable position.

The illustration shows you the required dimensions for setting up the nursing bed and the space around it.



7.2 Preparation - only when supplied with transport and storage system

- ➔ Pull the patient pole out of the mounting tube (1) in the transport and storage system.
- ➔ Remove all cartons from the transport and storage system.



NOTE

You should retain all cartons if possible for storage of the nursing bed at a later date.

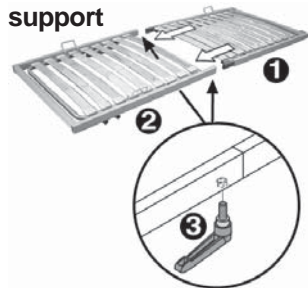
- ➔ Loosen all safety screws (a) and remove both bed sections (2) from the transport and storage system.



7.3 Connecting the mattress support head and foot section

- ➔ Push the foot section (1) with the guides into the head section frame (2) as far as the stop.
- ➔ Secure the mattress support tube connections by screwing in and tightening the hand levers (3).

Connecting the mattress support



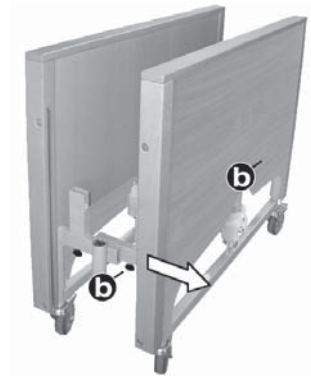
7.4 Fixing the bed ends

- Loosen the safety screws (b) and remove the bed end with the transport and storage system nameplate.



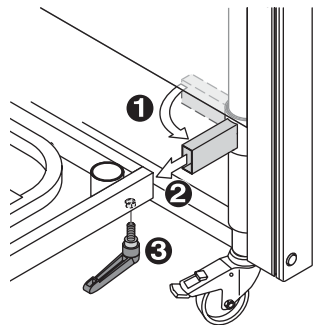
NOTE:

Lock the brakes on the castors (see chapter 9.7) on the remaining fronts and place these against a wall before you separate the bed ends.

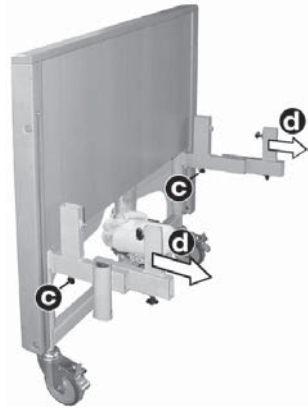


- Fold both guides (1) at the front towards the lying area.
- Push the bed end with the guides (1) into the the bedframe tube (2) as far as the stop.
- Screw both hand levers (3) for the bed end screwed connection into the flat.
- Secure the connection by tightening the hand levers.

Push bed end on



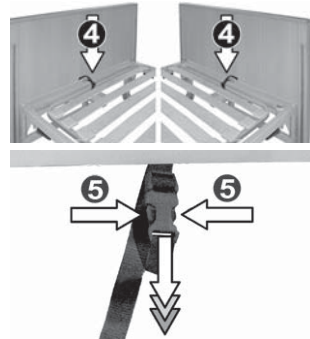
- Loosen the safety screws (c) and remove the transport and storage system (d) from the bed end.
- The second bed end is fixed in a similar manner to that above to the foot of the bed.



- Undo the securing strap (4) on the head section and remove all transport securing devices on the head and foot sections.

To open the retaining belt, press the side tabs (5) on the locking device and pull back the lock.

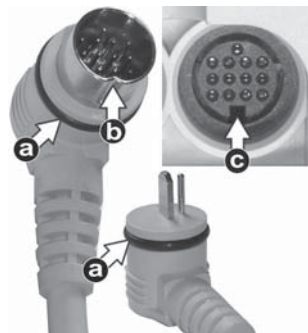
Opening the retaining belt



7.5 Connecting the lift motor, hand set, mattress support motor and Accumulator box

When connecting, ensure that:

- the sealing rings (a) on the plug must not be damaged while being plugged in.
- The ribs (b) on the plug must be aligned with the guide grooves (c) on the jack socket.



- Plug the electrical component plugs into the jack sockets as shown in the following diagram.

The labels on the plug arrangement shown in the photo correspond to those on the control unit.

Plug arrangement:

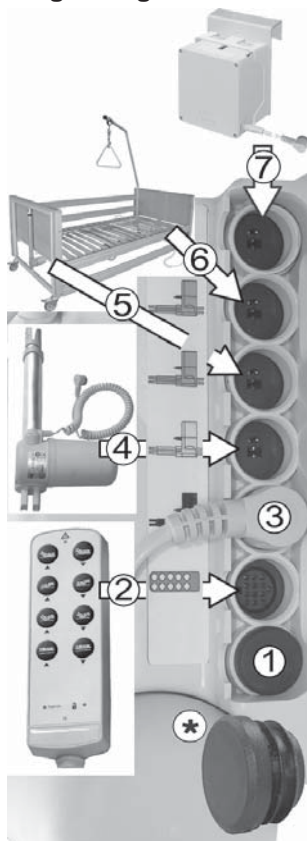
- 1 = Not in use
- 2 = Hand set
- 3 = Mattress support motor (pre-fitted on the control unit)
- 4 = mattress support motor for foot section adjustment
- 5 = Cable for lift motor; foot section
- 6 = Cable for lift motor; head section
- 7 = Accumulator box (only nursing beds with Trendelenburg's position)



*NOTE

Jack sockets not in use must be closed using dummy plugs.

Plug arrangement

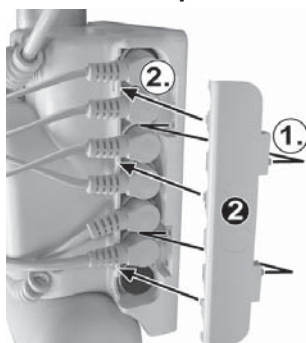


- Insert the tension protection (2).

To do this:

1. Push the pegs into the drill holes.
2. Engage the clips into the recesses.

Insert tension protection

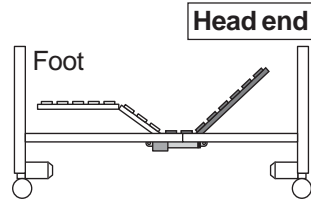


7.6 Inserting the mattress support motor with control unit

- ➔ Open the quick-release bolt retainer (1).



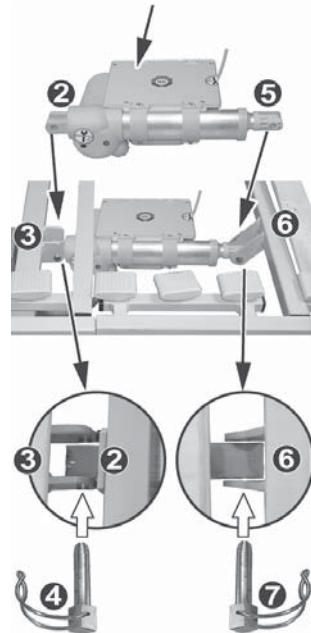
Insertion direction = the mattress support motor with control unit is fixed under the mattress support with the motor housing (2) pointing towards the foot end.



Caution!

- Ensure that the mattress support motor with control unit is aligned correctly (label on nursing bed).

- ➔ Pass the receptacle of the motor side (2) between the mattress support frame tabs (3).
- ➔ Insert the quick-release bolt (4) and secure by closing the retainer.
- ➔ Pass the second receptacle (5) between the head end adjustment frame tabs (6).
- ➔ Insert the quick-release bolt (7) and secure by closing the retainer.

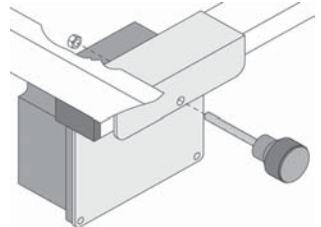
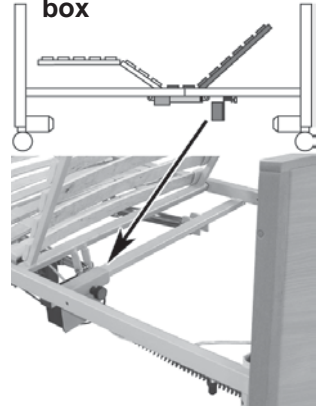


7.7 Assembly of accumulator box to the nursing bed (only nursing beds with Trendelenburg's position)

The accumulator box is to be fixed close to the control unit on a cross bar positioned to the head part of the mattress support (see photo/drawing).

- Remove the fixing screw from the metal support of the accumulator box.
- Slide the metal support of the accumulator box over the cross bar of the mattress support.
- Insert the fixing screw, rotate the fixing nut along thread and tighten to secure.

fixing the accumulator box



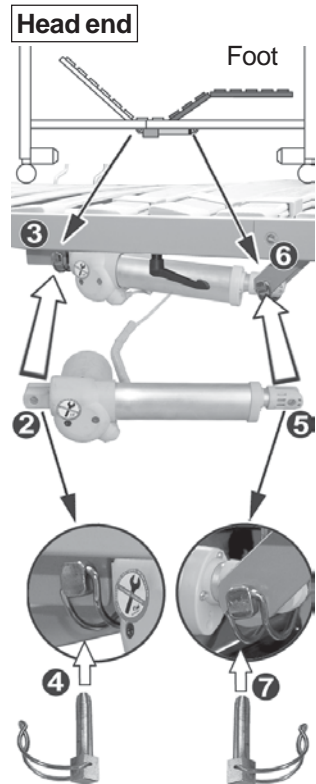
7.8 Inserting the mattress support motor for foot section adjustment

- ➔ Open the quick-release bolt retainer (1).



Insertion direction = The mattress support motor with the motor housing (2) is fixed under the mattress support pointing towards the head end (observe label on nursing bed).

- ➔ Pass the receptacle of the motor side (2) between the mattress support frame tabs (3).
- ➔ Insert the quick-release bolt (4) and secure by closing the retainer.
- ➔ Pass the second receptacle (5) between the foot end adjustment frame tabs (6).
- ➔ Insert the quick-release bolt (7) and secure by closing the retainer.



7.9 Routing and fixing the control unit mains cable

When routing cables, ensure that:

- the cables are not subjected to tension
- the cables do not hang too deeply
- cables are not routed close to locations where crushing or shearing can take place



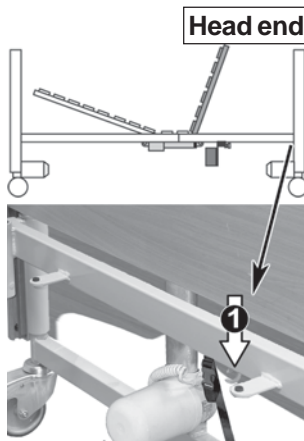
NOTE

There is one fixing (1) for screwing in the mains cable anti-kink and tension protectors on the head and foot of the bedframe.

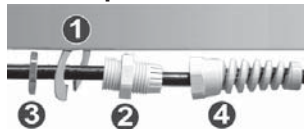
Routing the mains cable along the head of the bed is recommended.

- ➔ Route the mains cable to one of the fixings (1) on the head section for fixing the anti-kink and tension protectors.
- ➔ Fix the mains cable and bolted connection (2) through the fixing (1) on the bedframe and bolt tight with the nut (3) (size 19 mm).
- ➔ Screw the anti-kink and tension protector cover (4) onto the bolted connection (2) and screw tight (size 19 mm).

Fixing for anti-kink and tension protectors



Detail: anti-kink and tension protectors



7.10 Routing the electrical element cables

When routing cables, ensure that:

- the cables are not subjected to tension
- the cables do not hang too deeply
- cables are not routed close to locations where crushing or shearing can take place.

Electrical elements:

- a = mattress support motor with control unit
- b = mattress support motor for 4-section mattress support
- c = lift motor; foot section
- d = lift motor; head section
- e = hand set
- f = Accumulator box (only nursing beds with Trendelenburg's position)

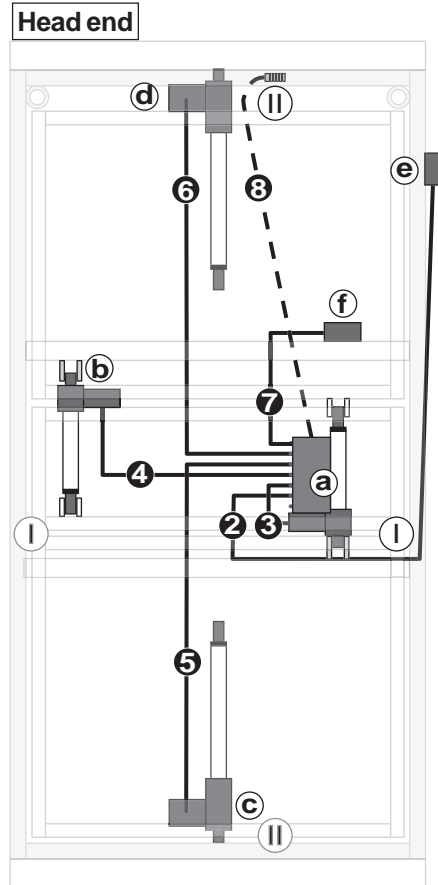
Cable routing:

- 2 = to hand set
- 3 = to mattress support motor; head section
- 4 = to mattress support motor; foot section
- 5 = to lift motor; foot end
- 6 = to lift motor; head end
- 7 = to accumulator box (only nursing beds with Trendelenburg's position)
- 8 = mains cable

Cable fixings:

- I = tension relief for hand set cable
- II = tension relief for mains cable

Wiring diagram (viewed from above)



NOTE

Tension relief devices (I + II) are provided for on both sides of the nursing bed.

7.11 Routing the hand set cable



NOTE

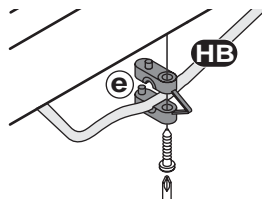
Tension relief devices (e) are provided for on both sides of the nursing bed. You should select the side to suit the installation site.

- Loosen the tension relief (e) for the hand set cable (HB), insert the cable and screw the tension relief tight.

Tension protector position (head end)



Cable hand set

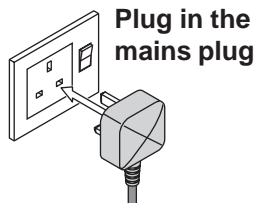


7.12 Carrying out a performance test



NOTES

- Please note the information in chapters 9.2 and 9.4 “Operation” when plugging in the mains plug and checking the adjustment functions.
 - Ensure that the transport safety devices at the head and foot-pieces of the mattress support have been removed (Chapter 7.4).
 - When operating the adjustment motors, ensure that the nursing bed cabling cannot be crushed or overstretched.
- Plug in the mains plug.
 - Check all nursing bed adjustments for correct working order.
 - Run the nursing bed up to its highest position.
 - Remove the mains plug from the socket.

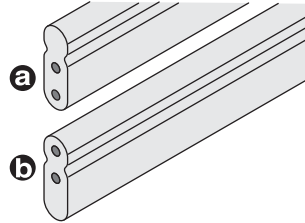


7.13 Installing the bed rails

The bed rail cappings have different drill holes in them.

- (a) top capping for bed rail = drill holes offset downwards
- (b) bottom capping for bed rail = drill holes offset upwards

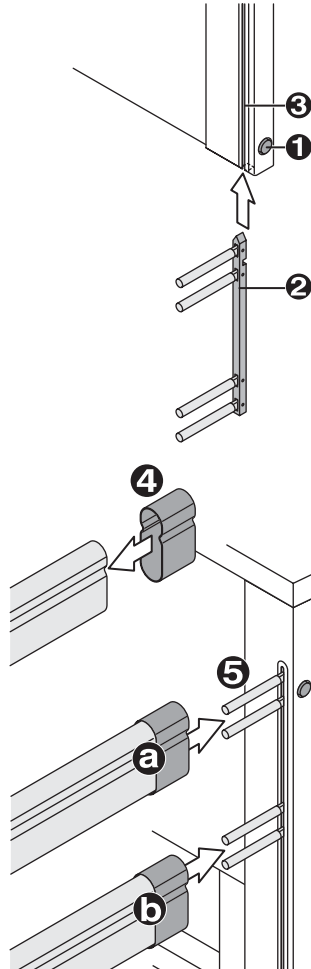
Bed rail capping drill holes



Fixing the bed rail at the head end:

- ➔ Press bottom fastening knob (1),
- ➔ push the slider (2) with the point facing upwards into the guide groove (3) on the head front face and
- ➔ engage in top locking device.

Installing the bed rails



- ➔ Press the plastic caps (4) onto the bed rail (observe drill hole position).



NOTE

Before pushing on, check to see that the spring is located in the cap.

- ➔ Push the bed rails (a+b) onto the pegs (5) on the slider.

Fixing the bed rail at the foot end:

- Press the plastic caps (1) onto the bed rail (observe drill hole position).

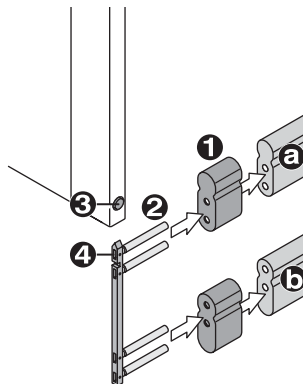


NOTE

Before pushing on, check to see that the spring is located in the cap.

- Die Guide the pegs (2) on the sliders into the drill holes in the cap and bed rails. When doing this, the pointed side of the guide rail must face upwards (see sketch).
- Press bottom fastening knob (3),
- Push the slider (4) into the guide groove on the foot front face and
- engage in top locking device.
- Install the second bed rail in the same manner as the first.

Bed rails on foot end



7.14 Installing the patient pole

- Insert the patient pole (1) in the attachment (2) fixed to the bedframe at the required bed side.

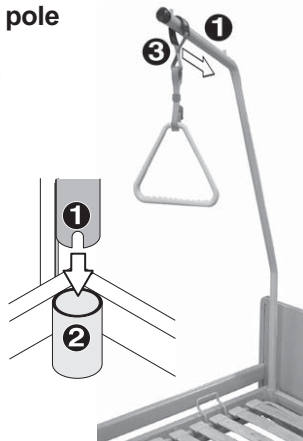


NOTE:

The guide groove at the end of the patient pole tube (1) must be located over the pins in the attachment (2).

- Push the handgrip strap loop (3) onto the patient pole tube.

Installing the patient pole



8.0 Safety devices

8.1 Control unit

The Control unit is fitted with the following safety devices as overload protection:

- Limit switches switch the actuator motors off when they reach their limit position.
- Thermostats switch the Control unit off if it overheats.

The Control unit can be operated again after a pause of between 20 and 30 minutes.

Control unit



CAUTION!

The nursing beds are not fitted with an emergency-off switch!

- *In cases of emergency, remove the mains plug!*

If the battery is fitted, it is possible that the movement will be continued even if the mains plug has been removed, in this case:

- *Unplug the accumulator box cable.*

8.2 Accumulator box (only nursing beds with Trendelenburg's position)

8.2.1 General information

If you are using a control box with push buttons for Trendelenburg positions, the nursing bed is fitted with rechargeable batteries (accumulator box).

You must use the accumulator box for beds with the Trendelenburg's position function.

The accumulator box guarantee that the nursing bed can be put into the Trendelenburg positions even in cases of power failure (a requirement of EN 60601-2-38). Any adjustments carried out on the nursing bed can be operated between 5 and 15 times with the accumulator box. The number of operations is dependent on patient weight and the adjustment selected.

Accumulator box



8.2.2 Charging the accumulator box

The accumulator box / battery is automatically charged when the mains plug is plugged in.

- the charging time is at least 12 hours (for example overnight)
- the mains plug can be left connected for longer periods because protective circuitry ensures that the battery cannot be overcharged.



NOTE

If adjustment is carried out several times without a power supply, the accumulator box gives off a warning tone to signal that the charging limit has been reached.

8.2.3 Storage of the accumulator box

Do not store the discharged accumulator box for long periods. Recharge the accumulator box once a month.

8.3 Headrest adjustment emergency unlocking

The nursing bed head section can be raised or lowered by removing the quick-release bolts on the mattress support motors if the adjustment motors should break down.



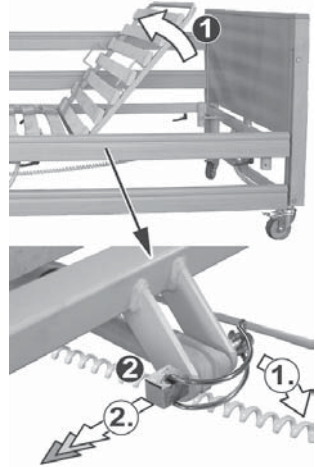
Accident hazard!

- *Operating the emergency unlocking system may only be carried out by two people.*

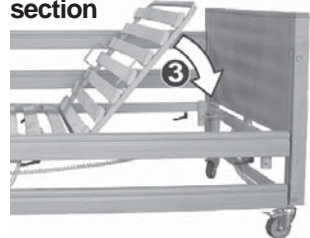
Unlocking the headrest adjustment:

- ➔ Lift the mattress support head section slightly (1).
- ➔ Remove the quick-release bolts (2) as follows (second person must do this!):
 1. Open up the securing bar.
 2. Pull the quick-release bolts out of the receptacle.
- ➔ Slowly lower the mattress support head-section (3).

Raise head section and remove quick-release bolts



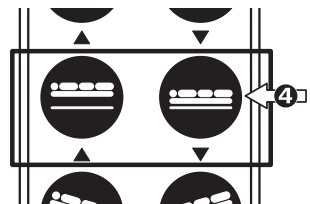
Lowering the head-section



Inserting the quick-release bolts

- ➔ Run the mattress support motors as far as the limit position by pressing the „Lower head section“ (4) button on the hand set.
- ➔ Fit the quick-release bolts as described in Chapter 7.6 „Inserting the lying area motors“.

hand set



9.0 Operating the nursing bed



Accident hazard!

- *Do not use electrical medical appliances on patients in these nursing beds.*
- *Do not use the nursing bed in the vicinity of strong electromagnetic fields (for example major medical equipment).*



Trapping hazard!

There is a possible danger of trapping at all joints on the nursing bed and at support points for the mattress support.

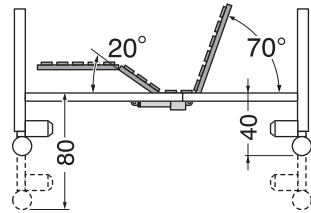
- *If the mattress support has been folded up, secure it against unintentional unfolding by suitable methods.*

When carrying out adjustments, please observe the following points:

- Before adjusting the bed height, ensure that nothing is blocking the full adjustment movement.
- Avoid operating the actuator motors continuously for more than two minutes (intermittent operation).
Maximum continuous operation of actuator motors = 2 minutes.
Minimum pause after 2 minutes operation = 18 minutes.
- Do not operate more than two actuator motors at once.
- Always move the nursing bed to the lowest height when unsupervised or for entering or exiting the bed.
- When carrying out adjustments, observe the patient in the bed and the bed's surroundings.

9.1 General notes on operation

Backrest foot section and bed height adjustment is infinitely variable.
The adjustment range for the reclining surface height is between 40 and 80 cm.
The head section can be inclined upwards up to 70°.
The foot section can be inclined by 20°. In addition, the lower leg support can be lowered mechanically (automatic catch).



9.2 Plugging in the mains cable

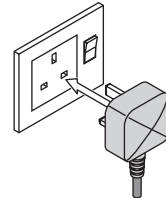


Accident hazard!

- Always plug the nursing bed mains plug into a separate wall socket.

The mains cable may not be run over.

- Route the mains cable to the power supply socket so that no mechanical tension results, and so that it cannot be crushed, bent or run over.
- Only plug the mains plug into sockets (230 V~ / 50Hz) which are easily accessible at any time (main plug fuse size = 5A).
- Always check that the mains cable, the mains socket and plug are in perfect working order before plugging the bed in.



CAUTION!

The nursing beds are not fitted with an emergency-off switch!

- In cases of emergency, remove the mains plug!

If the battery is fitted, it is possible that the movement will be continued even if the mains plug has been removed, in this case:

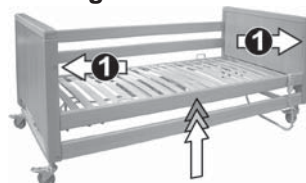
- Unplug the accumulator box cable.

9.3 Raising or lowering the bed rails

Raising the bed rails:

- Pull the bed rails up until the top fastening knob (1) engages.

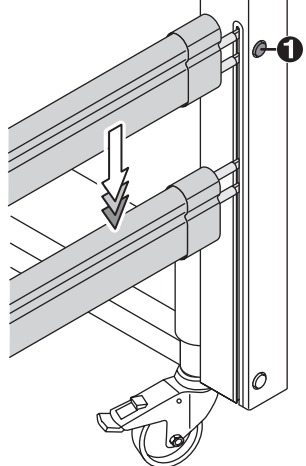
Raising the bed rails



Lowering the bed rails:

- Raise the bed rail slightly.
- Press the fastening knob (1) in and lower the bed rail.

Lowering the bed rails



Caution!

Do not allow bed rails to fall unsecured onto the bottom locking clip!

- *When lowering the bed rail, use your other hand to lower it as far as the locking clip.*







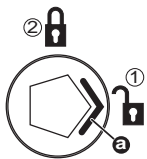
Always place the head and foot end of the siderail in the same position.

- *Do not set the siderail in a diagonal position.*

9.4 Locking the function keys for the nursing bed adjustments

Before locking, make sure you know which hand set is fitted to the nursing bed.

Depending on the hand set version, the following locking functions can be used:

Handset version	Feature 1	Feature 2	Description
<p>IPROXX SE</p>  <p>Hand set without Trendelenburg</p> <p>Magnetically locking</p>	 <p>Magnetic key</p>		<p>see chapter 9.4.1</p>
<p>IPROXX SE+</p>  <p>Hand set with Trendelenburg</p> <p>Magnetically locking</p>	 <p>Magnetic key</p>		<p>see chapter 9.4.2</p>
<p>IPROXX SM</p>  <p>Hand set without Trendelenburg</p> <p>Mechanically locking</p>	 <p>(a) Rotary switch (b) Rotary key</p>	 <p>2 switch positions</p>	<p>see chapter 9.4.3</p>

Handschalter

Ausführung	Merkmal 1	Merkmal 2	Beschreibung
------------	-----------	-----------	--------------

IPROXX SM+



Hand set
with
Trendelenburg

Mechanically
locking



(a) Rotary switch
(b) Rotary key



3 switch
positions

see
chapter 9.4.4

IPROXX SMP



Hand set
without
Trendelenburg

Mechanically
locking
programmable



(a) Rotary switch
(b) Rotary key



4 switch
positions

see
chapter 9.4.5

IPROXX SMP+



Hand set
with
Trendelenburg

Mechanically
locking
programmable



(a) Rotary switch
(b) Rotary key



4 switch
positions

see
chapter 9.4.5

9.4.1 Magnetically locking/unlocking the hand set function keys (hand set without Trendelenburg)

The locking setting is shown by the LEDs

- (1) Power On and
- (2) Lock symbol.



Locking/unlocking the function keys:

- ➔ Run the flat end of the magnetic key over the key symbol (a).

2 switch positions are possible, which can be switched to by repeatedly running over the key symbol:

1. Function keys locked

- All function keys locked

Display - function keys locked:

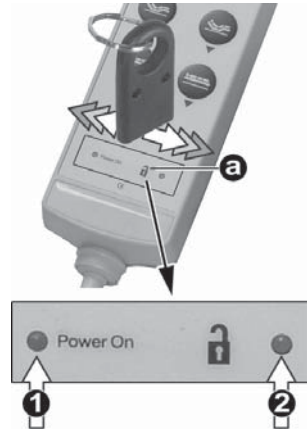
- (1) LED Power On illuminates
- (2) LED key symbol off

2. „Patient mode“

- Function keys enabled
- *Trendelenburg position is blocked*

„Patient mode“ display:

- (1) LED Power On illuminates
- (2) LED key symbol illuminates



9.4.2 Magnetically locking/unlocking the hand set function keys (hand set with Trendelenburg)

The locking setting is shown by the LEDs
(1) Power On and
(2) Lock symbol.

Locking/unlocking the function keys:

- Run the flat end of the magnetic key over the key symbol (a).

3 switch positions are possible, which can be switched to by repeatedly running over the key symbol:

1. Function keys locked

- All function keys locked

Display - function keys locked:

- (1) LED Power On illuminates
- (2) LED key symbol off

2. „Patient mode“

- Function keys enabled
- *Trendelenburg position is blocked*

„Patient mode“ display:

- (1) LED Power On illuminates
- (2) LED key symbol illuminates „orange“

3. „Nurse mode“

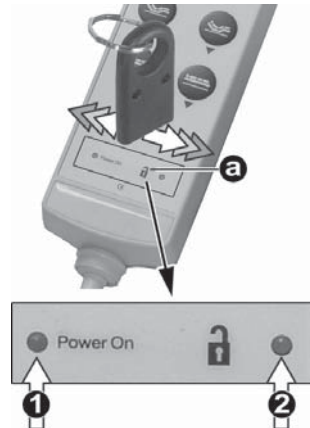
- All function keys enabled
- *Trendelenburg position is enabled*

„Nurse mode“ display:

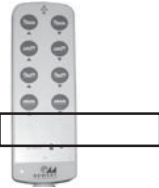
- (1) LED Power On illuminates
- (2) LED key symbol illuminates „green“



Locking/unlocking the function keys



9.4.3 Mechanically locking/unlocking the hand set function keys (hand set without Trendelenburg)



Insert the socket spanner

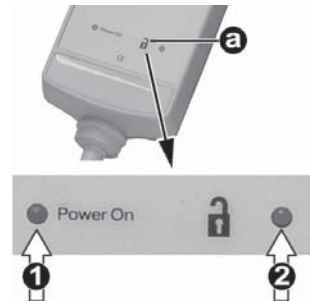


The locking setting is shown by the LED (a) at the lock symbol.

Locking/unlocking the function keys:

- ➔ Insert socket spanner in rotary knob.
- ➔ Turn the rotary knob marking (b) to the required setting.

LED display hand set



Switch position 1 = „Patient mode“

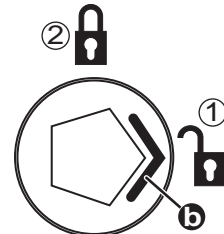
- All function keys enabled

Symbol:

Display - „Patient mode“:

- (1) LED Power On - illuminates
- (2) LED key symbol - illuminates

Switch positions



Switch position 2 = Function keys locked

- All function keys disable.

Symbol:

Display - function keys locked:

- (1) LED Power On - illuminates
- (2) LED key symbol - off

9.4.4 Mechanically locking/unlocking the hand set function keys (hand set with Trendelenburg)

The locking setting is shown by the LED (a) at the lock symbol.

Locking/unlocking the function keys:

- Insert socket spanner in rotary knob.
- Turn the rotary knob marking (b) to the required setting.

Switch position 1 = „Patient mode“

- Function keys enabled
- Trendelenburg's adjustment blocked

Symbol: 

Display - „Patient mode“:

- (1) LED Power On - illuminates
- (2) LED key symbol - illuminates „orange“

Switch position 2 = Function keys locked

- All function keys disable.

Symbol: 

Display - function keys locked:

- (1) LED Power On - illuminates
- (2) LED key symbol - off

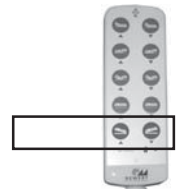
Switch position 3 = „Nurse mode“

- All function keys enabled
- Trendelenburg's adjustment enabled

Symbol: 

Display - „Nurse mode“:

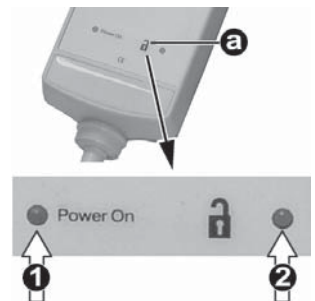
- (1) LED Power On - illuminates
- (2) LED key symbol - illuminates „green“



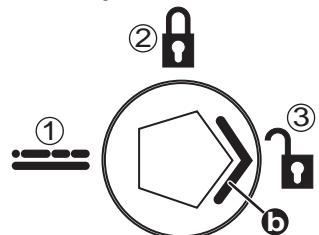
Insert the socket spanner



LED display hand set



Switch positions



9.4.5 Mechanically locking/unlocking the hand set function keys (programmable hand set without and with Trendelenburg)

The locking settings of the function keys are shown by the LED's (2) at the hand set.

LED on = function key enabled
LED off = function key locked

Locking/unlocking the function keys:

- ➔ Insert socket spanner in rotary knob.
- ➔ Turn the rotary knob marking (a) to the required setting.

Switch position 1 = „Patient mode“

- Function keys with illuminated LED are enabled.

Symbol: 

Display - „Patient mode“:

- (1) LED Power On - illuminates
- (2) LED for enabled functions - illuminates

Switch position 2 = Function keys locked

- All function keys disable.

Symbol: 

Display - function keys locked:

- (1) LED Power On - illuminates
- (2) LED key symbol - off

Switch position 3 = „Nurse mode“

- All function keys enabled

Symbol: 

Display - „Nurse mode“:

- (1) LED Power On - illuminates
- (2) LED key symbol - illuminates „green“

Switch position 4 = „Programme setting“ (see chapter 9.4.5)



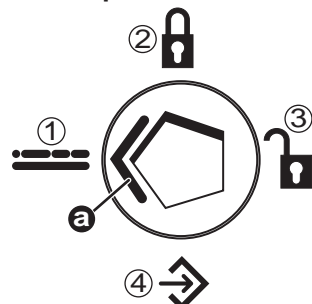
LED's at the hand set



Insert the socket spanner



Switch positions



9.4.6 Programming the function keys

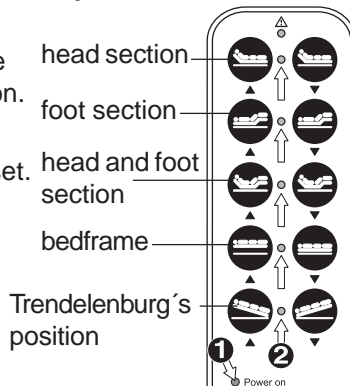
During programming, the key rows can be individually blocked / enabled for operation.

The locking settings of the function keys are shown by the LED's (2) at the hand set.

LED on = function key enabled

LED off = function key locked

Key functions



To program:

- Insert socket spanner in rotary knob.
- Turn the rotary knob marking (a) to the required program setting.

Symbol: ➡

Locking the function key:

- Press the key for the function which is to be locked

Display - function key locked:

- (1) LED Power On - illuminates
- (2) LED next to function off

Insert the socket spanner



Unlocking the function key:

- Press the key for the function which is to be enabled

Display - function key enabled:

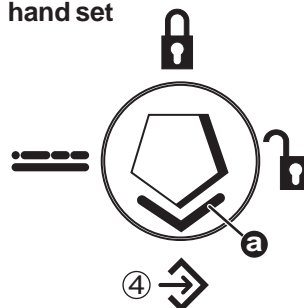
- (1) LED Power On - illuminates
- (2) LED next to function on

After programming:

- Turn the rotary knob marking (a) to „patient setting“.

Symbol: ≡

„Programme setting“ hand set



9.5 Operating the nursing bed adjustments



NOTE

The hand switch is locked during the initial startup, after the mains plug has been removed or after a power cut.

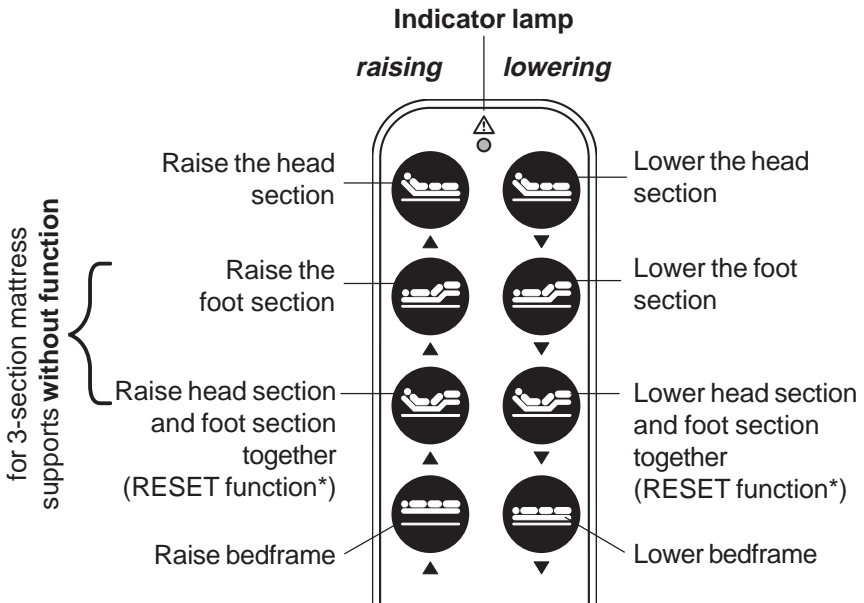
9.5.1 Hand set

Hand set signals when operating adjustment keys:

- Indicator lamp illuminates when adjustment key is pressed.

Error messages:

- The indicator lamp does not illuminate when operated = Control unit defective
- The indicator lamp is permanently illuminated without being operated = Control unit defective



* The RESET function:

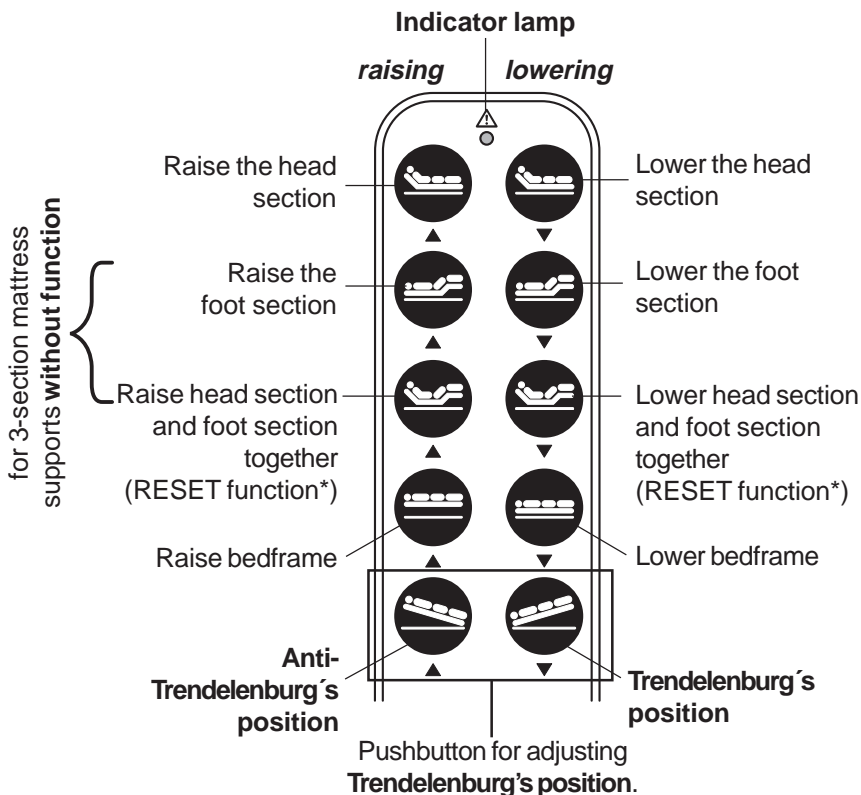
mattress support, head section and foot section are raised or lowered simultaneously.

This enables the mattress support to be run to its initial position quickly.

Initial position



9.5.2 Hand set with Trendelenburg's position



Possible danger through altering patient's position!

- Operation of Trendelenburg's position may only be carried out by nursing personnel if ordered by a doctor who is present at the time.

*The RESET function:

mattress support, head section and foot section are raised or lowered simultaneously. This enables the mattress support to be run to its initial position quickly.

Initial position



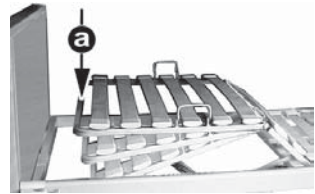
9.6 Adjusting the foot section (Rastomat)



NOTE

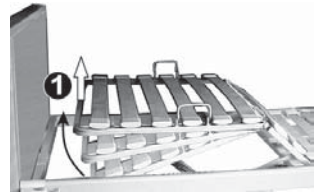
- Hold the frame in the middle (a) when raising or lowering the foot section.
- The automatic catch is intended for raising the lower leg support on the 4-part mattress support.

Raising



Raising the lower leg support on the electrically-driven foot section

- ➔ Raise the foot section slowly into the required position until the Rastomat audibly engages.

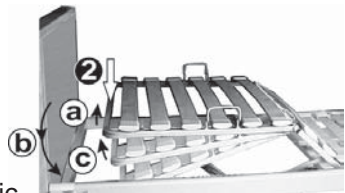


NOTE

- Raising the foot section until the top stop unlocks the automatic catch.

Lowering the foot section (2)

- ➔ a) Unlock the automatic catch by raising the foot section.
 - ➔ b) Lower the foot section as far as the bottom stop.
- or
- ➔ c) Lower the foot section to the central position and then ensure the automatic catch is audibly engaged by raising the foot section slightly.



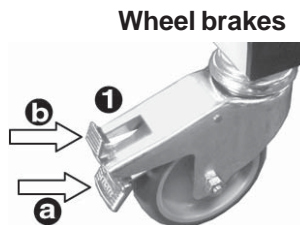
9.7 Operating the brakes



Danger of crushing!

- Before locking, turn the steering rollers to point towards the mattress support under the nursing bed.
- Ensure that the brake and unlocking levers (a+b) are freely accessible.

- ➔ (a) = engage wheel brakes
- ➔ (b) = disengage wheel brakes



9.8 Pushing the nursing bed and patient transport



NOTE:

- only transport patients in a lying position
- if the patient pole is fitted, ensure low hanging objects (ceiling lamps) are avoided.

Before moving:

- ➔ Run the reclining surface into the initial position.
Lower mattress support head and foot sections (observe chapter 9.5).
- ➔ Pull the bed rails up until the fastening knob engages.
- ➔ Remove the mains plug from the socket.
- ➔ Secure the mains cable against being run over by tying up with the safety strap (1) at the head of the bedframe.

Raise bed rails, initial position



Transport safety device

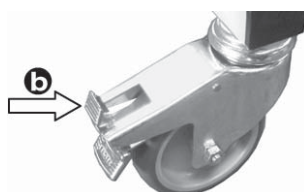


Risk of short-circuit and fire!

- Always secure the mains cable against being run over using the safety strap (1) before moving the nursing bed.

- ➔ (b) = disengage wheel brakes.
- ➔ Move the nursing bed.

Release wheel brakes



After moving:

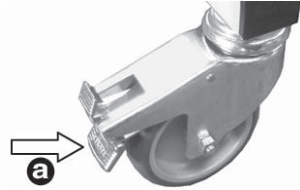
- ➔ Engage all wheel brakes (a).



Danger of crushing!

- Before locking, turn the steering rollers to point towards the mattress support under the nursing bed. Ensure that the brake and unlocking levers (a+b) are freely accessible.

Engage wheel brakes

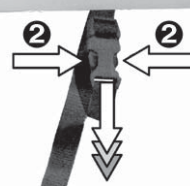


- ➔ Remove the mains plug from the safety strap.

To open the safety device, press the side tabs (2) on the locking device and pull back the lock.

- ➔ Plug the mains plug into the socket (see information in chapter 9.2).

Opening the transport safety device



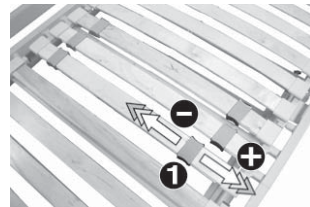
9.9 Adjusting the slatted frame springiness

The springiness for the individual slats can be adjusted using the six bars (1) fixed to the centre of the slatted frame. This enables the slatted frame to be adjusted to suit the user's weight within certain limits.

Pull bar out (+) = increase hardness

Push bar in (-) = decrease hardness

Adjusting the bars



10.0 Patient-related safety measures and adjustments made by nursing personnel

10.1 Limits of use

Particular patient illnesses (clinical condition) can lead to limitations being imposed on the nursing bed application capabilities. Before using the nursing bed, consult the specialist responsible for the patient.



Limitations of use!

- *Patients taller than 195 cm (6'-5'') should not use this nursing bed.*
N.b. An extended bed frame to suit patients up to 219 cm (7'-1'') is available from **Days Healthcare**.

10.2 Gap dimensions and bed rail spacing



Danger to life and injury hazard through crushing!

- *If the patient is underweight, ensure that the patient cannot slip down between the mattress and bed rails.*
- *If the patient is underweight, always use the bed rail protectors supplied by **Days Healthcare**.*
- *Always ensure that the bed rails are locked in properly.*

The following checks must be made on the nursing bed and suitable preventive measures must be taken in the case of extremely thin patients:

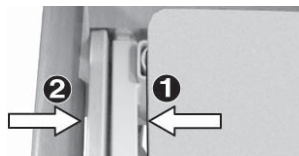
Check:

It must not be possible for the patient to slip between the mattress (1) and the bed rails (2).

Preventive measure:

Only use mattresses which have a reclining surface width of 90 cm!

Distance between mattress and bed rails



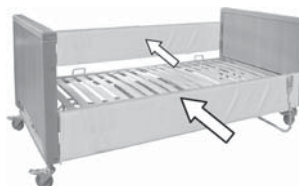
Check:

It must not be possible for the patient to slip between the bed rail capping.

Preventive measure:

Use the bed rail protectors supplied by **Days Healthcare**.

Bed rail protectors



10.3 Locking the nursing bed adjustments at the hand set



Possible danger through altering patient's position!

- *Always lock the nursing bed adjustment functions on the hand set which could cause danger to the patient's health if adjusted (consult doctor).*

Locking the adjustments takes place using the hand set.
The hand set operation is described in Chapter 9.4.

- ➔ Test locking by operating the function keys on the hand set.
The adjustment must not move.
If the locking system is faulty, replace the hand set or the control unit.

11.0 Cleaning



NOTE:

- When cleaning this bed, do not use any sharp-edged tools (knives, metal scrapers) or aggressive solvents.
 - Do not use high-pressure cleaners to clean this bed.
 - Observe the instructions issued with the cleansing agent in order to avoid damage to component surfaces.
- ➔ Use damp cloths to carry out cleaning work.
 - ➔ Only use mild cleansers free of scouring agents for cleaning any metal, wooden or plastic surfaces.

12.0 Testing plan for nursing beds



Hazards due to electrical and mechanical faults!

- Always remove faulty nursing beds from operation and secure them against unauthorised use (remove mains plug).
- Always report any faults found immediately to the responsible persons!



Accident hazard!

- It is imperative that you always rectify any faults which could influence the function and safety of the nursing bed immediately.

12.1 Daily checks

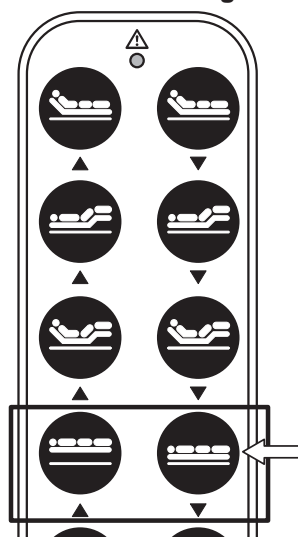
The following routine checks can be carried out by nursing personnel or attendants:

- Lower the nursing bed until both bed end motors are turned off.
- Check bed rails for easy movement and damage.
- Check the locking device on the bed rails for correct functioning.

Each time the nursing bed has been adjusted:

- Check the mains cable and mains plug for damage and kinks.
- Route the mains cable between the bed and mains socket so that it cannot be crushed or run over.

Lower the nursing bed



12.2 6-monthly inspection - check control unit

Preparation:

- ➔ Lock all adjustment functions at the hand set, then carry out performance test as described in the following "Check" section.

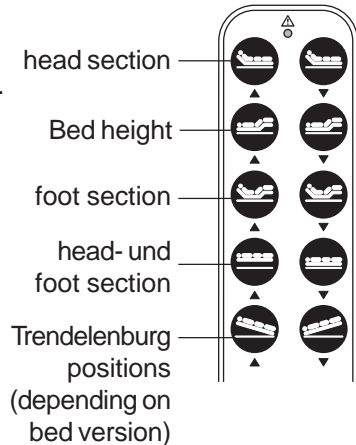


Check:

- ➔ Test all functions by activating the relevant function keys on the hand set.

None of the adjustment functions should react.

If an adjustment functions correctly, the control unit must be replaced.



12.3 Testing intervals

Testing intervals are dependant on the type of usage for **Days Healthcare** nursing beds.

- **Days Healthcare** prescribes testing intervals of two years for safety inspections in accordance with MPBetriebV (Germany) under normal environmental and operating conditions.
- If being brought back into use, inspections should take place before every new usage (after being assembled at the patient's location) and then every two years.
- Testing intervals should be shortened if the nursing bed has been subjected to higher loading (for example by frequent patient changes in a nursing home). In case of doubt, please contact **Days Healthcare** for advice.

12.4 Inspection of mechanical components

All inspection work described below may only be carried out by expert trained personnel.

Evaluation of the checklist and maintenance work carried out on the nursing bed may only be carried out by expert personnel with suitable training, knowledge and experience.

Description	Assessment	
	OK	defective
<i>Visible inspection of all frames and housing parts for deformation, damage, wear and corrosion:</i>		
Mattress support and its plastic elements	<input type="checkbox"/>	<input type="checkbox"/>
Bedframe side panels	<input type="checkbox"/>	<input type="checkbox"/>
Bedframe head and foot	<input type="checkbox"/>	<input type="checkbox"/>
Backrest adjustment guides	<input type="checkbox"/>	<input type="checkbox"/>
Bed rails	<input type="checkbox"/>	<input type="checkbox"/>
All lifting device components	<input type="checkbox"/>	<input type="checkbox"/>
Track rollers	<input type="checkbox"/>	<input type="checkbox"/>
Check all connecting elements (e.g. nuts, bolts, rivets..) for completeness, function and correct seating.	<input type="checkbox"/>	<input type="checkbox"/>
all casings	<input type="checkbox"/>	<input type="checkbox"/>
existing casing seals	<input type="checkbox"/>	<input type="checkbox"/>
casing bolt seating	<input type="checkbox"/>	<input type="checkbox"/>
patient pole attachment	<input type="checkbox"/>	<input type="checkbox"/>
all patient pole components	<input type="checkbox"/>	<input type="checkbox"/>

Description	Assessment	
	OK	defective
<i>Performance check to track rollers and brakes:</i>		
easy running gear movement (rolling and steering)	<input type="checkbox"/>	<input type="checkbox"/>
castor locking in "straight ahead" setting	<input type="checkbox"/>	<input type="checkbox"/>
function and locking of brakes	<input type="checkbox"/>	<input type="checkbox"/>
<i>Performance check for bed rails:</i>		
easy movement in running guides	<input type="checkbox"/>	<input type="checkbox"/>
locking (easy movement, play)	<input type="checkbox"/>	<input type="checkbox"/>
difference between bar caps, max. 12 cm, even under load (see <i>dimension A</i> , chapt. 17.1 "Specifications")	<input type="checkbox"/>	<input type="checkbox"/>
Distance between bed rails and bed frame max. 12 cm, even under load (see <i>dimension B</i> , chapt. 17.1 "Specifications")	<input type="checkbox"/>	<input type="checkbox"/>
Deformation under load	<input type="checkbox"/>	<input type="checkbox"/>
<i>Mechanical testing of patient pole under load:</i>		
Check triangle for integrity	<input type="checkbox"/>	<input type="checkbox"/>
Check triangle belt for integrity	<input type="checkbox"/>	<input type="checkbox"/>
Check patient pole tube for deformation under load	<input type="checkbox"/>	<input type="checkbox"/>

12.5 Inspection of electrical components

Description	Assessment	
	OK	defective
<i>Visual inspection of electrical components:</i>		
mains cable for kinks and damage	<input type="checkbox"/>	<input type="checkbox"/>
hand set cabling for kinks and damage	<input type="checkbox"/>	<input type="checkbox"/>
mains plug for damage	<input type="checkbox"/>	<input type="checkbox"/>
internal cabling for kinks and damage (especially at critical locations such as cable leadthroughs, movable mattress support parts and the lifting device)	<input type="checkbox"/>	<input type="checkbox"/>
correct cable routing	<input type="checkbox"/>	<input type="checkbox"/>
<i>Correct seating and condition of all:</i>		
plug contacts	<input type="checkbox"/>	<input type="checkbox"/>
plug contact sealing rings	<input type="checkbox"/>	<input type="checkbox"/>
cable leadthroughs	<input type="checkbox"/>	<input type="checkbox"/>
cable fixings	<input type="checkbox"/>	<input type="checkbox"/>
tension protection	<input type="checkbox"/>	<input type="checkbox"/>
anti-kink sheaths	<input type="checkbox"/>	<input type="checkbox"/>
<i>Performance inspection of electrical components:</i>		
Motor switch-off caused by limit position switches by running all adjustments up as far as the possible limit position Switch-off is working correctly if: • the switching noise in the switch-off relay is audible	<input type="checkbox"/>	<input type="checkbox"/>
motors (noises, speed)	<input type="checkbox"/>	<input type="checkbox"/>
keys on remote control (function, use of movement, damage)	<input type="checkbox"/>	<input type="checkbox"/>

12.6 Measurements

Some countries in the European Union have a legal requirement to carry out the measurements listed below.

The nursing bed operator is responsible for determining the appropriate national regulations.

All measurements described below may only be carried out by expert trained personnel and with the use of suitable measuring instruments. Any faults noted must be reported to the responsible person immediately and rectified.



Hazards due to electrical and mechanical faults!

- *Always remove faulty nursing bed from operation and secure them against unauthorised use (remove mains plug).*



Accident hazard!

- *It is imperative that you always rectify any faults which could influence the function and safety of the nursing bed immediately.*

Description	Assessment	
	OK	defective
<i>The following measurements must be carried out in accordance with DIN VDE 0751 :</i>		
Earth conductor resistance (only Class I devices)	<input type="checkbox"/>	<input type="checkbox"/>
Equivalent leakage currents	<input type="checkbox"/>	<input type="checkbox"/>

Information about measurement of equivalent leakage currents:

Typical value: < 20 µA

Measurement locations: shorted-out power plug (L+N) against...

- 1.) ...metallic lift motor parts (bed end motors)
- 2.) ...blank metallic bedframe locations (bolts etc.)

13.0 Troubleshooting

Fault	Model	Cause	Remedy
Mattress support head section or foot section, or bed frame, cannot be raised/lowered	all models	Mains plug not plugged in	see chapt. 9.2
		Hand set locked	see chapt. 9.4
		Thermoswitch active	try again after 20-30 minutes
		Hand set defective	Inform your dealer
Control unit defective			
Mattress support foot section does not locate when being raised	all models	Automatic catch defective	Inform your dealer
Castors cannot be locked	all models	Castor defective	Inform your dealer
		Locking bar or castors defective	Inform your dealer
Bed rails jam	all models	Fixing dirty or broken	see chapt. 7.13
Hand set indicator lamp is never illuminated when operated	all models	Adjustment locked (hand set)	see chapt. 9.4
		Drive load exceeded	Reduce drive load
		Controller defective	Inform your dealer

14.0 Storage of the nursing bed with the transport and storage system (TLSU)

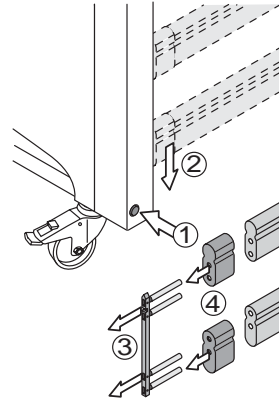
Please proceed as follows to store the nursing bed:

14.1 Dismantling the nursing bed

- ➔ Remove patient pole.
- ➔ Remove bed rails, to do this ..
...at the **foot end**:

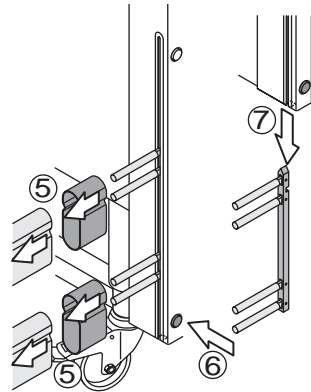
- (1) press in the unlocking lever
- (2) pull the slider out of the guide groove and
- (3) remove it from the bed rail cappings.
- (4) Remove the plastic caps.

Remove bed rails



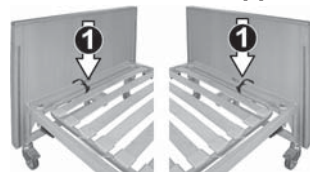
...at the **head end**:

- (5) pull the bed rail cappings and the plastic caps off the slider.
- (6) press in the unlocking lever and
- (7) pull the slider out of the guide groove.



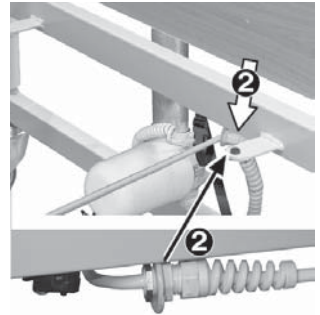
- ➔ Secure the mattress support with the retaining belts (1) on the bed frames.

Secure mattress support



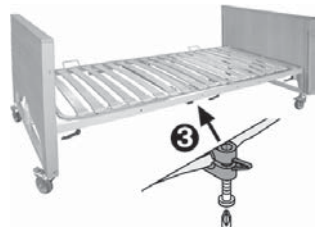
- ➔ Loosen the anti-kink and tension protectors (2) for the mains cable from the bed frames (spanner size 19 mm).

Remove mains cable



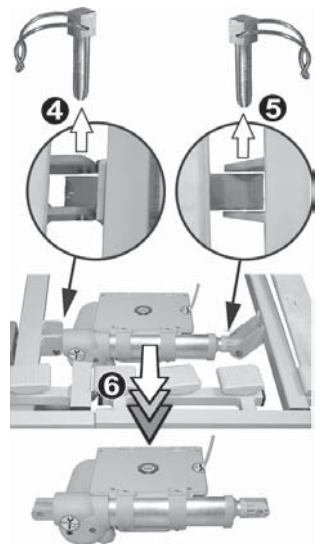
- ➔ Remove the hand set cable from the tension protection (3) on the bed frames.

Remove hand set cable



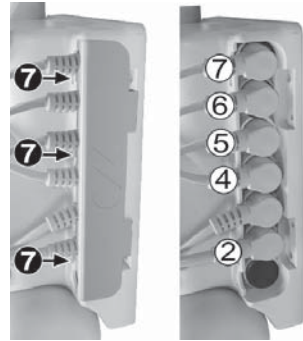
- ➔ Pull both quick-release bolts (4 + 5) out of the receptacle and remove mattress support motor (6) complete with control unit.

Remove mattress support motor with control unit



- ➔ Unlock the tension relief by pressing in the side clamps (7) and remove.
- ➔ Disconnect the following electrical component plugs from the control unit:
 - 2 = Hand set
 - 4 = mattress support motor for foot section adjustment
 - 5 = Cable for lift motor; foot section
 - 6 = Cable for lift motor; head section
 - 7 = Accumulator box
(only nursing beds with Trendelenburg's position)

Disconnect the plugs



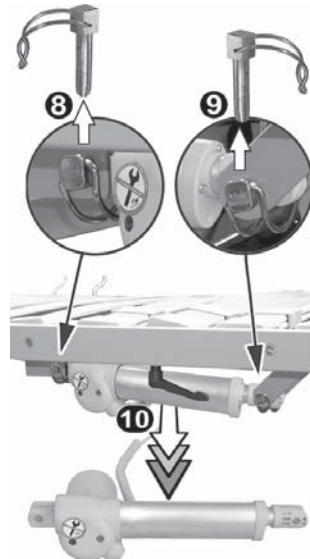
- ➔ Remove the accumulator box from the nursing bed (only nursing beds with Trendelenburg's position).

Remove accumulator box



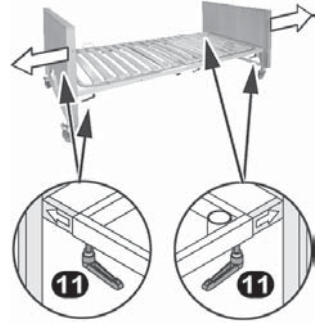
- ➔ Pull both quick-release bolts (8 + 9) out of the receptacle and remove mattress support motor (10).

Remove mattress support motor



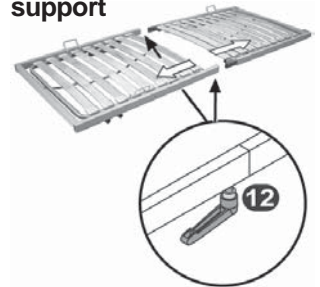
- ➔ Loosen the hand levers (11) and remove both bed ends from the mattress support.

Remove the bed ends



- ➔ Loosen the hand levers (12) and separate the mattress support.

separate the mattress support



14.2 Placing the components in the transport and storage system (TLSU)

➔ Fix the bed ends to the TLSU as follows:

- (1.) Push the TLSU (1) onto the bed end guides.

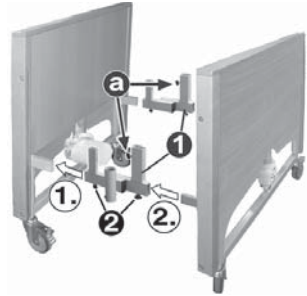


NOTE:

The mountings (a) with the clamping screws must be pointing in the same direction.

- (2.) Push the second bed end with the guides into the TLSU mountings.

Fix the bed ends to the TLSU



➔ Fix the connection by tightening the clamping screws (2).

➔ Push the mattress support foot section (3) **into** the TLSU guides and secure by tightening the hand levers.

➔ Push the mattress support head section (4) **onto** the TLSU guides and secure by tightening the hand levers.

➔ Place the laying area motor, bed rails and small parts upright between the mattress support components (packed in original carton if possible (5)).

➔ Push the patient pole into the TLSU mounting (6).



15.0 Disposal

To comply with national law, the following instructions are guidelines for the disposal of your product at the end of its life or when it ceases to function economically. Recent legislation on electrical equipment indicates that the equipment must be disposed of in a proper manner.

- The product and /or its components are not to enter the system of landfill sites.
- The product and /or its components are not to be disposed of in domestic household waste.
- The electrical and material parts are to be disposed of as scrap or recycling materials.
- Local waste collection depots are available to advise and dispose of electrical products.
- Batteries which contain liquid acid must be stored and disposed of separately at these depots.
- Please enquire about disposal depots with your local authority.
- Should you require further advice, please contact your supplier or nearest dealer.



16.0 Appendix

16.1 Specifications: nursing bed

CE certification in accordance with 93/42/EEC

Max. user weight _____ 140 kg

Max. working load:

nursing bed ¹⁾ _____ 175 kg

patient pole _____ 80 kg

Nursing bed weight:

Total weight:

Med Classic FS _____ 107.6 kg

Individual weights:

mattress support,
head section _____ 17 kg

foot section _____ 15.0 kg

complete _____ 32.0 kg

bed rail capping _____ 2 kg

bed end _____ 25,4 kg

patient pole _____ 7 kg

control unit _____ 1,8 kg

mattress support motor 2.1 kg

hand set _____ 0.3 kg

Mattresses to be used ²⁾:

Dimensions (width x length x height):

90x200x10

or _____ 90x200x12

Matters weight of unit volume ²⁾:

depending on

model _____ 25 - 50 kg/m³

Weight _____ 6 - 12 kg

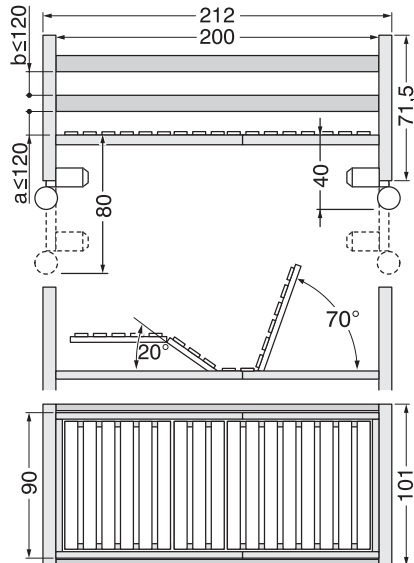
Storage temperature: ___ +5°C

to _____ +45°C

Storage humidity: _____ 30%

to _____ 75%

Nursing bed dimensions:



¹⁾ max. working load = max. user weight + 35 kg accessories (mattress, bed linen etc.)

²⁾ the mattress is not included in the delivery / all dimensions rounded off and in cm

16.2 Specifications: Drive system

Power supply _ 230 VAC 50 Hz
 Safety class _____ II
 Ingress protection _____ IP44
 Noise level _____ ≤ 65 dB(A)
 Maximum continuous operation _____ 2 minutes
 Minimum pause after operation _____ 18 minutes
 Lift - lying area motor
 Head section _____ 85 mm

Foot section _____ 85 mm

Operating conditions:

room temperature _____ +10°C
 up to _____ +40°C
 relative humidity _____ 30%
 up to _____ 75%


Storage humidity: _____ 30%
 to _____ 75%


16.3 Nursing bed labelling


16.3.1 Nameplate

The nameplate is located on the bed end of the nursing bed and contains the following information:




 = Safety class II (double insulated)


 = CE-certification
 in accordance with 93/42/EWG

 = application part type B

IP 44 = Ingress Protection (splashproofed)

 = Reference to the operating manual

AB 2 min/ 18 min = 2 minutes maximum continuous operation of actuator motors
 = 18 minutes minimum pause after 2 minutes operation

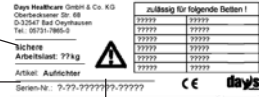
 = Note for disposal



16.3.2 Patient pole component sign

The component sign is located on the lower part of the patient pole and contains the following information:

- warning information about maximum loading allowable.
- item description
- reference to the operating manual



16.4 Accessories

Please contact your **Days Healthcare** dealer to order any articles required.

Description	Order-No.
Urine bottle with holder	03-20-000-000-00
Bed rail protectors, 190 x 39 cm, 1 piece	B4-01-001-050
Transport and storage system	Q1-07-001-001
Triangle with length-adjustable belt	K2-03-001-002
Bed rail, collapsible, beige, right	B3-05-01R
Bed rail, collapsible, beige, left	B3-05-01L

16.5 Spare parts

Spare parts can be obtained from your **Days Healthcare** specialist dealer. Only original **Days Healthcare** spare parts may be used (See dealer stamp on reverse of the envelope).

17.0 Warranty

Days Healthcare gives a guarantee of 24 months perfect functioning within its General Terms and Conditions for the nursing bed.

- During warranty period any parts that have become defective due to faulty workmanship or materials will be repaired or replaced without charge by Days Healthcare supplier/dealer.
- The warranty excludes items that become worn due to normal wear and tear such as castors etc.
- The warranty excludes all items that have been subjected to undue wear and tear and misuse.
- Unauthorised changes or modifications will forfeit your warranty.
- If a defect or fault is discovered, the Days Healthcare supplier/dealer from who the product was purchased should be notified immediately.

Limitation of Liability

The warranty does not extend to the consequential costs resulting from fault clearance, in particular freight and travel costs, loss of earnings, expenses, etc. The manufacturer will not accept responsibility for any damage or injury caused by misuse or non-observances of the instructions set out in the user manual.



Days healthcare

North Road
Bridgend Ind Est
Bridgend
UK
CF31 3TP
Tel 01656 664700
Fax 01656 664750
E-Mail info@dayshealthcare.com
www.dayshealthcare.com