



Zebra EMEA

Euro Mobile Price List

Effective 5th February 2007



QL Plus Series



RW Series



Cameo Series



MZ Series

Please note this document is designed to be used in Acrobat Version 6 or above. This can be downloaded for free at :
<http://www.adobe.com/products/acrobat/readstep2.html>



RW Series Printer Configuration sheet

QL Plus Printer Configuration sheet

Cameo Printer Configuration sheet

MZ Series Printer Configuration sheet

Cable Matrix

ZebraCare

RW420 Spares

RW220 Spares

QL420 Spares Diagram

QL420 Spares

QL320 Spares Diagram

QL320 Spares

QL220 Spares Diagram

QL220 Spares

Cameo 2 Spares

Cameo 3 Spares

PA/PT Spares

Media Specifications And Details

Zebra Technologies Europe Ltd
Zebra Brand Mobile EUR Printer Price List

Zebra RW™ 200dpi / CPCL

Includes in each printer: Battery, Belt Clip, Quick Start Guide, 8MB DRAM, 4MB Flash (CPCL Programming Language with ZPL/EPL Emulations), LCD Display

Note: Battery Charger not included

Part Number	Print Head Width	Description	Features		Suggested List Price €
			8MB Flash Memory	4MB DRAM	
R 4 A 0 U _ _ 0 _ 0 E 0 0	4"	RW 420 4" Portable Receipt Printer	✓	✓	€ 855.00
R 2 A 0 U _ _ 0 _ 0 E 0 0	2"	RW 220 2" Portable Receipt Printer	✓	✓	€ 695.00

RW™ Series Configurations

			Wireless Models	
R _ A	0 U 0 _ 0 _ 0 E	0 0	Cable only	N/C
R _ A	0 U B _ 0 _ 0 E	0 0	Bluetooth	€ 152.00
R _ A	0 U F _ 0 _ 0 E	0 0	802.11b Zebra Radio	€ 385.00
R _ A	0 U K _ 0 _ 0 E	0 0	802.11g Zebra Radio	€ 410.00
R 4 A	0 U M _ 0 _ 0 E	0 0	802.11b (Symbol CF) - RW 420 Only	€ 470.00
			Media Handling Options	
R _ A	0 U _ A 0 _ 0 E	0 0	Standard media (with IP54 rating)	N/C
R 4 A	0 U _ C 0 _ 0 E	0 0	External/Fanfold media support (no IP54 rating) - fanfold bin/media spacers ordered separately - RW420 Only	N/C
			Readers	
R _ A	0 U _ _ 0 0 0 E	0 0	None	N/C
R _ A	0 U _ _ 0 1 0 E	0 0	Mag Card/Smart Card Reader (EMV certified)	€ 154.00

RW™ Accessories

BT11132-1	RW Series Shoulder Strap	€ 10.00
BT16899-1	RW 420 Hand Strap	€ 13.00
AK17463-001	RW 420 Soft Case	€ 57.00
AK18026-001	RW 220 Soft Case	€ 53.00
AK17463-002	Ram Mount Kit (for flexible mounting of the RW 420 vehicle cradle)	€ 49.00
AK18178-1	RW 420 Vehicle cradle with built in DC/DC 9-30 VDC charger & cigarette lighter adapter cable	€ 244.00
AK18178-2	RW 420 Vehicle cradle with built in DC/DC 9-30 VDC charger & open ended cable	€ 244.00
AK17463-018	RW 220 Vehicle cradle (includes mounting arm and base plate. Power supply sold separately)	€ 146.00
CC16614-G1	Li Ion DC/DC 12 VDC (for vehicle charging without the cradle)	€ 122.00
CC16614-G2	Li Ion DC/DC 9-30 VDC (for vehicle charging without the cradle)	€ 203.00
CC16614-G3	Li Ion DC/DC 30-60 VDC (for vehicle charging without the cradle)	€ 285.00
CC16614-G9	Li Ion DC/DC 12 VDC with cigarette lighter adapter (for vehicle charging without the cradle)	€ 122.00
AK17463-005	RW 420 four cell Li Ion battery	€ 102.00
AK18026-002	RW 220 four cell Li Ion battery	€ 77.00
AT15759-2	UK QL Series Lithium - Ion Fast Charger Model UCN72	€ 81.00
AT15759-3	Europe QL Series Lithium - Ion Fast Charger Model UCN72	€ 81.00
AC18177-1	UK QL Series Lithium - Ion Quad Charger (charges up to 4 QL batteries)	€ 407.00
AC18177-2	Europe QL Series Lithium-Ion Quad Charger (charges up to 4 QL batteries)	€ 407.00
AT17010-1	USB-A to USB Mini-B cable	€ 19.00
BL17205-1	Serial, RJ-45, interlocking cable	€ 33.00
AK17527-001	VPN license: License, Password & QSG for enabling CPN on your RW420 printer (Symbol 802.11b version only)	€ 41.00
AN11209-1	12 printhead cleaning pens	€ 20.00

RW™ Aftermarket

Printer	Application/Material Type	Product	Part Number	Size	Box quantity	Price per roll
RW420	Receipt Material	RW2024E	3004596	101.6mm x continuous	16	€ 3.86
RW420	Receipt Material	Direct Tag 850	3003072	101.6mm x continuous	16	€ 4.24

For a more detailed label price list please click on the printer -> [RW420](#)

For ZebraCare extended warranty information please click here -> [ZebraCare](#)

For Spare part information please click on the appropriate printer -> [RW 420](#) [RW 220](#)

For information on cables please click here -> [Cables](#)

RW™ are trademarks of Zebra Technologies Corporation.

Note:

- The RW Series uses the same charger AT17696-X, or Quad Charger AC18177-X as the QL Plus Series.
- The RW Series uses a different type of serial connector to that used on the QL Plus and Cameo and therefore cables listed for QL Plus and Cameo cannot be used with the RW Ser

Zebra Technologies Europe Ltd
Zebra Brand Mobile EUR Printer Price List

Zebra QL Plus™ Series							
Description: Mobile label & receipt printer. Included in each printer: Battery, 4MB Flash, 8MB DRAM, LCD display, Label present sensor, User manual, Accessories CD, Shoulder strap, Media width auto sensing (QL320 & QL420 only), Belt Clip, (CPCL Programming Language with ZPL/EPL Emulations)							
Note:- Battery charger not included							
Part Number	PrintHead Width	Description	Features			Suggested List Price €	
			Lithium Ion Battery	Black Mark & Gap Sensor	Max. Print Speed ips		
Base Printer Model							
Q 2 C - L U _ _ E 0 1 0 - 0 0	2"	QL Plus 220	✓	✓	3	€ 745.00	
Q 3 C - L U _ _ E 0 1 1 - 0 0	3"	QL Plus 320	✓	✓	4	€ 875.00	
Q 4 C - L U _ _ E 0 1 1 - 0 0	4"	QL Plus 420	✓	✓	4	€ 965.00	
Zebra QL Plus™ Series Configurations							
QuickLink Module (choose one)							
Q _ _ - _ _ 1 _ E 0 _ _ - _ _		Cable only				N/C	
Q _ _ - _ _ 2 _ E 0 _ _ - _ _		IrDA				€ 102.00	
Q _ _ - _ _ B _ E 0 _ _ - _ _		Bluetooth				€ 152.00	
Q _ _ - _ _ F _ E 0 _ _ - _ _		802.11b Zebra Radio				€ 385.00	
Q _ _ - _ _ K _ E 0 _ _ - _ _		802.11g Zebra Radio				€ 410.00	
Q _ _ - _ _ N _ E 0 _ _ - _ _		802.11b (Symbol CF) Worldwide				€ 470.00	
Media Handling (choose one)							
Q _ _ - _ _ C E 0 _ _ - _ _		Direct Thermal/ Lined Platen (Standard)				N/C	
Q _ _ - _ _ D E 0 _ _ - _ _		Direct Thermal/Linerless Platen				€ 52.00	
Zebra QL Plus™ Series Accessories							
RK17735-018		Quicklink upgrade Module - IrDA for QL320/QL420***				€ 102.00	
RK17735-005		Quicklink upgrade Module - Bluetooth for QL320/QL420***				€ 152.00	
RK17735-006		Quicklink upgrade Module - 802.11b (Symbol CF) for QL320/QL420***				€ 470.00	
RK17735-008		Quicklink upgrade Module - 802.11b (Zebra) for QL320/QL420***				€ 385.00	
RK17735-020		Quicklink upgrade Module - 802.11g (Zebra) for QL320/QL420***				€ 410.00	
BT11132 - 1		QL Carrying Strap				€ 10.00	
DA16803 - 2		QL220 Soft Case				€ 67.00	
DA16307 - 2		QL320 Soft Case				€ 67.00	
DA16473 - 2		QL420 Soft Case				€ 73.00	
BT16899-1		QL 8" Hand Strap with plastic clips				€ 12.00	
DA12629 - 1		QL320/QL420 Printer Stand				€ 52.00	
AK17518-001		QL420 Handi-mount (compact, flexible RAM arm) with Base Plate				€ 211.00	
AK17518-002		QL420 Handi-mount (compact, flexible RAM arm) without Base Plate				€ 159.00	
DC16620-1		QL 420 Mobile Mount Kit (power supply sold separately)				€ 346.00	
CC16614-G1		Mobile Mount Power Supply - Lithium - Ion DC/DC 12VDC				€ 122.00	
CC16614-G2		Mobile Mount Power Supply - Lithium - Ion DC/DC 9 - 30VDC				€ 203.00	
CC16614-G3		Mobile Mount Power Supply - Lithium - Ion DC/DC 30-60VDC				€ 285.00	
CC16614-G9		Li Ion DC/DC 12 VDC with cigarette lighter adapter (for vehicle charging without the cradle)				€ 122.00	
AT16004 - 1		Spare Battery - Lithium - Ion Battery for the QL 220/QL 320				€ 77.00	
AT16293 - 1		Spare Battery - Lithium - Ion Battery for the QL 420				€ 102.00	
AT15759-2		UK QL Series Lithium - Ion Fast Charger Model UCN72				€ 81.00	
AT15759-3		Europe QL Series Lithium - Ion Fast Charger Model UCN72				€ 81.00	
AC18177-1		UK QL Series Lithium - Ion Quad Charger (charges up to 4 QL batteries)				€ 407.00	
AC18177-2		Europe QL Series Lithium-Ion Quad Charger (charges up to 4 QL batteries)				€ 407.00	
AT17010-1		USB-A to USB Mini-B cable				€ 19.00	
AK17527-001		VPN license: License, Password & QSG for enabling CPN on your QL printer (Symbol 802.11b version only)				€ 41.00	
Zebra QL Plus™ Series Aftermarket							
Printer	Application/Material Type	Product	Part Number	Size	Box quantity	Price per roll	
Labels	QL220	Reduced Price Label	Direct 2100	3003060	50.8mm x 38.1mm	20	€ 2.68
	QL220	Shelf Edge Ticket	Direct Tag 1100	3003344	38.1mm x 76.2mm	16	€ 5.59
	QL320	Reduced Price Label	Direct 2100	3003353	60mm x 50mm	16	€ 5.11
	QL320	Shelf Edge Ticket	Direct Tag 1100	3003349	76.2mm x 38.1mm	16	€ 5.48
	QL420	Receipt Material/Parking enforcement	Direct Tag 850	3003072	101.6mm x continuous	16	€ 4.24
	QL420	Warehouse location label	Direct 2100	3003076	101.6mm x 50.8mm	16	€ 6.48
For a more detailed label price list please click on the appropriate printer -> QL220 QL320 QL420							
For ZebraCare extended warranty information please click here -> ZebraCare							
For Spare part information please click on the appropriate printer -> QL220 QL320 QL420							
For information on cables please click here -> Cables							

*Cisco 802.11b & 802.11 radio is only available as factory configured

**Clips onto Symbol SPT 1800/2800 or 1700/2700 to provide SRRF connectivity

QL™ and ZPL® are trademarks of Zebra Technologies Corporation.

Zebra Technologies Europe Ltd
Zebra Brand Mobile EUR Printer Price List

Zebra Cameo™						200dpi / CPCL	
Includes in each printer: Battery, Belt Clip, User manual, Accessory CD, Shoulder strap,							
Note: Battery Charger not included							
Part Number	Print Head Width	Description	Features		Suggested List Price €		
			1MB Flash Memory	256K SRAM			
C 2 B 0 U _ _ E 0 1 _ 0 0	2"	Cameo™ 2 Portable Receipt Printer 1MB/1MB	✓	✓	€ 495.00		
C 3 C 0 U _ _ E 0 1 _ 0 0	3"	Cameo™ 3 Portable Receipt Printer 2MB/2MB	✓	✓	€ 650.00		
Cameo™ Series Configurations							
Wireless Models							
C _ _ 0 _ 1 _ E 0 _ _ 0 0		Cable only			N/C		
C _ _ 0 _ 2 _ E 0 _ _ 0 0		Wireless IrDA			€ 102.00		
C _ _ 0 _ B _ E 0 _ _ 0 0		Bluetooth			€ 152.00		
Media Handling Options							
C _ _ 0 _ _ A E 0 _ _ 0 0		Linered Platen			N/C		
C 2 B 0 _ _ C E 0 _ _ 0 0		Linerless Platen (C2 only)			€ 52.00		
Other Options							
C _ _ 0 _ _ _ E 0 _ 0 0 0		None			N/C		
C _ _ 0 _ _ _ E 0 _ 1 0 0		Mag Card Reader			€ 77.00		
Cameo™ Accessories							
DC15178-*	Cameo™ 2 Boot*Suffix depends on hole configuration					€ 78.00	
DA15161-1	Cameo™ 2 Soft Case					€ 45.00	
DC15271-*	Cameo™ 3 Boot*Suffix depends on hole configuration					€ 78.00	
DA15421-1	Cameo™ 3 Soft Case					€ 46.00	
CC11616-000	Belt (for use with soft case)					€ 8.00	
CA15582-1	Clip for Shoulder Strap*required when ordering shoulder strap seperatley					€ 2.95	
CC14035-4	Cameo™ 2 Battery					€ 71.00	
CC15294-4	Cameo™ 3 Battery					€ 59.00	
AT17950-2	U.K. UCN72 Series Fast Charger (60-90 minutes)					€ 77.00	
AT17950-3	European UCN72 Series Fast Charger					€ 77.00	
AT13824-1	Vehicle Adapter/Trickle Charger 12V with Crimp terminated wires					€ 41.00	
AT15390-1	Vehicle Adapter/Trickle Charger 12V with Cigarette lighter adpater					€ 69.00	
Cameo™ Aftermarket							
	CC14036-1	Cameo 2 Print Head					€ 93.36
	CC15301-1	Cameo 3 Print Head					€ 95.48
Labels	Printer	Application/Material Type	Product	Part Number	Size	Box quantity	Price per roll
	Cameo 2	Receipt Material	Direct tag 850	3003061	50mm x continuous	20	€ 2.34
	Cameo 3	Receipt Material	Direct tag 850	3003070	76.2mm x continuous	20	€ 3.56
For a more detailed label price list please click on the appropriate printer -> Cameo 2 Cameo 3							
For ZebraCare extended warranty information please click here -> ZebraCare							
For Spare part information please click on the appopriate printer -> Cameo 2 Cameo 3							
For information on cables please click here -> Cables							

Cameo™ are trademarks of Zebra Technologies Corporation.

Zebra MZ™ Series

Description: Mobile receipt printer - 4MB Flash, 8MB DRAM - CPCL Programming language.

Included with each printer: Battery, Belt Clip (Integrated), AC Adaptor, roll of media. Note that cables must be ordered separately.

Part Number	PrintHead Width	Description	Features			Suggested List Price €
			Lithium Ion Battery		Max Print Speed ips	
Base Printer Model						
M 2 E - 0 U _ 0 E 0 _ 0 - 0 0	2"	MZ 220	✓		3	€ 400.00
M 3 E - 0 U _ 0 E 0 _ 0 - 0 0	3"	MZ 320	✓		3	€ 450.00

Zebra MZ™ Series Configurations

		QuickLink Module (choose one)			
M	- E -	- 1 - - - - -	- 0 0	USB/IrDA	N/C
M	- E -	- B - - - - -	- 0 0	Bluetooth	€ 95.00
M	- E -	- K - - - - -	- 0 0	802.11g Zebra Radio	€ 350.00
		AC Power Adaptor Type			
M	- -	- 2 - - - - -	- 0 0	EU Plug	N/C
M	- -	- 6 - - - - -	- 0 0	UK Plug	N/C

Zebra MZ™ Series Accessories

AK18372-1	Shoulder Strap	€ 10.00
AK18354-1	MZ 220 Protective Skin/Case (Includes Shoulder Strap)	€ 24.00
AK18435-1	MZ 320 Protective Skin/Case (Includes Shoulder Strap)	€ 24.00
AK18356-1	Cigarette Lighter Adapter for MZ 220 or MZ 320	€ 33.00
AK18353-1	MZ Series Spare Battery	€ 75.00
AK18355-5	AC Power Supply - EU Adaptor	€ 30.00
AK18355-6	AC Power Supply - UK Adaptor	€ 30.00
AK18342-5	MZ Series 4 Bay Charging Station - EU Adaptor	€ 285.00
AK18342-6	MZ Series 4 Bay Charging Station - UK Adaptor	€ 285.00
AK17527-001	VPN license: License, Password & QSG for enabling VPN on your MZ Series printer with 802.11g Zebra Radio	€ 41.00
AN11209-1	Cleaning Supplies - 12 printhead cleaning pens	€ 20.00

Zebra MZ™ Series Aftermarket

Labels	Printer	Application/Material Type	Product	Part Number	Size	Box quantity	Price per roll
	MZ 220	Receipt Media 60 Micron	Z Perform 1000 D 60	3006130-T	50.8mm x Cont	30	€ 2.57
	MZ 220	Receipt Media 80 Micron	Z Perform 1000 D 80	3006129-T	50.8mm x Cont	30	€ 2.01
	MZ 320	Receipt Media 60 Micron	Z Perform 1000 D 60	3006132-T	76.2mm x Cont	30	€ 3.54
	MZ 320	Receipt Media 80 Micron	Z Perform 1000 D 80	3006131-T	76.2mm x Cont	30	€ 2.78

For ZebraCare extended warranty information please click here -> [ZebraCare](#)

MZ™ and CPCL® are trademarks of Zebra Technologies Corporation.

Zebra Technologies Europe Ltd
Zebra Brand Mobile EUR Printer Price List

Mobile Printer Cable Pricing												
	Model	Connector Type	Encore Cameo QL part #	Encore Cameo QL List Price €	Cable Type	PA/PT part #	PA/PT List Price €	Cable Type	RW part #	RW Part Price €	Cable Type	
Compass	Apex II, III, IV	MOD-10	BL12093-3	38.00	8' Coiled AP (DTR)	N/A			AK17594-815	38.33	8' Coiled AP (DTR)	
			CL16894-3	38.33	8' Coiled AP (DTR), Rt Angle							
IPAQ	H3100, H3600, H3700	Foxconn 12pin	BL16386-1	41.00	4' Straight	N/A						
	H2200, H3800 H3900, H4100, H4300, H5100, H5400, H5500	Foxconn 22pin	BL16470-1	41.00	4' Straight	N/A						
HP	7500, 7506	DB-9M	BL11757-000	41.00	6' Straight Auto Power (DTR)	562014	36.00	6' Straight				
Intermec / Norand	CK30, CK31	JAE-26M	BL16817-1	83.53	8' Coiled Right Angle Auto Power (DTR)				AK17594-119	83.53	8' Coiled AP (DTR)	
	CK60	DB-9M using I-mec #225-690-002	BL11757-000	41.00	6' Straight Auto Power (DTR)				BL17205-1	39.31	6' Straight Auto Power (DTR)	
	CN2	DB-9M using Intermec #074247	BL11757-000	41.00	6' Straight Auto Power (DTR)				BL17205-1	39.31	6' Straight Auto Power (DTR)	
	CT60, CV60	DB-9M	BL11757-000	41.00	6' Straight Auto Power (DTR)				BL17205-1	39.31	6' Straight Auto Power (DTR)	
	700	Hirose, 16F Pin	BL16815-1	78.62	8' Coiled Right Angle Auto Power (DTR)				AK17594-115	78.62	6' coiled	
	1100, 1700	Mini DIN-6	BL11537-1	52.00	8' Coiled Over Molded Mini Din	N/A						
			BL11537-2	62.00	12' Coiled Over Molded Mini Din							
			BL13309-1	49.00	8' Coiled Non-Locking Auto Power (RTS)							
	1700	Locking Mini DIN-6	BL12804-1	52.00	8' Coiled Hirose							
				BL13298-1	70.00	8' Coiled Over Molded Auto Power (RTS)	52572	101.00	8' Coiled			
	2020	DB-9M	BL11757-000	41.00	6' Straight Auto Power (DTR)	562014	36.00	6' Straight	BL17205-1	39.31	6' Straight Auto Power (DTR)	
	242X	DB-9M	BL11757-000	41.00	6' Straight Auto Power (DTR)	562014	36.00	6' Straight	BL17205-1	39.31	6' Straight Auto Power (DTR)	
	243x	DB-9M with Serial Connector Module	BL11757-000	41.00	6' Straight NO Auto Power	562014	36.00	6' Straight	BL17205-1	39.31	6' Straight Auto Power (DTR)	
		Mini DIN-6	BL11537-1	52.00	8' Coiled Over Molded Mini Din	N/A						
			BL11537-2	62.00	12' Coiled Over Molded Mini Din							
	2455, 2475	MOD-10	BL16816-1	78.62	8' Coiled Right Angle Auto Power (DTR)	N/A						
	246X	DB-9M	BL11757-000	41.00	6' Straight	562014	36.00	6' Straight	BL17205-1	39.31	6' Straight Auto Power (DTR)	
	248X	DB-9M (COM1)	BL11757-000	41.00	6' Straight	562014	36.00	6' Straight	BL17205-1	39.31	6' Straight Auto Power (DTR)	
	502X	Intermec L5020 Adapter (DB-9)	BL11757-000	41.00	6' Straight	562014	36.00	6' Straight	BL17205-1	39.31	6' Straight Auto Power (DTR)	
	5055	DB-9M	BL11757-000	41.00	6' Straight Auto Power (DTR)	562014	36.00	6' Straight	BL17205-1	39.31	6' Straight Auto Power (DTR)	
5900	DB-15M	BL12803-1	52.00	8' Coiled	N/A							
6400	DB-9M	BL11757-000	41.00	6' Straight Auto Power (DTR)	562014	36.00	6' Straight	BL17205-1	39.31	6' Straight Auto Power (DTR)		
6110	DB-9M Using the Serial Pod	BL11757-000	41.00	6' Straight	562014	36.00	6' Straight	BL17205-1	39.31	6' Straight Auto Power (DTR)		
6640, 665X	DB-9M	BL11757-000	41.00	6' Straight	562014	36.00	6' Straight	BL17205-1	39.31	6' Straight Auto Power (DTR)		
LXE	MX1, MX3	DB-9M	BL11757-000	41.00	6' Straight Auto Power (DTR)	562014	36.00	6' Straight	BL17205-1	39.31	6' Straight Auto Power (DTR)	
	VX1, VX2, VX4	DB-9M	BL11757-000	41.00	6' Straight Auto Power (DTR)	562014	36.00	6' Straight	BL17205-1	39.31	6' Straight Auto Power (DTR)	
	1380, 1390, 1590	DB-9M	BL11757-000	41.00	6' Straight Auto Power (DTR)	562014	36.00	6' Straight	BL17205-1	39.31	6' Straight Auto Power (DTR)	
	1280, 2280	Lemo 5P	Drawing Available		N/A	52568	95.00	6' Straight				
	2325	MOD-10	BL12093-1	35.00	8' Coiled Auto Power (+5v)	52713	50.00	8' Coiled				
PC	All	DB-9M	BL11757-000	41.00	6' Straight Auto Power (DTR)	562014	36.00	6' Straight	BL17205-1	39.31	6' Straight Auto Power (DTR)	
			BL16555-1	41.00	6' Straight Right Angle Auto Power (DTR)							
						52735	36.00	8' coiled				
			Mod plug to 9-pin USB-A							BL17205-1	39.31	RJ-45
					N/A			AT17010-1	22.60	USB		
Falcon 310, 315, 320, 325	MOD-10	BL12093-1	37.00	8' Coiled Auto Power (+5v)	52713	50.00	8' Coiled					
		CL16894-1	62.00	8' Coiled Right Angle Auto Power (+5v)				AK17594-813	38.33	8' Coiled AP (+5V)		

Specifications and Prices subject to change without notice
Minimum order value €25

Zebra Technologies Europe Ltd
Zebra Brand Mobile EUR Printer Price List

Mobile Printer Cable Pricing											
	Model	Connector Type	Encore Cameo QL part #	Encore Cameo QL List Price €	Cable Type	PA/PT part #	PA/PT List Price €	Cable Type	RW part #	RW Part Price €	Cable Type
PSC	Falcon 330, 335, 340, 345	MOD-8 with PSC IR to RS-232 adaptor	BL11122-1	35.37	8' Coiled Auto Power (+5v)						
	PT2000, TopGun	DB-15F	BL13285-1	62.00	8' Coiled	52686	95.00	8' Coiled			
	Falcon 510, 515, 625, 665	DB-9M	BL11757-000	41.00	6' Straight Auto Power (DTR)	562014	36.00	6' Straight	BL17205-1	39.3	8' Straight Auto Power (DTR)

**Zebra Technologies Europe Ltd
Zebra Brand Mobile EUR Printer Price List**

Mobile Printer Cable Pricing											
	Model	Connector Type	Encore Cameo QL part #	Encore Cameo QL List Price €	Cable Type	PA/PT part #	PA/PT List Price €	Cable Type	RW part #	RW Part Price €	Cable Type
Symbol/Telxon	FMT 1000, 3000	DB-9M	BL11757-000	41.00	6' Straight Auto Power (DTR)	562014	36.00	6' Straight	BL17205-1	39.31	6' Straight Auto Power (DTR)
	MC50	Micro DB-15 using ADP5000-00 Pod	BL17168-1	38.33	8' Straight Auto Power (DTR)	52730	34.40	8' Coiled	AK17594-341	39.33	8' Coiled AP (DTR)
	MC1000	Clip-On	AK17591-347	83.53	8' coiled AP (DTR)				AK17594-347	83.53	8' coiled AP (DTR)
	MC3000	Clip-On	AK17591-345	83.53	8' coiled AP (DTR)				AK17594-345	83.53	8' coiled AP (DTR)
	MC9000-G	Micro DB-15 using ADP9000-100 Pod	CL17305-1	38.33	8' Straight Auto Power (DTR)	52732	34.40	8' Coiled	AK17594-343	38.33	8' Coiled AP (DTR)
	MK1100, MK2000	MOD 10	CL16894-5	38.33	8' Straight Auto Power (DTR)				AK17594-337	38.33	8' Coiled AP (DTR)
	PDT 3100, 3200, 3500, 6100	MOD-10	BL12093-1	37.00	8' Coiled Auto Power (+5v)	52502	50.00	8' Coiled			
		MOD-10	BL12093-2	37.00	8' Coiled Auto Power (DTR)						
		MOD-10	CL16894-1	37.00	8' Coiled Right Angle Auto Power (+5v)				AK17594-813	38.33	8' Coiled Right Angle Auto Power (+5v)
		MOD-10	CL16894-2	37.00	8' Coiled Right Angle Auto Power (DTR)				AK17594-335	38.33	8' Coiled Auto Power (DTR)
	PDT 3300	DB-25F	BL11391-000	37.00	8' Coiled Auto Power (DTR)	N/A					
		MOD-10	BL12093-1	37.00	8' Coiled Auto Power (+5v)	52502	50.00	8' Coiled			
	PDT 3800, 6800	PIM-LPT PIM-COM	CC11371-3	105.00	6' Coiled	52532	120.00	8' Coiled			
			CC11371-14	105.00	6' Coiled	52704	116.95	8' Coiled			
			CC11371-15	105.00	6' Coiled Auto Power (DTR)						
			CC11371-24	105.00	6' Coiled						
	CC11371-25	105.00	6' right angle coiled (no RTS/CTS) Auto Power (DTR)								
	PDT 8000	Clip-On	CL17055-1	122.85	8' Coiled Right Angle Auto Power (DTR)				AK17594-339	122.85	6' coiled
	PDT 8100	Clip-On	BL16561-1	101.00	8' Coiled Auto Power (DTR)	52712	95.00	8' Coiled(No DTR/DSR control)			
	PPT 2700, 2800	Cradle	BL15482-1	85.00	9' Coiled Auto Power (DTR)						
	PDT 8800	Micro DB-15 using UCC8800-00 Pod	BL17168-1	38.33	8' Coiled Auto Power (DTR)				AK17594-341	39.33	8' Coiled AP (DTR)
	PTC 510, 610, 710, 860, 912	DB-25F	CL11314-000	52.00	8' Coiled Auto Power (DTR)	52545	50.00	8' Coiled			
	PTC 960X	MOD-8	BL11122-1	37.00	8' Coiled Auto Power (DTR)	N/A					
	PTC 960L, 960SL, 960RL, 960M, 1134, 2134, 2234	Micro DB-15	CC13711-1 CP74005	41.00 77.00	Adapter for BL11122-1 CC13711-1 & BL11122-1 (Kd)	562015	50.00	8' Coiled			
	PTC 1124, 2124	DB-9M Using Serial Pod	BL11757-000	41.00	6' Straight	562014	36.00	6' Straight	BL17205-1	39.31	6' Straight Auto Power (DTR)
	PTC 1194	DB-9M	BL11757-000	41.00	6' Straight Auto Power (DTR)	562014	36.00	6' Straight	BL17205-1	39.31	6' Straight Auto Power (DTR)
	SPT 1500	Hotsync-10	N/A			52686	95.00	8' Coiled			
	SPT 1700/ SPT 1800	Clip-On	BL15483-1	85.00	9' Coiled Pin 1(5v)	52712	95.00	DTR/DSR control)			
			BL15483-3	91.00		N/A					
	VRC 3900	DB-25F	CL11314-000	52.00	8' Coiled Auto Power (DTR)	52545	50.00	8' Coiled			
VRC 4000	DB-9M	BL11757-000	41.00	6' Straight Auto Power (DTR)	562014	36.00	6' Straight	BL17205-1	39.31	6' Straight Auto Power (DTR)	
VRC 5000	DB-9M	BL11757-000	41.00	6' Straight Auto Power (DTR)	562014	36.00	6' Straight	BL17205-1	39.31	6' Straight Auto Power (DTR)	
VRC 7900, 8900	Amphenol-7	CL16840-1	93.36	No Auto Power (DTR)	N/A						
VRC 6900	Fischer-16	BL16014-1	203.00		52705	203.00	10' Straight				

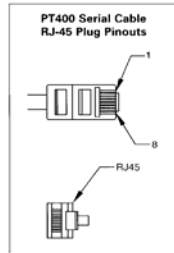
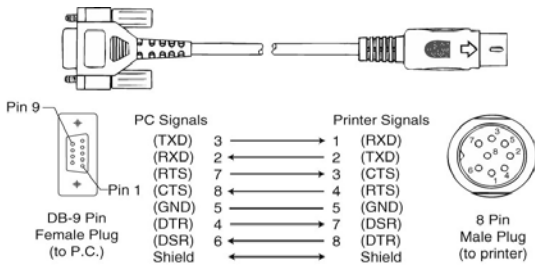
Specifications and Prices subject to change without notice
Minimum order value €25

Zebra Technologies Europe Ltd
Zebra Brand Mobile EUR Printer Price List

Mobile Printer Cable Pricing											
	Model	Connector Type	Encore Cameo QL part #	Encore Cameo QL List Price €	Cable Type	PA/PT part #	PA/PT List Price €	Cable Type	RW part #	RW Part Price €	Cable Type
Telogix	7025	DB-15M	BL13285-1	62.00	8' Coiled	N/A					
	7030, 8055, 8060	Honda-36M	BL-13285-2	62.00	8' Coiled Auto Power (7.5v)	N/A					
	7035	Honda-28M	BL16469-1	126.00	8' (7.5v)	52690	101.00	8' coiled			
	8255	Honda-28M	BL16469-1	126.00	8' (12.0v)	52690	101.00	8' coiled			
	8255, 8260	Honda-28M	BL16469-1	126.00	8' Coiled Auto Power (12.0v)	52690	101.00	8' coiled			
8510, 8560, 8570	DB-9M	BL11757-000	41.00	6' Straight Auto Power (DTR)	562014	36.00	6' Straight				
Unitech	PT-500	DB-9M	BL11757-000	41.00	6' Straight Auto Power (DTR)	562014	36.00	6' Straight	BL17205-1	39.3	8' Straight Auto Power (DTR)
	PT-700	DB-9M	BL11757-000	41.00	6' Straight Auto Power (DTR)	562014	36.00	6' Straight	BL17205-1	39.3	8' Straight Auto Power (DTR)
	PT-805	DB-9M	BL11757-000	41.00	6' Straight Auto Power (DTR)	562014	36.00	6' Straight	BL17205-1	39.3	8' Straight Auto Power (DTR)
	PT-815	DB-9M	BL11757-000	41.00	6' Straight Auto Power (DTR)	562014	36.00	6' Straight	BL17205-1	39.3	8' Straight Auto Power (DTR)
Other	Unterminated		BL16830-1	24.57	6' Straight Right Angle	N/A			AK17594-812	24.57	6' Straight Locking
			BL16302-000	24.57	6' Straight	562013		6' Straight	AK17594-817	24.57	8' Coiled locking
			BL16900-1	29.48	6' Coiled Right Angle	N/A					
	1/4" Phone Jack/Dex	BL16713-1	35.38	1' Straight Right Angle	N/A				AK17594-810	35.38	1' Straight Locking AP DTR
	RJ11					52674	70.00	8' coiled			
	DB-9M with Null Modem	N/A				562006	31.00	6' Straight			
			N/A			562011	34.00	6' Straight Shielded			

Notes:
 MOD-10 = Modular Plug with 10 Positions. Sometimes referred to as RJ41 or RJ45.
 MOD-8 = Modular Plug with 8 Positions. Sometimes referred to as RJ45.
 (DTR), (RTS), (+5v) and (7.5v) refer to signals received from a mobile computer

Pin #	Function
1	No connect
2	RD
3	TD
4	DTR
5	GND
6	DSR
7	RTS (tied to +5)
8	No connect



Zebra Technologies Europe Ltd
Zebra Price List
Effective 20th March

ZebraCare™

ZebraCare Contract Repair is a standard warranty upgrade for new printers or printers less than a year old.

ZebraCare Contract Repair			Contract Price
Part Number	Printers	Period	€
ZA0-PERO-100	XIIIPlus & PAX4 & RFID	1YR	150.00 €
ZA0-PERO-200	XIIIPlus & PAX4 & RFID	2YR	300.00 €
ZA0-PERO-300	XIIIPlus & PAX4 & RFID	3YR	450.00 €
ZA0-PERO-400	XIIIPlus & PAX4 & RFID	4YR	600.00 €
ZA0-MIDO-100	Z'Series, 105SL, S4M, 2746E, S600	1YR	75.00 €
ZA0-MIDO-200	Z'Series, 105SL, S4M, 2746E, S600	2YR	150.00 €
ZA0-MIDO-300	Z'Series, 105SL, S4M, 2746E, S600	3YR	225.00 €
ZA0-MIDO-400	Z'Series, 105SL, S4M, 2746E, S600	4YR	300.00 €
ZA0-DSKO-100	28'Series & 38'Series	1YR	40.00 €
ZA0-DSKO-200	28'Series & 38'Series	2YR	80.00 €
ZA0-DSKO-300	28'Series & 38'Series	3YR	120.00 €
ZA0-DSKO-400	28'Series & 38'Series	4YR	160.00 €
ZA0-MOBO-100	QL'Series, RW'Series & Cameo Series	1YR	50.00 €
ZA0-MOBO-200	QL'Series, RW'Series & Cameo Series	2YR	100.00 €
ZA0-MOBO-300	QL'Series, RW'Series & Cameo Series	3YR	150.00 €
ZA0-MOBO-400	QL'Series, RW'Series & Cameo Series	4YR	200.00 €

Note: For full details of the terms & conditions please refer to our latest ZebraCare® Agreement

ZebraCare Fixed Price Repair is a flat rate repair service for older printers out of warranty or contract.

ZebraCare Fixed Price Repair		
Part Number	Printers	Price
ZFPR-PER	XIIIPlus & PAX4 & RFID	650.00 €
ZFPR-MID	Z'Series, 105SL, S4M, 2746E, S600	400.00 €
ZFPR-DSK	28'Series & 38'Series	175.00 €
ZFPR-MOB	QL'Series, RW'Series & Cameo Series	200.00 €

For repairs including print head, the standard buy price of a print head will be charged

To obtain a FPR please contact: UKRMA@Zebra.com
Or fax: +44(0)1772 693046
Where you will be given a RMA number to return the item for repair



RW420

Part Number	Description	QTY	List Price (Euro)
RK17393-001	MEDIA COVER KIT, RW 420		€ 93.36
CC17409-1	Assy Media Cover Spares RW420	1	
BA17078-1	PIN HINGE	1	
BA17073-1	SPRING RW 420 DOUBLE TORSION	1	
RK17393-002	PLATEN/GEAR KIT, LINERED QL420/RW 420		€ 58.97
AC16703-1	ASSY GEAR AND PLATEN, LINERED	3	
RK17393-003	MEDIA GUIDE KIT, RW 420		€ 44.22
CC17410-1	ASSY, MEDIA GUIDE, SPARES RW420	1	
BA17066-1	GEAR 48P 14 T	2	
BA17330-1	GEAR 35P 1T (CENTER RACK GEAR)	1	
TH-SJ0803N	SCREW, #4-40 X 14 PAN HD PHILLP NYLON	4	
RK17393-004	MEDIA DISK KIT RW SERIES		€ 17.69
BA16937-1	DISK PICK UP MEDIA SUPPORT	6	
TH-PTA023006-1	SCR SELF TAP PT M3X6 PAN HD PHIL	6	
TH-WG0419	WSHR FLAT 4 REDUCED OD	6	
RK17393-005	PRINTHEAD KIT, RW 420		€ 142.50
CC17411-1	ASSY PRINTHEAD RW420 SPARES	1	
BA17087-1	SPRING PRINTHEAD	2	
RK17393-006	MOTOR KIT, RW 420		€ 58.97
BT16073-1	MOTOR 35MM STEP BI-POLAR	2	
TH-SJ0803N	SCREW, #4-40 X 14 PAN HD PHILLP NYLON	2	
RK17393-007	PRINTER FRAME KIT, RW 420		€ 39.31
CC17412-1	ASSY PRINTER FRAME RW 420 SPARES	1	
CA17069-1	BAR SPRING RW 420	1	
TH-SJ0803N	SCR 4-40 X 1/4 PAN HD PHLLP NYLON	2	
RK17393-008	KEYPAD/HSG and LCD (NON CARD) KIT, RW 420		€ 78.62
CC17173-1	ASSY KEYPAD/HSG (NON CARD) RW 420	1	
AA17148-1	LBL PRODUCT I.D. RW 420	1	
RK18280-1	KEYPAD/HSG and LCD (CARD) KIT, RW 420		€ 78.62
CC17173-3	ASSY SPARES KEYPAD/HSG (CARD) RW 420	1	
AA17148-1	LBL PRODUCT I.D. RW 420	1	
RK18241-1	CARD READER KIT, RW 420		€ 245.69
CC17178-3	ASSY CARD READER RW 420 SPARES	1	
TH-PTA023010-1	SCR SELF TAP PT M3X10 PAN HD PHIL	2	
RK17393-012	DOCKING PLUG KIT, RW 420		€ 14.74
BA17082-1	PLUG DOCKING CONTACTS RW 420	2	
TH-PTA023010-1	SCR SELF TAP PT M3X10 PAN HD PHIL	4	
RK17393-020	CONTROLLER 4M KIT, RW420		€ 560.17
CQ16910-4	PC ASSY RW CONTROLLER 4M	1	
TH-PTA023010-1	SCR SELF TAP PT M3X10 PAN HD PHIL	2	
RK17393-022	BELT CLIP KIT, RW420		€ 34.40
CA17075-1	BELT CLIP	5	
RK17393-023	CORNER ATTACHMENT KIT, RW420		€ 24.57
TH-SJ0811N	SCREW 4-40 X 1 PAN HD PHLLP NYLON	15	
BA16046-1	CLIP D RING	15	
RK17393-024	CONNECTOR DOOR KIT, RW420		€ 43.24
BA17089-1	DOOR RUBBER RW 420	15	

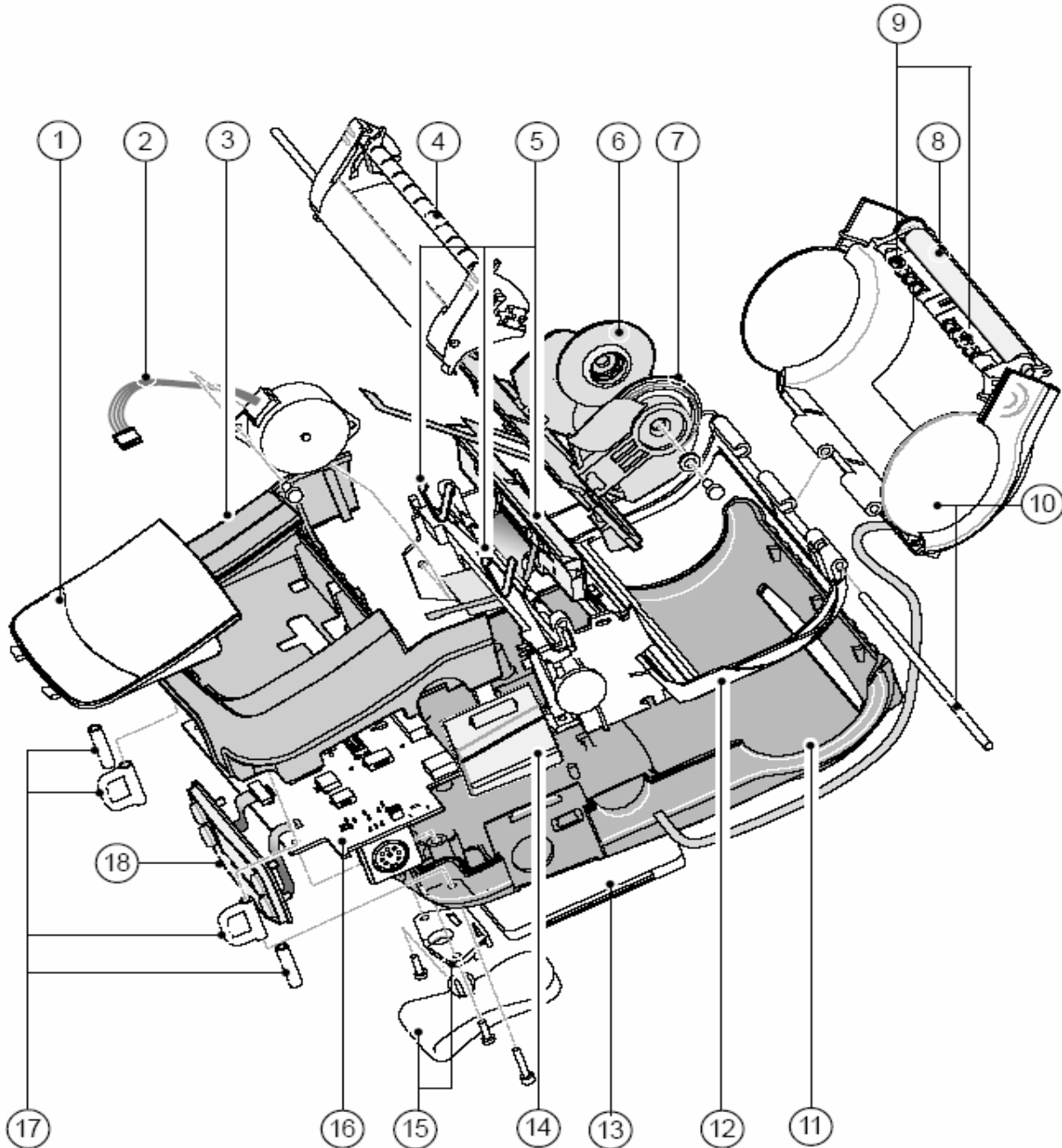
Zebra Technologies Europe Ltd
Zebra Brand Mobile EUR Printer Price List



RW220

Part Number	Description	QTY	List Price (EUR)
RK17949-001	MEDIA COVER KIT, RW 220		€ 101.00
CC17498-1	Assy Media Cover Spares RW220	1	
BA16639-1	Pin 2" Hinge	1	
BA17571-1	Spring Torsion Hinge RW220	1	
RK17949-002	PLATEN/GEAR KIT, LINERED RW 220		€ 64.00
AN17949-002	ASSY GEAR AND PLATEN, LINERED	3	
RK17949-003	MEDIA GUIDE KIT, RW 220		€ 48.00
CC17499-1	ASSY, MEDIA GUIDE, SPARES RW220	1	
TH-SJ0803N	SCR 4-40X1/4 PAN HD PHLLP NYL	4	
RK17949-005	PRINTHEAD KIT, RW 220		€ 155.00
AC18082-1	ASSY SPARES PRINTHEAD RW 220	1	
BA17932-1	SPG COMPRESSION PRINTHEAD RW	2	
RK17949-006	MOTOR KIT, RW 220		€ 64.00
BT16601-2	MOTOR SPEC BI-POLAR	2	
TH-PTA023008-5	SCR SELFTAP PT M3X08-5 PANHD	2	
RK17949-007	PRINTER FRAME KIT, RW 220		€ 43.00
CC18083-1	ASSY SPARES RW220 PTR FRAME	1	
CA17482-1	BAR SPRING RW 220	1	
TH-SJ0803N	BAR SPRING RW 220	4	
RK17949-008	KEYPAD/HSG and LCD (NON CARD) KIT, RW 220		€ 86.00
CC17505-1	ASSY KEYPAD/HSG (NON CARD) RW	1	
CA17491-1	BRACKET RADIOS RW 220 NON CAR	1	
TH-PTA023008-5	SCR SELFTAP PT M3X08-5 PANHD	2	
RK17949-009	KEYPAD/HSG and LCD (CARD) KIT, RW 420		€ 86.00
CC17505-3	ASSY KEYPAD/HSG(CARD)RW220	1	
CA17492-1	BRACKET RADIOS RW 220 CARD	1	
TH-PTA023008-5	SCR SELFTAP PT M3X08-5 PANHD	2	
RK17949-010	CARD READER KIT, RW 220		€ 267.00
CC18142-1	ASSY CARD READER RW220 SPARE	1	
TH-PTA023008-5	SCR SELFTAP PT M3X08-5 PANHD	2	
RK17949-014	CONTROLLER 4M KIT, RW220		€ 610.00
CQ17279-G4	PCBA RW 220 CNTRLR 4MB FLASH	1	
TH-PTA023008-5	SCR SELFTAP PT M3X08-5 PANHD	2	
BA17464-1	SUPPORT BD-TO-BD CONNECTOR	1	
RK17393-022	BELT CLIP KIT, RW420		€ 34.40
CA17075-1	BELT CLIP	5	
RK17393-023	CORNER ATTACHMENT KIT, RW420		€ 24.57
TH-SJ0811N	SCREW 4-40 X 1 PAN HD PHLLP NYLON	15	
BA16046-1	CLIP D RING	15	
RK17393-024	CONNECTOR DOOR KIT, RW420		€ 43.24
BA17089-1	DOOR RUBBER RW 420	15	

QL420 REPLACEMENT KITS - UNIT EXPLODED VIEW



Zebra Technologies Europe Ltd
Zebra Brand Mobile EUR Printer Price List



QL420

Item	Part Number	Description	QTY	List Price (EUR)
1	RK18229-1	BLUETOOTH MODULE KIT - QL H8		€ 255.52
	CC16225-E1M	ASSY MODULE BLUETOOTH RADIO	1	
	RK18230-1	COMPACT FLASH RADIO MODULE 802.11B KIT - QL H8		€ 490.40
	CC16232-E1M	ASSY MOD CF 802.11B ENDCAP ANTENNA	1	
	TH-SJ0805	SCREW 4-40 X 3/8 PAN HEAD PHILLIP	2	
	AA16711-3	PRODUCT I.D. LABEL	1	
	AN16753-008	WIRELESS HOUSING MODULE KIT		€ 34.40
	DA15927-1	HOUSING WIRELESS MODULE	5	
	TH-SJ0805	SCREW 4-40 X 3/8 PAN HEAD PHILLIP	5	
	AA16434-1	PRODUCT LABEL I.D.	5	
	RK17735-005	Bluetooth Module Kit - QL SH3 (Plus)		€ 266.00
	RK17735-006	Symbol CF 802.11b Module Kit - QL SH3 (Plus)		€ 512.00
	RK17735-008	Zebra 802.11b Module Kit - QL SH3 (Plus)		€ 452.00
2	RK18251-1	BI-POLAR MOTOR KIT		€ 65.84
	BT16073-1	STEPPER BI-POLAR MOTOR	2	
	TH-SL0803N	SCREW 4-40 X 1/4 SKT HEAD CAP NYLON	2	
3	AN16753-007	UPPER HOUSING W/BOARD COVER KIT		€ 93.36
	DA16394-1	UPPPER HOUSING	2	
	CA16406-1	COVER PC BOARD	2	
4	AN16753-011	LATCH ASSY KIT		€ 73.71
	DC16446-1	LATCH ASSY	5	
	BA16272-1	SPRING LATCH	5	
	BA16361-1	4" LATCH SHAFT	5	
5	AN16753-024	PEELER SHAFT/ROLLER KIT		€ 54.05
	BA16363-1	PEELER SHAFT	5	
	BA15920-1	PEELER ROLLER	15	
	CA16366-1	PEELER BAIL	5	
6	RK18252-1	PRINthead ASSY KIT		€ 133.66
	DC16447-1M	PRINthead ASSY	1	
	BL16459-1	CABLE FLAT FLEX	1	
	TH-SJ0302	SCREW 2-56 X 1/8	2	
	BA16357-2	CLAMP EYE SENSOR	1	
	BA16689-1	SPRING	2	
	CT16058-1	CABLE FLEX LABEL SENSOR	1	
7	AN16753-001	MEDIA ASSY KIT		€ 93.36
	BA16937-1	DISK MEDIA SUPPORT (also available in bulk quantities of 20, #AN16861-031)	5	
	TH-PTA023006-1	SCREW SELF TAP PT M3X6 PAN HD PHIL (also available in bulk quantities of 20, #AN16861-033)	10	
	TH-WG0419	WASHER FLAT 4 REDUCED (also available in bulk quantities of 100, #AN16861-032)	10	
	DA16399-1	MEDIA GUIDE PLATE	5	
	CA15905-2	MEDIA SUPPORT	5	
	TH-SL0807N	HEAD SOCKET SCREW 4-40 X 1/2 (also available in bulk quantities of 100, #AN17006-037)	10	
	CA16398-1	MEDIA GUIDE RACK	5	
	BA16670-1	SPRING RACK	10	
	BA15903-1	GEAR 32P, 14T	10	
		AN16753-002	MEDIA/DISK SUPPORT KIT	

Zebra Technologies Europe Ltd
Zebra Brand Mobile EUR Printer Price List



QL420

Item	Part Number	Description	QTY	List Price (EUR)
	BA16937-1	DISK Pick Up MEDIA SUPPORT (also available in bulk quantities of 20, #AN16861-031)	10	
	TH-PTA023006-1	SCREW SELF TAP PT M3X6 PAN HD PHIL (also available in bulk quantities of 20, #AN16861-033)	10	
	TH-WG0419	WASHER FLAT 4 REDUCED (also available in bulk quantities of 100, #AN16861-032)	10	
	AN16753-026	MEDIA DISK SUPPORT LINERLESS KIT		€ 49.14
	BA16695-1	MEDIA DISK SUPPORT, LINERLESS	5	
	TH-WG0419	WASHER FLAT 4 REDUCED (also available in bulk quantities of 100, #AN16861-032)	10	
	TH-PTA023006-1	SCREW SELF TAP PT M3X6 PAN HD PHIL (also available in bulk quantities of 20, #AN16861-033)	10	
8	AN16753-021	PLATEN/GEAR AND PEELER BAR KIT, LINERED		€ 61.00
	AC16703-1	ASSY GEAR AND PLATEN, LINERED	3	
	BA16362-1	PEELER BAR	3	
	AN16753-022	PLATEN/GEAR KIT, LINERLESS		€ 122.00
	AC16703-2	ASSY GEAR AND PLATEN, LINERLESS	3	
	CA16698-1	SCRAPER	3	
10	AN16753-003	MEDIA GUIDE ROLLER KIT, LINERED		€ 70.76
	BA16351-1	MEDIA GUIDE ROLLER	4	
	BA16441-1	MEDIA ROLLER CAP	4	
	TH-SL0803N	SCREW SOCKET HEAD 4-40 X 1/4	4	
	AN16753-004	MEDIA GUIDE ROLLER KIT, LINERLESS		€ 110.07
	BA16455-1	MEDIA GUIDE ROLLER	4	
	BA16441-1	MEDIA ROLLER CAP	4	
	TH-SL0803N	SCREW SOCKET HEAD 4-40 X 1/4	4	
11	RK18231-1	MEDIA COVER ASSY KIT		€ 132.67
	DA16395-1	MEDIA COVER	2	
	BC16438-2	ASSY INNER COVER AND WINDOW MEDIA	2	
	CT16430-1	BLACK BAR SENSOR CABLE	2	
	BA16441-1	MEDIA ROLLER CAP	4	
	TH-SL0803N	SCREW SOCKET HEAD 4-40 X 1/4	4	
	BA16364-1	HINGE PIN	2	
12	AN16753-012	PRINTER FRAME KIT		€ 147.41
	BA16055-1	RETAINER GEAR	5	
	BA13364-2	COMPOUND GEAR 64P 44T-24T	5	
	BA13363-2	COMPOUND GEAR 64P 38T-25T	5	
	BA16020-1	GEAR 64P 44T	5	
	CA16402-1	LOCK RACK	5	
	DA16397-1	PRINTER FRAME	5	
	BA16670-1	SPRING	5	
	CA16401-1	LATCH LOCK	5	
	TSPBR0016	SPRING (also available in bulk quantities of 10, #AN17006-044)	5	
	TH-SL0803N	SCREW 4-40 X 1/4 SKT HEAD CAP NYLON	5	
13	AT16293-1	BATTERY PACK		€ 102.00
14	AN16753-020	DOOR CONNECTOR KIT		€ 29.48
	CA16404-1	DOOR CONNECTOR RUBBER	15	
15	AN16753-009	BELT CLIP AND SHOULDER STRAP KIT		€ 93.36
	TH-PTA023010-1	SCREW SELF TAP PT M3X10 PAN HEAD PHIL (also available in bulk quantities of 20, #AN16793-030)	20	
	BA16371-1	BELT CLIP RETAINER KICKSTAND	10	

Zebra Technologies Europe Ltd
Zebra Brand Mobile EUR Printer Price List



QL420

Item	Part Number	Description	QTY	List Price (EUR)
	CA15926-1	BELT CLIP (also available in bulk quantities of 20. #AN16861-005)	10	
	AN16793-030	SELF TAP SCREW, QTY OF 20		€ 19.66
	TH-PTA023010-1	SCREW SELF TAP PT M3X10 PAN HEAD PHIL	20	
	AN16861-005	BELT CLIP, QTY OF 20		€ 39.31
	CA15926-1	BELT CLIP	20	
	AN16861-006	HAND STRAP, QTY OF 25		€ 73.71
	BT16899-1	HAND STRAP	25	
16	AN16753-016	CPU W/1MG RAM AND 1MG FLASH KIT		€ 490.40
	CQ16255-1	PC ASSY CPU 1MG RAM AND 1MG FLASH	1	
	TH-SL0803N	SCREW	2	
	TH-YJ0401	NYLON WASHER (also available in bulk quantities of 100, #AN16861-004)	1	
	RK18228-1	CPU W/2MG RAM AND 2MG FLASH KIT		€ 588.67
	CQ16987-G4	PC ASSY CPU 2MG RAM AND 2MG FLASH	1	
	TH-SL0803N	SCREW	2	
	TH-YJ0401	NYLON WASHER (also available in bulk quantities of 100, #AN16861-004)	1	
17	AN16753-010	CORNER ATTACHMENT KIT		€ 29.48
	TH-SL0811N	SCREW 4-40 X 1 SOCKET HEAD CAP NYLON	15	
	TH-SL0813N	SCREW 4-40 X 1 1/4 SOCKET HEAD CAP NYLON	15	
	BA16045-1	SLEEVE	15	
	BA16046-1	CLIP D RING	15	
18	RK18235-1	KEYPAD DISPLAY KIT		€ 167.07
	AC16502-E1M	KEYPAD DISPLAY ASSY	2	
	TH-YJ0401	NYLON WASHER (also available in bulk quantities of 100, #AN16861-004)	2	
	TH-SL0803N	HEAD SOCKET CAP SCREW 4-40 X 1/4 (also available in bulk quantities of 20, #AN17006-038)	2	
	AN16861-021	KEYPAD MEMBRANE KIT		€ 97.29
	AC18250-1	KEYPAD MEMBRANE ASSY	3	
	TH-YJ0401	NYLON WASHER (also available in bulk quantities of 100, #AN16861-004)	3	
	TH-SL0803N	HEAD SOCKET CAP SCREW 4-40 X 1/4 (also available in bulk quantities of 20, #AN17006-038)	2	
19	AN16652-1	Cisco PCMCIA 802.11B		€ 441.26
	CQ16765-1	ASSY QL SERIES PCMCIA ADAPTER	1	
	AT16333-1	RADIO PCMCIA 2.4 GHZ DS LEAP	1	
	CQ16343-1	PC ASSY 2.4 GHZ WLAN ANTENNA	1	
	DA16059-1	HOUSING WIRELESS MODULE	1	
	CA16107-2	PCMCIA BRACKET	1	
	TH-BRACP00156	STANDOFF THRU 1/4 X .156 RND	2	
	TH-SL0807N	SCREW 4-40 X 1/2 SKT HD CAP NYLON (also available in bulk quantities of 100, #AN17006-037)	2	
	TH-WC0407	WASHER INTL TOOTH 4	2	
	AN16753-013	LOWER HOUSING KIT, STANDARD		€ 35.38
	DA16393-1	LOWER HOUSING	2	
	AN16753-029	SWATCH KIT		€ 9.83
	AA15417-1	GRAY TEST SHEET	5	
	AA15417-2	WHITE TEST SHEET	5	
	AN16861-004	NYLON WASHER, QTY OF 100		€ 24.57
	TH-YJ0401	NYLON WASHER	100	

Zebra Technologies Europe Ltd
Zebra Brand Mobile EUR Printer Price List

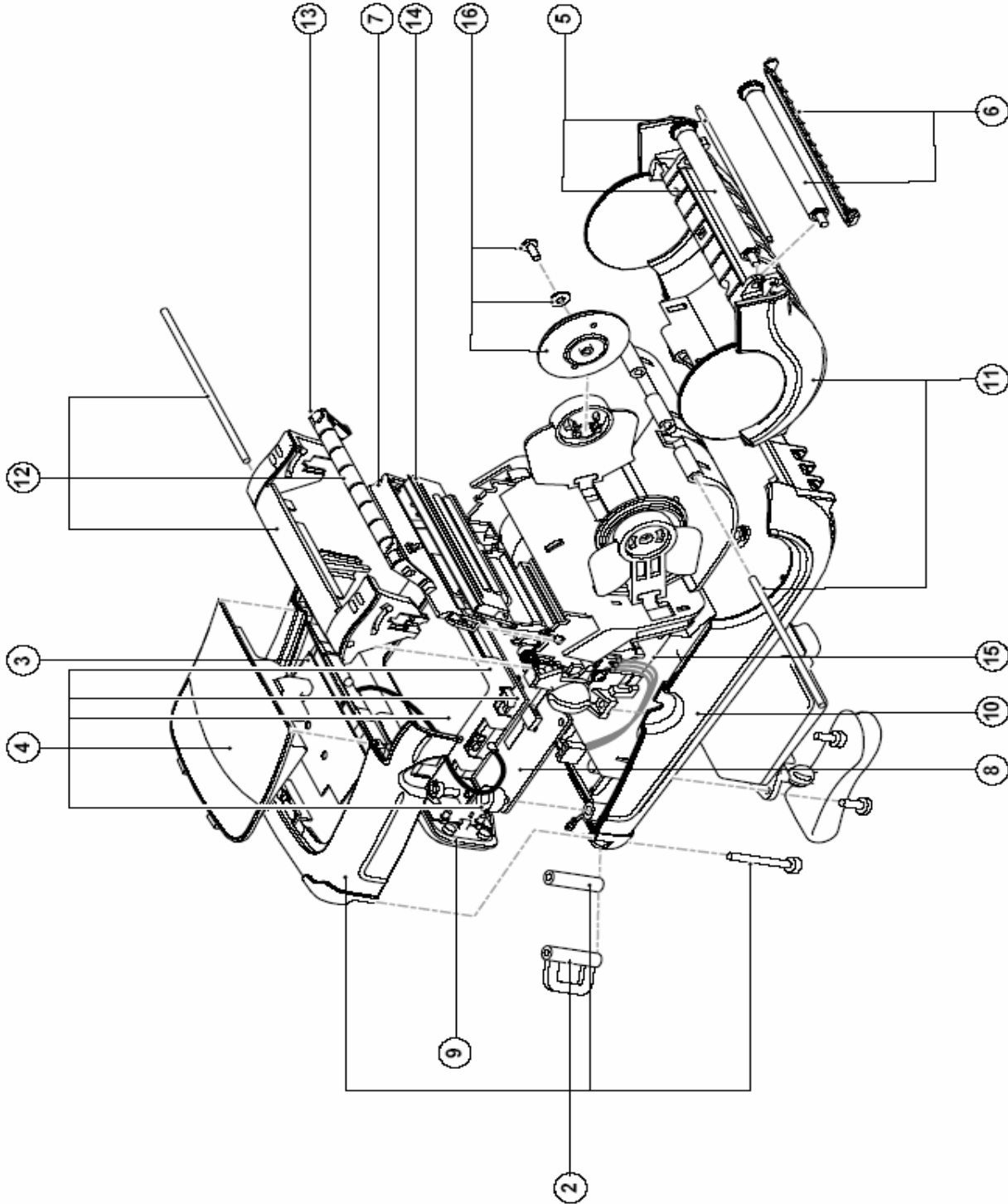


QL420

Item	Part Number	Description	QTY	List Price (EUR)
	AN16861-031	MEDIA DISK SUPPORT, QTY OF 20		€ 19.66
	BA15952-2	MEDIA DISK SUPPORT	20	
	AN16861-032	FLAT WASHER, QTY OF 100		€ 24.57
	TH-WG0419	FLAT WASHER	100	
	AN16861-033	SELF TAP SCREW, QTY OF 20		€ 24.57
	TH-PTA023006-1	SELF TAP SCREW M3X6	20	
	AN17006-035	CARRYING STRAP, QTY OF 25		€ 294.83
	BT11132-1	CARRYING STRAP	25	
	AN17006-037	HEAD SOCKET SCREW, QTY OF 100		€ 24.57
	TH-SL0807N	SCREW SOCKET HEAD NYLOCK 4-40 X 1/2	100	
	AN17006-038	SOCKET SCREW, QTY OF 20		€ 19.66
	TH-SL0803N	SOCKET SCREW	20	
	AN17006-044	SPRING, QTY OF 10		€ 19.66
	TSPBR0016	SPRING	10	

*All bulk quantity part numbers and prices are located within each section.

QL320 REPLACEMENT KITS - UNIT EXPLODED VIEW



Zebra Technologies Europe Ltd
Zebra Brand Mobile EUR Printer Price List



QL320

Item	Part Number	Description	QTY	List Price (EUR)
1	AN16861-007	916MHZ RADIO KIT - QL H8		€ 542.48
	CC16227-1	916MHZ RADIO ASSY	2	
	AN16861-008	2.4GHZ RADIO KIT - QL H8		€ 573.93
	CC16226-1	2.4GHZ RADIO ASSY	2	
	AN16861-009	IRDA MODULE KIT - QL H8		€ 132.67
	CC16644-1	IRDA MODULE ASSY	1	
	RK18229-1	BLUETOOTH MODULE KIT - QL H8		€ 255.52
	CC16225-E1M	ASSY MODULE BLUETOOTH RADIO	1	
	TH-SJ0805	MOUNTING SCREW	1	
	RK18230-1	COMPACT FLASH RADIO MODULE 802.11B KIT - QL H8		€ 490.40
	CC16232-E1M	ASSY MOD CF 802.11B ENDCAP ANTENNA	1	
	TH-SJ0805	SCREW 4-40 X 3/8 PAN HEAD PHILLIP	2	
	RK17735-005	Bluetooth Module Kit - QL SH3 (Plus)		€ 266.00
	RK17735-006	Symbol CF 802.11b Module Kit - QL SH3 (Plus)		€ 512.00
RK17735-008	Zebra 802.11b Module Kit - QL SH3 (Plus)		€ 452.00	
2	RK18233-1	UPPER HOUSING KIT		€ 106.14
	TH-SJ0805	PHILLIPS HEAD SCREW	5	
	BA16045-1	SLEEVE	10	
	BA16046-1	D RING CLIP	10	
	TH-SL0811N	SOCKET HEAD CAP SCREW	10	
	DA16675-1	UPPER HOUSING	5	
	TH-BRACP00156	STANDOFF THRU 1/4 X .156 RND	10	
	CA16041-1	PC BOARD COVER	5	
3	AN16861-011	2.4GHZ WLAN ANTENNA KIT		€ 108.10
	CQ16343-1	2.4GHZ WLAN ANTENNA	2	
	TTRLA1204	RETAINING RING	4	
4	AN16861-012	PCMCIA ASSY KIT		€ 108.10
	CA16107-2	PCMCIA BRACKET	1	
	AT16333-1	RADIO PCMCIA 2.4GHZ DF LEAP	1	
	CQ16140-1	PCMCIA ASSY	1	
	TH-SL0807N	SOCKET HEAD CAP SCREW	2	
	AN16652-1	Cisco PCMCIA 802.11B		€ 441.26
	CQ16765-1	ASSY QL SERIES PCMCIA ADAPTER	1	
	AT16333-1	RADIO PCMCIA 2.4 GHZ DS LEAP	1	
	CQ16343-1	PC ASSY 2.4 GHZ WLAN ANTENNA	1	
	DA16059-1	HOUSING WIRELESS MODULE	1	
CA16107-2	PCMCIA BRACKET	1		
TH-BRACP00156	STANDOFF THRU 1/4 X .156 RND	2		
TH-SL0807N	SCREW 4-40 X 1/2 SKT HD CAP NYLON (also available in bulk quantities of 100, #AN17006-037)	2		
TH-WC0407	WASHER INTL TOOTH 4	2		
5	AN16861-013	PLATEN/GEAR ASSY KIT		€ 88.45
	BA15910-1	BAR PEELER	3	
	AC16706-1	GEAR AND PLATEN ASSY	3	
6	AN16861-014	PLATEN/GEAR ASSY KIT, LINERLESS		€ 147.41

Zebra Technologies Europe Ltd
Zebra Brand Mobile EUR Printer Price List



QL320

Item	Part Number	Description	QTY	List Price (EUR)
	CA16697-1	SCRAPER	3	
	AC16433-2	GEAR AND PLATEN ASSY, LINERLESS	3	
7	AN16861-015	LABEL PRESENCE SENSOR KIT		€ 73.71
	CA16009-1	SUPPORT SENSOR	5	
	AC16500-1	LABEL PRESENCE SENSOR	5	
8	AN16861-017	CPU W/2MG RAM AND 2MG FLASH (for units built prior to 1/20/03)		€ 490.40
	TH-SL0803N	HEAD SOCKET CAP SCREW 4-40 X 1/4 (also available in bulk quantities of 20, #AN17006-038)	4	
	TH-SL0802N	HEAD SOCKET CAP SCREW 4-40 X 3/16 (also available in bulk quantities of 100, #AN16972003)	1	
	CT16273-1	FLEX BLACK BAR CABLE	1	
	CQ15897-4	CPU 2M RAM 2M FLASH	1	
	AN16861-018	CPU W/1MG RAM AND 1MG FLASH (for units built after 1/20/03)		€ 588.67
	TH-SL0803N	HEAD SOCKET CAP SCREW 4-40 X 1/4 (also available in bulk quantities of 20, #AN17006-038)	4	
	TH-SL0802N	HEAD SOCKET CAP SCREW 4-40 X 3/16 (also available in bulk quantities of 100, #AN16972003)	1	
	CT16273-1	FLEX BLACK BAR CABLE	1	
	CQ16313-1	CPU 1M RAM 1M FLASH	1	
	RK18234-1	CPU W/2MG RAM AND 2MG FLASH (for units built after 1/20/03)		€ 588.67
	TH-SL0803N	HEAD SOCKET CAP SCREW 4-40 X 1/4 (also available in bulk quantities of 20, #AN17006-038)	4	
	TH-SL0802N	HEAD SOCKET CAP SCREW 4-40 X 3/16 (also available in bulk quantities of 100, #AN16972003)	1	
	CT16273-2	FLEX BLACK BAR CABLE	1	
	CQ16313-G4	CPU 2M RAM 2M FLASH	1	
9	RK18235-1	KEYPAD DISPLAY KIT		€ 167.07
	AC16502-E1M	KEYPAD DISPLAY ASSY	2	
	TH-YJ0401	NYLON WASHER (also available in bulk quantities of 100, #AN16861-004)	2	
	TH-SL0803N	HEAD SOCKET CAP SCREW 4-40 X 1/4 (also available in bulk quantities of 20, #AN17006-038)	2	
	AN16861-021	KEYPAD MEMBRANE KIT		€ 97.29
	AC18250-1	KEYPAD MEMBRANE ASSY	3	
	TH-YJ0401	NYLON WASHER (also available in bulk quantities of 100, #AN16861-004)	3	
	TH-SL0803N	HEAD SOCKET CAP SCREW 4-40 X 1/4 (also available in bulk quantities of 20, #AN17006-038)	2	
10	DA16674-1	LOWER HOUSING KIT		€ 23.59
	DA16674-1	LOWER HOUSING	2	
11	AN16861-024	MEDIA COVER KIT (for units built after 1/20/03)		€ 103.19
	CT16273-1	CABLE FLEX BLACK BAR SENSOR	2	
	BC16679-1	INNER COVER AND WINDOW MEDIA ASSY	2	
	DA16676-1	MEDIA COVER	2	
	TH-SL0803N	SCREW 4-40 X 1/4 SOCKET HEAD	2	
	BA16089-1	HINGE PIN	2	
12	AN16861-025	LATCH ASSY KIT		€ 73.71
	CA15916-1	LATCH	5	
	TSPC0007	COMPRESSION SPRING	5	
	BA16021-1	JOURNAL	5	
	AC16503-1	PEELER BAIL	5	

Zebra Technologies Europe Ltd
Zebra Brand Mobile EUR Printer Price List



QL320

Item	Part Number	Description	QTY	List Price (EUR)
13	AN16861-026	PEELER SHAFT/ROLLER KIT		€ 58.97
	BA15921-1	PEELER SHAFT	5	
	BA15920-1	PEELER ROLLER	10	
	CA15919-1	PEELER BAIL	5	

Zebra Technologies Europe Ltd
Zebra Brand Mobile EUR Printer Price List



QL320

Item	Part Number	Description	QTY	List Price (EUR)
14	RK18277-1	PRINTHEAD ASSY KIT		€ 103.19
	DC16123-2M	PRINTHEAD	1	
	TH-SL0802N	SCREW 4-40 X 3/16 SOCKET HEAD (also available in bulk quantities of 100, #AN16972-003)	1	
	BA15923-1	PRINTHEAD SPRING	2	
	AN16861-029	PRINTER FRAME KIT (units built after 10/2002)		€ 113.02
	BA13363-2	COMPOUND GEAR 64P 38T-25T	5	
	BA13364-2	COMPOUND GEAR 64P 44T-24T	5	
	BA16055-1	RETAINER GEAR	5	
	TH-SL0803N	SCREW 4-40 X 1/4 SOCKET HEAD (also available in bulk quantities of 20, #AN17006-038)	5	
	BA16020-1	GEAR 64P 44T	5	
	BA15971-1	LOCK RACK	5	
	DA16381-1	PRINTER FRAME	5	
	TSPBF0002	COMPRESSION SPRING	5	
16	AN16861-030	MEDIA DISK SUPPORT KIT		€ 39.31
	CA15905-2	MEDIA SUPPORT	5	
	BA15952-2	DISK MEDIA SUPPORT (also available in bulk quantities of 20, #AN16861-031)	5	
	TH-PTA023006-1	SCREW SELF TAP PT M3X6 PAN HD PHIL (also available in bulk quantities of 20, #AN16861-033)	10	
	TH-WG0419	WASHER FLAT 4 REDUCED (also available in bulk quantities of 100, #AN16861-032)	10	
	AN16753-026	MEDIA DISK SUPPORT LINERLESS KIT		€ 49.14
	BA16695-1	MEDIA DISK SUPPORT, LINERLESS	5	
	TH-WG0419	WASHER FLAT 4 REDUCED (also available in bulk quantities of 100, #AN16861-032)	10	
	TH-PTA023006-1	SCREW SELF TAP PT M3X6 PAN HD PHIL (also available in bulk quantities of 20, #AN16861-033)	10	
17	RK18251-1	BI-POLAR MOTOR KIT		€ 65.84
	BT16073-1	STEPPER BI-POLAR MOTOR	2	
	TH-SL0803N	SCREW 4-40 X 1/4 SKT HEAD CAP NYLON	2	
18	AN16753-009	BELT CLIP AND SHOULDER STRAP KIT		€ 93.36
	TH-PTA023010-1	SCREW SELF TAP PT M3X10 PAN HEAD PHIL (also available in bulk quantities of 20, #AN16793-030)	10	
	BA16371-1	BELT CLIP RETAINER KICKSTAND	5	
	CA15926-1	BELT CLIP (also available in bulk quantities of 20, #AN16861-005)	5	
	BT11132-1	SHOULDER STRAP (also available in bulk quantities of 25, #AN17006-035)	5	
	BT16899-1	HAND STRAP (also available in bulk quantities of 25, #AN16861-006)	5	
	AT16004-1	BATTERY	1	€ 77.00
	AN16753-010	CORNER ATTACHMENT KIT		€ 29.48
	TH-SL0811N	SCREW 4-40 X 1 SOCKET HEAD CAP NYLON	15	
	TH-SL0813N	SCREW 4-40 X 1 1/4 SOCKET HEAD CAP NYLON	15	
	BA16045-1	SLEEVE	15	
	BA16046-1	CLIP D RING	15	
	AN16793-030	SELF TAP SCREW, QTY OF 20		€ 19.66
	TH-PTA023010-1	SCREW SELF TAP PT M3X10 PAN HEAD PHIL	20	
	AN16861-004	NYLON WASHER, QTY OF 100		€ 24.57
	TH-YJ0401	NYLON WASHER	100	
	AN16861-005	BELT CLIP, QTY OF 20		€ 39.31

Zebra Technologies Europe Ltd
Zebra Brand Mobile EUR Printer Price List

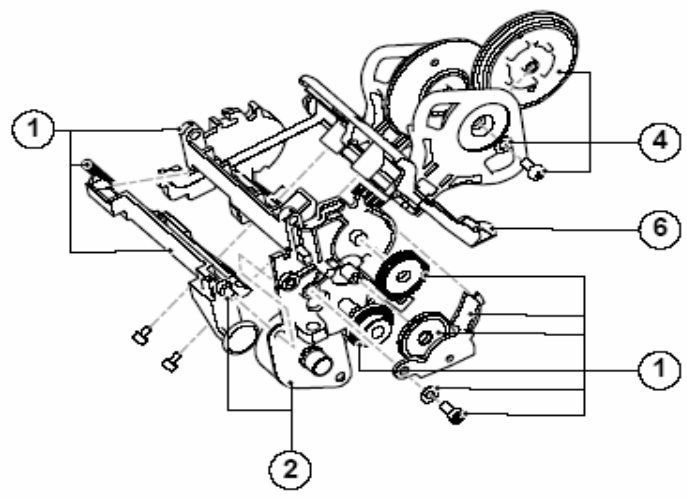
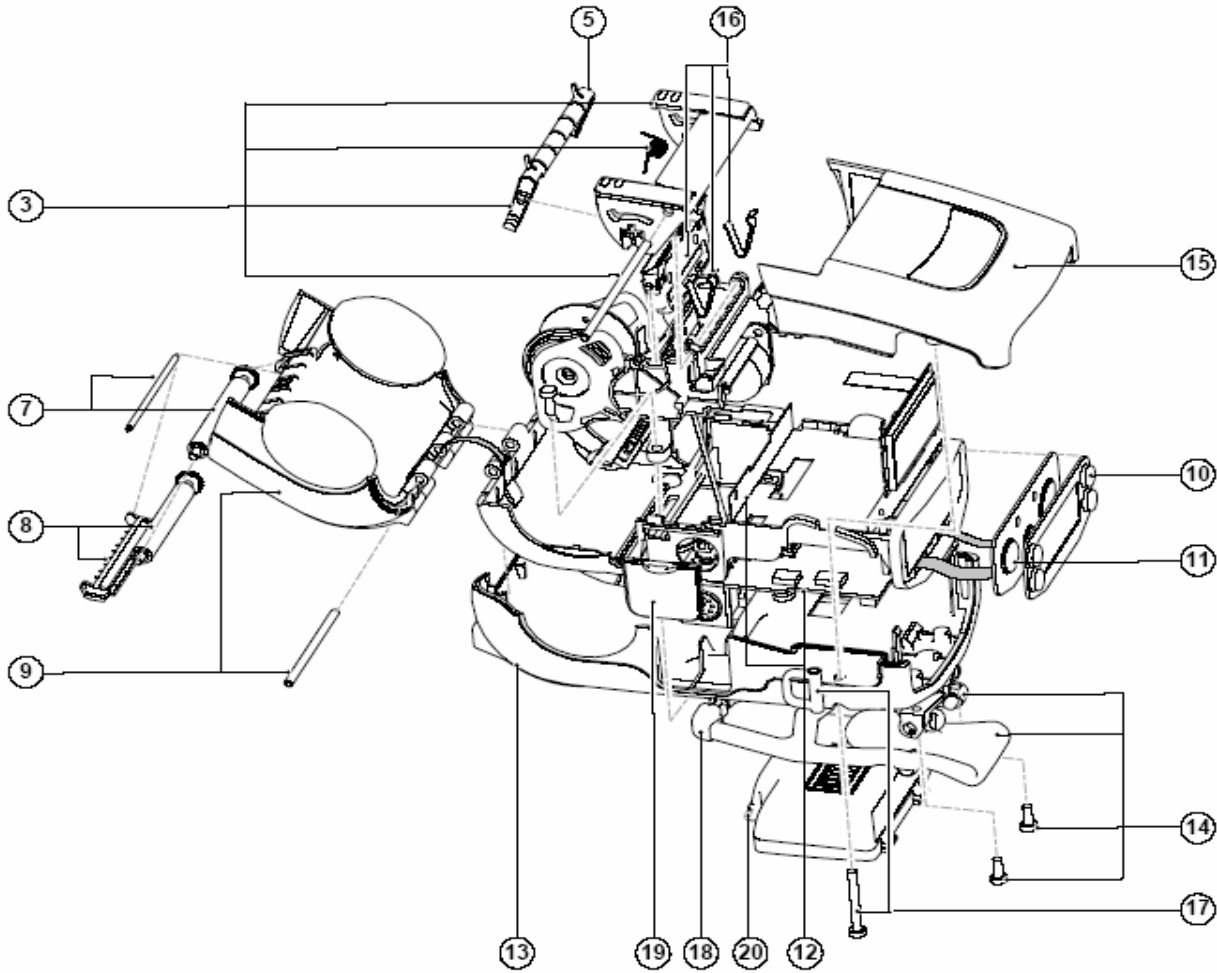


QL320

Item	Part Number	Description	QTY	List Price (EUR)
	CA15926-1	BELT CLIP	20	
AN16861-006 HAND STRAP, QTY OF 25				€ 73.71
	BT16899-1	HAND STRAP	25	
AN16861-031 MEDIA DISK SUPPORT, QTY OF 20				€ 19.66
	BA15952-2	MEDIA DISK SUPPORT	20	
AN16861-032 FLAT WASHER, QTY OF 100				€ 24.57
	TH-WG0419	FLAT WASHER	100	
AN16861-033 SELF TAP SCREW, QTY OF 20				€ 24.57
	TH-PTA023006-1	SELF TAP SCREW M3X6	20	
AN16972-003 SOCKET HEAD SCREW, QTY OF 100				€ 24.57
	TH-SL0802N	SOCKET HEAD SCREW	100	
AN17006-035 CARRYING STRAP, QTY OF 25				€ 294.83
	BT11132-1	CARRYING STRAP	25	
AN17006-037 HEAD SOCKET SCREW, QTY OF 100				€ 24.57
	TH-SL0807N	SCREW SOCKET HEAD NYLOCK 4-40 X 1/2	100	
AN17006-038 SOCKET SCREW, QTY OF 20				€ 19.66
	TH-SL0803N	SOCKET SCREW	20	

*All bulk quantity part numbers and prices are located within each section.

QL220 REPLACEMENT KITS - UNIT EXPLODED VIEW



Zebra Technologies Europe Ltd
Zebra Brand Mobile EUR Printer Price List



QL220

Item	Part Number	Description	QTY	List Price (EUR)
1	AN16972-001	PRINTER FRAME KIT		€ 88.45
	DA16539-1	PRINTER FRAME	5	
	TSPB0007	COMPRESSION SPRING	5	
	BA16272-1	SPRING LATCH	5	
	BA16540-1	RACK LOCK	5	
	BA16020-1	GEAR 64P 44T	5	
	BA13364-2	COMPOUND GEAR 64P 44T-24T	5	
	BA13363-2	COMPOUND GEAR 64P 38T-25T	5	
	TH-SL0802N	SOCKET HEAD SCREW	5	
BA16537-1	RETAINER GEAR	5		
2	AN16972-002	BI-POLAR MOTOR KIT		€ 65.84
	BT16601-1	BI-POLAR MOTOR	2	
	TH-SL0802N	SOCKET HEAD SCREW (also available in bulk quantities of 100, #AN16972-003)	2	
3	AN16972-004	LATCH ASSY KIT		€ 73.71
	CA16541-1	LATCH	5	
	TSPC0007	COMPRESSION SPRING	10	
	BA16021-1	JOURNAL	5	
	CA16594-1	PEELER BAIL	5	
	BA16538-1	LATCH LOCK	5	
4	AN16972-005	MEDIA DISK SUPPORT KIT		€ 39.31
	CA16533-1	MEDIA SUPPORT	5	
	BA15952-2	MEDIA DISK SUPPORT (also available in bulk quantities of 20, #AN16861-031)	5	
	TH-WG0419	WASHER FLAT 4 REDUCED (also available in bulk quantities of 100, #AN16861-032)	10	
	TH-PTA023006-1	SCREW SELF TAP PT M3X6 PAN HD PHIL (also available in bulk quantities of 20, #AN16861-033)	10	
4	AN16753-026	MEDIA DISK SUPPORT LINERLESS KIT		€ 49.14
	BA16695-1	MEDIA DISK SUPPORT, LINERLESS	5	
	TH-WG0419	WASHER FLAT 4 REDUCED (also available in bulk quantities of 100, #AN16861-032)	10	
	TH-PTA023006-1	SCREW SELF TAP PT M3X6 PAN HD PHIL (also available in bulk quantities of 20, #AN16861-033)	10	
5	AN16972-006	PEELER SHAFT/ROLLER KIT		€ 54.05
	BA16638-1	PEELER SHAFT	5	
	BA16542-1	PEELER ROLLER	10	
6	AN16972-007	MEDIA GUIDE PLATE KIT		€ 44.22
	CA16533-1	MEDIA SUPPORT	10	
	CA16530-1	MEDIA GUIDE PLATE	5	
	BA16531-1	MEDIA GUIDE RACK	10	
	BA16532-1	PINION RACK	5	
	BA16801-1	SPRING RACK	5	
	TH-SL0807N	SOCKET HEAD CAP SCREW (also available in bulk quantities of 100, #AN17006-037)	10	
	AN16972-023	MEDIA GUIDE PLATE w/MEDIA WIDTH SENSOR KIT		€ 58.97
CA16533-1	MEDIA SUPPORT	10		
CA16530-1	MEDIA GUIDE PLATE	5		
BA16531-1	MEDIA GUIDE RACK	10		
BA16532-1	PINION RACK	5		

Zebra Technologies Europe Ltd
Zebra Brand Mobile EUR Printer Price List



QL220

Item	Part Number	Description	QTY	List Price (EUR)
	BA16801-1	SPRING RACK	5	
	TH-SL0807N	SOCKET HEAD CAP SCREW (also available in bulk quantities of 100, #AN17006-037)	10	
	BL16289-1	MEDIA WIDTH ASSY	5	
	BA16356-1	WIPER CLIP	5	
	BA16282-1	POSITION TRANSDUCER WIPER	5	
7	AN16972-008	PLATEN/GEAR LINERED KIT		€ 67.81
	BA16637-1	BAR PEELER	3	
	BA16632-1	PLATEN	3	
	BA15912-1	GEAR	3	
8	AN16972-009	PLATEN/GEAR LINERLESS KIT		€ 147.41
	BA16635-1	PLATEN	3	
	BA15912-1	GEAR	3	
	CA16696-1	SCRAPER	3	
9	RK18236-1	MEDIA COVER ASSY KIT		€ 103.19
	DA16534-1	MEDIA COVER	2	
	TH-SL0802N	SOCKET HEAD SCREW (also available in bulk quantities of 100, #AN16972-003)	4	
	BA16639-1	HINGE PIN	2	
	BL16602-2	BLACK BAR SENSOR CABLE	2	
	CC16666-2	INNER COVER AND WINDOWS ASSY	2	
10	AN16972-011	KEYPAD DISPLAY KIT		€ 83.53
	CA15942-1	KEYPAD DISPLAY	2	
11	AN16972-012	MEMBRANE KEYPAD KIT		€ 88.45
	CA15941-1	MEMBRANE KEYPAD	3	
12	AN16972-013	CPU 1MB/1MB FLASH KIT		€ 490.40
	CQ16616-1	PC ASSY H8 CPU 1M RAM/1M FLASH	1	
	CA16656-1	COVER PC BOARD	1	
	RK18259-1	CPU 2MB/2MB FLASH		€ 588.67
	CQ16616-G4	PC ASSY H8 CPU 2M RAM/2M FLASH	1	
	CA16656-1	COVER PC BOARD	1	
13	AN16972-015	LOWER HOUSING KIT		€ 23.59
	DA16546-1	LOWER HOUSING	2	
	TH-SL0802N	SOCKET HEAD SCREW (also available in bulk quantities of 100, #AN16972-003)	4	
14	AN16753-009	BELT CLIP AND SHOULDER STRAP KIT		€ 93.36
	TH-PTA023010-1	SCREW SELF TAP PT M3X10 PAN HEAD PHIL (also available in bulk quantities of 20, #AN16793-030)	10	
	BA16371-1	BELT CLIP RETAINER KICKSTAND	5	
	CA15926-1	BELT CLIP (also available in bulk quantities of 20, #AN16861-005)	5	
	BT11132-1	SHOULDER STRAP (also available in bulk quantities of 25, #AN17006-035)	5	
	BT16899-1	HAND STRAP (also available in bulk quantities of 25, #AN16861-006)	5	
15	RK18237-1	BLUETOOTH KIT - QL H8		€ 255.52
	CC16709-E1M	BLUETOOTH MODULE	1	

Zebra Technologies Europe Ltd
Zebra Brand Mobile EUR Printer Price List



QL220

Item	Part Number	Description	QTY	List Price (EUR)
	TH-SL0802N	SOCKET HEAD SCREW (also available in bulk quantities of 100, #AN16972-003)	1	
	RK18238-1	802.11B CF KIT (end cap) - QL H8		€ 491.38
	CC16710-1	QL220 802.11B CF MODULE	1	
	TH-SL0802N	SOCKET HEAD SCREW	1	
	RK18239-1	802.11B CF KIT (tune antenna) - QL H8		€ 540.52
	CC16710-E2	QL220 802.11B CF MODULE	1	
	TH-SL0802N	SOCKET HEAD SCREW	1	
	RK17735-021	BLUETOOTH KIT - QL SH3 (Plus)		€ 255.52
	RK17735-022	Symbol CF 802.11b - QL SH3 (Plus)		€ 491.38
	AN16972-019	UPPER HOUSING KIT		€ 63.88
	DA16547-1	UPPER HOUSING	5	
	TH-SL0802N	SOCKET HEAD SCREW	1	
16	RK18278-1	PRINTHEAD ASSY		€ 93.36
	CC16662-2	PRINTHEAD ASSY	1	
	BA16792-1	PRINTHEAD SPRING	1	
17	AN16753-010	CORNER ATTACHMENT KIT		€ 29.48
	TH-SL0811N	SCREW 4-40 X 1 SOCKET HEAD CAP NYLON	15	
	TH-SL0813N	SCREW 4-40 X 1 1/4 SOCKET HEAD CAP NYLON	15	
	BA16045-1	SLEEVE	15	
	BA16046-1	CLIP D RING	15	
18	AN16972-022	KICKSTAND		€ 19.66
	CA16372-1	KICKSTAND	10	
19	AN16972-021	DOOR CONNECTOR KIT		€ 29.48
	CA16548-1	DOOR CONNECTOR RUBBER	15	
20	AT16004-1	BATTERY		€ 77.00
	AN16861-005	BELT CLIP, QTY OF 20		€ 39.31
	CA15926-1	BELT CLIP	20	
	AN16861-006	HAND STRAP, QTY OF 25		€ 73.71
	BT16899-1	HAND STRAP	25	
	AN16861-031	MEDIA DISK SUPPORT, QTY OF 20		€ 19.66
	BA15952-2	MEDIA DISK SUPPORT	20	
	AN16861-032	FLAT WASHER, QTY OF 100		€ 24.57
	TH-WG0419	FLAT WASHER	100	
	AN16861-033	SELF TAP SCREW, QTY OF 20		€ 24.57

Zebra Technologies Europe Ltd
Zebra Brand Mobile EUR Printer Price List



QL220

Item	Part Number	Description	QTY	List Price (EUR)
	TH-PTA023006-1	SELF TAP SCREW M3X6	20	
AN16972-003 SOCKET HEAD SCREW, QTY OF 100				€ 24.57
	TH-SL0802N	SOCKET HEAD SCREW	100	
	CA16594-1	PEELER BAIL	5	
AN16793-030 SELF TAP SCREW, QTY OF 20				€ 19.66
	TH-PTA023010-1	SCREW SELF TAP PT M3X10 PAN HEAD PHIL	20	
AN17006-035 CARRYING STRAP, QTY OF 25				€ 294.83
	BT11132-1	CARRYING STRAP	25	
AN17006-037 HEAD SOCKET SCREW, QTY OF 100				€ 24.57
	TH-SL0807N	SCREW SOCKET HEAD NYLOCK 4-40 X 1/2	100	

*All bulk quantity part numbers and prices are located within each section.

Zebra Technologies Europe Ltd
Zebra Brand Mobile EUR Printer Price List



Cameo 2

Part Number	Description	QTY	List Price (EUR)
AN16793-001	KEYPAD KIT		€ 44.22
AA14024-1	KEYPAD	5	
AA15179-1	IR LABEL (pcc digit 7 = 2)	5	
AA16298-1	BLUE TOOTH LABEL	5	
AN16793-002	LINERLESS PLATEN KIT		€ 63.88
BA13294-1	LINERLESS PLATEN (pcc digit 8 = C)	1	
BA13316-1	SPUR GEAR	1	
TB-LN5228	FLANGE BEARING	2	
AN16793-003	PLATEN KIT		€ 54.05
TB-LN5228	FLANGE BEARING	2	
BA13316-1	SPUR GEAR	1	
BA15147-1	PLATEN (pcc digit 8 = A or B)	1	
AN16793-004	COMPOUND GEAR KIT		€ 34.40
BA13363-1	COMPOUND GEAR, 38-35T	5	
BA13364-1	COMPOUND GEAR, 44-24T	5	
TH-PE0302	SELF TAPPING SCREW #2-56 x 3/16 LG	10	
BA14043-1	GEAR COVER	5	
AN16793-005	MEDIA COVER KIT		€ 29.48
BA14033-1	HINGE PIN	5	
DA14009-1	MEDIA COVER	5	
AN16793-006	PLATEN SPRING KIT		€ 24.57
BA14042-1	PLATEN SPRING , RH	5	
BA14042-2	PLATEN SPRING, LH	5	
AN16793-009	EDGE GUIDE KIT		€ 12.00
CA14012-1	EDGE GUIDE	5	
RK18253-1	EYE SENSOR MOUNT KIT		€ 15.72
CA14013-1	SENSOR MOUNT (pcc digit 7 = B)	5	
CQ13347-G3	EYE SENSOR PC ASSEMBLY	5	
TH-PE0303	SELF TAPPING SCREW #2 x 1/4 (pcc digit 7 = B)	5	
THRMP22CC16	CLAMP (pcc digit 7 = B)	5	
RK18254-1	EYE SENSOR KIT		€ 15.72
CQ13347-G3	EYE SENSOR PC ASSEMBLY	5	
AN16793-012	BATTERY LATCH KIT		€ 40.29
DA14010-1	BATTERY LATCH BUTTON	5	
TH-SL0803N	SOCKET HEAD SCREW 4-40 x 1/4 (also available in bulk quantities of 25 AN17006-038)	5	
TH-WA0409	FLAT WASHER #4	5	
DA14011-1	BATTERY LATCH SLIDER	5	
TSPDA0022	COMPRESSION SPRING	15	
RK18232-1	CPU W/MCR,IRDA, SMART CARD KIT		€ 343.97
CQ15387-G135	CPU ASSEMBLY W/MCR, IRDA, SMART CARD	1	
TH-PTA023008-5	SELF TAPPING SCREW M3 x 8mm	4	
RK18255-1	CPU ASSEMBLY W/MCR, SRRF, SMART CARD KIT		€ 343.97

Zebra Technologies Europe Ltd
Zebra Brand Mobile EUR Printer Price List



Cameo 2

Part Number	Description	QTY	List Price (EUR)
CQ15387-G145	CPU ASSEMBLY W/MCR, SRRF, SMART CARD	1	
TH-PTA023008-5	SELF TAPPING SCREW M3 x 8mm	4	
AN16793-015 MOD BOOT W/MCR, DIN AND CHARGER CUTOUTS KIT			€ 37.00
CB15229-1	MOD. BOOT w/ MCR, DIN and Charger Cutouts	1	
DA15071-1	BOTTOM BOOT	1	
AN16793-016 MOD BOOT W/MCR, DIN AND IR CUTOUTS KIT			€ 37.00
CB15229-2	MOD. BOOT w/ MCR, DIN and IR Cutouts	1	
DA15071-1	BOTTOM BOOT	1	
AN16793-017 MOD BOOT W/IR CUTOUTS KIT			€ 37.00
CB15229-3	MOD. BOOT w/ IR Cutouts	1	
DA15071-1	BOTTOM BOOT	1	
AN16793-018 MOD BOOT W/DIN AND CHARGER CUTOUTS KIT			€ 37.00
CB15229-4	MOD. BOOT w/ DIN and Charger Cutouts	1	
DA15071-1	BOTTOM BOOT	1	
RK18256-1 2.4GHZ ANTENNA			€ 108.10
CQ15731-G1	2.4 GHZ SRRF ANTENNA (pcc digit 7 = 4)	2	
AN16793-020 LOWER HOUSING KIT			€ 23.59
DA14007-1	LOWER HOUSING (pcc digit 12 = 0 or 1)	2	
AN16793-021 UPPER HOUSING KIT, W/MAG CARD READER			€ 54.05
DA14008-1	UPPER HOUSING (pcc digit 12 = 1)	2	
AA14024-1	KEYPAD	2	
AA15179-1	IR LABEL (pcc digit 7 = 2)	2	
REF. PCC	PRODUCT ID LABEL	2	
AA15103-1	CARD SWIPE LABEL (pcc digit 12 = 1)	2	
TH-PTA023010-1	SELF TAPPING SCREW M3 x 10mm (pcc digit 11 = 0 or 1) (also available in bulk quantities of 20, #AN16793-030)	8	
AN16793-022 UPPER HOUSING KIT, BASIC			€ 34.40
DA14008-2	UPPER HOUSING (pcc digit 12 = 0)	2	
AA14024-1	KEYPAD	2	
AA15179-1	IR LABEL (pcc digit 7 = 2)	2	
REF. PCC	PRODUCT ID LABEL	2	
TH-PTA023010-1	SELF TAPPING SCREW M3 x 10mm (pcc digit 11 = 0 or 1) (also available in bulk quantities of 20, #AN16793-030)	8	
AN16793-024 BELT CLIP, QTY OF 25			€ 20.00
CA15383-1	BELT CLIP (pcc digit 11 = 0 or 1)	25	
AN16793-025 BELT CLIP RETAINER, QTY OF 25			€ 24.57
CA15580-1	BELT CLIP RETAINER (pcc digit 11 = 0 or 1)	25	
AN16793-026 916MHZ SRRF KIT			€ 542.48
CC15431-1	916MHZ SRRF ASSY	2	
AN16793-027 SELF TAPPING SCREW 4-40, QTY OF 20			€ 19.66
TH-PE0404	SELF TAPPING SCREW #4-40 x 5/16	20	

Zebra Technologies Europe Ltd
Zebra Brand Mobile EUR Printer Price List



Cameo 2

Part Number	Description	QTY	List Price (EUR)
AN16793-028 SELF TAPPING SCREW 4-40, QTY OF 20			€ 19.66
TH-PE0403	SELF TAPPING SCREW #4-40 x 1/4 LG	20	
AN16793-029 SPLIT RING, QTY OF 4			€ 20.00
TRFMHAB62	SPLIT RING	4	
AN16793-030 SELF TAP SCREW, QTY OF 20			€ 19.66
TH-PTA023010-1	SCREW SELF TAP PT M3 X 10 PAN HEAD PHIL	20	
AN16730-031 916 MHZ SRRF ANTENNA KIT			€ 98.28
CQ15730-1	916 MHZ SRRF ANTENNA (pcc digit 7 = 3)	2	
RK18257-1 BLUETOOTH MODULE KIT			€ 185.74
CC16735-G1	BLUETOOTH MODULE	1	
AA17032-1	INSTRUCTION SHEET BLUETOOTH REGULATORY	1	
AB17031-1	LABLE MOD BLUETOOTH REGULATORY	1	
AN16794-001 SHOULDER STRAP/BELT CLIP KIT			€ 97.29
CA15383-1	BELT CLIP (pcc digit 11 = 0 or 1) (also available in bulk quantities of 25, #AN16793-024)	1	
CA15580-1	BELT CLIP RETAINER (pcc digit 11 = 0 or 1) (also available in bulk quantities of 25, #AN16793-025)	1	
TH-PTA023010-1	SELF TAPPING SCREW M3 x 10mm (pcc digit 11 = 0 or 1) (also available in bulk quantities of 20, #AN16793-030)	2	
CA15582-1	SHOULDER STRAP CLIP (pcc digit 11 = 1)	1	
CA15384-1	BELT CLIP RETAINER (pcc digit 11 = 1)	1	
BT11132-1	SHOULDER STRAP (pcc digit 11 = 1 or 3)	5	
TH-WB0403	LOCK WASHER #4	4	
BA12408-1	BACKP-UP PLATE	1	
CA12407-1	BELT CLIP BOOT	1	
TH-SI0802	SCREW #4-40 x 3/16	4	
TRFMHAB62	SPLIT RING (also available in bulk quantities of 100, #AN16793-029)	2	
AN16823-028 BI-POLAR MOTOR KIT			€ 65.84
BT16601-1	BI-POLAR MOTOR	2	
TH-SL0803N	SOCKET HEAD SCREW (also available in bulk quantities of 20, #AN17006-038)	4	
AN16824-013 2.4GHZ SRRF RADIO KIT			€ 573.93
CC15380-1V	2.4GHZ SRRF RADIO ASSY	2	
BA13913-1	RADIO INSULATOR	2	
TH-PE0403	SELF TAP PAN HEAD SCREW (also available in bulk quantities of 20, #AN16793-028)	2	
AN17006-038 SOCKET SCREW, QTY OF 20			€ 19.66
TH-SL0803N	SOCKET SCREW	20	
BB15426-1	MOD. SMART CARD READER (pcc digit 12 = 2 or 3)	1	€ 157.24
AN18260-1	MAGNETIC CARD READER KIT (pcc digit 12 = 1 or 3)	1	€ 98.28
CC14035-3	BATTERY PACK, 1.6 AHR	1	€ 71.00
CC14036-1	PRINTHEAD ASSEMBLY	1	€ 93.36

*All bulk quantity part numbers and prices are located within each section.

Zebra Technologies Europe Ltd
Zebra Brand Mobile EUR Printer Price List



Cameo 3

Part Number	Description	QTY	List Price (EUR)
AN16793-001	KEYPAD KIT		€ 44.22
AA14024-1	KEYPAD	5	
AA15179-1	IR LABEL (pcc digit 7 = 2)	5	
AA16298-1	BLUETOOTH LABEL	5	
AN16793-004	COMPOUND GEAR KIT		€ 34.40
BA13363-1	COMPOUND GEAR, 38-35T	5	
BA13364-1	COMPOUND GEAR, 44-24T	5	
TH-PE0302	SELF TAPPING SCREW #2-56 x 3/16 LG	10	
BA14043-1	GEAR COVER	5	
AN16793-006	PLATEN SPRING KIT		€ 24.57
BA14042-1	PLATEN SPRING, RH	5	
BA14042-2	PLATEN SPRING, LH	5	
AN16793-009	EDGE GUIDE KIT		€ 12.00
CA14012-1	EDGE GUIDE	5	
RK18253-1	EYE SENSOR MOUNT KIT		€ 15.72
CA14013-1	SENSOR MOUNT (pcc digit 7 = B)	5	
CQ13347-G3	EYE SENSOR PC ASSEMBLY	5	
TH-PE0303	SELF TAPPING SCREW #2 x 1/4 (pcc digit 7 = B)	5	
THRMP22CC16	CLAMP (pcc digit 7 = B)	5	
RK18254-1	EYE SENSOR KIT		€ 15.72
CQ13347-G3	EYE SENSOR PC ASSEMBLY	5	
AN16793-024	BELT CLIP, QTY OF 25		€ 20.00
CA15383-1	BELT CLIP (pcc digit 11 = 0 or 1)	25	
AN16793-025	BELT CLIP RETAINER, QTY OF 25		€ 24.57
CA15580-1	BELT CLIP RETAINER (pcc digit 11 = 0 or 1)	25	
AN16793-026	916MHZ SRRF KIT		€ 542.48
CC15431-1	916MHZ SRRF ASSY	2	
AN16793-027	SELF TAPPING SCREW 4-40, QTY OF 20		€ 19.66
TH-PE0404	SELF TAPPING SCREW #4-40 x 5/16	20	
AN16793-028	SELF TAPPING SCREW 4-40, QTY OF 20		€ 19.66
TH-PE0403	SELF TAPPING SCREW #4-40 x 1/4 LG	20	
AN16793-029	SPLIT RING, QTY OF 4		€ 20.00
TRFMHAB62	SPLIT RING	4	
AN16793-030	SELF TAP SCREW, QTY OF 20		€ 19.66
TH-PTA023010-1	SCREW SELF TAP PT M3X10 PAN HEAD PHIL	20	
RK18257-1	BLUETOOTH MODULE KIT		€ 185.74
CC16735-G1	BLUETOOTH MODULE	1	
AA17032-1	INSTRUCTION SHEET BLUETOOTH REGULATORY	1	

Zebra Technologies Europe Ltd
Zebra Brand Mobile EUR Printer Price List



Cameo 3

Part Number	Description	QTY	List Price (EUR)
AB17031-1	LABLE MOD BLUETOOTH REGULATORY	1	
AN16793-033 MAGNETIC CARD READER KIT (pcc digit 12 = 1 or 3)			€ 98.28
BB17007-1	MAGNETIC CARD READER KIT (pcc digit 12 = 1 or 3)	1	
AA16799-1	FOAM PAD	1	
BA16798-1	BRACKET, MAG CARD	1	
AN16794-001 SHOULDER STRAP/BELT CLIP KIT			€ 97.29
CA15383-1	BELT CLIP (pcc digit 11 = 0 or 1) (also available in bulk quantities of 25, #AN16793-024)	1	
CA15580-1	BELT CLIP RETAINER (pcc digit 11 = 0 or 1) (also available in bulk quantities of 25, #AN16793-025)	1	
TH-PTA023010-1	SELF TAPPING SCREW M3 x 10mm (pcc digit 11 = 0 or 1) (also available in bulk quantities of 20, #AN16793-030)	2	
CA15582-1	SHOULDER STRAP CLIP (pcc digit 11 = 1)	1	
CA15384-1	BELT CLIP RETAINER (pcc digit 11 = 1)	1	
BT11132-1	SHOULDER STRAP (pcc digit 11 = 1 or 3)	5	
TH-WB0403	LOCK WASHER #4	4	
BA12408-1	BACKP-UP PLATE	1	
CA12407-1	BELT CLIP BOOT	1	
TH-SI0802	SCREW #4-40 x 3/16	4	
TRFMHAB62	SPLIT RING (also available in bulk quantities of 100, #AN16793-029)	2	
AN16794-002 PLATEN KIT			€ 54.05
TB-NB0303	FLANGE BEARING	2	
BA15291-1	PLATEN	1	
BA13316-1	SPUR GEAR	1	
AN16794-003 MEDIA COVER KIT			€ 29.48
BA15302-1	HINGE PIN	5	
DA15212-1	MEDIA COVER	5	
AN16794-004 CPU W/BASIC KIT			€ 245.69
TH-PTA023010-1	SCREW SELF TAP PT M3 X 10 PAN HEAD PHIL (also available in bulk quantities of 20, #AN16793-030)	4	
CQ15183-1	CPU BASIC PC ASSY	1	
AN16794-005 CPU W/UART, MAG KIT			€ 343.97
TH-PTA023010-1	SCREW SELF TAP PT M3 X 10 PAN HEAD PHIL (also available in bulk quantities of 20, #AN16793-030)	4	
CQ15183-6	CPU UART PC ASSY	1	
AN16794-006 CPU W/IRDA KIT			€ 343.97
TH-PTA023010-1	SCREW SELF TAP PT M3 X 10 PAN HEAD PHIL (also available in bulk quantities of 20, #AN16793-030)	4	
CQ15183-2	CPU IRDA (infra-red data association) PC ASSY	1	
AN16794-007 CPU W/SC, NET, IRDA KIT			€ 343.97
TH-PTA023010-1	SCREW SELF TAP PT M3 X 10 PAN HEAD PHIL (also available in bulk quantities of 20, #AN16793-030)	4	
CQ15628-2	CPU SC/NET IRDA PC ASSY	1	
AN16794-008 CPU W/SRRF KIT			€ 343.97

Zebra Technologies Europe Ltd
Zebra Brand Mobile EUR Printer Price List



Cameo 3

Part Number	Description	QTY	List Price (EUR)
TH-PTA023010	SCREW SELF TAP PT M3 X 10 PAN HEAD PHIL (also available in bulk quantities of 20, #AN16793-030)	4	
CQ15183-3	CPU SRRF PC ASSY	1	
AN16794-009	CPU W/SC, NET KIT		€ 343.97
TH-PTA023010	SCREW SELF TAP PT M3 X 10 PAN HEAD PHIL (also available in bulk quantities of 20, #AN16793-030)	4	
CQ15628-1	CPU SC/NET PC ASSY	1	
AN16794-010	BATTERY LATCH KIT		€ 14.74
CA15217-1	BATTERY LATCH	5	
CA15259-1	BATTERY LATCH BUTTON	5	
TSPBS0017	SPRING	5	
AN16794-013	916MHZ ANTENNA KIT		€ 98.28
CQ15353-1	ANTENNA ASSEMBLY 916 MHZ (pcc digit 7 = 3)	2	
AN16794-015	LOWER CASE KIT		€ 14.74
DA15213-1	LOWER CASE	2	
AN16794-016	MOD BOOT/CHARGER CUTOUT KIT		€ 44.22
DB15798-2	MOD. BOOT W/ Charger Cutout	1	
DA15268-1	BOTTOM BOOT	1	
AN16794-017	MOD BOOT W/DIN AND CHAGER CUTOUT KIT		€ 44.22
DB15798-5	MOD. BOOT W/ DIN and Charger Cutouts	1	
DA15268-1	BOTTOM BOOT	1	
AN16794-018	MOD BOOT W/DIN CUTOUT KIT		€ 44.22
DB15798-3	MOD. BOOT W/ DIN Cutout	1	
DA15268-1	BOTTOM BOOT	1	
AN16794-019	MOD BOOT W/DIN, CHARGER AND IR CUTOUT KIT		€ 44.22
DB15798-7	MOD. BOOT W/ DIN,Charger and IR Cutouts	1	
DA15268-1	BOTTOM BOOT	1	
AN16794-020	MOD BOOT W/IR AND CHARGER CUTOUT KIT		€ 44.22
DB15798-6	MOD. BOOT W/ IR and Charger Cutouts	1	
DA15268-1	BOTTOM BOOT	1	
AN16794-021	MOD BOOT W/IR CUTOUT KIT		€ 44.22
DB15798-4	MOD. BOOT W/ IR Cutouts	1	
DA15268-1	BOTTOM BOOT	1	
AN16794-023	UPPER CASE KIT, BASIC		€ 34.40
DA15214-1	UPPER CASE (pcc digit 12 = 0)	2	
AA14024-1	KEYPAD	2	
AA15179-1	IR LABEL (pcc digit 7 = 2)	2	
TH-PTA023010-1	SCREW SELF TAP PT M3 X 10 PAN HEAD PHIL (also available in bulk quantities of 20, #AN16793-030)	4	
AA16298-1	BLUETOOTH LABEL	2	
PER PCC BOM	PRODUCT ID LABEL	2	

Zebra Technologies Europe Ltd
Zebra Brand Mobile EUR Printer Price List



Cameo 3

Part Number	Description	QTY	List Price (EUR)
AN16794-024	UPPER CASE KIT, W/MAG and SMART CARD		€ 54.05
DA15459-1	UPPER CASE (pcc digit 12 = 1 or 3)	2	
DA15459-2	UPPER CASE W/O MCR (pcc digit 12 = 2)	2	
AA14024-1	KEYPAD	4	
PER PCC BOM	PRODUCT ID LABEL	4	
AA15179-1	IR LABEL (pcc digit 7 = 2)	2	
AA16298-1	BLUETOOTH LABEL	2	
TH-PTA023010-1	SCREW SELF TAP PT M3 X 10 PAN HEAD PHIL (also available in bulk quantities of 20, #AN16793-030)	4	
BA15632-1	SMART CARD COVER (pcc digit 12 = 0 or 1)	2	
AN16794-026	NETWORK RADIO BASE/COVER KIT, CAMEO 3N		€ 21.62
DA15621-1	NETWORK RADIO BASE	1	
DA15622-1	NETWORK RADIO COVER	1	
DA15769-1	RADIO RETAINER	1	
TH-PTA023008-1	SELF TAPPING SCREW M3 x 8mm	8	
AN16794-027	NETWORK RADIO/ADAPTER KIT, CAMEO 3N		€ 98.28
BL15748-1	NETWORK RADIO CABLE	1	
CQ15771-2	RADIO ADAPTER	1	
BA15650-1	INSULATOR	1	
TH-PTA023008-1	SELF TAPPING SCREW M3 x 8mm	2	
AN16794-028	PCMCIA 2.4GHZ RADIO/ANTENNA KIT, CAMEO 3SC		€ 895.29
AT15477-1	PCMCIA RADIO 2.4 GHZ (used on -1)	1	
CQ15469-5	2.4 GHZ ANTENNA	1	
AN16794-029	PCMCIA 2.4GHZ RADIO/ANTENNA KIT, CAMEO 3N		€ 895.29
AT15477-2	PCMCIA RADIO 2.4 GHZ (used on -2)	1	
CQ15469-5	2.4 GHZ ANTENNA	1	
AN16794-032	2.4GHZ ANTENNA KIT, CAMEO 3SC		€ 108.10
CQ16142-1	2.4GHZ SRRF ANTENNA ASSY	2	
AN16794-033	916MHZ ANTENNA KIT, CAMEO 3SC		€ 98.28
CQ16141-1	916MHZ SRRF ANTENNA ASSY	2	
AN16823-028	BI-POLAR MOTOR KIT		€ 65.84
BT16601-1	BI-POLAR MOTOR	2	
TH-SL0803N	SOCKET HEAD SCREW (also available in bulk quantities of 20, #AN17006-038)	4	
AN16824-013	2.4GHZ SRRF RADIO KIT		€ 573.93
CC15380-1V	2.4GHZ SRRF RADIO ASSY	2	
BA13913-1	RADIO INSULATOR	2	
TH-PE0403	SELF TAP PAN HEAD SCREW (also available in bulk quantities of 10, #AN16793-028)	2	
AN17006-038	SOCKET SCREW, QTY OF 20		€ 19.66
TH-SL0803N	SOCKET SCREW	20	
BB15426-1	MOD. SMART CARD READER (pcc digit 12 = 2 or 3)	1	€ 157.24

Zebra Technologies Europe Ltd
Zebra Brand Mobile EUR Printer Price List



Cameo 3

Part Number	Description	QTY	List Price (EUR)
CC15294-3	BATTERY PACK ASSEMBLY	1	€ 74.00
CC15301-1	PRINTHEAD ASSEMBLY	1	€ 93.48

*All bulk quantity part numbers and prices are located within each section.

Zebra Technologies Europe Ltd
Zebra Brand Mobile Euro Printer Price List



PA/PT

Part Number	Description	QTY	List Price (Euro)
52503	ANT-STATIC BRUSH	1	€ 6.88
52519	GROUND CABLE, TOP COVER	1	€ 2.95
52520	BIN	1	€ 16.71
52573	SLEEVE RIBBON CARTRIDGE	1	€ 12.78
52582	IRDA BOARD	1	€ 133.66
52711	CABLE IRDE	1	€ 33.41
82330	L 04.1875 X 0.5625 PT400	1	€ 29.48
505013	DOOR TOP	1	€ 16.71
505014	DOOR BATTERY	1	€ 13.76
505043	GEAR 14T 24	1	€ 1.97
505068	BEZEL INTERFACE	1	€ 1.97
505086	BLADE TEAR	1	€ 14.74
505105	ASSY MEDIA SUPPORT	1	€ 44.22
505122	PA LINKAGE PIN DOOR	1	€ 21.62
505130	ASSY CLUTCH RTU	1	€ 44.22
505137	BRNG .125 DIA	1	€ 1.97
505151	FRAME L	1	€ 18.67
505204	SPCR MG	1	€ 10.81
505004M KIT MAINT SWITCH MEMBRANE PA400			€ 54.05
505004	MEMBRANE SWITCH	1	
505004L	INSTALLATION INSTRUCTION	1	
505010B HOUSING FRONT BAKED			€ 55.03
505011B HOUSING REAR BAKED			€ 56.02
505030M KIT MAINT PRINT HEAD PA/PT			€ 195.57
505030-01	PRINT HEAD ASSY	1	
505030L	INSTALLATION INSTRUCTION	1	
505040M KIT MAINT PRINT MECH PA400			€ 185.74
505040-01	PRINT MECHANISM ASSY	1	
505040L	INSTALLATION INSTRUCTION	1	
505185M KIT MAINT DC ADAPTER 24V			€ 116.95
505185	DC ADAPTER 24V ASSY	1	
52500L	INSTALLATION INSTRUCTION	1	
505311PM KIT MAINT PACKAGING DETAIL PA400			€ 49.14

Zebra Technologies Europe Ltd
Zebra Brand Mobile Euro Printer Price List



PA/PT

Part Number	Description	QTY	List Price (Euro)
55650	CARTON 10X7	1	
505089	INSERT HEXACOMB	1	
505090	CARTON ASSY	1	
505091	INSERT CARTON	1	
505093	BAG	1	
52556M	KIT MAINT DC/DC CONVERTER HOUSING		€ 412.76
52556	DC/DC CONVERTER HOUSING	1	
52500L	INSTALLATION INSTRUCTON	1	
52655M	KIT FORKLIFT PT400		€ 332.17
52506	ARM ASSY	1	
52505	BRACKET ASSY	1	
52505L	INSTALLATION INSTRUCTON	1	
52700M	KIT MAINT MAIN LOGIC BOARD PA/PT		€ 294.83
52700	MAIN LOGIG BOARD	1	
52700L	INSTALLATION INSTRUCTON	1	
562005	PA CABLE HRNS MAIN	1	€ 78.62
562005M	KIT CABLE HRNS/COVER PA400		€ 108.10
505111-01	TOP DOOR ASSY	1	
505144	CLIP CABLE	1	
562005L	INSTALLATION INSTRUCTON	1	
580012M	KIT MAINT RBN SENSOR PT		€ 34.40
580012	RIBBON SENSOR ASSY		
580013	INSTALLATION INSTRUCTON		
580018M	KIT MAINT PWR SPLY PA400		€ 235.86
580018	POWER SUPPLY BOARD	1	
580018L	INSTALLATION INSTRUCTON	1	

*All bulk quantity part numbers and prices are located within each section.

Zebra Printer Specifications - Labels

Printer Type	Printer	Core Size	Max Roll OD	Min Label Width	Max Label Width*	Min Label Thickness	Max Label Thickness
High-End / Mid-Range	S600™	76mm	200mm	19.0mm	114mm	0.058mm	0.305mm
	S4M™	25/76mm	152/200mm	19.0mm	114mm	0.076mm	0.25mm
	Z4MPlus™	76mm	200mm	25.4mm	114mm	0.058mm	0.25mm
	Z6MPlus™	76mm	200mm	50.8mm	178mm	0.058mm	0.25mm
	105SL™	76mm	200mm	20.1mm	115mm	0.076mm	0.305mm
	2746e™	76mm	200mm	28.6mm	114mm	0.076mm	0.25mm
	110XIIIPlus™	76mm	200mm	20.1mm	114mm	0.076mm	0.305mm
	140XIIIPlus™	76mm	200mm	39.9mm	140mm	0.076mm	0.305mm
	170XIIIPlus™	76mm	200mm	50.8mm	180mm	0.076mm	0.305mm
220XIIIPlus™	76mm	200mm	108.0mm	224mm	0.076mm	0.305mm	
Desktop	LP 2824™	25/38mm	127mm	25.4mm	60mm	0.076mm	0.191mm
	LP 2824-Z™	25/38mm	127mm	25.4mm	60mm	0.076mm	0.191mm
	TLP 2824™	25/38mm	127mm	25.4mm	60mm	0.076mm	0.191mm
	TLP 2824-Z™	25/38mm	127mm	25.4mm	60mm	0.076mm	0.191mm
	LP 2844™	25/38mm	127mm	25.4mm	108mm	0.076mm	0.191mm
	LP 2844-Z™	25/38mm	127mm	25.4mm	108mm	0.076mm	0.191mm
	TLP 2844™	25/38mm	127mm	25.4mm	108mm	0.076mm	0.191mm
	TLP 2844-Z™	25/38mm	127mm	25.4mm	108mm	0.076mm	0.191mm
	TLP 3842™	25mm	127mm	25.4mm	108mm	0.076mm	0.191mm
TLP 3844-Z™	25/38mm	127mm	25.4mm	108mm	0.076mm	0.191mm	
Mobile	Cameo® 2	19mm	56mm	19.0mm	53.3mm	0.076mm	0.13mm
	Cameo 3	19mm	56mm	19.0mm	78.7mm	0.076mm	0.13mm
	QL 220™	19mm	56mm	15.9mm	53.8mm	0.064mm	0.165mm
	QL 220 Plus™	19mm	56mm	15.9mm	53.8mm	0.064mm	0.165mm
	QL 320™	19mm	67mm	31.8mm	79.2mm	0.064mm	0.165mm
	QL 320 Plus™	19mm	67mm	31.8mm	79.2mm	0.064mm	0.165mm
	QL 420™	19mm	67mm	50.8mm	104.6mm	0.064mm	0.165mm
	QL 420 Plus™	19mm	67mm	50.8mm	104.6mm	0.064mm	0.165mm
	RW 220™	19mm	57mm	25.4mm	60mm	0.05mm	0.16mm
	RW 420™	19mm	57mm	50.8mm	104.6mm	0.05mm	0.16mm
MZ 220™	19mm	48mm	TBA	TBA	0.05mm	0.102mm	
MZ 320™	19mm	48mm	TBA	TBA	0.05mm	0.102mm	

* For tags and receipts add 3mm to the printer Max Label Width.

**Zebra Technologies Europe Ltd
Euro Price List**

Zebra ZipShip Labels

For Cameo 2 Mobile Printers

Suggested List Price

Z-Perform 1000D 80 Receipt

Formerly Direct Tag 850

Rolls supplied on 19mm cores

Part Number	Size W x H (mm)	Length	Rolls/ box	Approx weight/ box (kg)	Price per roll €
3003061	50 x cont.	19 metres	20	1.7	2.34

Rolls are sold in box quantities only

Zebra ZipShip Labels

For Cameo 3 Mobile Printers

Suggested List Price

Z-Perform 1000D 80 Receipt

Formerly Direct Tag 850

Rolls supplied on 19mm cores

Part Number	Size W x H (mm)	Length	Rolls/ box	Approx weight/ box (kg)	Price per roll €
3003070	75.4 x cont.	21 metres	20	2.5	3.56

Rolls are sold in box quantities only

**Zebra Technologies Europe Ltd
Euro Price List**

Zebra ZipShip Labels

For RW220 Mobile Printers

Suggested List Price

Z-Perform 1000D 60 Receipt

Formerly RW2024E

Rolls supplied on 19mm cores

Part Number	Size W x H (mm)	Length	Rolls/ box	Approx weight/ box (kg)	Price per roll €
3004537	50 x cont.	32 metres	18	1.6	3.50

Rolls are sold in box quantities only

Z-Perform 1000D 80 Receipt

Formerly Direct Tag 850

Rolls supplied on 19mm cores

Part Number	Size W x H (mm)	Length	Rolls/ box	Approx weight/ box (kg)	Price per roll €
3003061	50 x cont.	19 metres	20	1.7	2.34

Rolls are sold in box quantities only

Zebra ZipShip Labels

For RW420 Mobile Printers

Suggested List Price

Z-Perform 1000D 60 Receipt

Formerly RW2024E

Rolls supplied on 19mm cores

Part Number	Size W x H (mm)	Length	Rolls/ box	Approx weight/ box (kg)	Price per roll €
3004596	101.6 x cont.	30 metres	16	3.1	3.86

Rolls are sold in box quantities only

Z-Perform 1000D 80 Receipt

Formerly Direct Tag 850

Rolls supplied on 19mm cores

Part Number	Size W x H (mm)	Length	Rolls/ box	Approx weight/ box (kg)	Price per roll €
3003072	101.6 x cont.	27.4 metres	16	3.5	4.24

Rolls are sold in box quantities only

**Zebra Technologies Europe Ltd
Euro Price List**

Zebra ZipShip Labels

For MZ220 Mobile Printers

Suggested List Price

Z-Perform 1000D 60 Receipt

Formerly RW2024E

Rolls supplied on 19mm cores

Part Number	Size W x H (mm)	Length	Rolls/ box	Approx weight/ box (kg)	Price per roll €
3006138-T	50.8 x cont.	20.3 metres	30	TBA	2.57

Rolls are sold in box quantities only

Z-Perform 1000D 80 Receipt

Formerly Direct Tag 850

Rolls supplied on 19mm cores

Part Number	Size W x H (mm)	Length	Rolls/ box	Approx weight/ box (kg)	Price per roll €
3006129-T	50.8 x cont.	14.6 metres	30	TBA	2.01

Rolls are sold in box quantities only

Zebra ZipShip Labels

For MZ320 Mobile Printers

Suggested List Price

Z-Perform 1000D 60 Receipt

Formerly RW2024E

Rolls supplied on 19mm cores

Part Number	Size W x H (mm)	Length	Rolls/ box	Approx weight/ box (kg)	Price per roll €
3006132-T	76.2 x cont.	20.3 metres	30	TBA	3.54

Rolls are sold in box quantities only

Z-Perform 1000D 80 Receipt

Formerly Direct Tag 850

Rolls supplied on 19mm cores

Part Number	Size W x H (mm)	Length	Rolls/ box	Approx weight/ box (kg)	Price per roll €
3006131-T	76.2 x cont.	14.6 metres	30	TBA	2.78

Rolls are sold in box quantities only

**Zebra Technologies Europe Ltd
Euro Price List**

Zebra ZipShip Labels

For QL220 Mobile Printers

Suggested List Price

Z-Perform 1000D 80 Receipt

Formerly Direct Tag 850

Rolls supplied on 19mm cores

Part Number	Size W x H (mm)	Length	Rolls/ box	Approx weight/ box (kg)	Price per roll €
3003061	50 x cont.	19 metres	20	1.7	2.34

Rolls are sold in box quantities only

Z-Select 2000D

Formerly Direct 2100

Rolls supplied on 19mm cores

Part Number	Size W x H (mm)	Labels/R oll	Rolls/ box	Approx weight/ box (kg)	Price per roll €
3003060	50.8 x 38.1	250	20	1.8	2.68
3003059	50.8 x 50.8	185	20	1.8	2.68

Supplied with black mark between labels

Rolls are sold in box quantities only

PolyPro 4000D

Formerly PolyPro Direct 2100

Rolls supplied on 19mm cores

Part Number	Size W x H (mm)	Labels/R oll	Rolls/ box	Approx weight/ box (kg)	Price per roll €
3003347	50.8 x 25.4	340	20	1.9	5.58

Supplied with perforation and black mark between labels

Rolls are sold in box quantities only