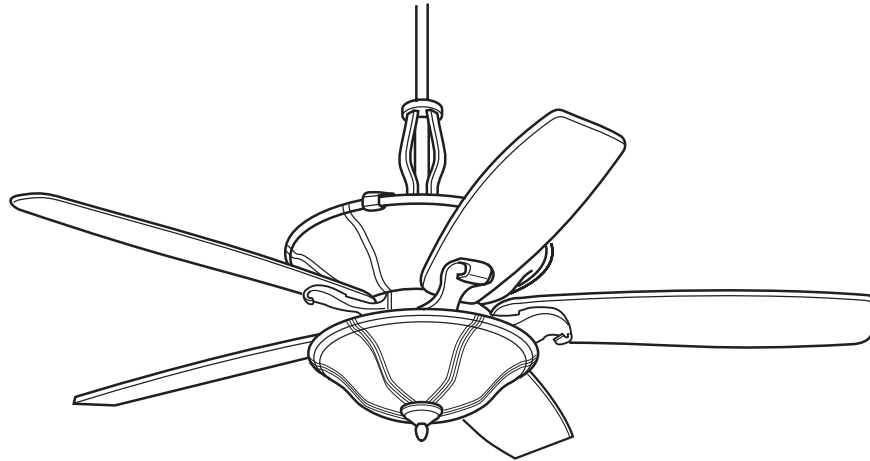


READ AND SAVE THESE INSTRUCTIONS



EMERSON™

LA FAYETTE™

**Ceiling Fan
Owner's Manual**

Model Numbers

CF820ORB00
Oil Rubbed Bronze

CF820PW00
Pewter

Net Weight: **37.0** Lbs.

⚠ WARNING

WARNING: To avoid fire, shock, and serious personal injury, follow these instructions.

Safety Instructions

1. Read your owner's manual carefully and keep it for future reference
2. Before attempting installation, servicing or cleaning unit, switch power off at service panel and lock service panel disconnecting means to prevent power from being switched on accidentally. When the service disconnecting means cannot be locked, securely fasten a warning device, such as a tag, to the service panel.
3. Be careful of the fan and blades when cleaning, painting, or working near the fan. Always turn off the power to the ceiling fan before servicing.
4. Do not put anything into the fan blades while they are turning.

Additional Safety Instructions for Installation

1. To avoid possible shock, be sure electricity is turned off at the fuse box before wiring, and do not operate fan without blades.
2. All wiring must be in accordance with the National Electrical Code "ANSI/NFPA 70-1999" and Local Electrical Codes. Use the National Electrical Code if Local Codes do not exist. The ceiling fan must be grounded as a precaution against possible electrical shock. Electrical installation should be made or approved by a licensed electrician.
3. The outlet box and joist must be securely mounted and capable of reliably supporting a least 50 pounds. Use only U.L. outlet boxes listed as "Acceptable for Fan Support of 50 lbs. or Less", and use the mounting screws provided with the outlet box. Most outlet boxes commonly used for support of light fixtures are not acceptable for fan support and may need to be replaced. Consult a qualified electrician if in doubt.
4. The longer downrod (12") furnished with the ceiling fan provides the minimum recommended floor-to-fan blade clearance for a 9-foot ceiling. The 6" downrod (supplied) is to be used for shorter ceilings.
5. The fan must be mounted with the fan blades at least 7 feet from the floor to prevent accidental contact with th fan blades.
6. Follow the recommended instructions for the proper method of wiring your ceiling fan. If you do not know enough about electrical wiring, have your fan installed by a licensed electrician.

NOTE: This fan is suitable for use with solid-state speed controls.

WARNING: To reduce the risk of fire or electric shock, this fan should only be used with fan speed control SW105, manufactured by Rhine Electric Co., Ltd.

WARNING: To avoid fire, shock or injury, do not use an Emerson or any other brand of control not specifically approved for this fan.

WARNING: This product is designed to use only those parts supplied with this product and/or any accessories designated specifically for use with this product by Emerson Electric Co. Substitution of parts or accessories not designated for use with this product by Emerson Electric Co. could result in personal injury or property damage.

WARNING: To reduce the risk of personal injury, do not bend the blade flange when installing the blade flanges, balancing the blades or cleaning the fan. Do not insert foreign objects in between rotating fan blades.

WARNING: To reduce the risk of electrical shock, this fan must be installed with a general use, isolating wall control/switch.

**FOR CANADA, THIS FAN MUST BE SECURED DIRECTLY TO THE BUILDING STRUCTURE/CEILING JOIST.
DO NOT SECURE THIS FAN TO AN OUTLET BOX.**

DATE CODE: _____

The date code of this fan may be found on the box, stamped in ink on a white label.

You should record this data above and keep it in a safe place for future use.

This Manual Is Designed to Make it as Easy as Possible for You to Assemble, Install, Operate and Maintain Your Ceiling Fan

Tools Needed for Assembly

One stepladder
 One wire stripper
 One Phillips head screwdriver
 Four 15-watt (max.) candelabra base bulbs (not supplied)
 Three 40-watt (max.) candelabra base bulbs (not supplied)

Installed Wire Length	Wire Size A.W.G.
Up to 50 ft.	14
50-100 ft.	12

MATERIALS

Wiring outlet box and box connectors must be of type required by the local code. The minimum wire would be a 3-conductor (2-wire with ground) of the wire size, to right:

WARNING

If you feel you do not have enough wiring knowledge or experience, have your fan installed by a licensed electrician.

Unpacking Instructions

For your convenience, check-off boxes are provided next to each step. As each step is completed, place a check mark in the box. This will insure that all steps have been completed and will be helpful in finding your place should you be interrupted.

WARNING

Do not install or use fan if any part is damaged or missing. Call Toll-Free:

1-800-654-3545

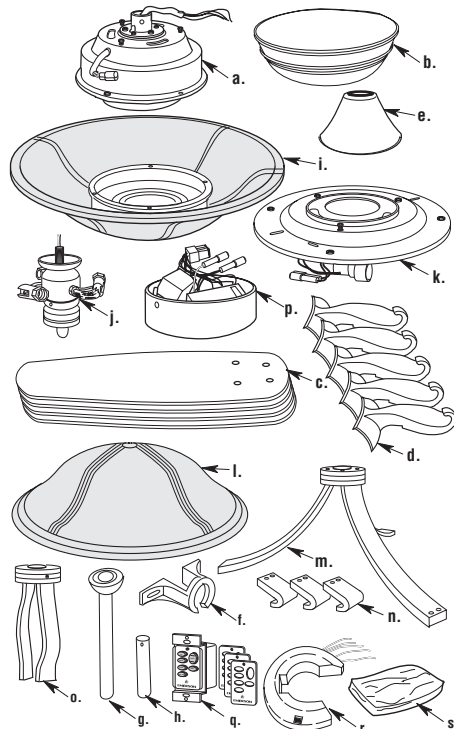
WARNING

This product is designed to use only those parts supplied with this product and/or any accessories designated specifically for use with this product by Emerson Electric Co. Substitution of parts or accessories not designated for use with this product by Emerson Electric Co. could result in personal injury or property damage.

7. One hairpin clip
8. One clevis pin
9. Twenty-one #10-32 x 8mm pan head screws
10. Twenty-one #10 flat washers
11. Eleven 1/4-20 x 16mm oval head screws
12. Four #8-32 x 10mm flat head screws
13. Five #10-32 x 10mm flat head screws and lockwashers
14. One balancing kit

NOTE: Place the parts from the loose parts bags in small containers to keep them from being lost. If any parts are missing, contact your local retailer or catalog outlet for replacement before proceeding.

1. Open styrofoam unit containing fan. Remove upper and center sections of styrofoam unit. Remove parts and check to see that you have received the following:
- a. One Fan Motor and Housing Assembly
 - b. One Ceiling Cover
 - c. Five Fan Blades
 - d. Five Flange Assemblies
 - e. One Coupling Cover
 - f. One Hanger Bracket
 - g. One 12" Downrod/Hanger Ball Assembly
 - h. One 6" Downrod
 - i. One Upper Light Kit Assembly
 - j. One Lower Light Fitter Assembly
 - k. One Upper Light Kit Glass Shade Assembly
 - l. One Lower Light Kit Glass Shade
 - m. One Decorative Lower Scroll
 - n. Three Decorative Scroll Ends
 - o. One Decorative Upper Scroll
 - p. One Switch Cup Assembly
 - q. One SW116 Fan/Light Wall Control (transmitter)
 - r. One SW105 Receiver
 - s. One loose parts bag containing:
 1. One 1/8-27 NPS nut
 2. One split lockwasher
 3. Two #8-32 x 1-1/4" threaded studs
 4. Five 12GA wire nut connectors
 5. Two #8-32 knurled knobs
 6. Two #8 external tooth lockwashers



IMPORTANT: Your ceiling fan is supplied with an SW116 Fan/Light Wall Control (transmitter) and a remote control SW105 Receiver which mounts under the ceiling cover. This system allows you to regulate your ceiling fan speed, airflow direction, and light intensity. An optional Emerson Electric SR110 Remote Control may also be used.

IMPORTANT: Your ceiling fan will not function properly and may be damaged, if used with any wall dimmer switch or control other than the Emerson controls listed above.

Electrical Requirements

Your new ceiling fan will require a grounded electrical supply line of 120 volts AC, 60 Hz, 15 amp circuit.

The outlet box must be securely anchored and capable of withstanding a load of at least 50 pounds.

⚠ WARNING

To reduce the risk of fire, electric shock, or personal injury, mount fan to outlet box marked "Acceptable for Fan Support of 50 lbs. or Less", and use screws supplied with outlet box. Most outlet boxes commonly used for support of light fixtures are not acceptable for fan support and may need to be replaced. Consult a qualified electrician if in doubt.

If your fan is to replace an existing ceiling light fixture, turn electricity off at the main fuse box at this time and remove the existing light fixture.

⚠ WARNING

Turning off wall switch is not sufficient. To avoid possible electrical shock, be sure electricity is turned off at the main fuse box before wiring. All wiring must be in accordance with national and local codes and the ceiling fan must be properly grounded as a precaution against possible electrical shock.

⚠ WARNING

To avoid possible fire or shock, follow all wiring instructions carefully. Any electrical work not described in these instructions should be done or approved by a licensed electrician.

Preliminary Procedures

IMPORTANT: Before assembling your ceiling fan, refer to sections "Setting Operating Frequency of Wall Control and Receiver" and "Installation of Wall Control", Page 11. These sections instruct you how to:

- a. Set the operating frequency of the fan/light wall control and the remote control receiver.
- b. Install the fan/light wall control in the wall box. You will then be ready to proceed with the assembly and installation of your ceiling fan.

Ceiling Fan Assembly Procedures

1. Place the flange onto the blade. Secure the flange to the blade using the four #10-32 x 8mm pan head screws and four #10 flat washers (supplied). Repeat for the four remaining blades. (Figure 1)

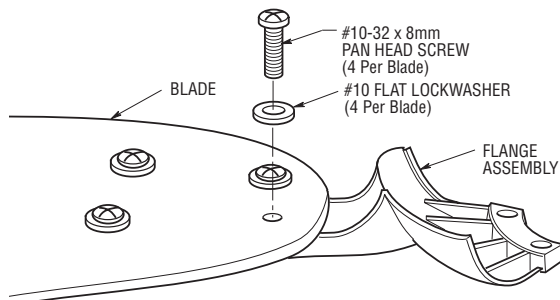


Figure 1

2. Place the upper glass shade into the styrofoam for fan motor assembly.
3. Attach the fan motor assembly to the upper glass shade using the four #10-32 x 10mm pan head screws and lockwashers (supplied) (Figure 2).

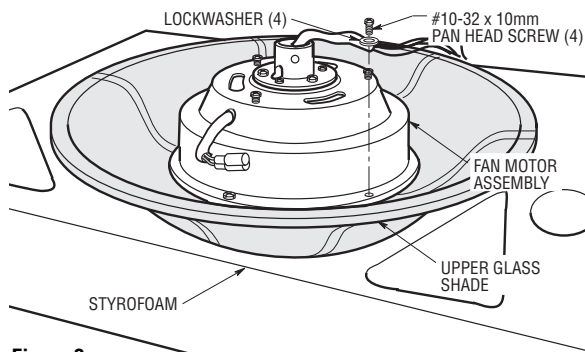


Figure 2

4. Carefully turn the partially assembled fan motor upside down and place into the styrofoam for blade assembly installation.
5. Rotate the switch housing plate to align the holes in the blade flange assembly with the holes in the motor housing (Figure 3).

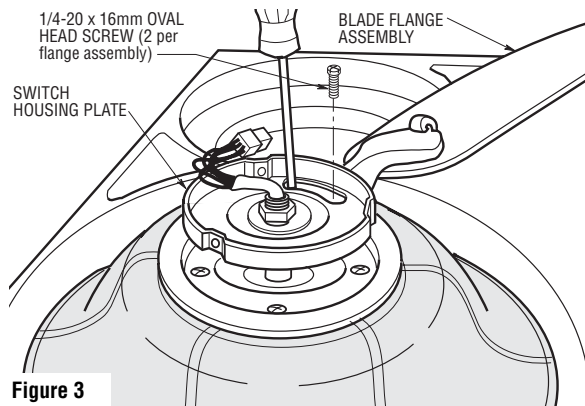


Figure 3

NOTE: Take care not to scratch fan housing when installing blades.

 WARNING
<p>To reduce the risk of personal injury, do not bend the blade flange when installing the blade flanges, balancing the blades or cleaning the fan. Do not insert foreign objects in between rotating fan blades.</p>

- 6. Loosely attach the flange assembly using two 1/4-20 x 16mm oval head screws (supplied) (Figure 3). Install the remaining four fan blades assemblies using the same procedure.
- 7. Gently snug all flange screws to the motor housing, working around the housing in a clockwise sequence. Failure to follow this procedure could result in fan wobble. This completes the blade installation.
- 8. Carefully turn the partially assembled fan/blade assembly upright and rest the assembly onto the styrofoam to continue the assembly.
- 9. Connect the fan motor housing yellow wire single-pin connector to the black wire single-pin connector from the uplight kit assembly; connect the fan motor housing white wire single-pin connector to the white wire single-pin connector from the uplight kit assembly (Figure 4). Be sure all wire connectors are fully engaged.

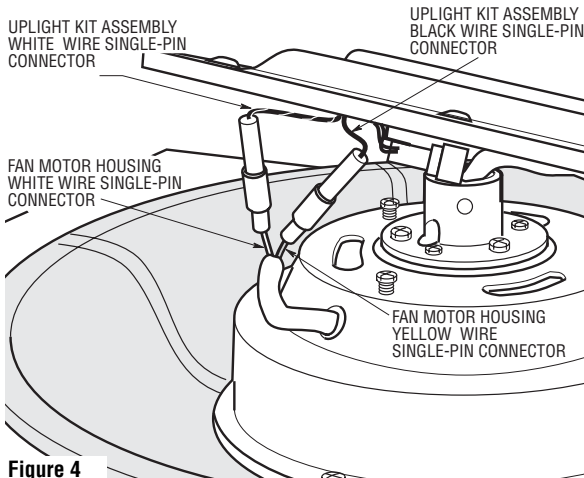


Figure 4

CAUTION: Before installing and tightening the screws, be sure there are no wires pinched between the fan motor housing and the uplight kit assembly.

- 10. Unscrew and save one of the three #8-32 x 10mm flat head screws in the fan motor housing. (Figure 5).
- 11. Make sure all wires and single-pin connectors are inside the uplight kit assembly, then position the light kit assembly on the fan motor housing so that the holes line up.
- 12. Rotate the uplight kit assembly clockwise to engage the keyhole slots (Figure 5). Secure the light kit assembly to the fan motor housing by threading the previously removed screw into the remaining hole. Tighten the three screws at this time.

NOTE: Be sure wires and connectors are not pinched under the uplight kit assembly before securing the uplight kit assembly.

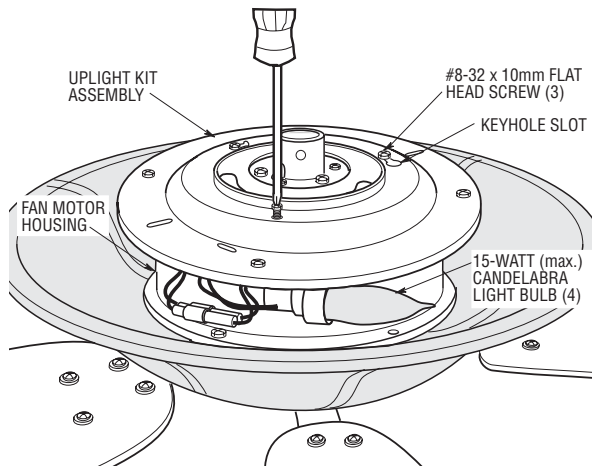


Figure 5

- 13. Install four 15-watt (maximum) candelabra light bulbs (not supplied) in the uplight sockets (Figure 5).
- 14. Obtain the hanger ball/downrod assembly and remove the hanger ball by loosening the setscrew in the hanger ball until the ball falls freely down the downrod (Figure 6). Remove the pin from the downrod, then remove the hanger ball. Retain the pin and hanger ball for reinstallation in Step 25. Discard the 12" downrod if using the 6" downrod.

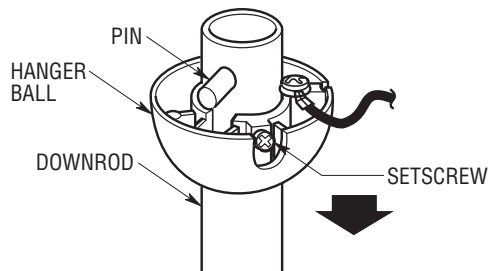


Figure 6

NOTE: The longer downrod (12") furnished with the ceiling fan provides the minimum recommended floor-to-fan blade clearance for a 9-foot ceiling. The 6" downrod (supplied) is to be used for shorter ceilings.

- 15. Separate, untwist and unkink the black, white and blue motor wires and the yellow uplight lead. Route these wires through the downrod.
- 16. Slide the downrod down the wires and seat the downrod in the motor coupling (Figure 7).

- 17. Loosen the two setscrews in motor coupling if necessary. Separate, untwist and unkink the three 80" motor leads. Route the motor lead wires through the desired downrod. Align the clevis pin holes in the downrod with the holes in the motor coupling. Install the clevis pin and secure with the hairpin clip (Figure 7). The clevis pin must go through the holes in the motor coupling and the holes in the downrod. Be sure to push the straight leg of the hairpin clip through the hole near the end of the clevis pin until the curved portion of the hairpin clip snaps around the clevis pin. The hairpin clip must be properly installed to prevent the clevis pin from working loose. Pull on the downrod to make sure the clevis pin is properly installed.

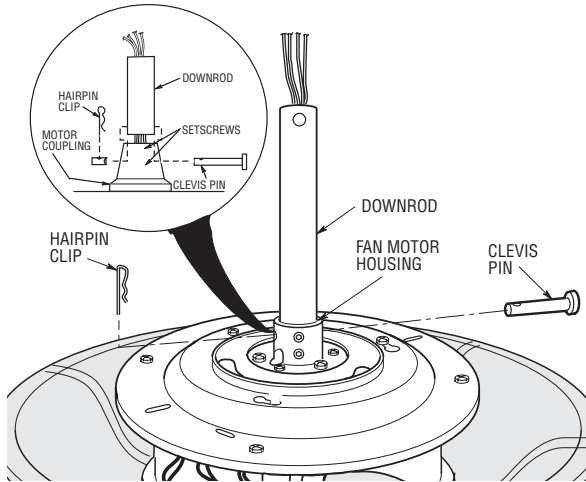


Figure 7

⚠ WARNING

It is critical that the clevis pin in the motor coupling is properly installed and the setscrew securely tightened. Failure to verify that the pin and setscrew are properly installed could result in the fan falling.

- 18. While pulling up on the downrod, securely tighten the two setscrews in the motor coupling (Figure 8).

NOTE: The two setscrews must be properly installed as described above, or fan wobble could result.

- 19. Be sure the grommet is properly installed in the coupling cover, then slide the coupling cover on the downrod until it rests on the motor housing. Be sure that the coupling cover is oriented correctly (Figure 8).

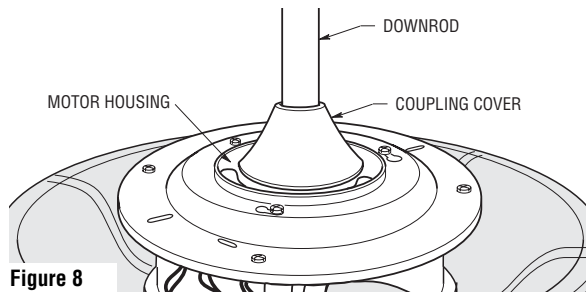


Figure 8

IMPORTANT

- A. If you have installed the 12" or optional longer downrod and are planning to install the decorative scrolls, proceed with Step 20.
- B. If you have installed the 6" downrod, skip Step 20 and continue with Step 24.

- 20. **12" Or Optional Longer Downrod Installation ONLY:** Slide the decorative lower scroll over the 12" downrod to rest upon the fan motor housing (Figure 9).

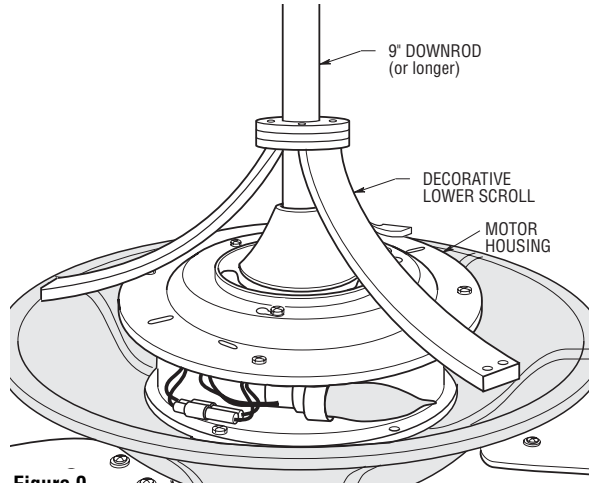


Figure 9

- 21. Position the decorative scroll end over the edge of the upright glass shade and slide into one of the legs of the decorative lower scroll.
- 22. Assemble the scroll end and lower scroll using the two screws (supplied). Assemble the remaining two legs and ends as described (Figure 10).

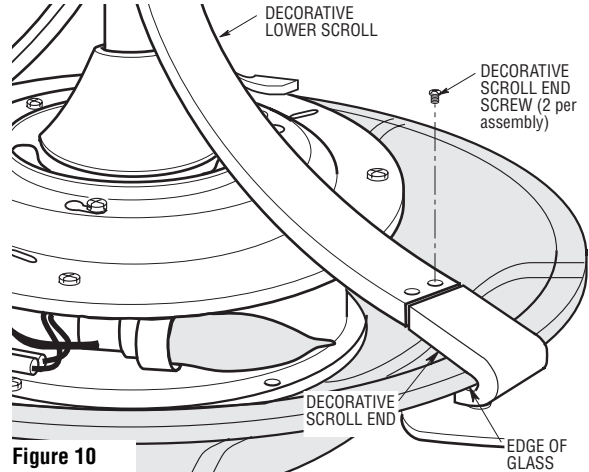


Figure 10

- 23. Slide the decorative upper scroll over the downrod engaging the pin of the decorative lower scroll into one hole of the decorative upper scroll and secure screw in collar of the decorative upper scroll (Figure 11).
- 24. Position the ceiling cover over the downrod. Be sure the cover is oriented correctly, with the large opening at the top (Figure 11).

- 25. Reinstall the hanger ball on the downrod as follows. Route the motor leads through the hanger ball and slide the hanger ball over the downrod (Figure 11). Install the pin through the holes at the top of the downrod and slide the hanger ball up the downrod, aligning the ball so the pin is captured in the groove in the top of the hanger ball. Pull the hanger ball up tight against the pin and securely tighten the setscrew in the hanger ball. A loose setscrew could create fan wobble.
- 26. The blue, black, white, and yellow leads exiting the downrod are 80-inches long. Before installing the fan, measure up approximately 6 to 9-inches above the ball/downrod assembly. Cut off excess leads and strip back insulation 1/2-inch from end of leads.

⚠ WARNING

It is critical that the pin in the hanger ball is properly installed and the setscrew securely tightened. Failure to verify that the pin and setscrew are properly installed could result in the fan falling.

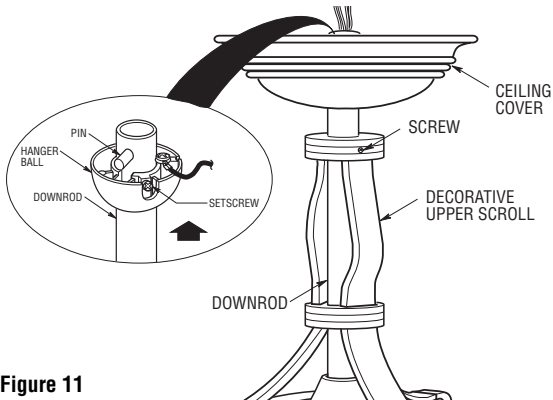


Figure 11

- 27. You have now completed the initial assembly of your new ceiling fan. You can now proceed with hanging and wiring your fan.

How to Hang Your Ceiling Fan

⚠ WARNING

The fan must be hung with at least 7' of clearance from floor to blades (Figure 12). Do NOT hang this fan on an 8' ceiling when using the 12" downrod.

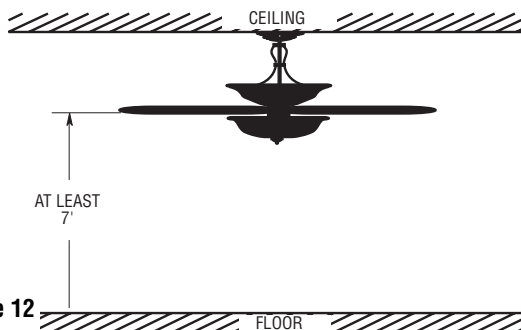


Figure 12

⚠ WARNING

The outlet box and joist must be securely mounted and capable of supporting at least 50 lbs. Use only a U.L. outlet box listed as "Acceptable for Fan Support of 50 lbs. or Less".

- 1. Securely attach the hanger bracket to the outlet box using the two screws supplied with the outlet box (Figure 13).

⚠ WARNING

To reduce the risk of fire, electric shock, or personal injury, mount fan to outlet box marked "Acceptable for Fan Support of 50 lbs. or Less", and use screws supplied with outlet box. Most outlet boxes commonly used for support of light fixtures are not acceptable for fan support and may need to be replaced. Consult a qualified electrician if in doubt.

⚠ WARNING

Hanger bracket must seat firmly against outlet box. If the outlet box is recessed, remove wall board until bracket contacts box. If bracket and/or outlet box are not securely attached, the fan could wobble or fall.

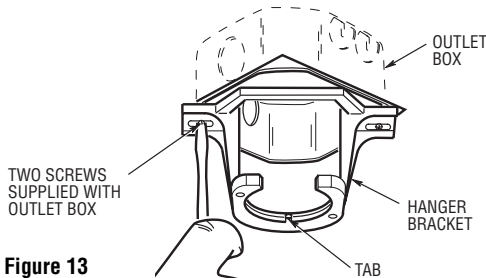


Figure 13

- 2. Carefully lift the fan and seat the hanger ball/downrod assembly on the hanger bracket that was just attached to the outlet box (Figure 14). Be sure the groove in the ball is lined up with tab on the hanger bracket (Figure 13).

⚠ WARNING

Failure to seat tab in groove could cause damage to electrical wires and possible shock or fire hazard.

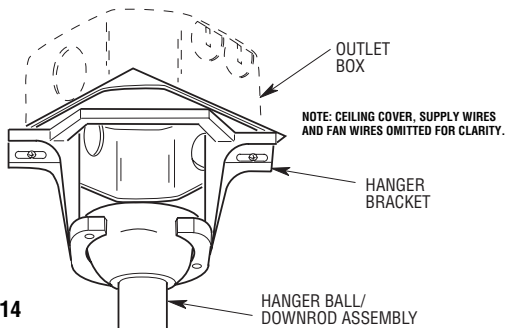



Figure 14

⚠ WARNING

To avoid possible fire or shock, do not pinch wires between the hanger ball/downrod assembly and the hanger bracket.

How to Wire Your Ceiling Fan

If you feel that you do not have enough electrical wiring knowledge or experience, have your fan installed by a licensed electrician.

 WARNING
<p>Turning off wall switch is not sufficient. To avoid possible electrical shock, be sure electricity is turned off at the main fuse or circuit breaker box before wiring. All wiring must be in accordance with National and Local codes and the ceiling fan must be properly grounded as a precaution against possible electrical shock.</p>

CAUTION: To reduce the risk of electrical shock, disconnect the electrical supply circuit before installing the fan and light kit or receiver.

1. Pull the wire leads, coming from the end of the downrod, and the supply wires through the open side of the hanger bracket. (Figure 15).
2. Position the SW105 Receiver (supplied) in the ceiling cover so that the flat side of the receiver faces up and the open portion of the receiver is to the right, as shown in Figure 15.
3. Using wire connectors (supplied), make wiring connections as follows (Figure 15 and 16):
 - a. Connect the white fan wire and the white supply wire to the white receiver wire (AC IN/MOTOR N).
 - b. Connect the black fan wire to the black receiver wire (TO MOTOR L).
 - c. Connect the black supply wire to the black/white receiver wire (AC IN L).
 - d. Cut off the ends of the blue and yellow receiver wires and strip back insulation 1/2-inch from the ends of the wires (if required, these ends may already be stripped).
 - e. Connect the blue fan wire to the blue receiver wire (BOTTOM LIGHT).
 - f. Connect the orange fan wire to the yellow receiver wire (UPPER LIGHT).
 - g. Connect the green ground wires from the hanger bracket and the hanger ball to the supply ground wire (bare or green).

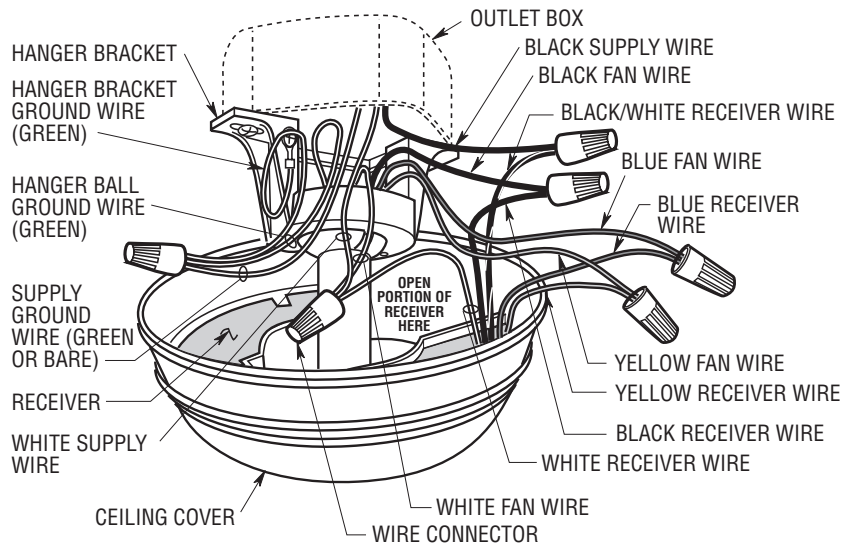


Figure 15

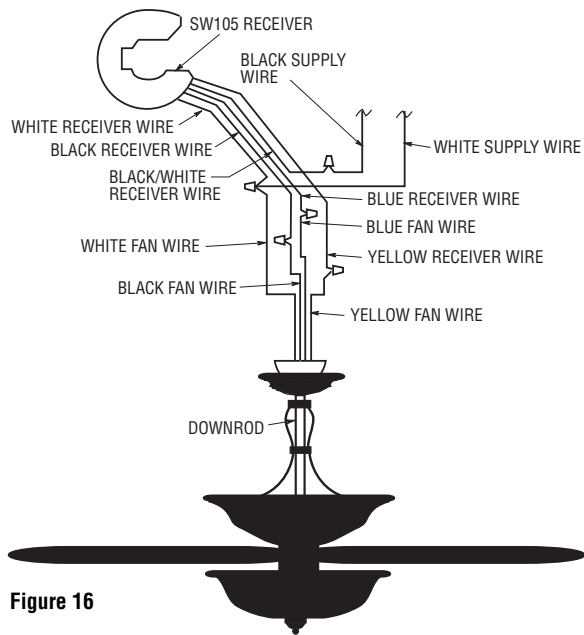


Figure 16

⚠ WARNING

Check to see that all connections are tight, including ground, and that no bare wire is visible at the wire connectors, except for the ground wire. Do not operate fan until blades are in place. Noise and fan damage could result.

- 4. After connections have been made, separate the white and green wires from the black, blue and orange wires.
- 5. Carefully turn the wires upward and insert them up through the open side of the hanger bracket and into the outlet box. Push the green equipment/earth ground and white grounded neutral wires into one side of the outlet box; push the black, blue and yellow ungrounded wires into the other side of the outlet box.

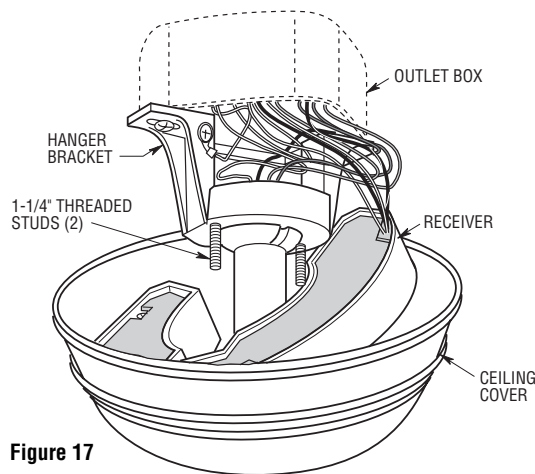


Figure 17

- 6. Screw the two 1-1/4" threaded studs (supplied) into the tapped holes in the hanger bracket (Figure 17).

- 7. Lift the ceiling cover up to the threaded studs and turn until studs protrude through the holes in the ceiling cover (Figure 18).
- 8. Secure the ceiling cover in place by installing two lockwashers and two knurled knobs (supplied) (Figure 18). Tighten the knurled knobs securely until the ceiling cover fits snugly against the ceiling and the hole in the ceiling cover is clear of the downrod.
- 9. Your ceiling fan is now installed and wired. Proceed to Switch Housing/Downlight Kit Installation to complete your fan installation.

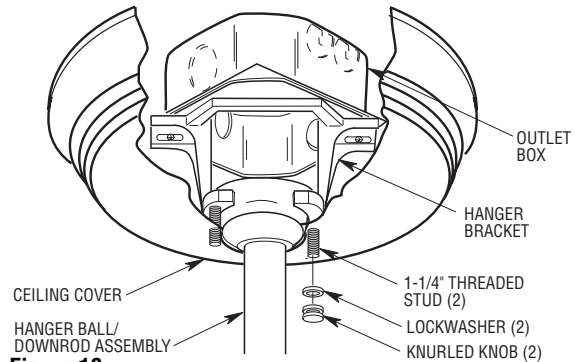


Figure 18

⚠ WARNING

To avoid possible fire or shock, make sure that the electrical wires are completely inside the outlet box and not pinched between the ceiling cover and the ceiling.

Switch Housing Installation

NOTE: If no downlight is desired, continue with switch housing installation.

NOTE: Do not install the downlight fitter assembly.

- 1. Attach the 9-pin connector of the switch housing to the 9-pin connector of the fan assembly. (Figure 19).
- 2. Place the switch housing onto the switch housing plate aligning the three holes. Secure the switch housing using three screws (supplied).
- 3. Screw the switch housing center plug into place.

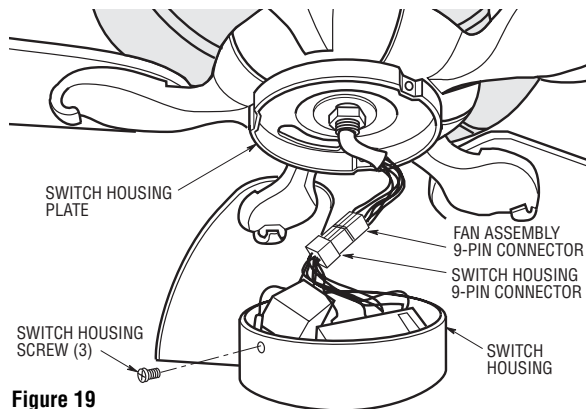


Figure 19

- 4. Your ceiling fan is now installed ready to be controlled by your remote control system.

Switch Housing/Downlight Installation

NOTE: Perform the steps in this section only if the downlight is desired.

CAUTION: To reduce the risk of electrical shock, disconnect the electrical supply circuit to the fan before installing light kit.

- 1. Remove the center housing plug from the switch housing for downlight kit assembly.
- 2. Slide the two connectors and wires from the downlight kit assembly into the switch housing hole (Figure 20).
- 3. Screw the downlight kit assembly onto switch housing. Install hex jam nut and nut (supplied in parts bag) onto threaded nipple inside of switch housing and securely tighten.
- 4. Connect the downlight kit assembly black wire connector to the switch housing blue wire connector. Connect the downlight kit assembly white wire connector to the switch housing white wire connector (Figure 20).

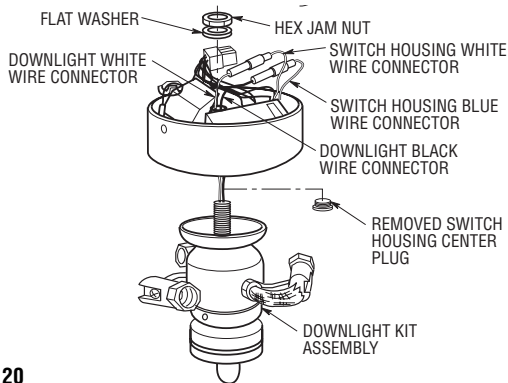


Figure 20

- 5. Attach the 9-pin connector of the switch housing to the 9-pin connector of the fan assembly. (Figure 21).

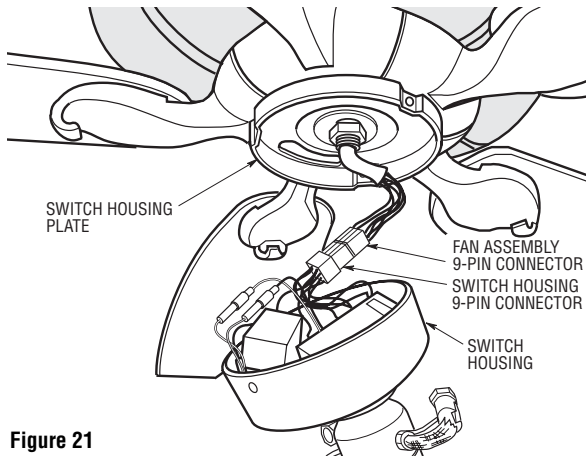


Figure 21

- 6. Position the switch housing assembly onto the switch housing plate and secure using the three switch housing screws (supplied) (Figure 22).
- 7. Install three 40-watt (max.) candelabra light bulbs (not supplied) into the downlight sockets (Figure 22).

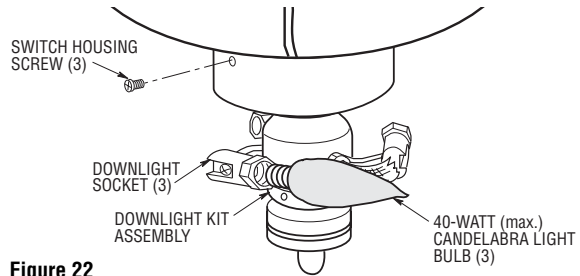


Figure 22

- 8. Remove the rubber washer, flat washer, hex jam nut, cap and finial from the downlight kit assembly.
- 9. Install downlight glass shade and reassemble the rubber washer, flat washer, hex jam nut, cap and finial. Gently secure to avoid damage to glass shade (Figure 23).

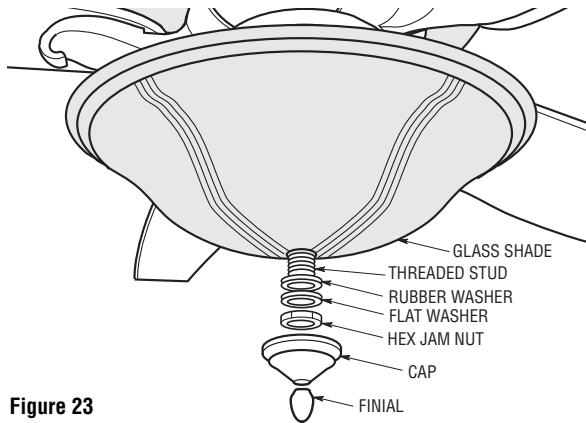


Figure 23

- 10. Your ceiling fan is now installed ready to be controlled by your remote control system.

Setting Operating Frequency of Wall Control and Receiver (Figure 24)

Your wall control and receiver have code switches which must be set in one of 16 possible code combinations. The four levers (numbered 1, 2, 3, and 4) on the switches are factory-set in the ON (up) position. Change the switch settings as follows:

1. Slide the four switch levers in the wall control to your choice of ON (up) or down positions. Use a ball-point pen or small screwdriver and slide the levers firmly up or down.
2. In the receiver, slide the four switch levers to the same positions as set in the wall control. Make sure the levers on both switches are in the same positions, otherwise the fan will not operate.

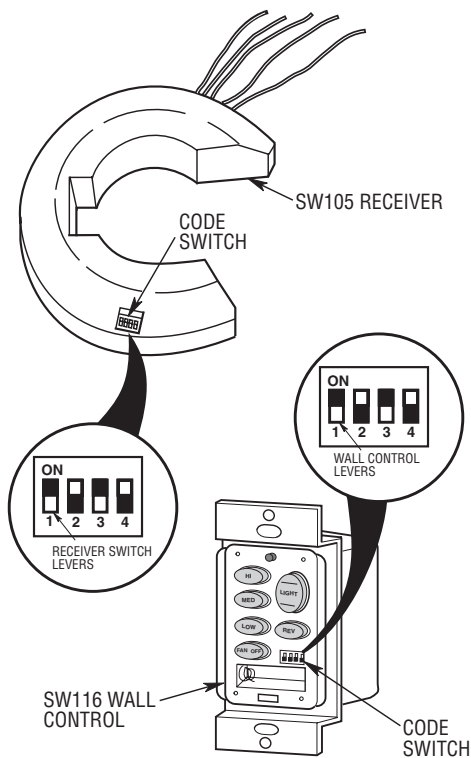


Figure 24

Installation of Wall Control

⚠ WARNING

Turning off wall switch is not sufficient. To avoid possible electrical shock, be sure electricity is turned off at the main fuse or circuit breaker box.

The SW116 wall control transmits the command signals via radio waves to the SW105 receiver installed in the ceiling fan ceiling cover. The SW105 receiver is required for the SW116 wall control to function. Power for the SW116 wall control comes from the 12V battery, located in the wall control.

Replacement 12V batteries recommended are Duracell MN21, Eveready A23, and GP23A.

1. Install the 12V battery (supplied) into the wall control (Figure 25).
2. The SW116 wall control is supplied with a white, ivory or almond color cover. Choose the style that best suits your needs and snap the cover onto the wall control (Figure 25).

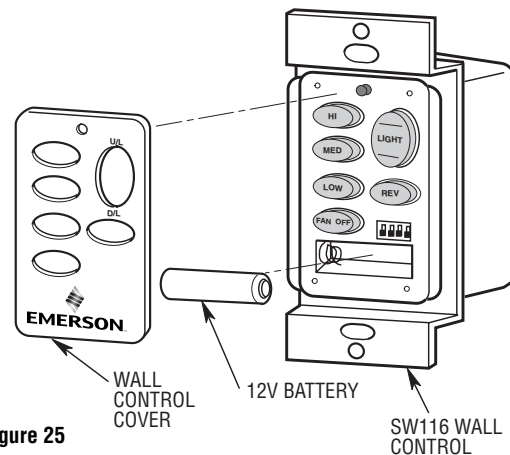


Figure 25

3. Install the wall control onto the outlet box using the supplied screws (Figure 26).
4. Install decorator wallplate (not included) using the two screws provided with the wall plate. Leave wall control in "OFF" mode until fan installation is completed (Figure 26).

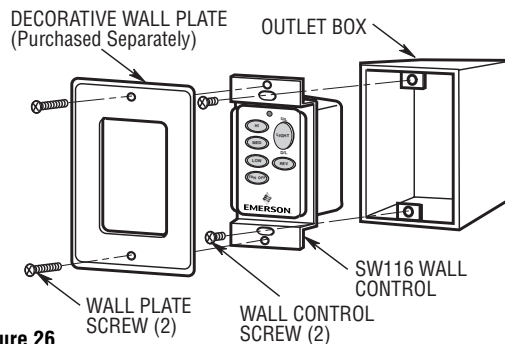


Figure 26

Operating Your Ceiling Fan

IMPORTANT

Fan installation must be completed, including the installation of the fan blades, before testing of the remote control.

Your SW116 Fan/Light Wall Control (Figure 27) has full control of your fan, lights, and airflow direction.

1. To set the desired fan speed, push the HI, MED, or LOW buttons to operate your fan on high, medium or low speed (See Figure 27).
2. To reverse the direction the fan is turning, press the REV button. The direction the fan turns will change each time the REV button is pressed. The fan must be running when the REV button is pressed for the direction to change.
3. To turn your fan off, press the FAN OFF button.
4. To set the level of light brightness, press and hold the U/L (uplight) button or the D/L (downlight) button (if downlight kit is added to fan). The light brightness will continue to increase then decrease while the button is held down. When the light is at the desired brightness, release the button.

5. To turn the lights on and off, press and release the U/L (uplight) button or the D/L (downlight) button (if downlight kit is added to fan). The lights will turn on at the light level previously set (see Step 4).

Red light turns on when any button is pressed. If the light does not come on, replace your battery.

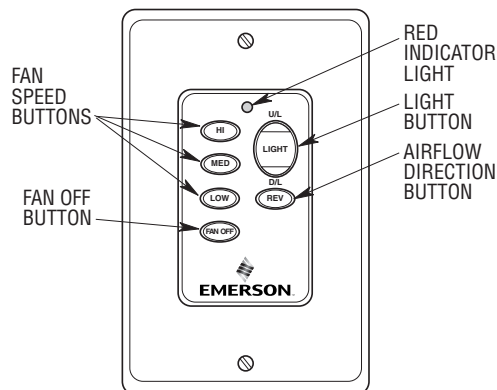


Figure 27

INSTRUCTION TO THE USER (if device contains a digital device)

This equipment has been tested and found to comply with the limits for a class B digital device, pursuant to part 15 of the FCC Rules. These limits are designed to provide reasonable protection against harmful interference in a residential installation. This equipment generates, uses and can radiate radio frequency energy and if no installed and used in accordance with the instructions, may cause harmful interference to radio communications. However, there is not guarantee that interference will not occur in a particular installation. If this equipment does cause harmful interference to radio or television reception, which can be determined by turning the equipment off and on, the user is encouraged to try to correct the interference by one or more of the following measures:

- Reorient or relocate the receiving antenna.
- Increase the separation between the equipment and receiver.
- Connect the equipment into an outlet on a circuit different from that to which the receiver is connected.
- Consult the dealer or an experienced radio/TV technician for help.

This equipment has been certified to comply with the limits for a class B computing device, pursuant to FCC Rules. In order to maintain compliance with FCC regulations, shielded cables must be used with this equipment. Operation with non-approved equipment or unshielded cables is likely to result in interference to radio and TV reception. The user is cautioned that changes and modifications made to the equipment without the approval of manufacturer could void the user's authority to operate this equipment.

This Class B digital apparatus meets all requirements of the Canadian Interference-Causing Equipment Regulations.

Maintenance

IMPORTANT CARE INSTRUCTIONS for your Ceiling Fan

Periodic cleaning of your new ceiling fan is the only maintenance that is needed.

When cleaning, use only a soft brush or lint free cloth to avoid scratching the finish.

Abrasive cleaning agents are not required and should be avoided to prevent damage to finish.

WARNING

Do not use water when cleaning your ceiling fan. It could damage the motor or the blades and create the possibility of an electrical shock.

NOTE: Periodically check the tightness of the knurled knobs securing the light kit glass in the light kit adapter. Tighten if necessary.

Accessories

- 1. Ceiling Fan Controls (see store or catalog).
- 2. Downrod Extension Kits (see store or catalog).

WARNING

The use of any other control not specifically approved for this fan could result in fire, shock and personal injury.

WARNING

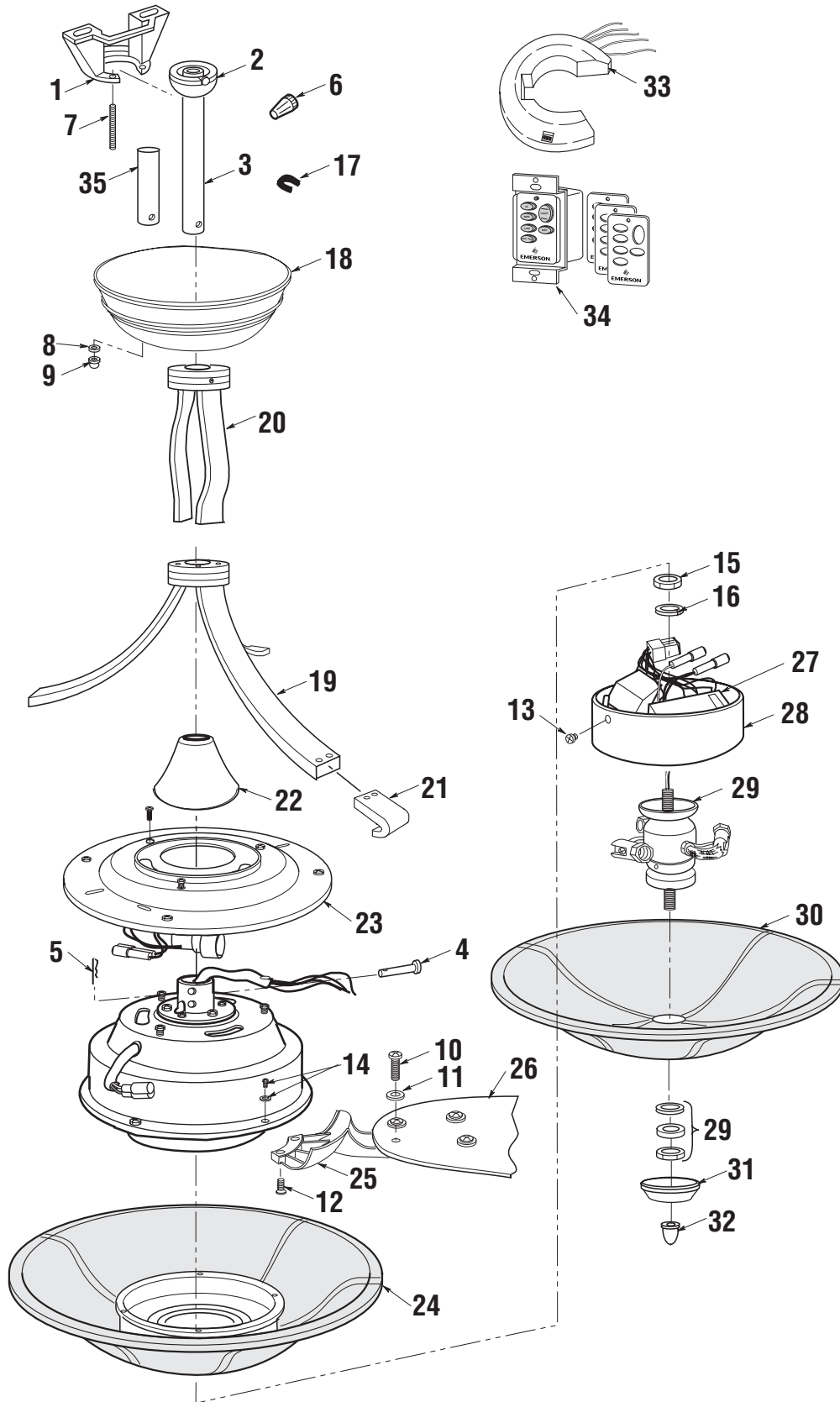
This product is designed to use only those parts supplied with this product and/or any accessories designated specifically for use with this product by Emerson Electric Co. Substitution of parts or accessories not designated for use with this product by Emerson Electric Co. could result in personal injury or property damage.

 **WARNING:** For your own safety, turn off power at fuse box or circuit breaker before trouble shooting your fan.

Trouble Shooting

TROUBLE	PROBABLE CAUSE	SUGGESTED REMEDY
1. Fan will not start.	<ol style="list-style-type: none"> 1. Fuse or circuit breaker blown. 2. Loose power line connections to the fan. 3. Fan/Light Wall Control is OFF. 4. Code switches in remote control/receiver are not set in the same position. 	<ol style="list-style-type: none"> 1. Check main and branch circuit fuses or circuit breakers. ▲ WARNING: Make sure main power is turned off. 2. Check line wire connections to fan 3. Turn ON Fan/Light Wall Control. 4. Check that both code switches are set in the same positions.
2. Fan sounds noisy.	<ol style="list-style-type: none"> 1. Blades not attached to fan. 2. Screws holding blades to flanges are loose. 	<ol style="list-style-type: none"> 1. Attach blades to fan before operating. 2. Tighten screws securely.
3. Fan wobbles excessively.	<ol style="list-style-type: none"> 1. Setscrew in motor coupling is loose. 2. Setscrew in hanger ball/downrod assembly is loose. 3. Hanger bracket and/or ceiling outlet box is not securely fastened. 4. Fan blades out of balance. 	<ol style="list-style-type: none"> 1. Raise motor cover and tighten setscrew securely. 2. Tighten the setscrew in the hanger ball/downrod assembly. 3. Tighten the hanger bracket screws to the outlet box, and/or secure outlet box. 4. Interchanging an adjacent (side-by-side) blade pair can redistribute the weight and result in smoother operation. Or use supplied balancing kit to balance blades.

Repair Parts



Repair Parts Listing

Key No.	Description	Model No.	
		CF820ORG00	CF820PW00
*	Hanger Pack, Consisting of:	761655-72	761655-73
1	Hanger Bracket (1)	—	—
2	Hanger Ball (1)	—	—
3	Downrod - 12" (1)	—	—
*	Parts Bag Containing:	763488	763488
4	Pin, Clevis (1)	—	—
5	Clip, Hairpin (1)	—	—
6	Connector Wire Nut, 12 GA (5)	—	—
7	Threaded Stud, #8-32 x 1-1/4" (2)	—	—
8	Lockwasher, External Tooth #8 (2)	—	—
9	Knurled Knob, #8-32 (2)	—	—
10	Screw, Pan Head CR #10-32 x 8mm (21)	—	—
11	Washer, Flat #10 (21)	—	—
12	Screw, Oval Head CR 1/4-20 x 16mm (11)	—	—
13	Screw, Flat Head #8-32 x 10mm (4)	—	—
14	Screw, Pan Head & Lockwasher #10-32 x 10mm (5)	—	—
15	Nut, 1/8-27 NPS (1)	—	—
16	Lockwasher, Split (1)	—	—
17	Balancing Kit (1)	—	—
18	Cover, Ceiling (1)	763472-ORB	763472-PW
19	Decorative Lower Scroll (1)	763530-ORB	763530-PW
20	Decorative Upper Scroll (1)	763529-ORB	763529-PW
21	Decorative Scroll Ends (3)	763474-ORB	763474-PW
22	Coupling Cover (1)	762463-ORB	762463-12
23	Upper Light Kit Assembly (1)	763536-ORB	763536-PW
24	Glass, Assembly Upper (1)	763534	763535
25	Flange Assembly (5 per set)	763480-ORB	763480-PW
26	Blade Assembly (5 per set)	763486-ORB	763486-PW
27	Harness, Wiring (Reverse Modular & Aux. Capacitor) (1)	763528	763528
28	Housing, Switch Cup (1)	763484-ORB	763484-PW
29	Lower Light Fitter Assembly (1)	763531	763531
	Washer, Rubber (1)	—	—
	Washer, Flat (1)	—	—
	Jamnut, Hex 1/8-27 NPS (1)	—	—
30	Glass, Lower Shade (1)	763482	763483
31	Cap, Finial (1)	763532-ORB	763532-PW
32	Nut, Finial (1)	763533-ORB	763533-PW
33	Receiver, Remote Control SW105 (1)	762401	762401
34	Transmitter, Remote Control SW116 (1) & 3 Faceplates	763310	763310
35	Downrod, Short 6" (1)	761631-80	761631-81
—	Owner's Manual	BP7351	BP7351

Before discarding packaging material, be certain all parts have been removed.

HOW TO ORDER REPAIR PARTS

WHEN ORDERING REPAIR PARTS, ALWAYS GIVE THE FOLLOWING INFORMATION:

- PART NUMBER
- PART DESCRIPTION
- NAME OF ITEM
- MODEL NUMBER

The model number of your Fan will be found on a label attached to the top housing.

For repair parts, phone 1-800-654-3545.

LIMITED WARRANTY

What The Warranty Covers:

This warranty covers the motor and the other components and accessories of your Emerson Electric Co. ceiling fan against all defects in workmanship and materials. You must be the original purchaser or user of the product to be covered.

What The Period Of Coverage Is:

As it applies to the motor, this warranty will last for a lifetime from the date you purchased your ceiling fan. All other components and accessories are covered by this warranty for one year from the date you purchased your ceiling fan. ANY IMPLIED WARRANTY OF MERCHANTABILITY OR FITNESS FOR A PARTICULAR PURPOSE, MADE WITH RESPECT TO COMPONENTS AND ACCESSORIES IS ALSO LIMITED TO ONE YEAR.

What Will Emerson Electric Co. Do To Correct Problems:

Emerson Electric Co. will replace a defective Emerson Air Comfort Ceiling Fan motor, blade, component or other accessory at no charge to you. If repair of the motor or blades is not practical or possible within a reasonable time and no replacement can be provided, Emerson Electric Co. will refund the actual purchase price of your fan. **WE WILL SHIP THE REPAIRED PRODUCT OR REPLACEMENT TO YOU AT NO CHARGE, BUT YOU ARE RESPONSIBLE FOR ALL COSTS OF REMOVAL, REINSTALLATION AND SHIPPING OF THE PRODUCT TO EMERSON.**

How Can You Get Service:

YOU MUST HAVE PROOF OF YOUR PURCHASE OF THE CEILING FAN TO OBTAIN LIMITED WARRANTY SERVICE. KEEP YOUR RECEIPT OR OTHER PROOF OF PURCHASE. You can return the product to our factory or to your nearest authorized service center.

- To return the product to the factory, obtain a return authorization and service identification tag by writing to Air Comfort Products, Division of Emerson Electric Co., 8100 W. Florissant Ave., St. Louis, MO 63136. Include all model numbers shown on the product with your request.
- To return the product to an authorized service center, call 1-800-654-3545 for the address of the nearest authorized service center.

You will be responsible for all insurance, freight or other transportation charges to our factory or authorized service center. Your Emerson Air Comfort Ceiling Fan should be properly packed to avoid damage in transit since we will not be responsible for any such damage.

What Is Not Covered:

The glass globes and light bulbs of your ceiling fan are not covered by this warranty. This warranty also does not cover any defects, malfunctions or failures caused by:

- Repairs by persons not authorized by Emerson Electric Co.,
- Use of parts or accessories not authorized by Emerson Electric Co.,
- Mishandling, improper installation, modifications or damage to your ceiling fan while in your possession, or
- Unreasonable use, misuse, abuse, including failing to do reasonable and necessary maintenance, and normal wear and tear.

Additionally, this warranty and any implied warranty of merchantability or fitness for a particular purpose are voided when:

- The original purchaser or user ceases to own the product, or
- The fan is moved from its original point of installation.

This warranty is only valid within the 50 states of the United States and the District of Columbia. No other written or oral warranties apply, and no employee, agent, dealer or other person is authorized to give any warranties on behalf of Emerson Electric Co.

REPAIR, REPLACEMENT OR A REFUND ARE THE EXCLUSIVE REMEDIES AVAILABLE UNDER THIS WARRANTY AND EMERSON ELECTRIC CO. IS NOT RESPONSIBLE FOR DAMAGES OF ANY KIND, INCLUDING INCIDENTAL AND CONSEQUENTIAL DAMAGES. Incidental damages include but are not limited to such damages as loss of time and loss of use. Consequential damages include but are not limited to the cost of repairing or replacing other property which was damaged if this product does not work properly.

How State Law Relates To The Warranty:

Some states do not allow the exclusion or limitation of incidental or consequential damages so the above exclusion or limitation may not apply to you. This warranty gives you specific legal rights, and you may also have other rights which vary from state to state.



EMERSON

Air Comfort Products

DIVISION OF EMERSON ELECTRIC CO.
8100 W. Florissant • St. Louis, MO 63136