

# **JanusRAID II SS-6603S Hardware User Manual**

42-30000-5088

**iSCSI 1Gb to SAS**

**Disk Array System**

**Version 1.1**





# **SS-6603S**

**iSCSI 1Gb to SAS  
Disk Array System**

**Hardware User Manual**



# Table of Contents

Preface.....	i
--------------	---

---

## Chapter 1 System Requirements

Operating Environment .....	1
VT100 Terminal Settings .....	1

---

## Chapter 2 Basic Configuration

Unpacking .....	3
Components .....	4
Closed Front Panel .....	4
Open Front Panel .....	5
Disk Tray .....	6
SS-6603S Rear View .....	7
Installing Disks .....	8
Making Connections .....	10
Connecting the Host Interface .....	10
Connecting a network .....	10
Connecting and Turning on the Power .....	11
Mounting in a Rack .....	12
Installing the Rail Extenders .....	13

---

## Chapter 3 Maintenance

Replacing a Disk .....	15
Replacing a Power Supply .....	16
Upgrading Memory .....	17

---

## Appendix

Hardware Specifications .....	21
-------------------------------	----



# Preface

## About this Manual

This manual is designed to make the disk array system as easy to use as possible. Information contained in this document has been checked for accuracy, but no guarantee is given that the contents are correct. Information and specifications are subject to change without notice.

## Copyright Notice

© Copyright 2007 MaxTronic International Co., Ltd.

All rights reserved. This disk array system and related documentation are protected by copyright and are distributed under licenses restricting their use, copying, and distribution. No part of this documentation may be reproduced in any form by any means without prior written authorization of MaxTronic International Co., Ltd. and its licensors, if any.

## Conventions



### Caution

This symbol is used to remind users to pay attention to important descriptions regarding usage and maintenance (repair) or additional important information related to this disk array system.

---



### Note

This symbol is used to remind users of useful information that can make procedures such as configuration easier to accomplish.

---

## Important Safety Instructions, Care and Handling



Before starting, take a few minutes to read this manual. Read all of these instructions and save this manual for later reference.



Protect the disk array system from extremely high or low temperatures. Let the disk array system warm (or cool) to room temperature before using it.



Protect the disk array system from being bumped or dropped. Do not place the disk array system on an unstable cart, stand, or table. It may fall, causing serious damage to the product.



Keep the disk array system away from magnetic forces.



Do not use the disk array system near water.



Keep the disk array system away from dust, sand, or dirt.



Gaps and openings in the cabinet are provided for ventilation. Never block or cover these openings, because the disk array system may overheat and become unreliable. Don't place the disk array system on a bed, sofa, rug, or other similar surface.



Do not place the disk array system near or over a radiator or other heat source.



Refer to the rating plate for the correct voltage and ensure that the appliance voltage corresponds to the supply voltage.



	<p>The appliance must be grounded. The disk array system is equipped with a 3-wire grounded type of power cord. This power cord will only fit into a grounded type of power outlet.</p>
	<p>If an extension cord or a power center is used with the disk array system, make sure that the total current consumption of all products plugged into the wall outlet does not exceed the ampere rating.</p>
	<p>Do not place the disk array system where the cord will be walked on.</p>
	<p>Never push any kind of object into the disk array system through cabinet gaps and openings, since they may touch dangerous voltage points and cause a risk of fire or electric shock.</p>
	<p>Unplug the power cord from the wall outlet before cleaning. Keep the disk array system dry. Do not use liquid cleaners, aerosol cleaners, or a wet cloth. Use a damp cloth for cleaning.</p>
	<p>Except as specifically explained in this User Manual, do not attempt to service the disk array system by yourself. Opening or removing the covers may expose you to dangerous voltages.</p>
	<p>Unplug this product from the wall outlet and refer servicing to qualified service personnel under the following conditions.</p> <ul style="list-style-type: none"> <li>• If the disk array system has been exposed to water or any liquid.</li> <li>• If the disk array system has been dropped or the cabinet damaged.</li> </ul>
	<p>Users should not remove the cover.</p>
	<p>Disconnect all power supply cords before servicing.</p>

---

### Placement Notes



- The disk array system LCD panel can be damaged by exposure to direct sunlight. Limit exposure to subdued or indirect sunlight only.
  - The disk array system should be used only in clean environments that are free from airborne contaminants such as dust, dirt, and smoke. Excessive moisture or oil particles in the air can also hinder disk array system performance.
  - To reduce the possibility of data errors caused by electromagnetic interference, locate the disk array system at least five feet away from electrical appliances and equipment that generates magnetic fields.
- 

---

### Power Supply Safety Notes



- To avoid electric shocks, do not use an extended power cord or an outlet that does not match the disk array system plug or leaves the plug exposed.
  - The disk array system has a 3-wire grounded plug. The third pin connects to ground; do not remove it.
  - If the power cord or plug is damaged or worn, unplug it immediately and contact a qualified service technician for maintenance.
  - To avoid fire or electric shocks, do not overload electric power outlets.
- 

---

### CAUTION : MULTIPLE POWER SOURCES



Disconnect all AC power cords to completely power from the unit

---

---

### CAUTION



Risk of explosion if battery is replaced by an incorrect type.  
Dispose of used batteries according to the instructions.

---

---

### CAUTION



The thumbscrews on the rear surface shall be secured by the screwdriver, which cannot be loosened by bare hands to prevent the unintentional access to the hazardous parts inside the equipment.

---

# 1 System Requirements

Ensure that the following requirements are met before installing the disk array system.

## Operating Environment

- 15 cm (6-inches) of space around the disk array system for proper ventilation
- ambient temperature of 5°C to 40°C (40°F to 104°F)
- ambient non-condensing relative humidity of 10% to 85%
- dust, smoke, and oil free environment
- no large magnetic fields, such as those generated by a high voltage power cables and motors, etc.
- no direct sunlight
- a flat, stable surface capable of supporting the disk array system

## VT100 Terminal Settings

Refer to the following table for a summary of VT100 terminal settings required to communicate with the disk array system. Refer to your system manual for instructions on setting up the VT100 terminal settings.

Item	Required Setting
Connection	Serial Port (COM1 or COM2)
Protocol	RS232 (Asynchronous)
Cabling	Null Modem cable
Baud Rate	115200
Data Bits	8
Stop Bit	1
Parity	None



# 2 Basic Configuration

This chapter describes disk array system connections and disk installation.

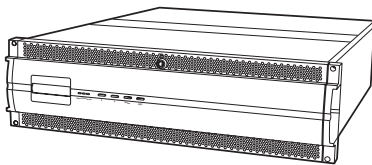
## Unpacking

Contact your supplier if any of the following items are missing or damaged.

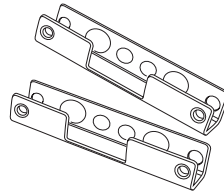


### Caution

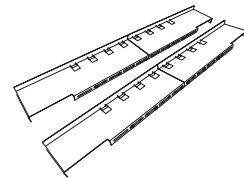
The disk array system is heavy. Be careful when lifting and moving it.



**Disk Array System**



**Rail Extenders**



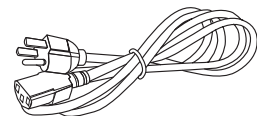
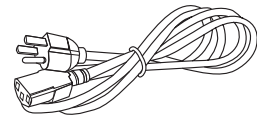
**Rails**



**Hardware and software  
user Manuals**



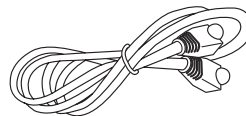
**Front Panel Keys**



**Power Cables**



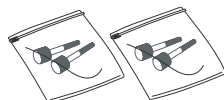
**RS-232 Cable**



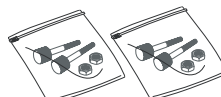
**RJ45 Lan Cable**



**Screw pack**



**Fix Screw pack  
UNC #10-32**



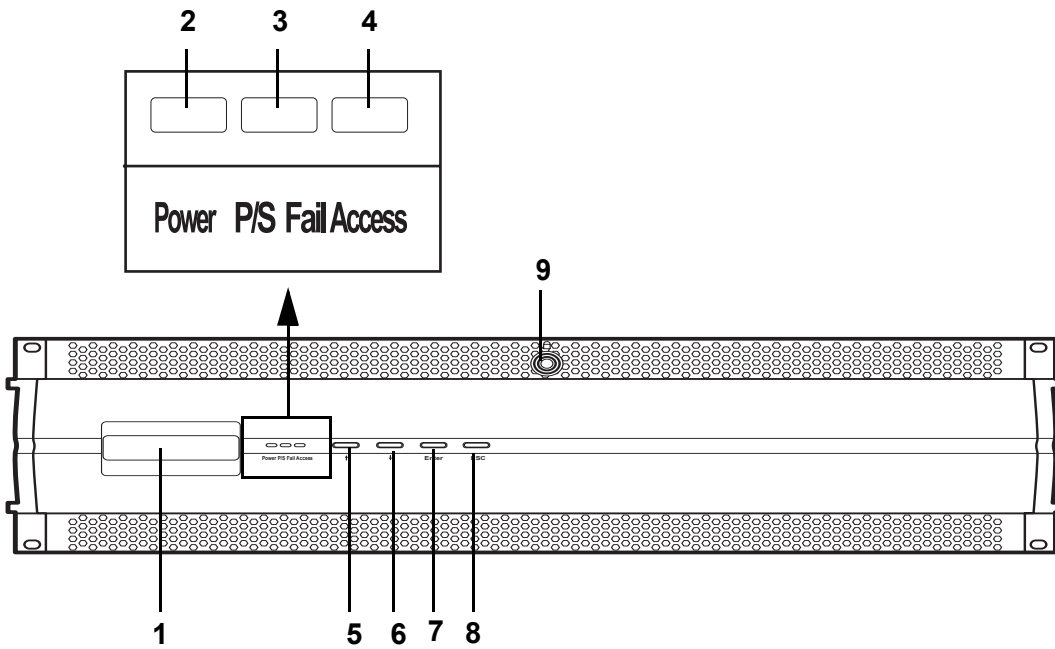
**Fix Screw  
pack M5**



**Fix Screw pack  
M6**

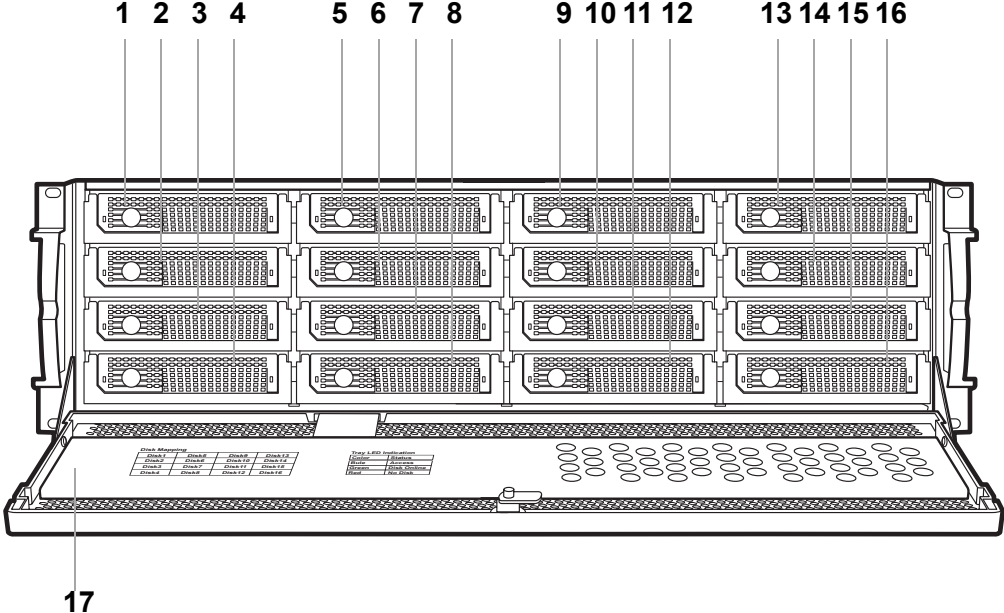
# Components

## Closed Front Panel



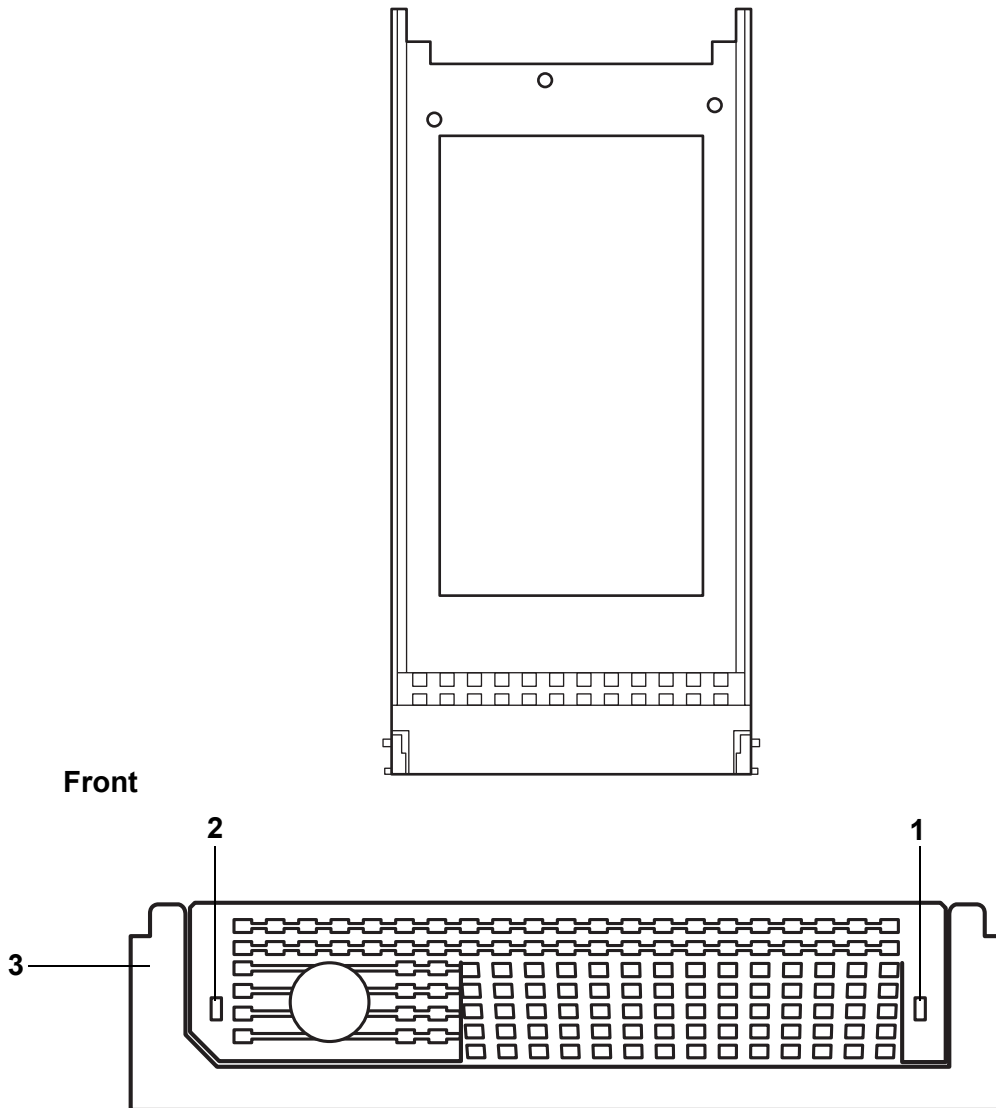
No.	Name	Description
1	LCD panel	Displays warning, operating, and configuration information.
2	Power-on indicator	Indicates the disk array system power is on.
3	Power supply fail indicator	Indicates a failed power supply.
4	Host computer access indicator	Indicates data transfer between the disk array system and the host computer.
5	Up function button	Moves up in the LCD menus.
6	Down function button	Moves down in the LCD menus.
7	Enter function button	Selects a menu item or confirms a choice or entry.
8	Escape function button	Returns to the previous LCD menu without making changes.
9	Lock	Locks front cover.

# Open Front Panel



No	Name	Description
1-16	Disk trays 1-16	Removable hot swap disk trays
17	Front panel door	Protects the disks and houses the LCD panel

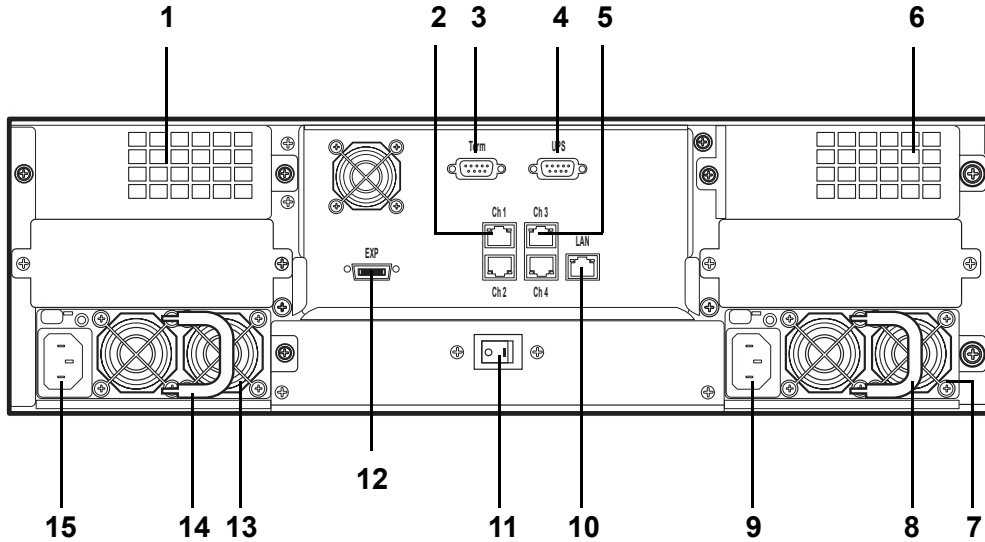
# Disk Tray



No.	Name	Description
1	Power/Error indicator LED	Different colors indicate different disk states: <ul style="list-style-type: none"> <li>• Green – Disk online</li> <li>• Orange – Disk full</li> <li>• Red – No disk</li> </ul>
2	Access indicator LED	This blue LED indicates that the disk is being accessed.
3	Tray handle	Releases the disk tray.



# SS-6603S Rear View

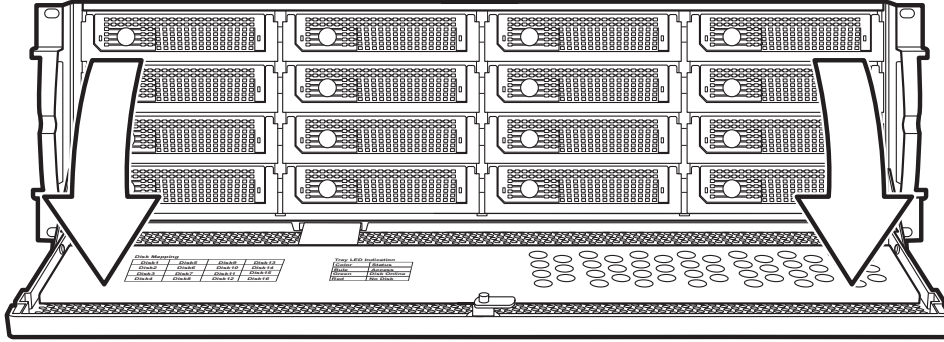


No.	Name	Description
1	Cooling fan 1	System cooling fan.
2	Host Port 1/2 (Primary iSCSI channel)	Connects to the host server.
3	RS-232 Port	Connects to a VT100 terminal or equivalent.
4	UPS port	Data port for uninterruptable power supply.
5	Host Port 3/4 (Secondary iSCSI channel)	Connects to the host server.
6	Cooling fan 2	System cooling fan.
7	Power Supply 2	Removable redundant power supply 2.
8	Power Supply Handle	For power supply removal.
9	Power Supply AC In	Connects to a 100-240 VAC power source.
10	Ethernet Port	Used for browser-based configuration.
11	Power Supply Switch	Switches the power on or off.
12	Expansion Port	Used for JBOD expansion.
13	Power Supply 1	Removable redundant power supply 1.
14	Power Supply Handle	For power supply removal.
15	Power Supply AC In	Connects to a 100-240 VAC power source.

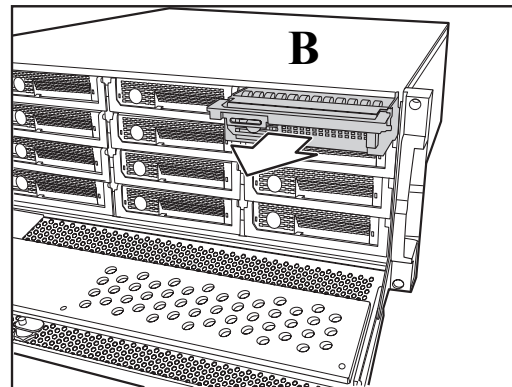
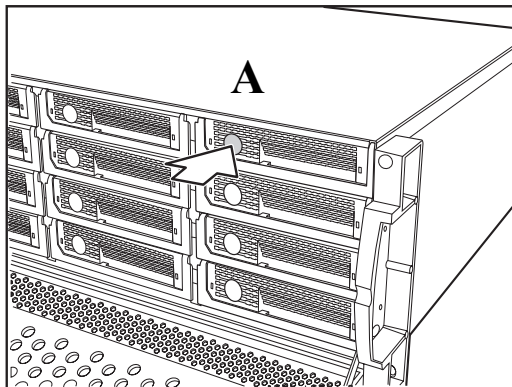
# Installing Disks

This section describes how to install disks in the disk array system.

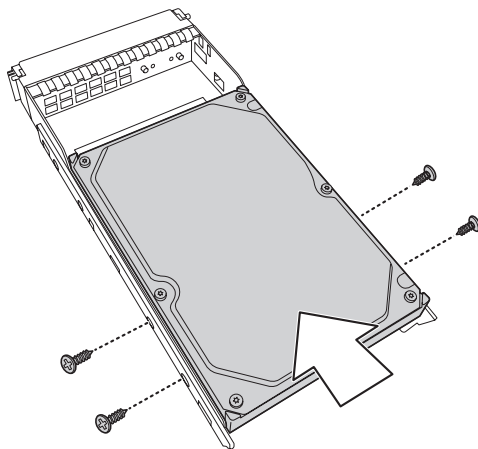
- 1 Unlock the front panel door, then pull it open.



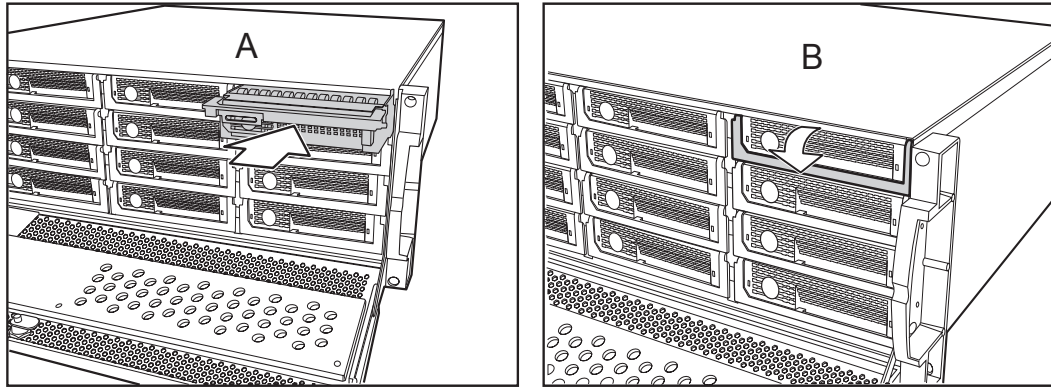
- 2 Push the button (A) to release the disk tray handle. Pull the handle (B) to release the tray.



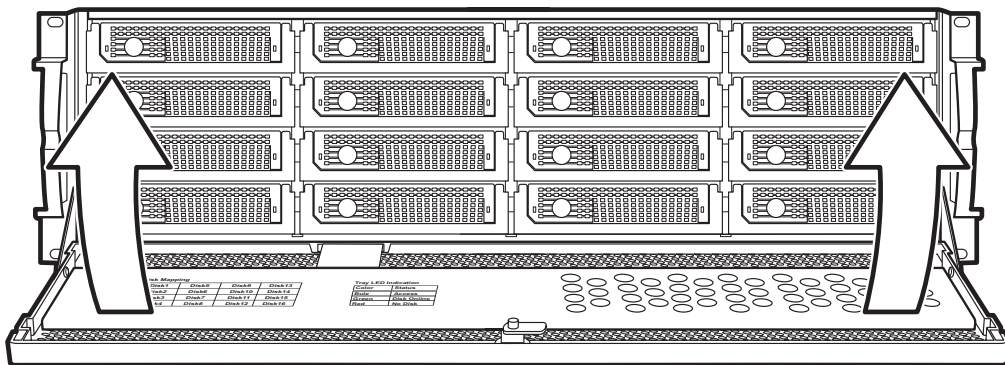
- 3 Align the rear of the disk with the rear of the disk tray.
- 4 Insert the disk into the disk tray and fix into place with screws supplied with the disk.



- Slide the disk tray back into the empty slot (A), then slowly close the disk tray handle (B).



- Repeat steps 2 to 5 until all of the required disks have been installed.
- Push the front panel door closed, and lock it.



# Making Connections

After the required number of disks have been installed, external connections to the disk array system must be made. This section describes how to make all of the necessary connections.

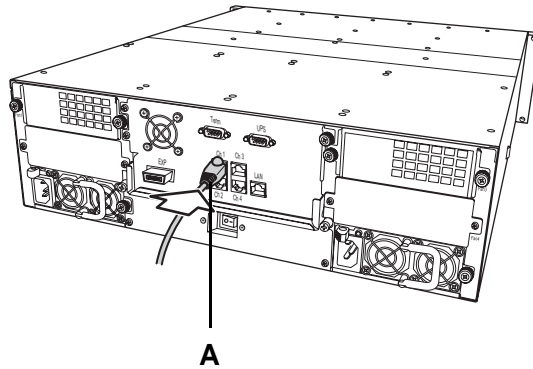
## Connecting the Host Interface

The disk array system has four iSCSI 1Gb interfaces. Refer to the following sections to make host interface connections.

### Internet Small Computer Systems Interface

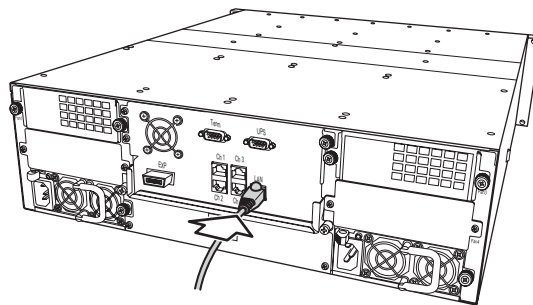
The SS-6603S has network cable interfaces. Follow these instructions to make connections.

- 1 Connect the RJ45 cable (**A**) to the left of the SS-6603S host port 1 (primary iSCSI channel) at the rear of the disk array system.



## Connecting the GUI management port

Connecting the GUI management port by a network cable (standard RJ45) to LAN environment, and after open a web-browser with SS-6603S IP address (Default is DHCP enabled) for easily monitoring / configure RAID system.



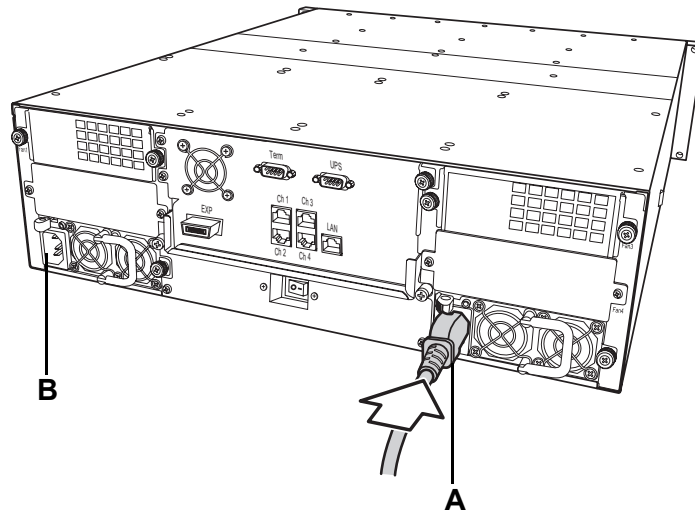
## Connecting and Turning on the Power

- 1 Plug a power cable (**A**) to a power connector at the rear of the unit, then plug the second power supply cable into the second power connector (**B**).



### Note

The system is equipped with auto switching power supplies that can run on 100 to 240 VAC.

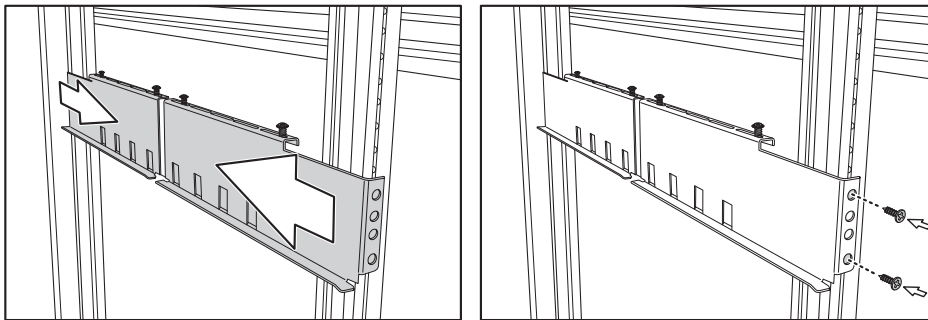


- 2 Switch on both power supplies.

# Mounting in a Rack

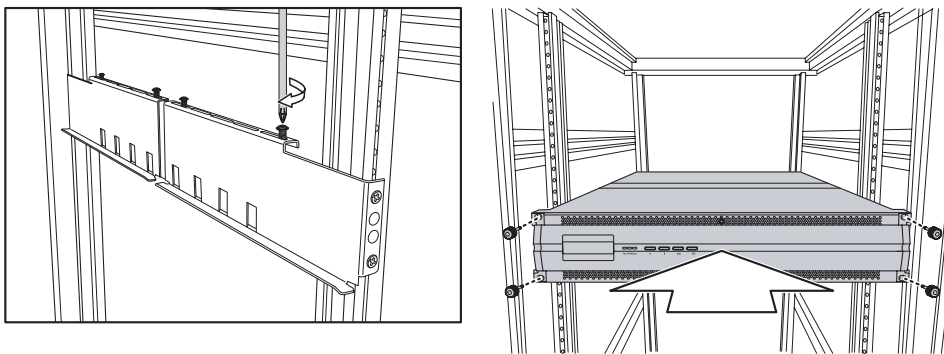
When the disk array system is completely set up, it can be installed in a standard 19-inch rack. Follow the instructions in this section to install the disk array system in a rack.

- 1 Clip eight rack nuts supplied with your rack, into the rack, taking care that they correspond with the mounting points on the rails.
- 2 Extend both of the rails so that they are the right length to fit in your rack.
- 3 Bolt the rails into the rack using the rack bolts supplied with your rack.



You will need four nuts and bolts (not included) for each rail; two at the front and two at the back.

- 4 Tighten the locking screws when they are the correct length.
- 5 Slide the disk array system into the rack and bolt it into place with the supplied fixing screws.



---

### Caution



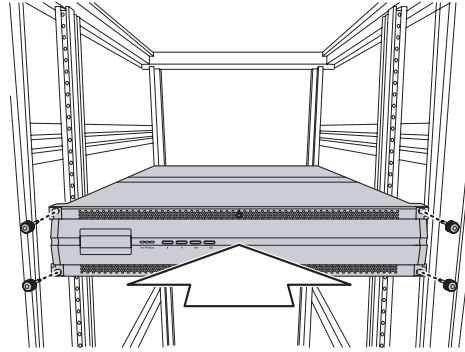
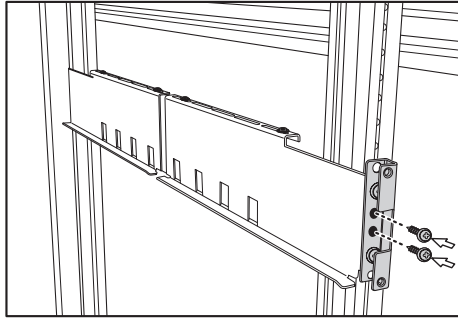
This product is heavy. Attempting to install the disk array system in a rack by yourself could result in injury or damage to the product.

---

## Installing the Rail Extenders

Follow these instructions to fit the rail extenders if required.

- 1 If required, bolt the rail extenders into place as shown using the small bolts provided.
- 2 Slide the disk array system into the rack and bolt it into place with the supplied fixing screws.



### Note

The rail extenders may be required to allow the disk array system room for the front door to open correctly.





# 3 Maintenance

## Replacing a Disk

A disk failure is indicated when the Power/Error LED at the front of the drive tray turns red and the audible alert sounds.

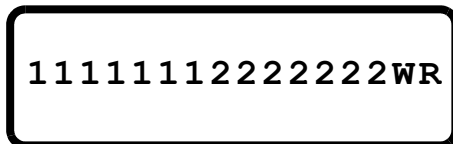


### Note

Turn off the audible alert by pressing the Up ↑ and Down ↓ function buttons on the front panel twice simultaneously.

The LCD panel displays the failure with the symbol “R” or “W”. “R” indicates a disk failure or error, and “W” indicates that there are too many bad sectors on the disk.

### Example:



- Disks 1 to 7 are members of array group 1.
- Disks 8 to 14 are members of array group 2.
- Disk 15 has too many bad sectors.
- Disk 16 has an error or a fault.

Disks are hot swappable, which means that they can be inserted and removed while the disk array system is powered on and operating. Follow these instructions to replace a failed disk.

- 1 Unlock the front panel door, then pull it open.
- 2 Pull the tray handle away from the disk tray to release it; and pull the disk tray out.
- 3 Remove the screws from the failed disk, then remove the disk from the disk tray.
- 4 Align the rear of the new disk with the rear of the disk tray.
- 5 Insert the new disk into the disk tray.



### Note

The new disk must have the same or a greater capacity than the faulty disk that was removed. If the disk capacity is smaller, the audible alert sounds and the auto-rebuild operation doesn't start. For best performance, it is recommended that the new disk be identical to the failed disk.

- 6 Attach the disk to the disk tray with the screws that came with the disk.
- 7 Slide the disk tray back into the empty slot, then close the disk tray handle.
- 8 Push the front panel door closed, and lock it.

# Replacing a Power Supply

The disk array system is equipped with a Power Supply Fail Indicator LED at the front of the unit that turns red when one of the power supplies fails. The message “Power x failure” also appears on the LCD panel, where x refers to power supply 1, or 2, and an audible alert sounds.

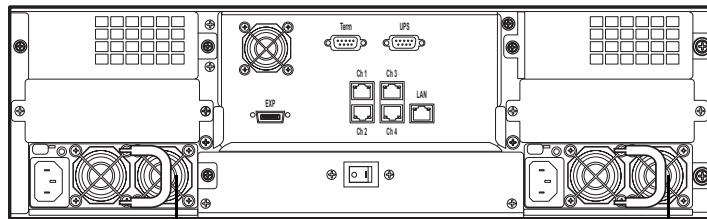


## Note

Turn off the audible alert by pressing the Up ↑ and Down ↓ function buttons on the front panel twice simultaneously.

Power supplies are hot swappable, which means that they can be inserted and removed while the disk array is powered on and operating. Follow these instructions to replace a failed power supply.

- 1 Identify the power supply that has failed.



Power Supply 1

Power Supply 2

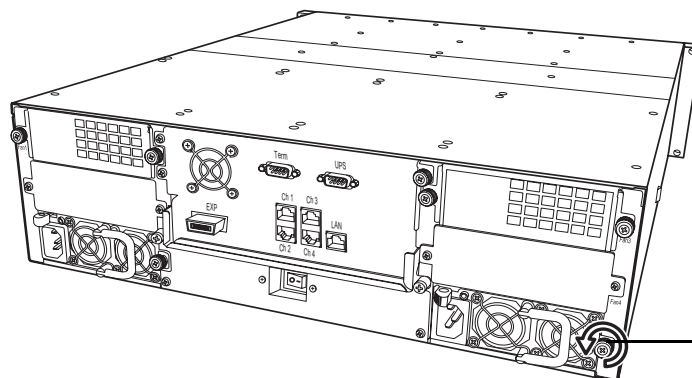
- 2 Remove the power cable from the power supply connector at the rear of the unit.



## Note

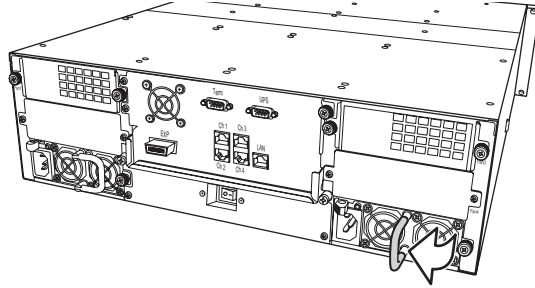
The system is equipped with auto switching power supplies that can run on 100 to 240 VAC.

- 3 Loosen the power supply retaining screw.

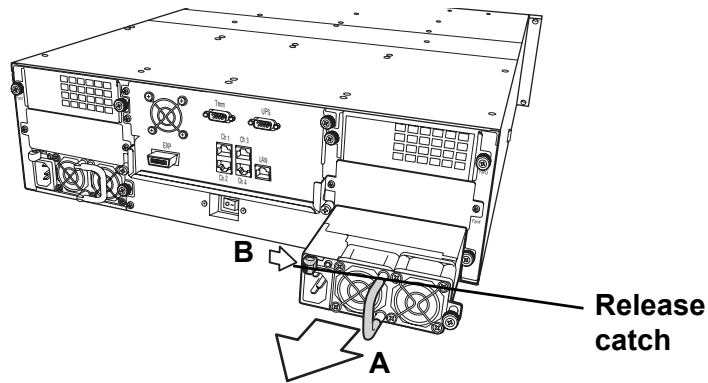


Power Supply retaining screw

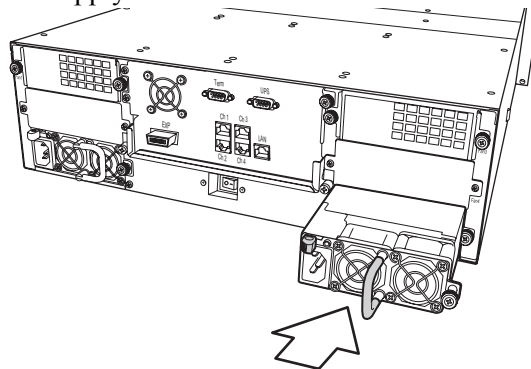
- 4 Pull the power supply handle out.



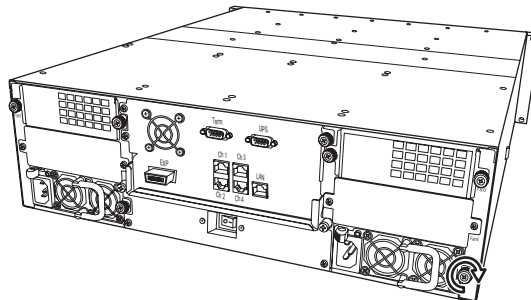
- 5 Remove the faulty power supply by pulling the power supply handle **A** and pressing the release catch **B** at the same time.



- 6 Insert a new power supply.



- 7 Push the power supply handle into place.
- 8 Tighten the power supply thumbscrew.

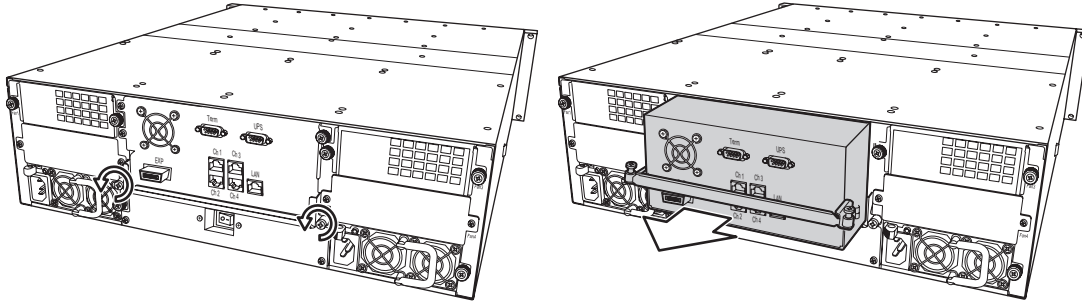


- 9 Reconnect the power cable.

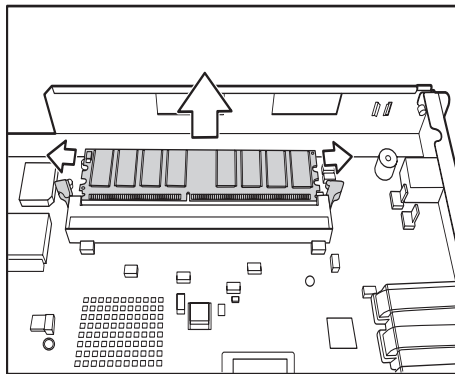
# Upgrading Memory

The disk array system takes a single DDR II 400/533 DIMM with a maximum capacity of 2 GB. Follow these instructions to upgrade the memory.

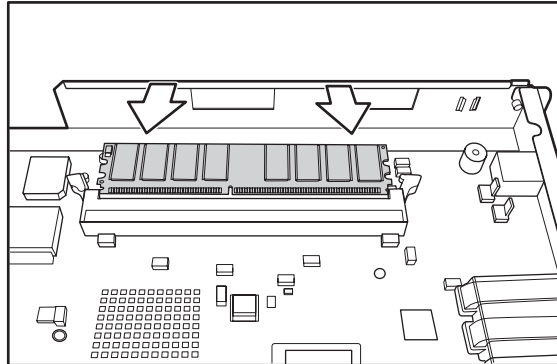
- 1 Loosen the screws holding the controller cage in place.
- 2 Slide the controller-cage out of the chassis.



- 3 Pull the DIMM retaining clips away from the DIMM; the DIMM springs out of the socket. Remove the DIMM.



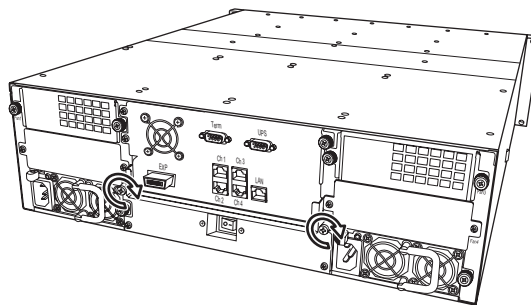
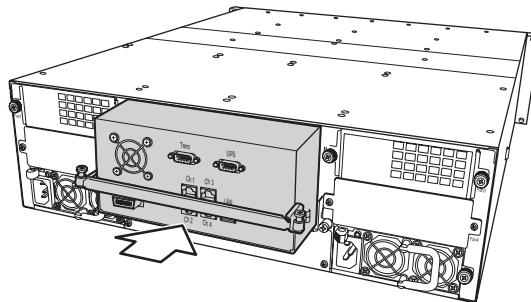
- 4 Gently push the new DIMM into the socket, then push the corners of the DIMM down. The DIMM is secured by the DIMM retaining clips.



**Note**

The DIMM module will fit in only one direction. Do not force the DIMM into place.

- 5 Push the controller cage back in, lower the handle, and tighten the retaining screws.





# Appendix

## Hardware Specifications

Item	Specification
Host Interface	Four channel RJ45 Network Connectors
Disk Interface	SAS
Dimensions	132 mm (H) x 485 mm (W) x 565 mm (D)
Weight	24 Kg without disks
RAID Functions	<ul style="list-style-type: none"><li>• Raid levels: JBOD, 0, 1, 0+1, 3, 5, 10, 30, 50, 6, 60</li><li>• Hot spare support</li><li>• Disk hot swapping with automatic online rebuilding</li><li>• Multiple RAID (max. 8)</li></ul>
Disk Array Functions	<ul style="list-style-type: none"><li>• O/S independent and transparent</li><li>• 1GB ~ 2 GB DDR II 400/533 DIMM</li><li>• LCD panel operation indicator</li><li>• Audible alarm/disable alarm</li><li>• LED indicator on disk failures</li></ul>
Management IO connectors	<ul style="list-style-type: none"><li>• 1 x RS-232 Serial port (115200, 8, N, 1)</li><li>• 1 x RJ-45 Ethernet port (10/100 Mbps)</li></ul>
Power Supply	<ul style="list-style-type: none"><li>• Redundant 1 + 1, 460 Watt</li><li>• 100 - 240 VAC, 47-63 Hz, 8~4A +/- 10%</li><li>• Over voltage, current, power, and short circuit protection</li><li>• LED indicates power status</li><li>• Operating temperature: 5°C ~ 40°C</li><li>• Operating humidity: 10 ~ 85% (non condensing)</li><li>• Output: +5V, +3.3V, +12V</li></ul>
Warranty	3 year warranty
Safety	UL, CE and FCC Class B

## SS-6603S SAS Disk Array System

Item	Specification	
Controller	CPU	Intel Xscale IOP342 (Chevelon dual core)
	Disk Interface	SAS
	Disk Channels	16 channels
	Memory Sockets	1
	Memory Size	Up to 2 GB
	LCD Interface	One LCD panel, 2 lines by 16 characters
	Button Interface	Up, Down, Enter, and ESC
	Backplane Interface (connector)	Compact-PCI
	Temperature Sensors	3
Backplane	Disk Channel Support	16 channels
	Disk Number Supported	16 disks
	Disk Connector Type	SAS
	Temperature Sensors	7
	Power Connector Type	2 x Slot-2
	Fan Connector Type	2 x Slot-2