

READ AND SAVE THESE INSTRUCTIONS

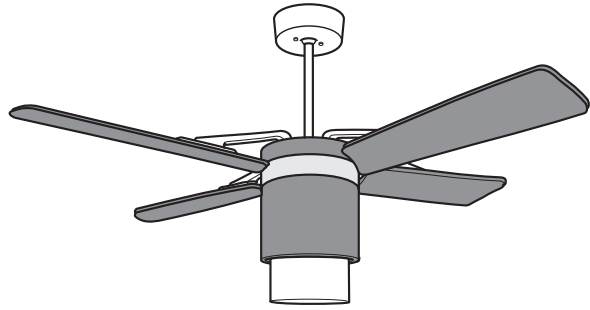


EMERSON™

TUREEN™

Damp Location Ceiling Fan Owner's Manual

Net Weight: 35.8 Lbs.



Model No.

CF980MAB 00

CF980MBX 00

EMX

LIMITED WARRANTY

What The Warranty Covers:

This warranty covers the motor and the other components and accessories of your Emerson ceiling fan against all defects in workmanship and materials. You must be the original purchaser or user of the product to be covered.

What The Period Of Coverage Is:

As it applies to the motor, this warranty will last for a lifetime of your ceiling fan. All other components and accessories are covered by this warranty for one year from the date you purchased your ceiling fan. ANY IMPLIED WARRANTY OF MERCHANTABILITY OR FITNESS FOR A PARTICULAR PURPOSE, MADE WITH RESPECT TO COMPONENTS AND ACCESSORIES IS ALSO LIMITED TO ONE YEAR.

What Will Emerson Electric Co. Do To Correct Problems:

Emerson Electric Co. will replace a defective Emerson Air Comfort Ceiling Fan motor, blade, component or other accessory at no charge to you. If repair of the motor or blades is not practical or possible within a reasonable time and no replacement can be provided, Emerson Electric Co. will refund the actual purchase price of your fan. We will ship the repaired product or replacement to you at no charge, but you are responsible for all costs or removal, reinstallation and shipping of the product to Emerson Electric Co.

How Can You Get Service:

YOU MUST HAVE PROOF OF YOUR PURCHASE OF THE CEILING FAN TO OBTAIN LIMITED WARRANTY SERVICE. KEEP YOUR RECEIPT OR OTHER PROOF OF PURCHASE. You can return the product to our factory or to your nearest authorized service center.

- To return the product to the factory, obtain a return authorization and service identification tag by writing to Air Comfort Products, Division of Emerson Electric Co., 8100 W. Florissant Ave., St. Louis, MO 63136. Include all model numbers shown on the product with your request.
- To return the product to an authorized service center, call 1-800-654-3545 for the address of the nearest authorized service center.

You will be responsible for all insurance, freight or other transportation charges to our factory or authorized service center. Your Emerson Air Comfort Ceiling Fan should be properly packed to avoid damage in transit since we will not be responsible for any such damage.

What Is Not Covered:

The glass globes and light bulbs of your ceiling fan are not covered by this warranty. This warranty also does not cover any defects, malfunctions or failures caused by:

- Repairs by persons not authorized by Emerson Electric Co.,
- Use of parts or accessories not authorized by Emerson Electric Co.,
- Mishandling, improper installation, modifications or damage to your ceiling fan while in your possession, or
- Unreasonable use, misuse, abuse, including failing to do reasonable and necessary maintenance, and normal wear and tear.

Additionally, this warranty and any implied warranty of merchantability or fitness for a particular purpose are voided when:

- The original purchaser or user ceases to own the product, or
- The fan is moved from its original point of installation.

This warranty is only valid within the 50 states of the United States and the District of Columbia. No other written or oral warranties apply, and no employee, agent, dealer or other person is authorized to give any warranties on behalf of Emerson Electric Co.

REPAIR, REPLACEMENT OR A REFUND ARE THE EXCLUSIVE REMEDIES AVAILABLE UNDER THIS WARRANTY AND EMERSON IS NOT RESPONSIBLE FOR DAMAGES OF ANY KIND, INCLUDING INCIDENTAL AND CONSEQUENTIAL DAMAGES. Incidental damages include but are not limited to such damages as loss of time and loss of use. Consequential damages include but are not limited to the cost of repairing or replacing other property which was damaged if this product does not work properly.

How State Law Relates To The Warranty:

Some states do not allow the exclusion or limitation of incidental or consequential damages so the above exclusion or limitation may not apply to you. This warranty gives you specific legal rights, and you may also have other rights which vary from state to state.

**FOR CANADA, THIS FAN MUST BE SECURED DIRECTLY TO THE BUILDING STRUCTURE/CEILING JOIST.
DO NOT SECURE THIS FAN TO AN OUTLET BOX.**

⚠ WARNING

WARNING: To avoid fire, shock, and serious personal injury, follow these instructions.

Safety Instructions

1. Read your owner's manual carefully and keep it for future reference
2. Before servicing or cleaning unit, switch power off at service panel and lock service panel disconnecting means to prevent power from being switched on accidentally. When the service disconnecting means cannot be locked, securely fasten a warning device, such as a tag, to the service panel.
3. Be careful of the fan and blades when cleaning, painting, or working near the fan. Always turn off the power to the ceiling fan before servicing.
4. Do not put anything into the fan blades while they are turning.
5. Do not operate reversing switch until fan blades have come to a complete stop.

Additional Safety Instructions for Installation

1. To avoid possible shock, be sure electricity is turned off at the fuse box before wiring, and do not operate fan without blades.
2. All wiring must be in accordance with the National Electrical Code "ANSI/NFPA 70-1999" and Local Electrical Codes. Use the National Electrical Code if Local Codes do not exist. The ceiling fan must be grounded as a precaution against possible electrical shock. Electrical installation should be made or approved by a licensed electrician.
3. The outlet box and joist must be securely mounted and capable of reliably supporting at least 50 pounds. Use only U.L. outlet boxes listed as "Acceptable for Fan Support of 50 lbs. or less", and use the mounting screws provided with the outlet box. Most outlet boxes commonly used for support of light fixtures are not acceptable for fan support and may need to be replaced. Consult a qualified electrician if in doubt.
4. The downrod furnished with the fan provides the minimum recommended floor-to-fan blade clearance for an 8 foot ceiling.
5. The fan must be mounted with the fan blades at least 7 feet from the floor to prevent accidental contact with the fan blades.
6. Follow the recommended instructions for the proper method of wiring your ceiling fan. If you do not know enough about electrical wiring, have your fan installed by a licensed electrician.

CAUTION: The halogen bulb operates at high internal pressure and high surface temperatures and could shatter unexpectedly. The halogen bulb generates UV (ultraviolet) radiation that may cause skin and eye irritation with prolonged exposure. To avoid risks of burns or other injury, assure power is off before attempting to install or replace halogen bulb. Do not operate fan/light without lower glass in place.

7. This fan uses a halogen bulb. Do not touch the bulb with bare hands. Fingerprints may result in shorter bulb life. Remove fingerprints with alcohol.
8. Use only with light kits marked Suitable For Use in Damp Locations.

NOTE: This fan is suitable for use with solid-state speed controls.

WARNING: To reduce the risk of fire or electrical shock, this fan should only be used with fan speed control, Model No. SW105, manufactured by Rhine Electric Co., Ltd.

WARNING: This product is designed to use only those parts supplied with this product and/or any accessories designated specifically for use this product by Emerson Electric Co. Substitution of parts or accessories not designated for use with this product by Emerson could result in personal injury or property damage.

WARNING: To reduce the risk of personal injury, do not bend the blade flange when installing the blade flanges, balancing the blades or cleaning the fan. Do not insert foreign objects in between rotating fan blades.

WARNING: To reduce the risk of electrical shock, this fan must be installed with a general use, isolating control/switch.

THIS FAN IS SUITABLE FOR DAMP LOCATIONS SUCH AS COVERED PORCHES, COVERED PATIOS, AND COVERED DECKS. . . ANYWHERE THERE IS A ROOF OVERHEAD.

DATE CODE: _____

The date code of this fan may be found on the box, stamped in ink on a white label. You should record this data above and keep it in a safe place for future use.

This Manual Is Designed to Make it as Easy as Possible for You to Assemble, Install, Operate and Maintain Your Ceiling Fan

Tools Needed for Assembly

One Phillips head screwdriver
One stepladder

Installed Wire Length

Up to 50 ft.
50-100 ft.

Wire Size A.W.G.

14
12

MATERIALS

Wiring, outlet box and box connectors must be of type required by the local code. The minimum wire would be a 3-conductor (2-wire with ground) of the following sizes:

⚠ WARNING

Before assembling your ceiling fan, refer to section on proper method of wiring your fan (page 8). If you feel you do not have enough wiring knowledge or experience, have your fan installed by a licensed electrician.

Unpacking Instructions

For your convenience, check-off boxes are provided next to each step. As each step is completed, place a check mark in the box. This will insure that all steps have been completed and will be helpful in finding your place should you be interrupted.

⚠ WARNING

Do not install or use fan if any part is damaged or missing. Call Toll-Free:

1-800-654-3545

⚠ WARNING

This product is designed to use only those parts supplied with this product and/or any accessories designated specifically for use with this product by Emerson Electric Co. Substitution of parts or accessories not designated for use with this product by Emerson Electric Co. could result in personal injury or property damage.

NOTE: Place the parts from the loose parts bags in a small container to keep them from being lost. If any parts are missing, contact your local retailer or catalog outlet for replacement before proceeding.

1. Open styrofoam unit containing fan. Remove top half of styrofoam unit. Remove parts and check to see that you have received the following parts:

NOTE: If you are uncertain of part description, refer to exploded view illustration.

- a. One ceiling cover
- b. One hanger bracket
- c. One hanger ball/downrod assembly
- d. One coupling cover
- e. Fan motor and housing assembly
- f. Four blade flanges
- g. Four fan blades
- h. One light kit assembly
- i. Three 50-watt, MR-16, GU-10 halogen bulbs
- j. One light kit glass
- k. One SW114 wall control/3 wall control covers
- l. One loose parts bag containing:
 - 1. Thirteen #10-24 x 1/4" oval head blade screws
 - 2. Nine 1/4-20 x 1/2" oval head flange screws
 - 3. Two 1-1/4" threaded studs
 - 4. Two knurled knobs
 - 5. Two lockwashers
 - 7. One hairpin clip
 - 8. One clevis pin
 - 9. Four #10-24 x 1" lower housing screws
 - 10. Four #10-24 x 5/16" pan head screws
- m. One SW105 receiver
- n. One lower housing



Electrical Requirements

Your new ceiling fan will require a grounded electrical supply line of 120 volts AC, 60 Hz, 15 amp circuit.

The outlet box must be securely anchored and capable of withstanding a load of at least 50 pounds.

⚠ WARNING

To reduce the risk of fire, electric shock, or personal injury, mount fan to outlet box marked "Acceptable for Fan Support of 50 lbs. or less", and use screws supplied with outlet box. Most outlet boxes commonly used for support of light fixtures are not acceptable for fan support and may need to be replaced. Consult a qualified electrician if in doubt.

If your fan is to replace an existing ceiling light fixture, turn electricity off at the main fuse box at this time and remove the existing light fixture.

⚠ WARNING

Turning off wall switch is not sufficient. To avoid possible electrical shock, be sure electricity is turned off at the main fuse box before wiring. All wiring must be in accordance with National and Local codes and the ceiling fan must be properly grounded as a precaution against possible electrical shock.

Ceiling Fan Procedures

General

Your Emerson Ceiling Fan/Light Wall Control consists of a wall mount transmitter. The SW114 transmitter works in conjunction with the SW105 Receiver (purchased separately). The receiver is mounted under the fan ceiling cover. The wall control is designed to separately control your ceiling fan speed, direction, uplight and downlight intensity, page 11.

Code switches in the wall control and receiver may be set in 16 different positions. If your fan and light go on and off without using your control, you may be getting interference from other transmitters such as garage door openers, car alarms or security systems. To remedy this situation, simply change the combination code in your wall control and receiver.

- 1. Remove the fan motor and housing assembly from the styrofoam packaging and position it so that the bottom of the motor is facing you.
- 2. Position the bottom styrofoam section on a flat surface exposing the large center hole for fan motor placement. Place the fan motor housing into the hole so that the bottom of the motor is facing up. Position the lower housing over the fan motor (Figure 1). The styrofoam section will hold the assembly while you perform the following steps.

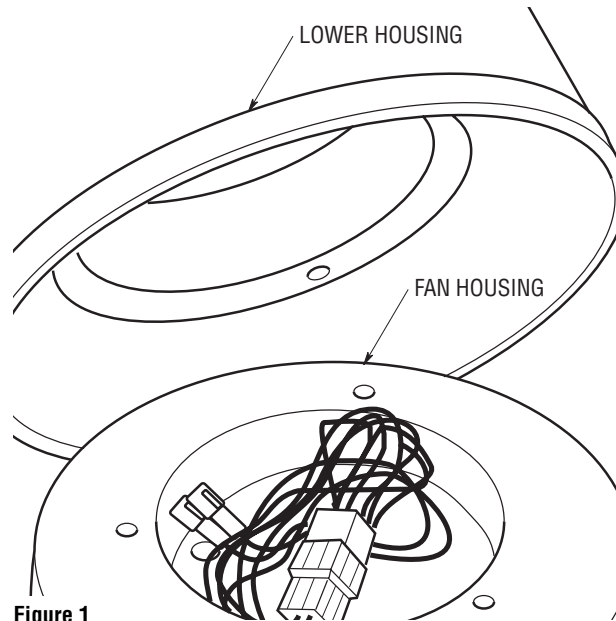


Figure 1

- 3. Install the lower housing onto the fan motor by orientating the three protruding keys into the slots on the lower housing to secure. Fasten the lower housing onto the fan motor using the three #10-24 x 1" lower housing screws (Figure 2).

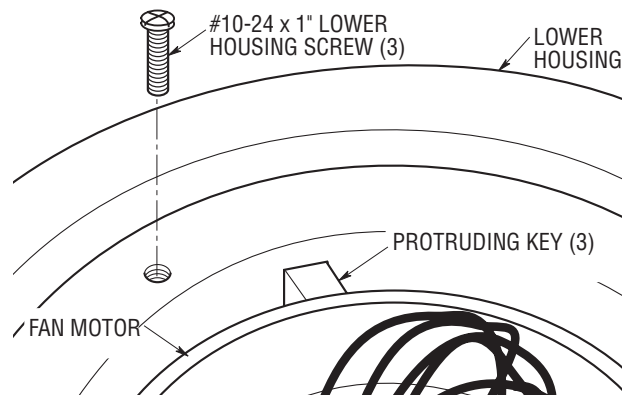


Figure 2

- 4. Connect the fan motor blue wire to the blue wire from the light kit assembly; connect the fan motor white wire to the white wire from the light kit assembly (Figure 3).

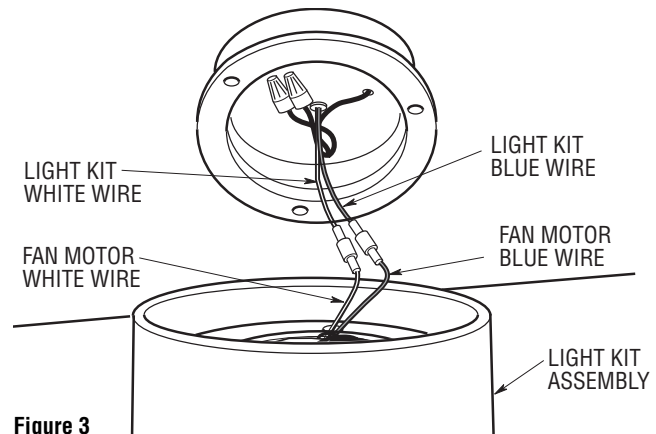


Figure 3

CAUTION: Before installing and tightening the screws, be sure there are no wires pinched between the bottom of the light kit assembly and fan motor.

- 5. Install the three #10-24 x 5/16" pan head screws to secure the light kit assembly to the lower housing (Figure 4).

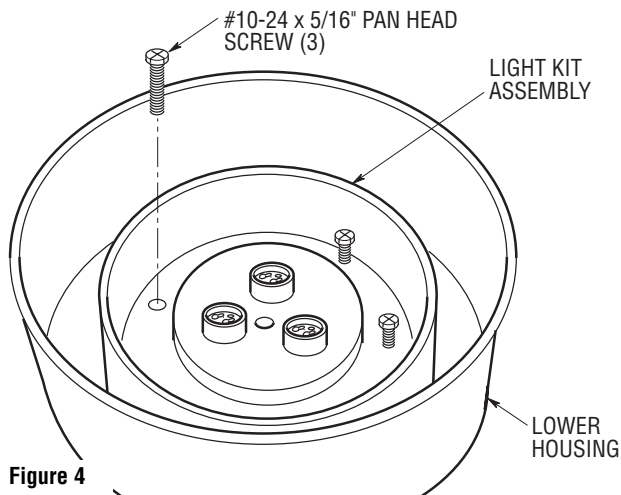


Figure 4

- 6. Carefully turn the partially assembled fan motor housing onto the styrofoam section. The styrofoam section will hold the assembly while you perform the following steps.
- 7. Remove the hanger ball from the downrod by loosening the setscrew in the hanger ball until the ball falls freely down the downrod (Figure 5). Remove the pin from the downrod, then remove the hanger ball. Retain the pin and hanger ball for reinstallation in Step 15.

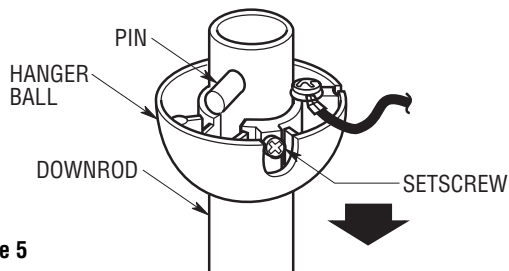


Figure 5

- 8. Separate, untwist and unkink the three motor leads. Route the motor leads through the downrod and seat the downrod in the motor coupling (Figure 6).
- 9. Align the clevis pin holes in the downrod with the holes in the motor coupling. Install the clevis pin and secure with the hairpin clip (Figure 6). (Pin and clip are supplied in loose parts bag.) The clevis pin must go through the holes in the motor coupling and the holes in the downrod. Push the straight leg of the hairpin clip through the hole near the end of the clevis pin until the curved portion of the hairpin clip snaps around the clevis pin. The hairpin clip must be properly installed to prevent the clevis pin from working loose. Pull the downrod to make sure the clevis pin is properly installed.

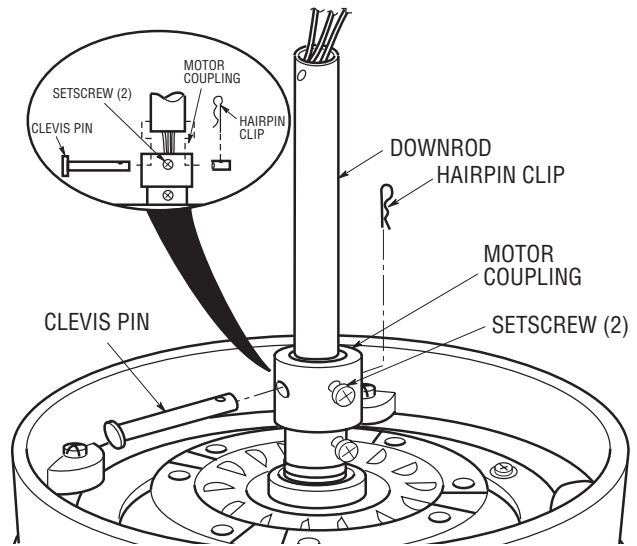


Figure 6

WARNING

It is critical that the clevis pin in the motor coupling is properly installed and the setscrew is securely tightened. Failure to verify that the pin and setscrew are properly installed (as shown in Figure 2) could result in the fan falling.

- 10. Install the two setscrew (supplied) in the motor coupling (Figure 6). While pulling up on the downrod, tighten the setscrews using the setscrew wrench (supplied).
- 11. Mount the blade flanges to fan blades using three #10-24 x 1/4" oval head blade screws per blade (supplied) (Figure 7). Repeat for all blade/flange assemblies.

NOTE: The setscrews must be properly installed as described above, or fan wobble could result.

NOTE: Be sure to position the flange onto the blade with the ribs side up.

WARNING

To reduce the risk of personal injury, do not bend the blade flange when installing the blade flanges, balancing the blades or cleaning the fan. Do not insert foreign objects in between rotating fan blades.

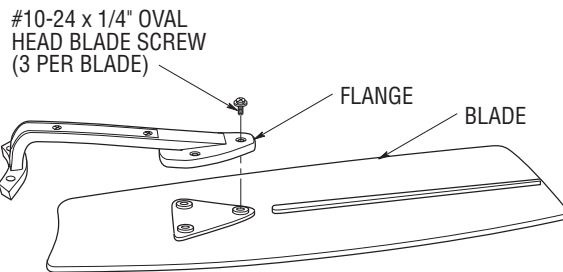


Figure 7

NOTE: Take care not to scratch fan housing when installing blades.

- 12. Position one of the blade assemblies onto the motor hub and secure blade assembly using two 1/4-20 x 1/2" oval head flange screws (provided). Repeat for all blade assemblies (Figure 8).

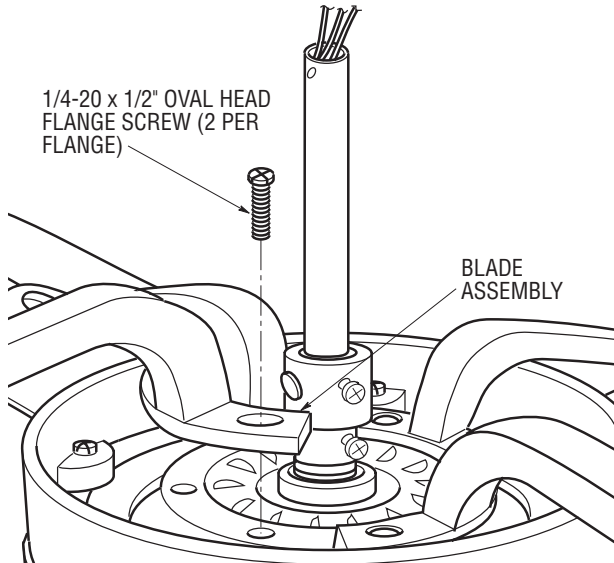


Figure 8

- 13. Slide the coupler cover over the downrod and position it to cover the motor coupling (Figure 9).
- 14. Position the ceiling cover over the downrod. Be sure the cover is oriented correctly, with the large opening at the top (Figure 9).

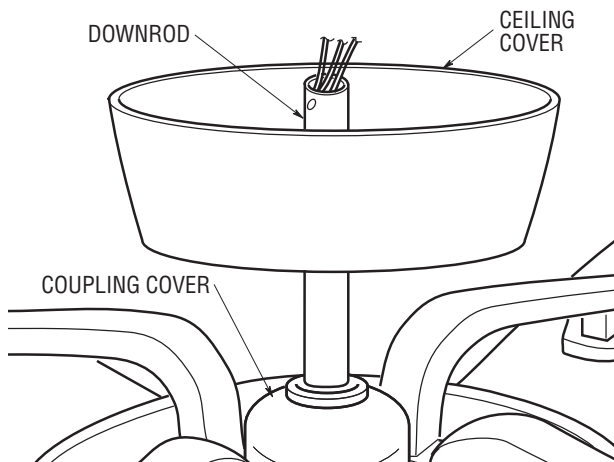


Figure 9

⚠ WARNING
It is critical that the pin in the hanger ball is properly installed and the setscrews securely tightened. Failure to verify that the pin and setscrews are properly installed could result in the fan falling.

- 15. Reinstall the hanger ball on the downrod (Figure 10) as follows. Route the motor leads through the hanger ball and slide the hanger ball over the downrod. Install the pin through the holes at the top of the downrod and slide the hanger ball up the downrod, aligning the ball so the pin is captured in the groove in the top of the hanger ball. Pull the hanger ball up tight against the pin and securely tighten the setscrew in the hanger ball. A loose setscrew could create fan wobble.
- 16. The fan comes with blue, black and white leads that are 80-inches long. Before installing the fan, measure up approximately 6 to 9-inches above top of hanger ball/downrod assembly. Cut off excess leads and strip back insulation 1/2-inch from end of leads.

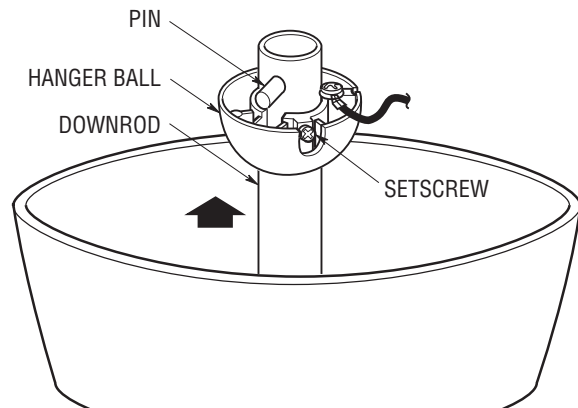


Figure 10

- 17. You have now completed the assembly of your new ceiling fan. You can now proceed with hanging and wiring your fan.

How to Hang Your Ceiling Fan

⚠ WARNING

The fan must be hung with at least 7' of clearance from floor to blades (Figure 11).

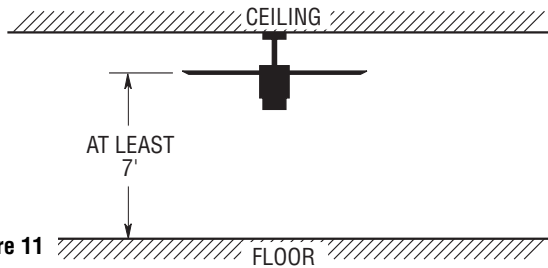


Figure 11

⚠ WARNING

The outlet box and joist must be securely mounted and capable of supporting at least 50 lbs. Use only a U.L. outlet box listed as "Acceptable for Fan Support of 50 lbs. or less".

1. Securely attach the hanger bracket to the outlet box using the two screws supplied with the outlet box. (Figure 12.)

⚠ WARNING

Hanger bracket must seat firmly against outlet box. If the outlet box is recessed, remove wall board until bracket contacts box. If bracket and/or outlet box are not securely attached, the fan could wobble or fall.

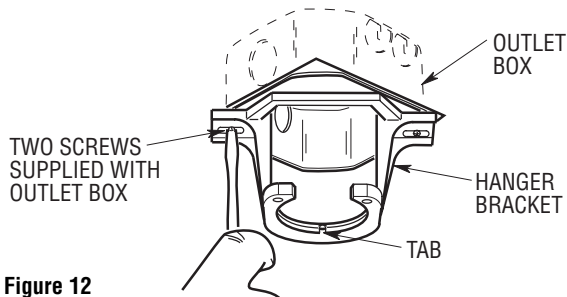


Figure 12

2. Carefully lift the fan and seat the hanger ball/downrod assembly on the hanger bracket that was just attached to the outlet box (Figure 13). Be sure the groove in the ball is lined up with the tab on the hanger bracket (Figure 12).

⚠ WARNING

Failure to seat tab in groove could cause damage to electrical wires and possible shock or fire hazard.

NOTE: CEILING COVER, SUPPLY WIRES AND FAN WIRES OMITTED FOR CLARITY.

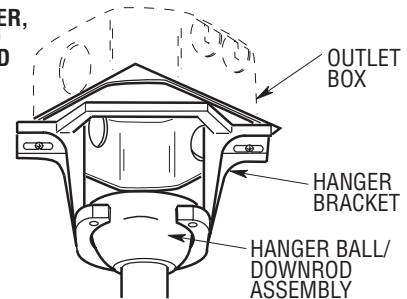



Figure 13

⚠ WARNING

To avoid possible fire or shock, do not pinch wires between the hanger ball/downrod assembly and hanger bracket.

How to Wire Your Ceiling Fan

If you feel that you do not have enough electrical wiring knowledge or experience, have your fan installed by a licensed electrician.

 WARNING
<p>Turning off wall switch is not sufficient. To avoid possible electrical shock, be sure electricity is turned off at the main fuse or circuit breaker box before wiring. All wiring must be in accordance with National and Local codes and the ceiling fan must be properly grounded as a precaution against possible electrical shock.</p>

CAUTION: To reduce the risk of electrical shock, disconnect the electrical supply circuit before installing the fan and light kit or receiver.

- 1. Pull the wire leads, coming from the end of the downrod, and the supply wires through the open side of the hanger bracket. (Figure 14).
- 2. Position the SW105 Receiver (supplied) in the ceiling cover so that the flat side of the receiver faces up and the open portion of the receiver is to the right, as shown in Figure 14.

- 3. Using wire connectors (supplied), make wiring connections as follows (Figure 14 and 15):
 - a. Connect the white fan wire and the white supply wire to the white receiver wire (AC IN/ MOTOR N).
 - b. Connect the black fan wire to the black receiver wire (TO MOTOR L).
 - c. Connect the black supply wire to the black/white receiver wire (AC IN L).
 - d. Cut off the ends of the blue and yellow receiver wires and strip back insulation 1/2-inch from the ends of the wires.
 - e. Connect the blue fan wire to the blue receiver wire (BOTTOM LIGHT).
 - f. Connect the green ground wires from the hanger bracket and the hanger ball to the supply ground wire (bare or green).

NOTE: Do not use capped yellow wire.

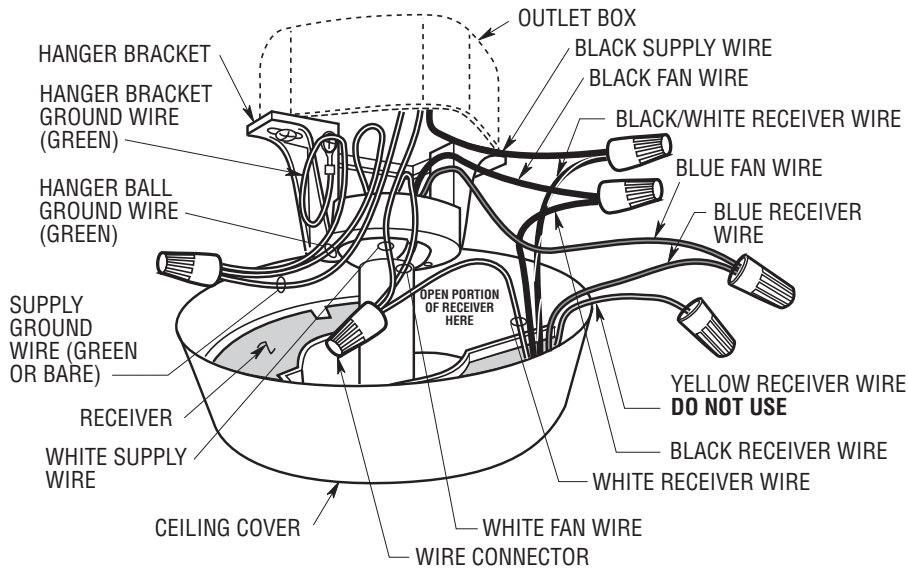


Figure 14

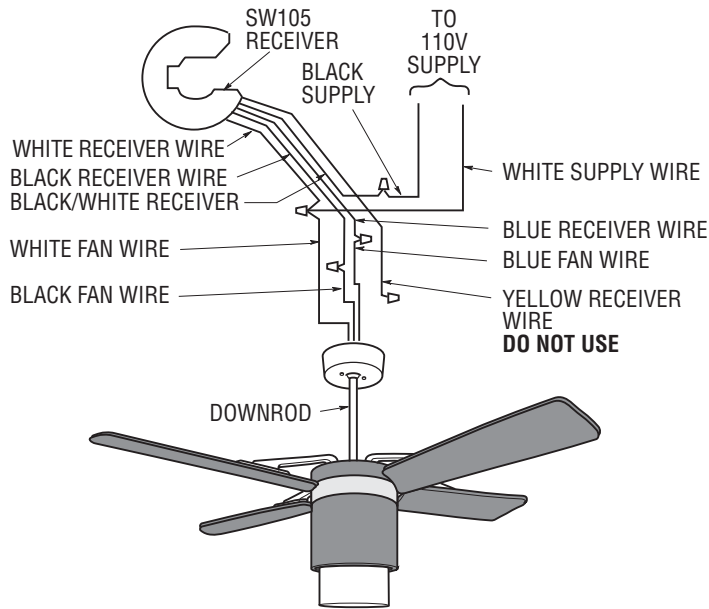


Figure 15

⚠ WARNING
 Check to see that all connections are tight, including ground, and that no bare wire is visible at the wire connectors, except for the ground wire. Do not operate fan until blades are in place. Noise and fan damage could result.

- 4. Carefully turn the wires upward and insert them up through the open side of the hanger bracket and into the outlet box. Push the green and white wires into one side of the outlet box; push the black, blue and yellow wires into the other side of the outlet box.

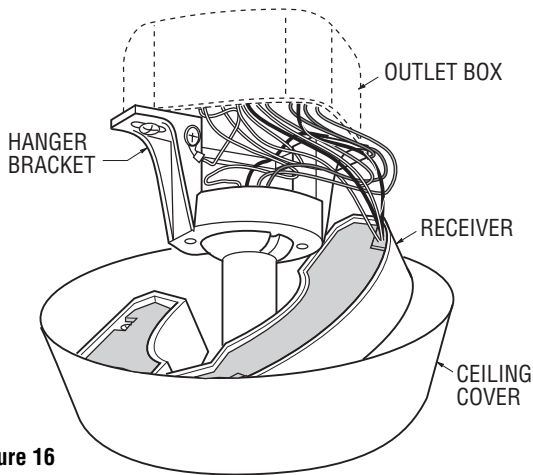


Figure 16

- 5. Screw the two 1-1/4" threaded studs (supplied) into the tapped holes in the hanger bracket (Figure 17).
- 6. Lift the ceiling cover up to the threaded studs and turn until studs protrude through the holes in the ceiling cover (Figure 17).

- 7. Secure the ceiling cover in place by sliding lockwashers (supplied) over the threaded studs and installing the two knurled knobs (supplied). (Figure 17.) Tighten the knurled knobs securely until the ceiling cover fits snugly against the ceiling and the hole in the ceiling cover is clear of the downrod. Your fan is now wired to be turned on and off from the fan switch.

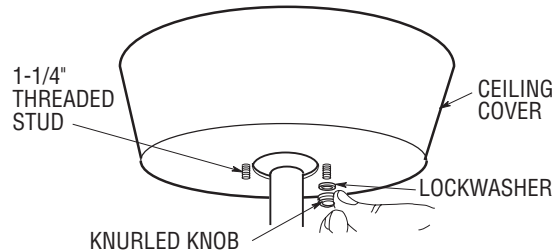


Figure 17

⚠ WARNING
 To avoid possible fire or shock, make sure that the electrical wires are completely inside the outlet box and not pinched between the ceiling cover and the ceiling.

Halogen Bulb and Glass Installation

1. Do not touch the new 50-watt (maximum) MR-16, GU-10 bulb with your bare fingers; using a cloth or soft gloves to hold the bulb, gently push it into the socket and twist to lock the lamp into the socket (Figure 18). If there is any doubt that the bulb may have been contaminated by your touch, you should clean the bulb before its first use. Take a clean cloth dipped in a small amount of rubbing/isopropyl alcohol and gently brush off the bulb surface. If the lamp is hot, wait 30 minutes before cleaning.

CAUTION: To reduce the risk of electric shock, burns or other injury, disconnect the electric supply circuit to the fan before attempting to install or replace the halogen bulb.

CAUTION: To not touch halogen bulbs with bare hands. Fingerprints may result in shorter bulb life. Remove fingerprints with alcohol.

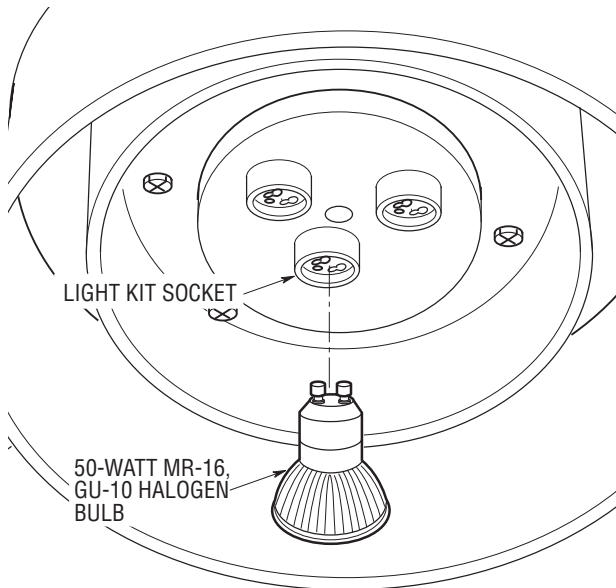


Figure 18

2. Place the glass onto the light kit assembly aligning the three flat areas on the top flange of the glass with the three pins on the inside of the assembly (Figure 19). Then turn the glass clockwise until it stops turning.

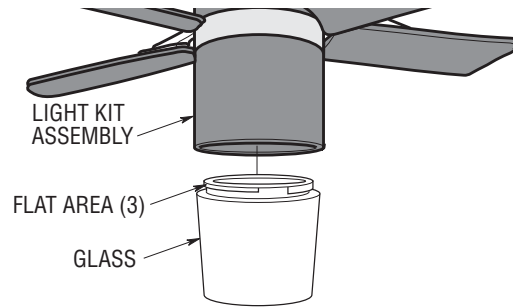


Figure 19

3. Your ceiling fan is now installed and wire to be controlled by your remote control system.

Setting Operating Frequency of Wall Control and Receiver (Figure 20)

Your wall control and receiver have code switches which must be set in one of 16 possible code combinations. The four levers (numbered 1, 2, 3, and 4) on the switches are factory-set in the ON (up) position. Change the switch settings as follows:

1. Slide the four switch levers in the wall control to your choice of ON (up) or down positions. Use a ball-point pen or small screwdriver and slide the levers firmly up or down.
2. In the receiver, slide the four switch levers to the same positions as set in the wall control. Make sure the levers on both switches are in the same positions, otherwise the fan will not operate.

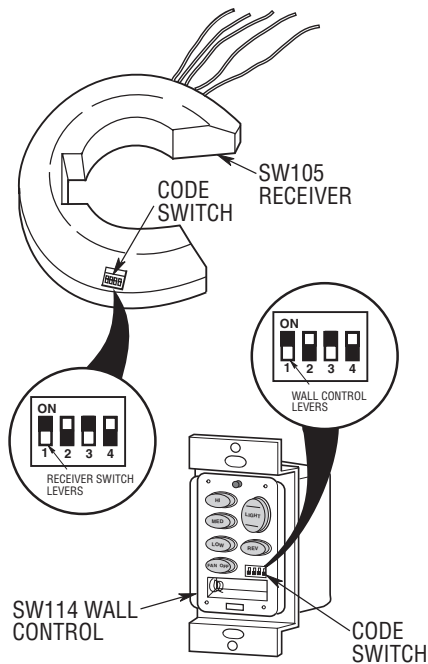


Figure 20

Installation of Wall Control

⚠ WARNING

Turning off wall switch is not sufficient. To avoid possible electrical shock, be sure electricity is turned off at the main fuse or circuit breaker box.

The SW114 wall control transmits the command signals via radio waves to the SW105 receiver installed in the ceiling fan ceiling cover. The SW105 receiver is required for the SW114 wall control to function. Power for the SW114 wall control comes from the 12V battery, located in the wall control.

Replacement 12V batteries recommended are Duracell MN21 and Eveready A23.

1. Install the 12V battery (supplied) into the wall control (Figure 21).
2. The SW114 wall control is supplied with a white, ivory or almond color cover. Choose the style that best suits your needs and snap the cover onto the wall control (Figure 21).

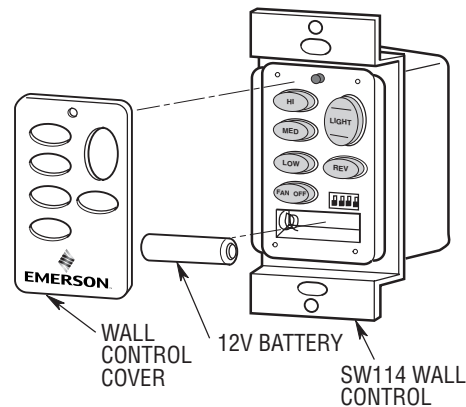


Figure 21

3. Install the wall control onto the outlet box using the supplied screws (Figure 22).
4. Install decorator wall plate (not included) using the two screws provided with wall plate (Figure 22).

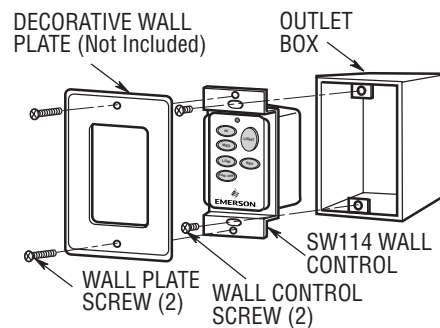


Figure 22

Operating Your Ceiling Fan

IMPORTANT

Fan installation must be completed, including the installation of the fan blades, before testing of the wall control.

Your SW114 Fan/Light Wall Control (Figure 23) has full control of your fan, lights, and airflow direction.

- 1. To set the desired fan speed, push the HI, MED, or LOW buttons to operate your fan on high, medium or low speed (See Figure 23).
- 2. To reverse the direction the fan is turning, press the REV button. The direction the fan turns will change each time the REV button is pressed.
- 3. To turn your fan off, press the FAN OFF button.
- 4. To set the level of light brightness, press and hold the LIGHT button. The light brightness will continue to increase then decrease while the button is held down. When the light is at the desired brightness, release the button.
- 5. To turn the light on or off, press and release the LIGHT button. The light will turn on at the light level previously set (See Step 4).

Red indicator light turns on when any button is pressed. If the light does not come on, replace the battery.

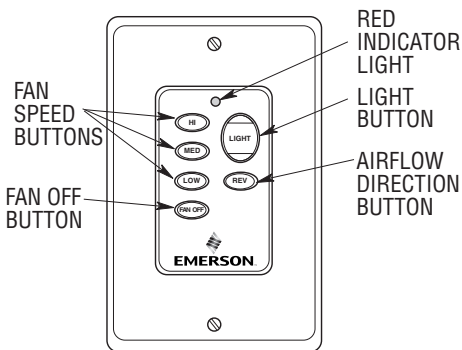


Figure 23

Trouble Shooting Wall Control

Fan/Light Fails to Operate

- Check that the wall switch for the ceiling fan is in the “ON” position.
- Check that the battery is good (red indicator light should light when any button is pressed).
- Check that the receiver is wired properly.
- Check that both transmitter and receiver code switches are set in the same position.

Maintenance

IMPORTANT CARE INSTRUCTIONS for your Ceiling Fan

Periodic cleaning of your new ceiling fan is the only maintenance that is needed.

When cleaning, use only a soft brush or lint free cloth to avoid scratching the finish.

Abrasive cleaning agents are not required and should be avoided to prevent damage to finish.

⚠ WARNING

Do not use water when cleaning your ceiling fan. It could damage the motor or the blades and create the possibility of an electrical shock.

Accessories

1. Downrod Extension Kits (see store or catalog).
2. Ceiling Fan Controls (see store or catalog).

⚠ WARNING

The use of any other control not specifically approved for this fan could result in fire, shock and personal injury.

⚠ WARNING

This product is designed to use only those parts supplied with this product and/or any accessories designated specifically for use with this product by Emerson Electric Co. Substitution of parts or accessories not designated for use with this product by Emerson Electric Co. could result in personal injury or property damage.

INSTRUCTION TO THE USER (if device contains a digital device)

This equipment has been tested and found to comply with the limits for a class B digital device, pursuant to part 15 of the FCC Rules. These limits are designed to provide reasonable protection against harmful interference in a residential installation. This equipment generates, uses and can radiate radio frequency energy and if no installed and used in accordance with the instructions, may cause harmful interference to radio communications. However, there is not guarantee that interference will not occur in a particular installation. If this equipment does cause harmful interference to radio or television reception, which can be determined by turning the equipment off and on, the user is encouraged to try to correct the interference by one or more of the following measures:

- Reorient or relocate the receiving antenna.
- Increase the separation between the equipment and receiver.
- Connect the equipment into an outlet on a circuit different from that to which the receiver is connected.
- Consult the dealer or an experienced radio/TV technician for help.

This equipment has been certified to comply with the limits for a class B computing device, pursuant to FCC Rules. In order to maintain compliance with FCC regulations, shielded cables must be used with this equipment. Operation with non-approved equipment or unshielded cables is likely to result in interference to radio and TV reception. The user is cautioned that changes and modifications made to the equipment without the approval of manufacturer could void the user's authority to operate this equipment.

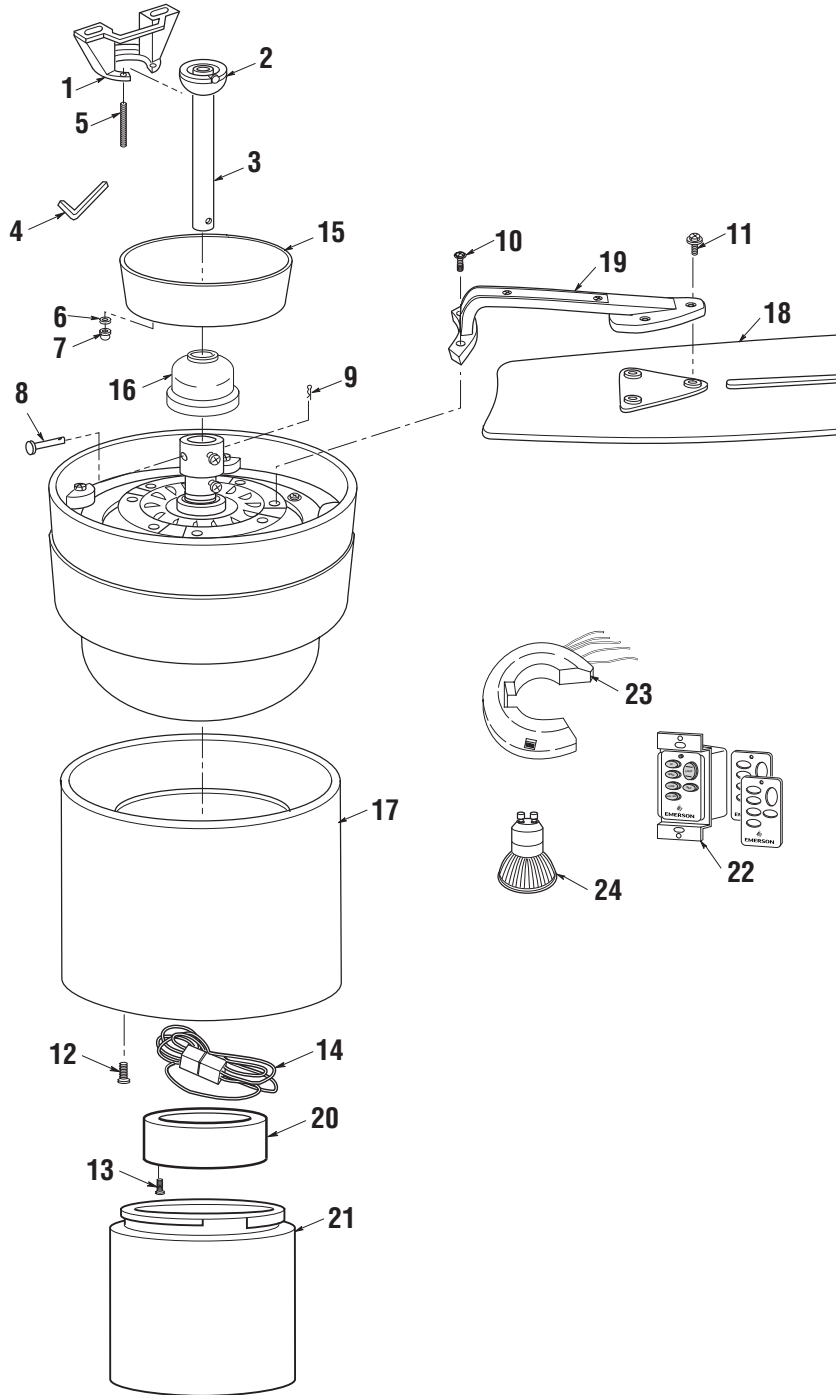
This Class B digital apparatus meets all requirements of the Canadian Interference-Causing Equipment Regulations.

⚠ WARNING: FOR YOUR OWN SAFETY TURN OFF POWER AT FUSE BOX OR CIRCUIT BREAKER BEFORE TROUBLE SHOOTING YOUR FAN.

Trouble Shooting

TROUBLE	PROBABLE CAUSE	SUGGESTED REMEDY
1. Fan will not start.	1. Fuse or circuit breaker blown. 2. Loose power line connections to the fan, or loose switch wire connections in the switch housing. 3. Fan/Light Wall Control is OFF. 4. Code switches in wall control/receiver are not set in the same position.	1. Check main and branch circuit fuses or circuit breakers. 2. Check line power connections to fan and switch wire connections in the switch housing. ▲ WARNING: Make sure main power is turned off. 3. Turn ON Fan/Light Wall Control. 4. Check that both code switches are set in the same positions.
2. Fan sounds noisy.	1. Blades not attached to fan. 2. Screws securing fan blades to motor are loose. 3. Wire connectors inside switch housing rattling. 4. Loose screws in motor housing.	1. Attach blades to fan before operating. 2. Check to make sure the screws which attach the fan blades to the motor are tight. 3. Check to make sure wire connectors in switch housing are not rattling against each other or against the interior wall of the switch housing. ▲ WARNING: Make sure main power is turned off. 4. Check to make sure all screws in motor housing are snug (not over-tight)
3. Fan wobbles excessively.	1. Setscrew in motor coupling is not tightened securely. 2. Setscrews in the hanger ball/downrod assembly are loose. 3. Screws securing fan blade to motor are loose. 4. Fan blades are not seated properly. 5. Hanger bracket and/or ceiling outlet box is not securely fastened 6. Fan blades out of balance.	1. Raise coupling cover and tighten setscrew securely. 2. Tighten the setscrews in the hanger ball/downrod assembly. 3. Check to be sure screws which attach the fan blade to the motor are tight. 4. Check to be sure the fan blade flanges seat firmly and uniformly to the surface of the motor. If blades are seated incorrectly, loosen the blade screws and retighten. 5. Tighten the hanger bracket screws to the outlet box, and/or secure outlet box. 6. Interchanging an adjacent (side-by-side) blade pair can redistribute the weight and result in smoother operation. Or use supplied balancing kit to balance blades.

Repair Parts



Repair Parts Listing

Key No.	Description	Part Numbers	
		Model No. CF980MBX 00	Model No. CF980MAB 00
*	Hanger Pack, Consisting of:	761655-67	761655-67
1	Hanger Bracket	—	—
2	Hanger Ball	—	—
3	Downrod, 8"	—	—
*	Parts Bag Containing:	763415	763415
4	Setscrew Wrench	—	—
5	Threaded Stud, 1-1/4" (2)	—	—
6	Lockwasher (2)	—	—
7	Knurled Knob (2)	—	—
8	Pin, Clevis (1)	—	—
9	Clip, Hairpin (1)	—	—
10	Screw, 1/4-20 x 1/2" Oval Head Flange (9)	—	—
11	Screw, #10-24 x 1/4" Oval Head Blade (13)	—	—
12	Screw, #10-24 x 1" Lower Housing (4)	—	—
13	Screw, #10-24 x 5/16" Pan Head (4)	—	—
14	Wiring Harness	763413	763413
15	Ceiling Canopy	763400-BS	763400-BS
16	Coupler Cover	763401-BS	763401-BS
17	Lower Housing	763409-MBX	763409-MAB
18	Blade Assembly (4 per set)	763405-MBX	763405-MAB
19	Flange Assembly (4 per set)	763402-BS	763402-BS
20	Light Kit Assembly	763410	763410
21	Glass	763414	763414
22	SW114 Wall Control	763497	763497
23	SW105 Receiver	762401	762401
24	50-Watt MR-16, GU-10 Halogen Bulb	763494	763494
—	Owner's Manual	BP7353	BP7353

Before discarding packaging material, be certain all parts have been removed.

HOW TO ORDER REPAIR PARTS

WHEN ORDERING REPAIR PARTS, ALWAYS GIVE THE FOLLOWING INFORMATION:

- PART NUMBER
- PART DESCRIPTION
- NAME OF ITEM
- MODEL NUMBER

The model number of your Fan will be found on a label attached to the top housing.
For repair parts, phone 1-800-654-3545.



EMERSON

Air Comfort Products

DIVISION OF EMERSON ELECTRIC CO.
8100 W. Florissant • St. Louis, MO 63136